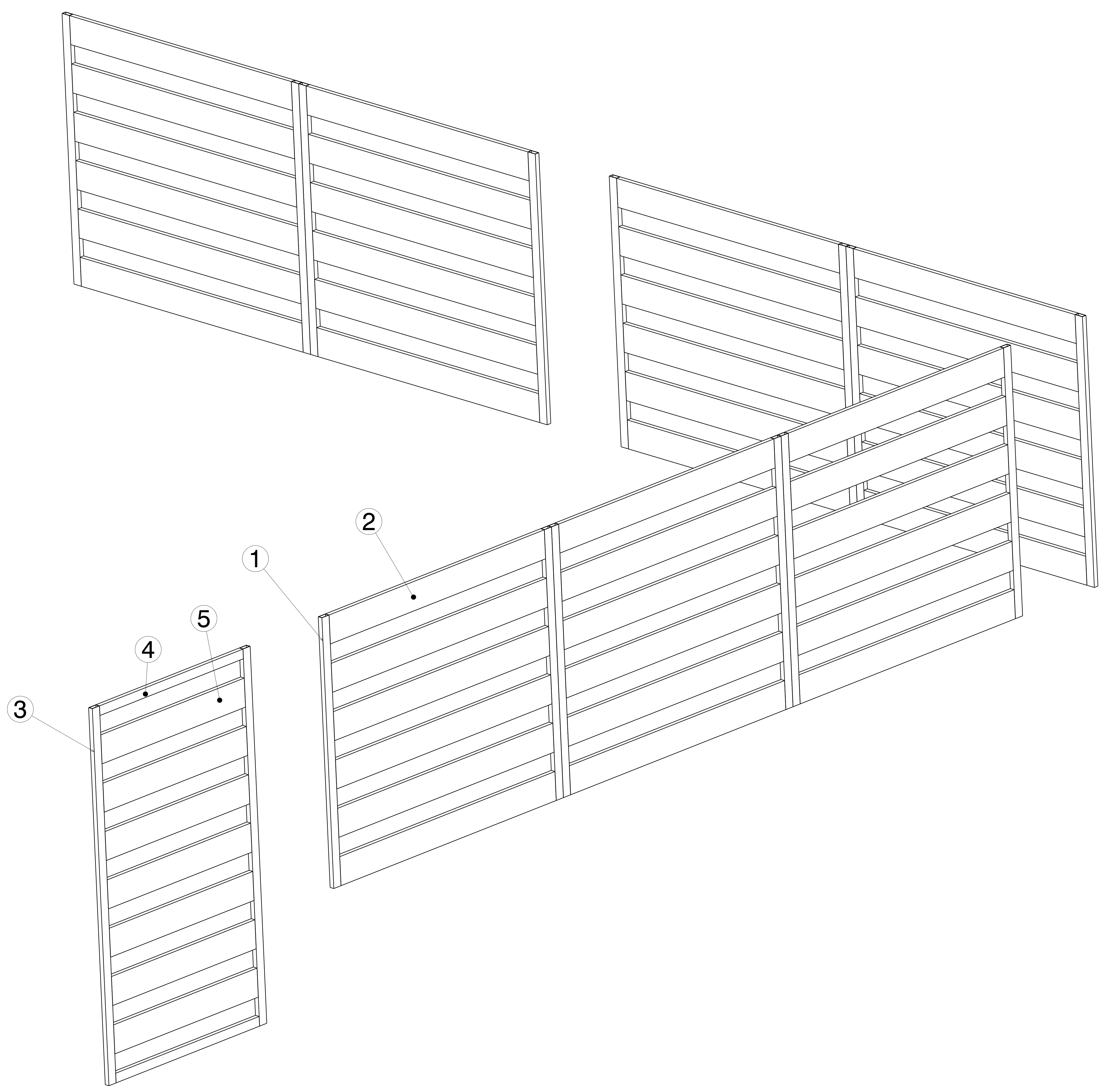


| REV/DATE | DESCRIPTION |
|----------------|------------------|
| 00 / 24MAY2021 | INITIAL REVISION |

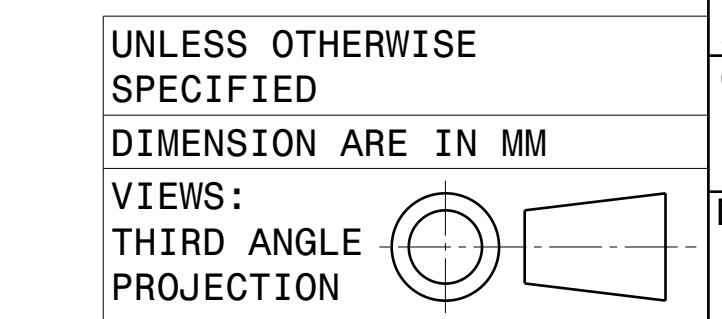
- NOTES:
1. (⊥) ALL VERTICAL SUPPORTS ARE PERPENDICULAR.
 2. □ FLATNESS OF .5MM IS APPLIED BY DEFAULT.
 3. ⚡ WELD BEAD OF 2MM RADIUS IS FOLLOWED.
 4. ∇ SURFACE FINISH MEDIUM TO SMOOTH IS USED.
 5. ALL TUBES ARE AS PER APL APOLLO STANDARD. CHANGES MAY EFFECT THE LOAD CAPACITY.
 6. ALL HORIZONTAL AND VERTICAL TUBES ARE PERPENDICULAR TO EACH OTHER WITH ±1 DEG.
 7. FINE WELDING IS REQUIRED AS PER MENTIONED DETAILS AND FINISHING.
 8. HIGHER CURRENT WELDING MAY AFFECT THE BRITTLENESS OF MATERIAL WHICH LATER MAY RAISE TO WEAKENING OF STRUCTURE.
 9. FABRICATORS ARE ALLOWED TO USE FITTINGS/FRAMES/SUPPORTS AS NEEDED AND THE SAME MUST BE COMMUNICATED BACK TO ENGINEERING TEAM.
 10. BOP COMPONENT WEIGHTS ARE FOR REFERENCE ONLY AND SUBJECTED TO CHANGE PER PURCHASED COMPONENTS.



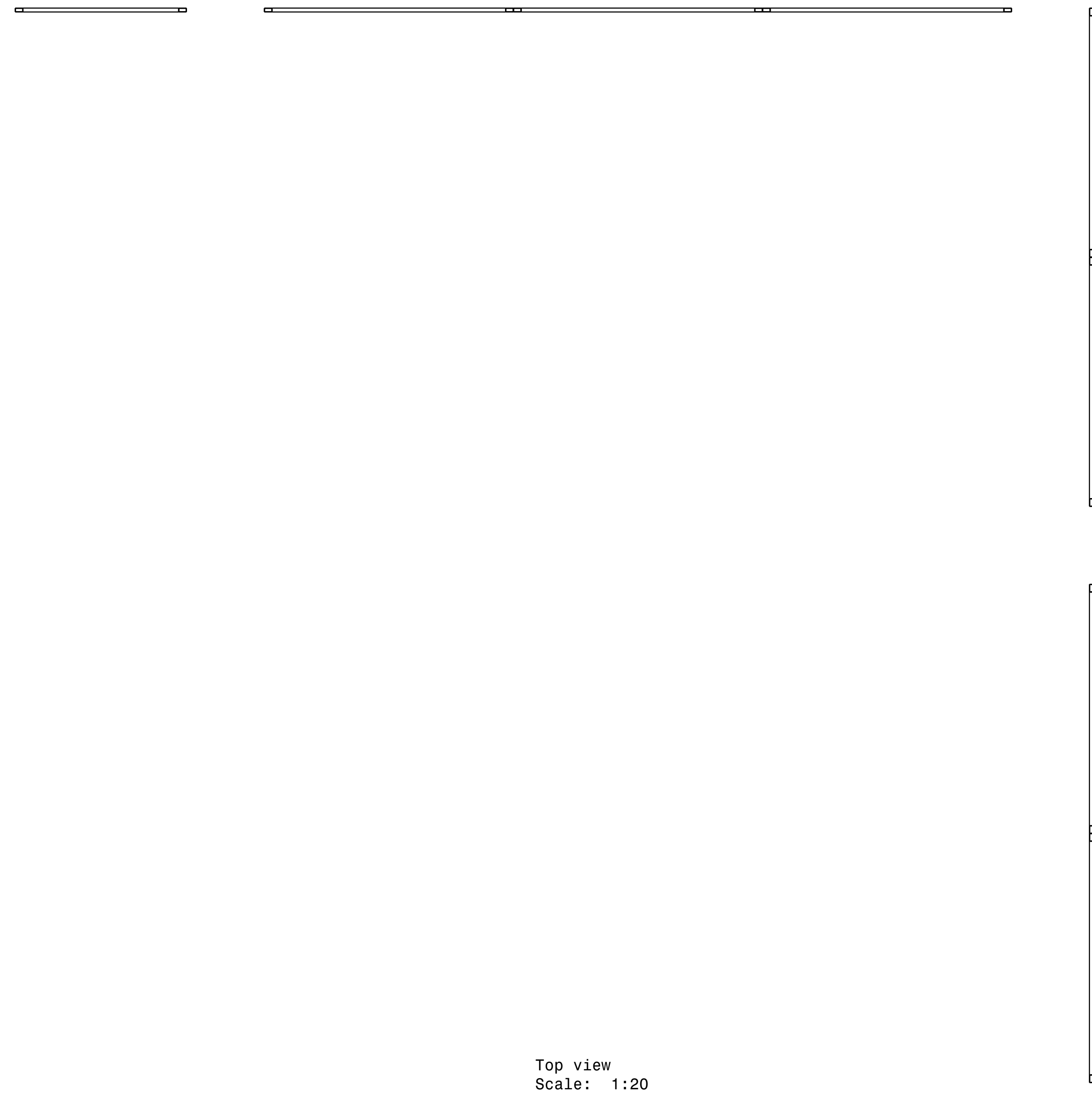
Isometric view
Scale: 3:25

| ITEM NO. | PART NUMBER | DESCRIPTION | QTY. | Wt (kg)/Each |
|----------|-------------|-----------------------|------|--------------|
| 5 | PLANK 2 | 150 X 25 X 1.6 X 1000 | 7 | 4.32 |
| 4 | RHS FRAME 3 | 50 X 25 X 2 X 1000 | 2 | 2.23 |
| 3 | RHS FRAME 2 | 50 X 25 X 2 X 1950 | 2 | 2.2 |
| 2 | PLANK 1 | 150 X 25 X 1.6 X 1500 | 42 | 6.5 |
| 1 | RHS FRAME 1 | 50 X 25 X 2 X 1400 | 14 | 3.23 |

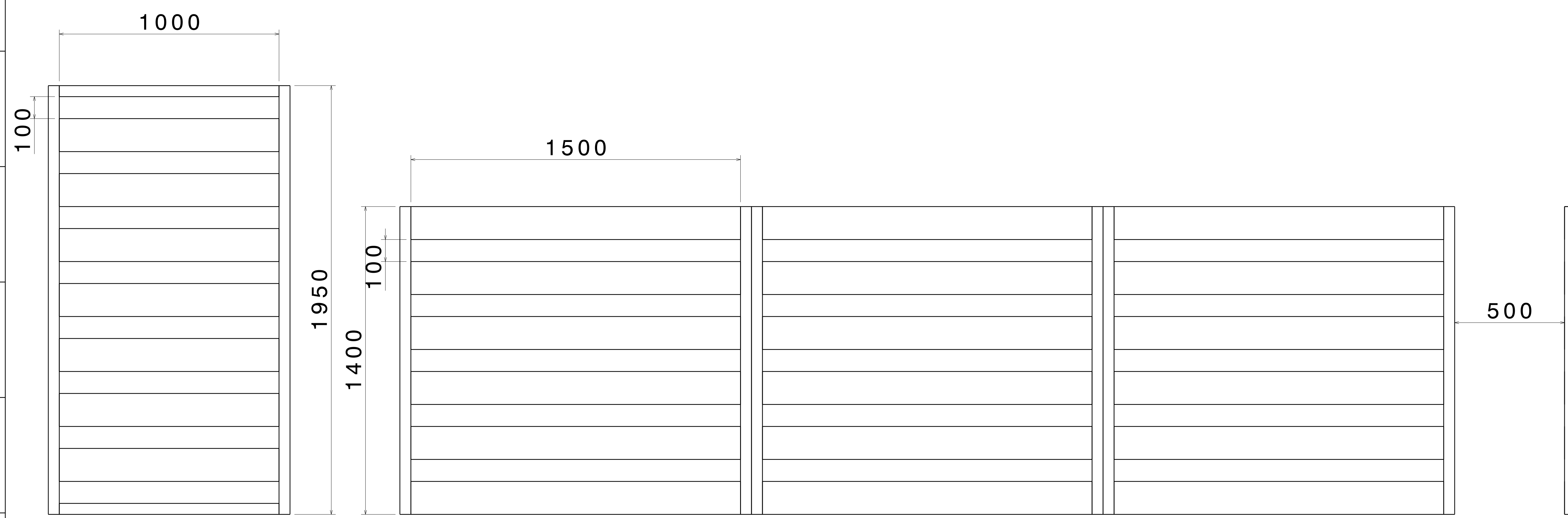
| | | | |
|---|--|---|--|
| This drawing is our property. It can't be reproduced or communicated without our written agreement. www.p2p.ind.in | | APL APOLLO TUBES LTD. | |
| DRAWN BY: XX CHECKED BY: P2P Analysis & Solutions DESIGNED BY: P2P Analysis & Solutions | | DATE: 24MAY2021 DATE: 24MAY2021 DATE: 24MAY2021 | |
| DRAWING TITLE: MAY 21-21 | | SIZE: A0 | DRAWING NUMBER: P2P MAY 21-21 |
| UNLESS OTHERWISE SPECIFIED DIMENSION ARE IN MM VIEWS: THIRD ANGLE PROJECTION | | SCALE: As Indicated | REV: 00 WEIGHT(kg) xxxx SHEET 1 OF 3 |



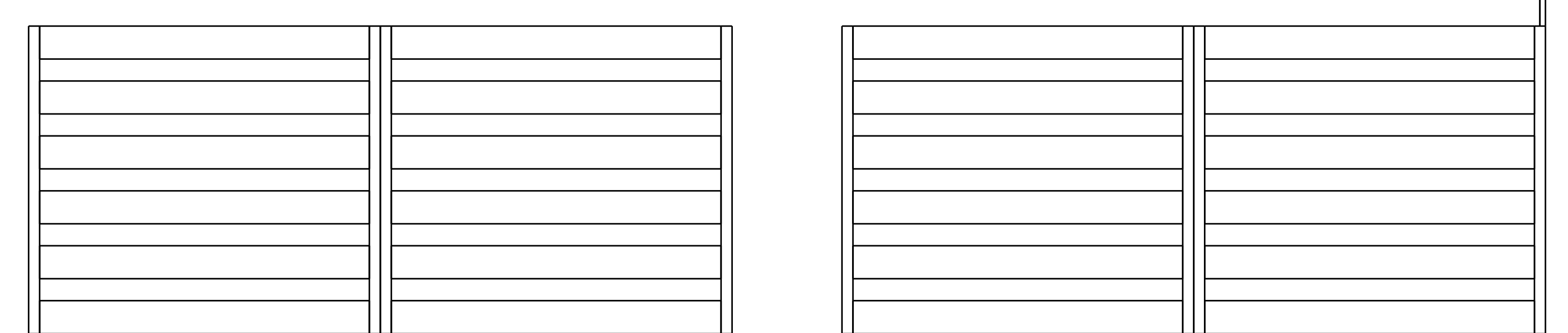
| REV | DATE | DESCRIPTION |
|-----|-----------|------------------|
| 00 | 24MAY2021 | INITIAL REVISION |



Top view
Scale: 1:20



Front view
Scale: 1:10

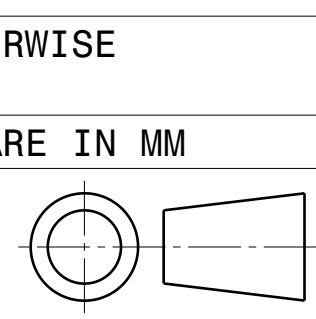


Right view
Scale: 1:20

This drawing is our property.
It can't be reproduced
or communicated without
our written agreement.
www.p2p.ind.in

APL APOLLO TUBES LTD. 

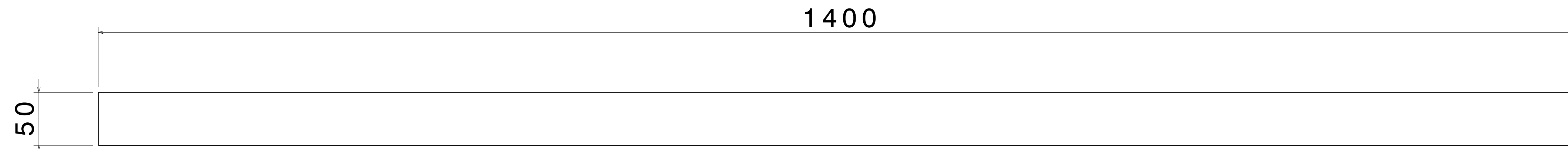
UNLESS OTHERWISE
SPECIFIED
DIMENSION ARE IN MM
VIEWS:
THIRD ANGLE
PROJECTION



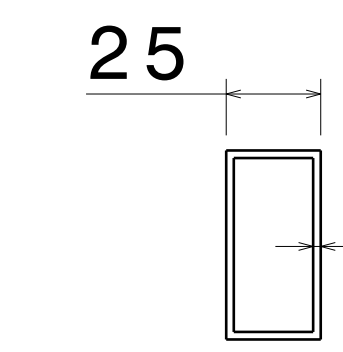
| | |
|--------------------------|-----------|
| DRAWN BY | DATE |
| SB | 24MAY2021 |
| CHECKED BY | DATE |
| P2P Analysis & Solutions | 24MAY2021 |
| DESIGNED BY | DATE |
| P2P Analysis & Solutions | 24MAY2021 |

| | | | |
|---------------|----------------|-------------|--------------|
| DRAWING TITLE | | MAY 21-21 | |
| SIZE | DRAWING NUMBER | REV | |
| A0 | P2P MAY 21-21 | 00 | |
| SCALE | NONE | WEIGHT (kg) | XXX |
| | | | SHEET 2 OF 3 |

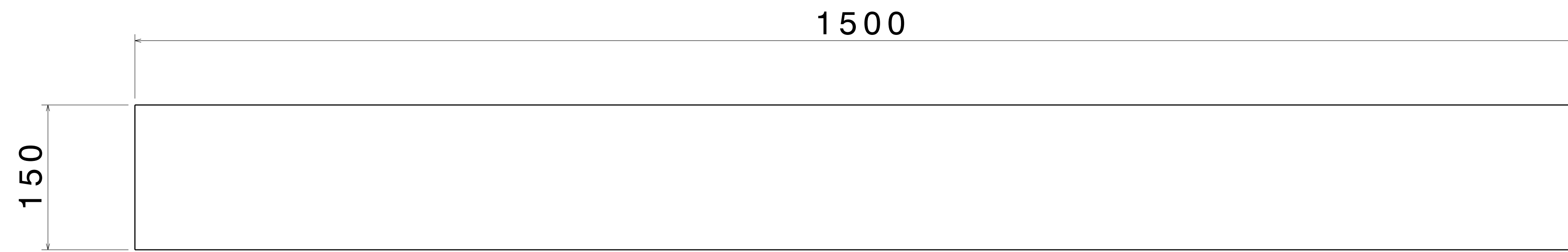
| REV | DATE | DESCRIPTION |
|-----|-----------|------------------|
| 00 | 24MAY2021 | INITIAL REVISION |



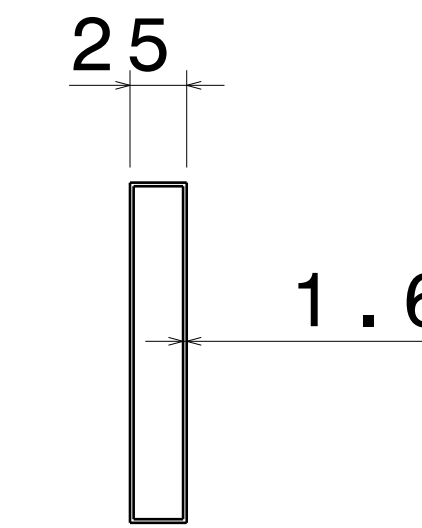
ITEM 1



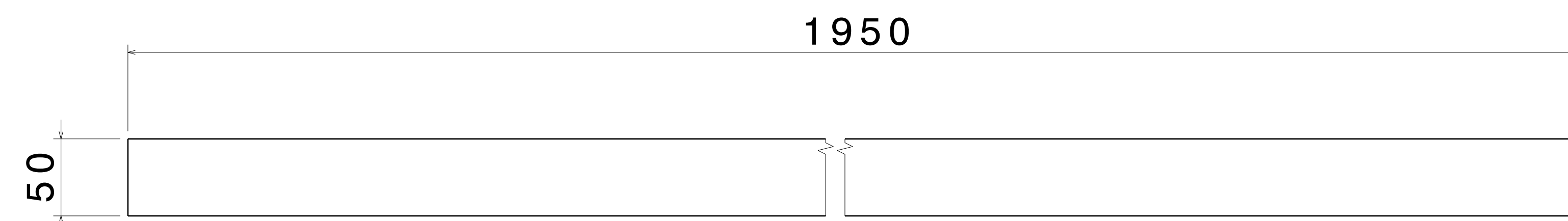
Right view
Scale: 1:2



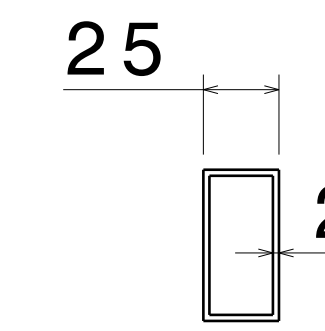
ITEM 2



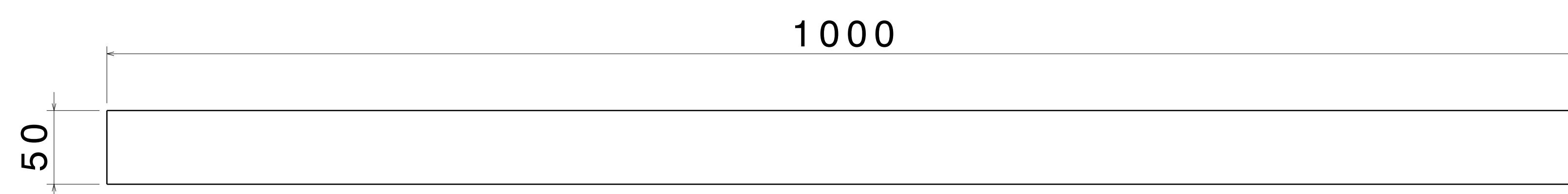
Right view
Scale: 3:10



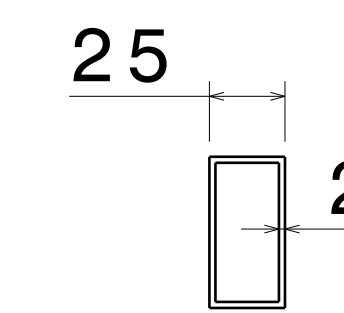
ITEM 3



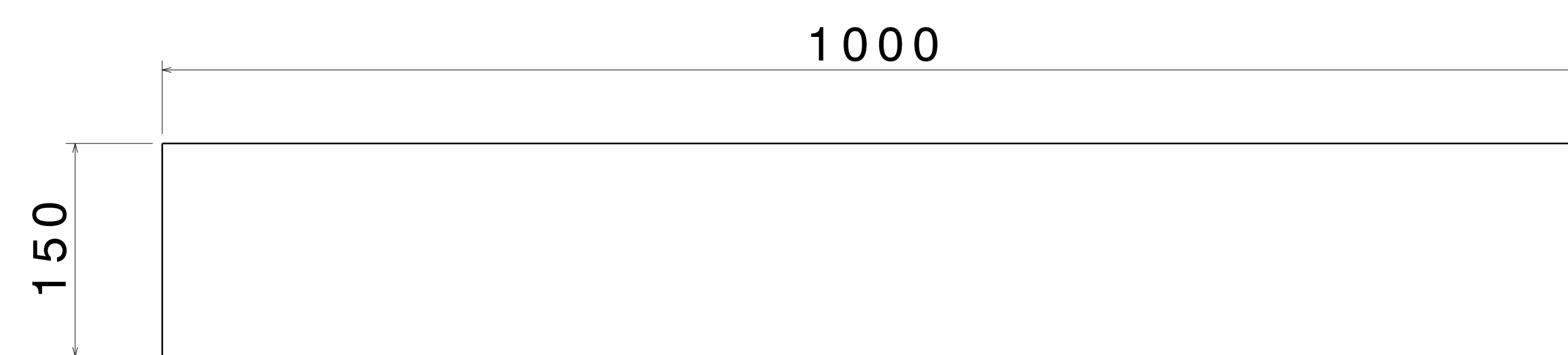
Right view
Scale: 2:5



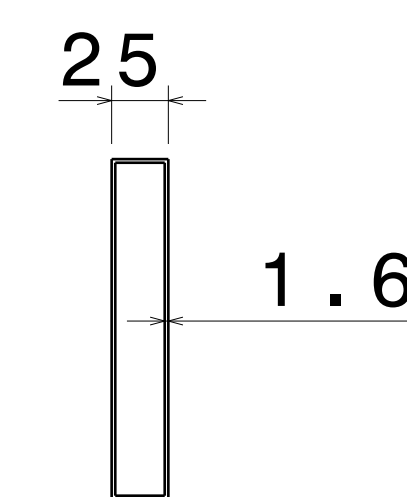
ITEM 4



Right view
Scale: 2:5



ITEM 5



Right view
Scale: 3:10

UNLESS OTHERWISE SPECIFIED DIMENSION ARE IN MM
VIEWS: THIRD ANGLE PROJECTION

This drawing is our property. It can't be reproduced or communicated without our written agreement.
www.p2p.ind.in

| | |
|--------------------------|-----------|
| DRAWN BY | DATE |
| SB | 24MAY2021 |
| CHECKED BY | DATE |
| P2P Analysis & Solutions | 24MAY2021 |
| DESIGNED BY | DATE |
| P2P Analysis & Solutions | 24MAY2021 |

| | | | |
|-----------------------|----------------|-------------|--------------|
| APL APOLLO TUBES LTD. | | | |
| DRAWING TITLE | | | |
| MAY 21-21 | | | |
| SIZE | DRAWING NUMBER | REV | |
| A0 | P2P MAY 21-21 | 00 | |
| SCALE | NONE | WEIGHT (kg) | XXX |
| | | | SHEET 3 OF 3 |