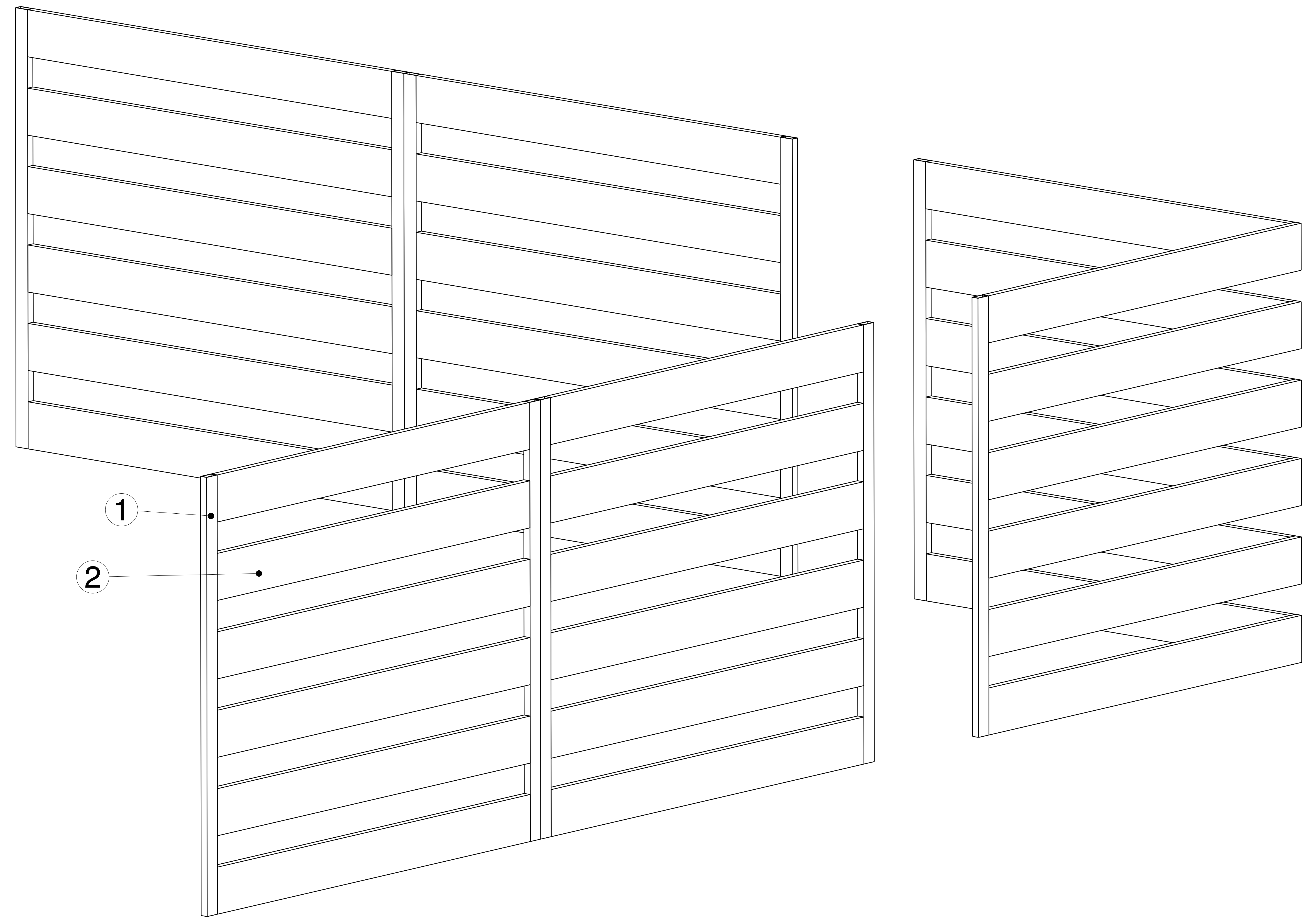


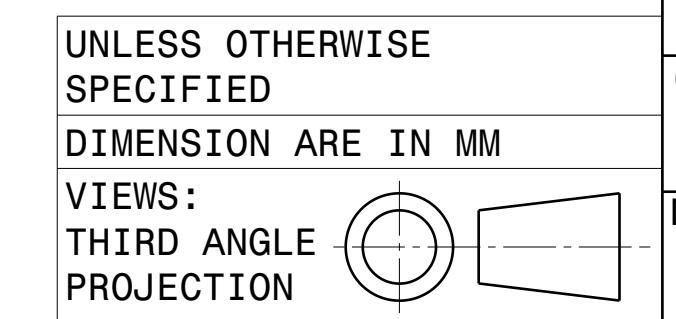
| REV | DATE      | DESCRIPTION      |
|-----|-----------|------------------|
| 00  | 20MAY2021 | INITIAL REVISION |

- NOTES:
- (⊥) ALL VERTICAL SUPPORTS ARE PERPENDICULAR.
  - FLATNESS OF .5MM IS APPLIED BY DEFAULT.
  - ⊲ WELD BEAD OF 2MM RADIUS IS FOLLOWED.
  - ▽▽ SURFACE FINISH MEDIUM TO SMOOTH IS USED.
  - ALL TUBES ARE AS PER APL APOLLO STANDARD. CHANGES MAY EFFECT THE LOAD CAPACITY.
  - ALL HORIZONTAL AND VERTICAL TUBES ARE PERPENDICULAR TO EACH OTHER WITH ±1 DEG.
  - FINE WELDING IS REQUIRED AS PER MENTIONED DETAILS AND FINISHING.
  - HIGHER CURRENT WELDING MAY AFFECT THE BRITTLINESS OF MATERIAL WHICH LATER MAY RAISE TO WEAKENING OF STRUCTURE.
  - FABRICATORS ARE ALLOWED TO USE FITTINGS/FRAMES/SUPPORTS AS NEEDED AND THE SAME MUST BE COMMUNICATED BACK TO ENGINEERING TEAM.
  - BOP COMPONENT WEIGHTS ARE FOR REFERENCE ONLY AND SUBJECTED TO CHANGE PER PURCHASED COMPONENTS.



Isometric view  
Scale: 3:20

| 2   | PLANK 1        | 150 X 25 X 1.6 X 1500    | AS NEEDED      | 6.50          |
|---|----------------|--------------------------|----------------|---------------|
| 1   | RHS FRAME 1    | 50 X 25 X 2 X 1400       | AS NEEDED      | 3.15          |
| ITEM NO.  | PART NUMBER    | DESCRIPTION              | QTY.           | Wt (Kg) /Each |
| This drawing is our property. It can't be reproduced or communicated without our written agreement.<br>www.p2p.ind.in |                |                          |                |               |
| DRAWN BY  |                | RR                       | DATE 20MAY2021 |               |
| CHECKED BY  |                | P2P Analysis & Solutions | DATE 20MAY2021 |               |
| DESIGNED BY   |                | P2P Analysis & Solutions | DATE 20MAY2021 |               |
| UNLESS OTHERWISE SPECIFIED DIMENSION ARE IN MM  |                | THIRD ANGLE PROJECTION   |                |               |
| DRAWING TITLE   |                | BOUNDARY WALL            |                |               |
| SIZE  | DRAWING NUMBER | REV                      |                |               |
| A0  | P2P MAY 21-25  | 00                       |                |               |
| SCALE   | WEIGHT(kg)     | xxxx                     | SHEET 1 OF 3   |               |
| As Indicated  |                |                          |                |               |

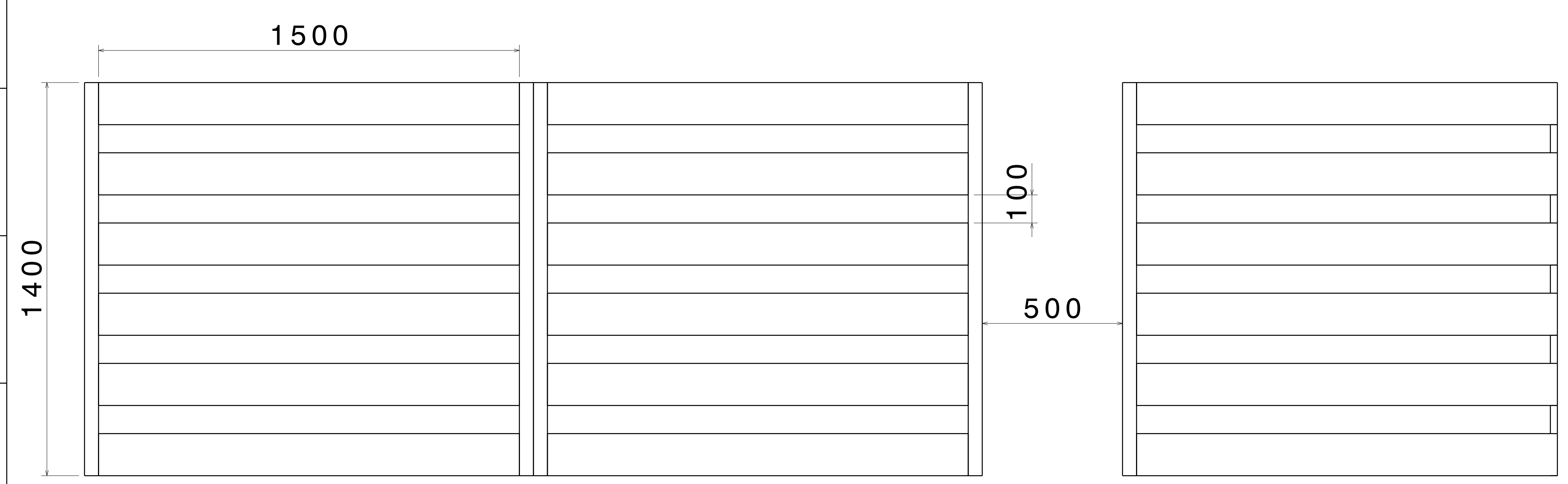


| REV | DATE      | DESCRIPTION      |
|-----|-----------|------------------|
| 00  | 20MAY2021 | INITIAL REVISION |

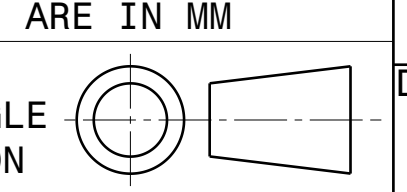
Top view  
Scale: 2:25

Front view  
Scale: 1:10

Right view  
Scale: 2:25




UNLESS OTHERWISE SPECIFIED DIMENSION ARE IN MM  
VIEWS: THIRD ANGLE PROJECTION

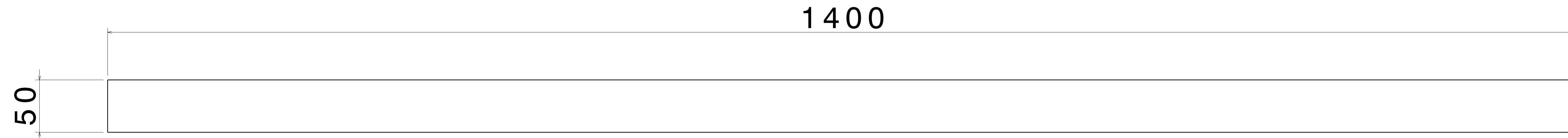


This drawing is our property. It can't be reproduced or communicated without our written agreement.  
www.p2p.ind.in

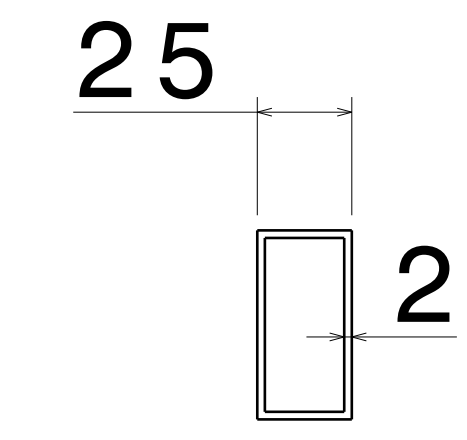
|                          |           |
|--------------------------|-----------|
| DRAWN BY                 | DATE      |
| SB                       | 20MAY2021 |
| CHECKED BY               | DATE      |
| P2P Analysis & Solutions | 20MAY2021 |
| DESIGNED BY              | DATE      |
| P2P Analysis & Solutions | 20MAY2021 |

|   |                |
|---|----------------|
| APL APOLLO TUBES LTD.  |                |
| DRAWING TITLE   |                |
| BOUNDARY WALL   |                |
| SIZE  | DRAWING NUMBER |
| A0  | P2P MAY 21-25  |
| SCALE   | WEIGHT (kg)    |
| NONE  | XXX            |
| REV   | SHEET 2 OF 3   |
| 00  |                |

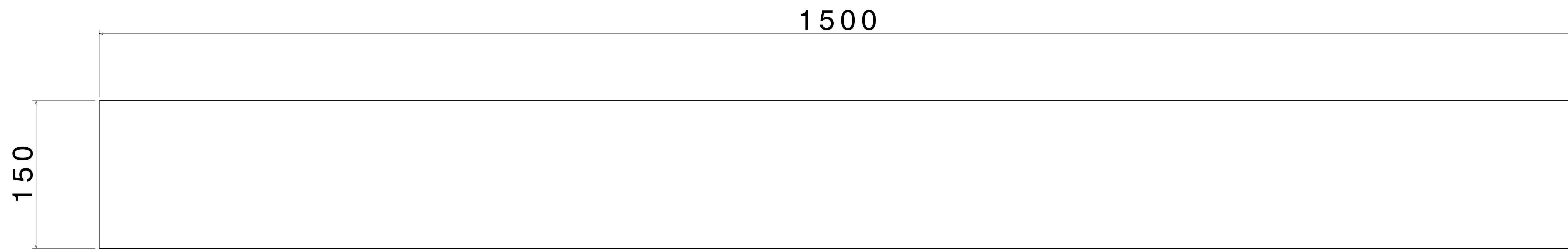
| REV | DATE      | DESCRIPTION      |
|-----|-----------|------------------|
| 00  | 20MAY2021 | INITIAL REVISION |



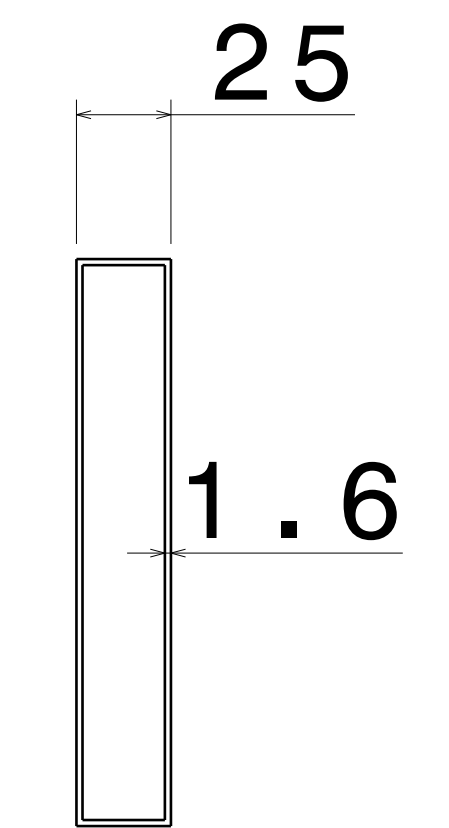
ITEM 1



Right view  
Scale: 1:2



ITEM 2



Right view  
Scale: 1:2

UNLESS OTHERWISE SPECIFIED DIMENSION ARE IN MM  
VIEWS: THIRD ANGLE PROJECTION

This drawing is our property. It can't be reproduced or communicated without our written agreement.  
www.p2p.ind.in

|                          |           |
|--------------------------|-----------|
| DRAWN BY                 | DATE      |
| SB                       | 20MAY2021 |
| CHECKED BY               | DATE      |
| P2P Analysis & Solutions | 20MAY2021 |
| DESIGNED BY              | DATE      |
| P2P Analysis & Solutions | 20MAY2021 |

|                       |                |
|-----------------------|----------------|
| APL APOLLO TUBES LTD. |                |
| DRAWING TITLE         |                |
| BOUNDARY WALL         |                |
| SIZE                  | DRAWING NUMBER |
| A0                    | P2P MAY 21-25  |
| REV                   | 00             |
| SCALE                 | NONE           |
| WEIGHT (kg)           | XXX            |
| SHEET 3 OF 3          |                |