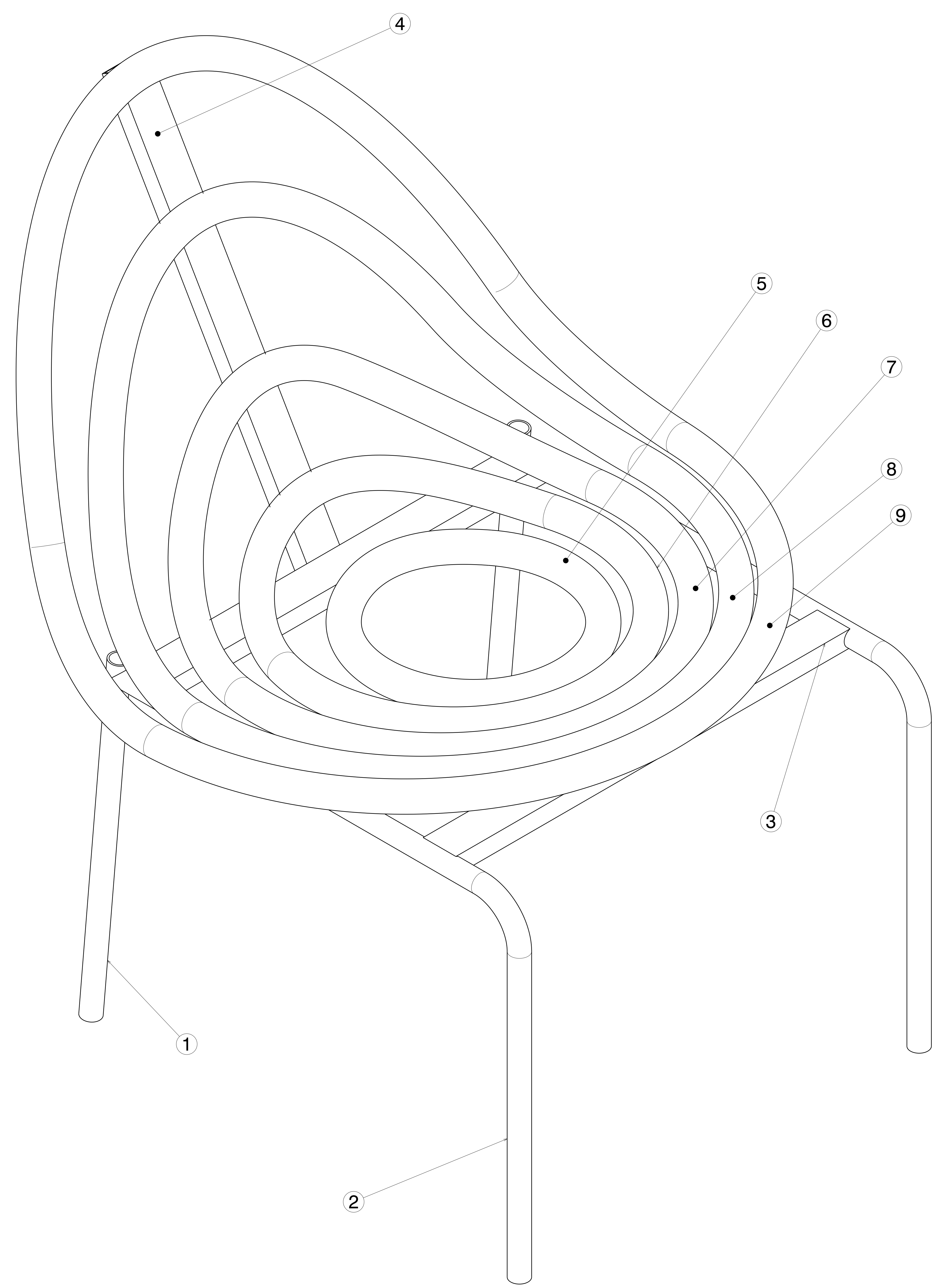


REV/DATE	DESCRIPTION
00 / 07MAY2021	INITIAL REVISION



- NOTES:
- (⊥) ALL VERTICAL SUPPORTS ARE PERPENDICULAR.
  - FLATNESS OF .5MM IS APPLIED BY DEFAULT.
  - ⊲ WELD BEAD OF 2MM RADIUS IS FOLLOWED.
  - ▽ SURFACE FINISH MEDIUM TO SMOOTH IS USED.
  - ALL TUBES ARE AS PER APL APOLLO STANDARD. CHANGES MAY EFFECT THE LOAD CAPACITY.
  - ALL HORIZONTAL AND VERTICAL TUBES ARE PERPENDICULAR TO EACH OTHER WITH ±1 DEG.
  - FINE WELDING IS REQUIRED AS PER MENTIONED DETAILS AND FINISHING.
  - HIGHER CURRENT WELDING MAY AFFECT THE BRITTLENESS OF MATERIAL WHICH LATER MAY RAISE TO WEAKENING OF STRUCTURE.
  - FABRICATORS ARE ALLOWED TO USE FITTINGS/FRAMES/SUPPORTS AS NEEDED AND THE SAME MUST BE COMMUNICATED BACK TO ENGINEERING TEAM.
  - BOP COMPONENT WEIGHTS ARE FOR REFERENCE ONLY AND SUBJECTED TO CHANGE PER PURCHASED COMPONENTS.

Isometric view

ITEM NO.	PART NUMBER	DESCRIPTION	QTY.	Wt (Kg) /Each
9	TUBE 7	DIA 38.1 X 2 X 2630	1	5.2
8	TUBE 6	DIA 38.1 X 2 X 2100	1	4.24
7	TUBE 5	DIA 38.1 X 2 X 1500	1	3.22
6	TUBE 4	DIA 38.1 X 2 X 1350	1	2.25
5	TUBE 3	DIA 38.1 X 2 X 885	1	1.57
4	RECT FRAME 2	50 X 25 X 2 X 600	1	1.34
3	RECT FRAME 1	50 X 25 X 2 X 610	2	1.35
2	TUBE 2	DIA 26.4 X 2.3 X 1080	2	1.46
1	TUBE 1	DIA 26.4 X 2.3 X 500	2	0.68

This drawing is our property. It can't be reproduced or communicated without our written agreement.  
www.p2p.ind.in

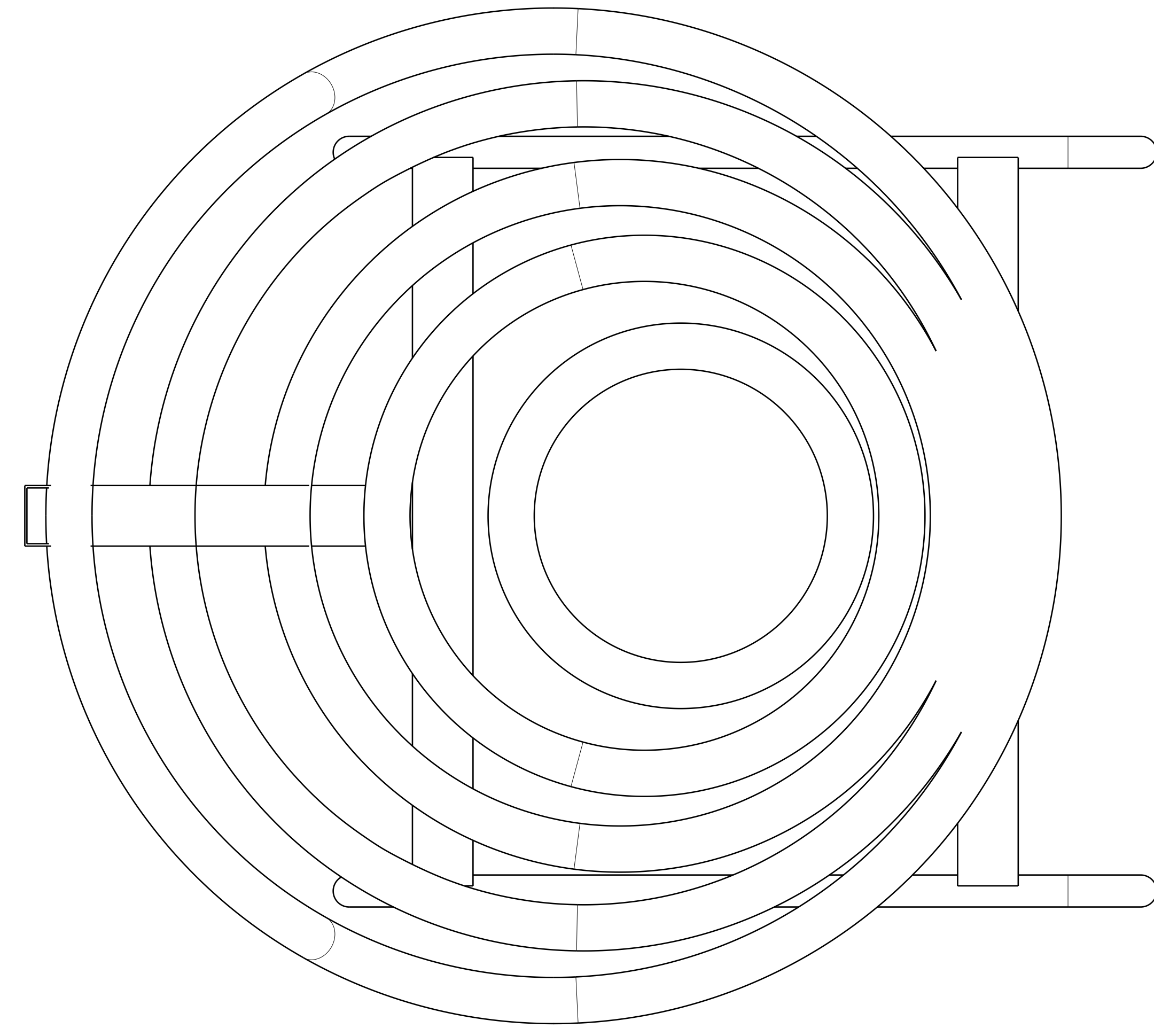
APL APOLLO TUBES LTD.

DRAWING TITLE: **CURVED CHAIR**

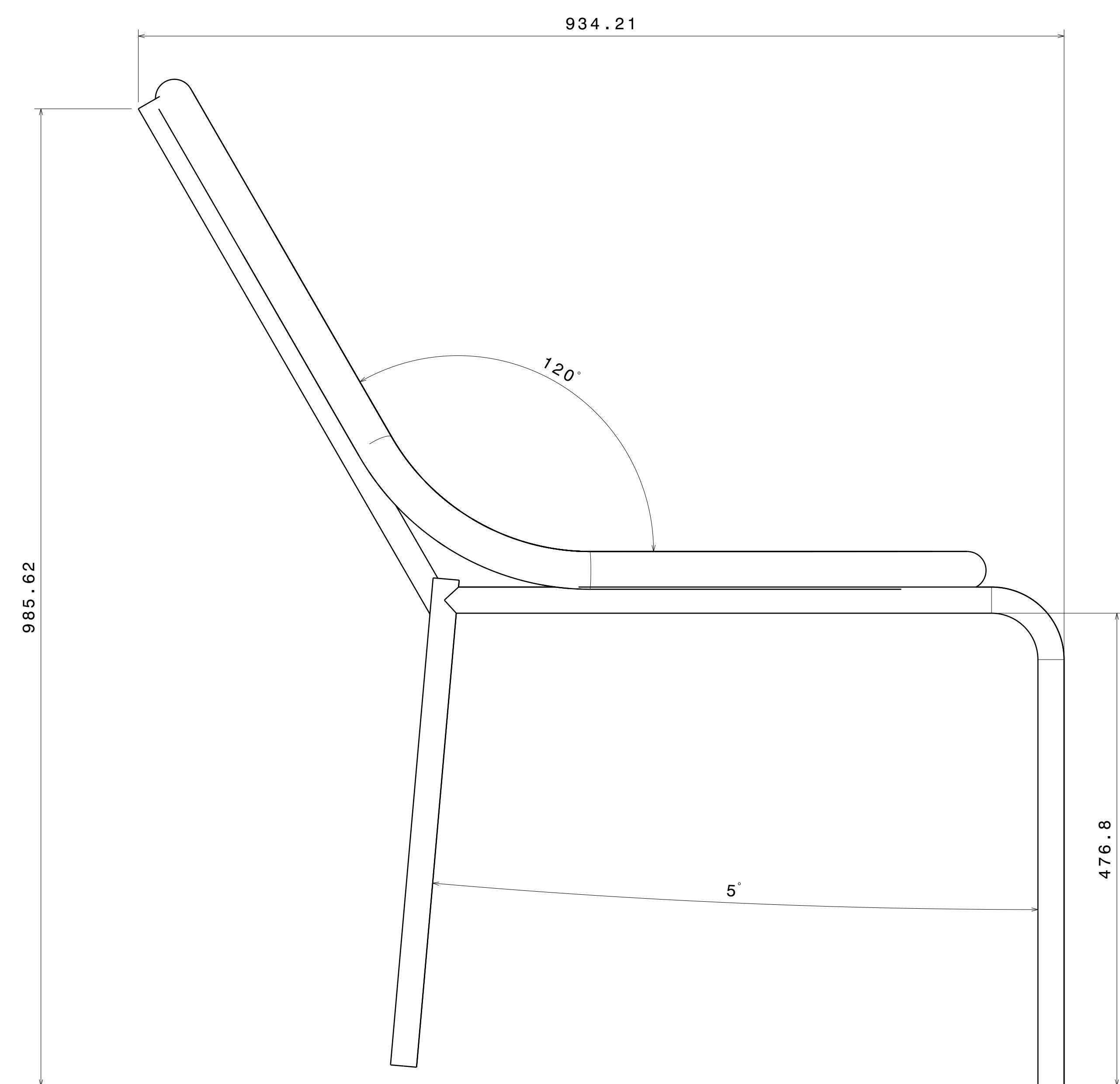
DRAWN BY: RR	DATE: 07MAY2021	SIZE: A0	DRAWING NUMBER: MAY 21 - 29	REV: 00
CHECKED BY: P2P Analysis & Solutions	DATE: 07MAY2021	SCALE: As Indicated	WEIGHT (kg): 0kg	SHEET 1 OF 3
DESIGNED BY: P2P Analysis & Solutions	DATE: 07MAY2021			

UNLESS OTHERWISE SPECIFIED DIMENSION ARE IN MM  
VIEWS: THIRD ANGLE PROJECTION

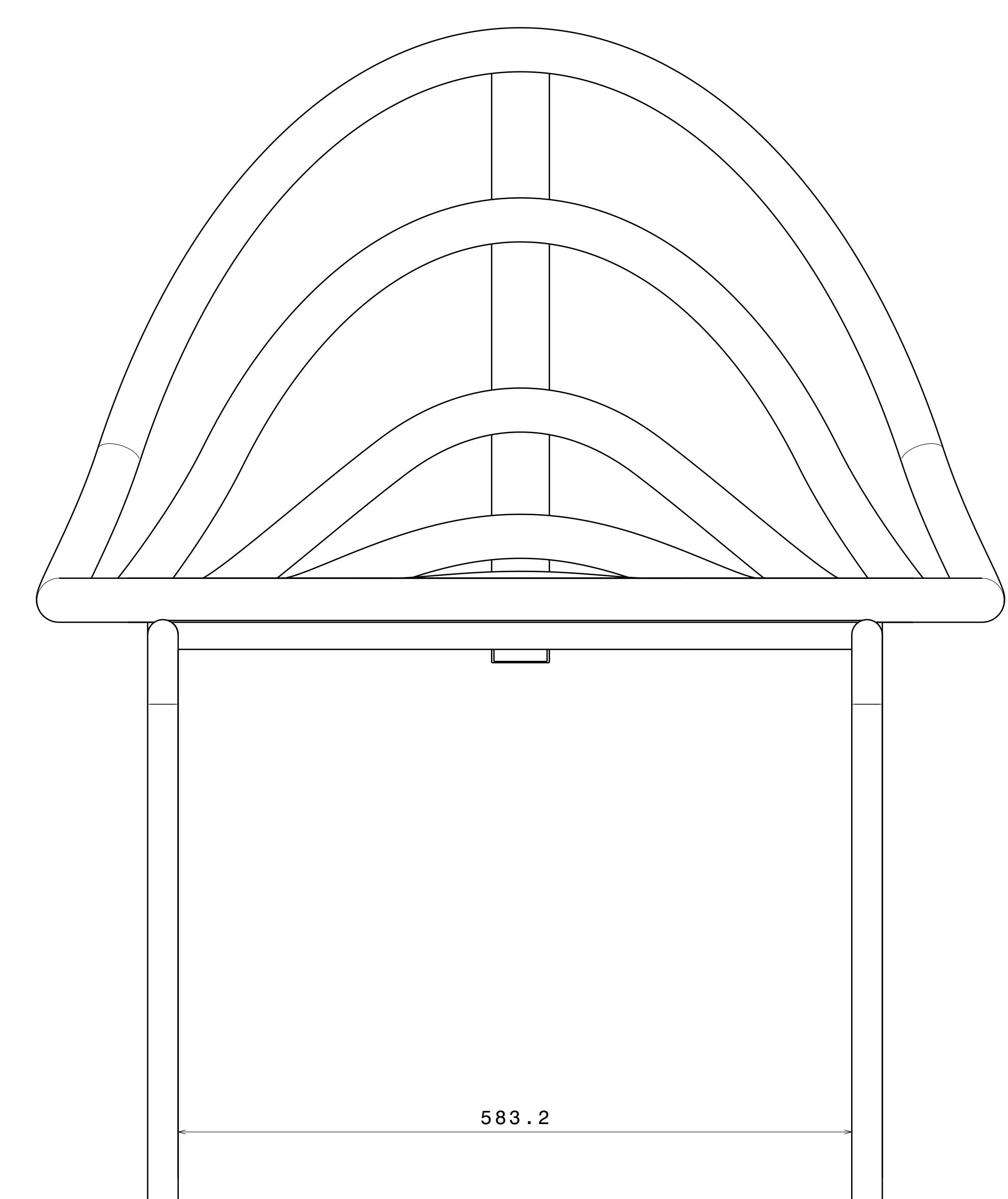
REV	DATE	DESCRIPTION
00	07MAY2021	INITIAL REVISION



Top view  
Scale: 3:10



Front view  
Scale: 3:10



Right view  
Scale: 3:10

This drawing is our property.  
It can't be reproduced  
or communicated without  
our written agreement.  
www.p2p.ind.in



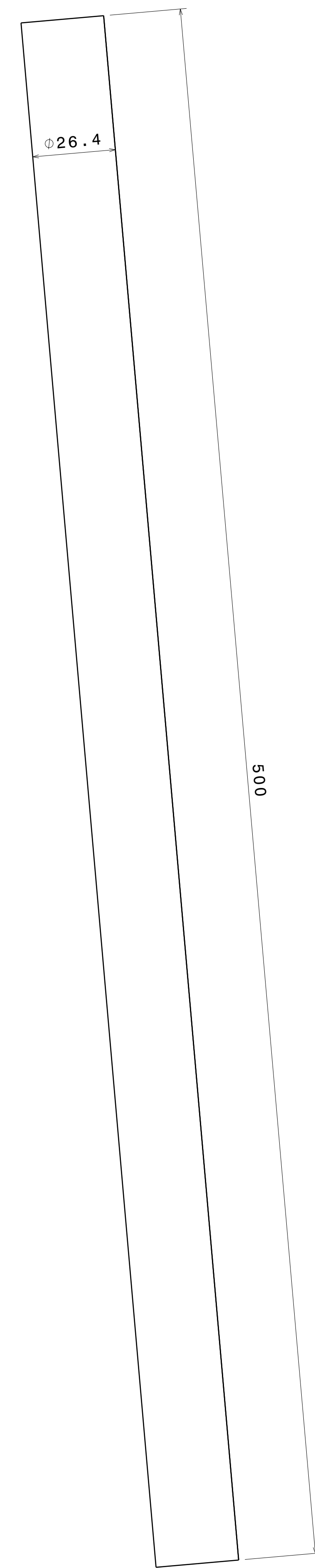
APL APOLLO TUBES LTD.		DRAWING TITLE	
		CURVED CHAIR	
SIZE	DRAWING NUMBER	REV	
A0	MAY 21 - 29	00	
SCALE	NONE	WEIGHT (kg)	XXX
			SHEET 2 OF 3

UNLESS OTHERWISE SPECIFIED  
DIMENSION ARE IN MM  
VIEWS:  
THIRD ANGLE  
PROJECTION

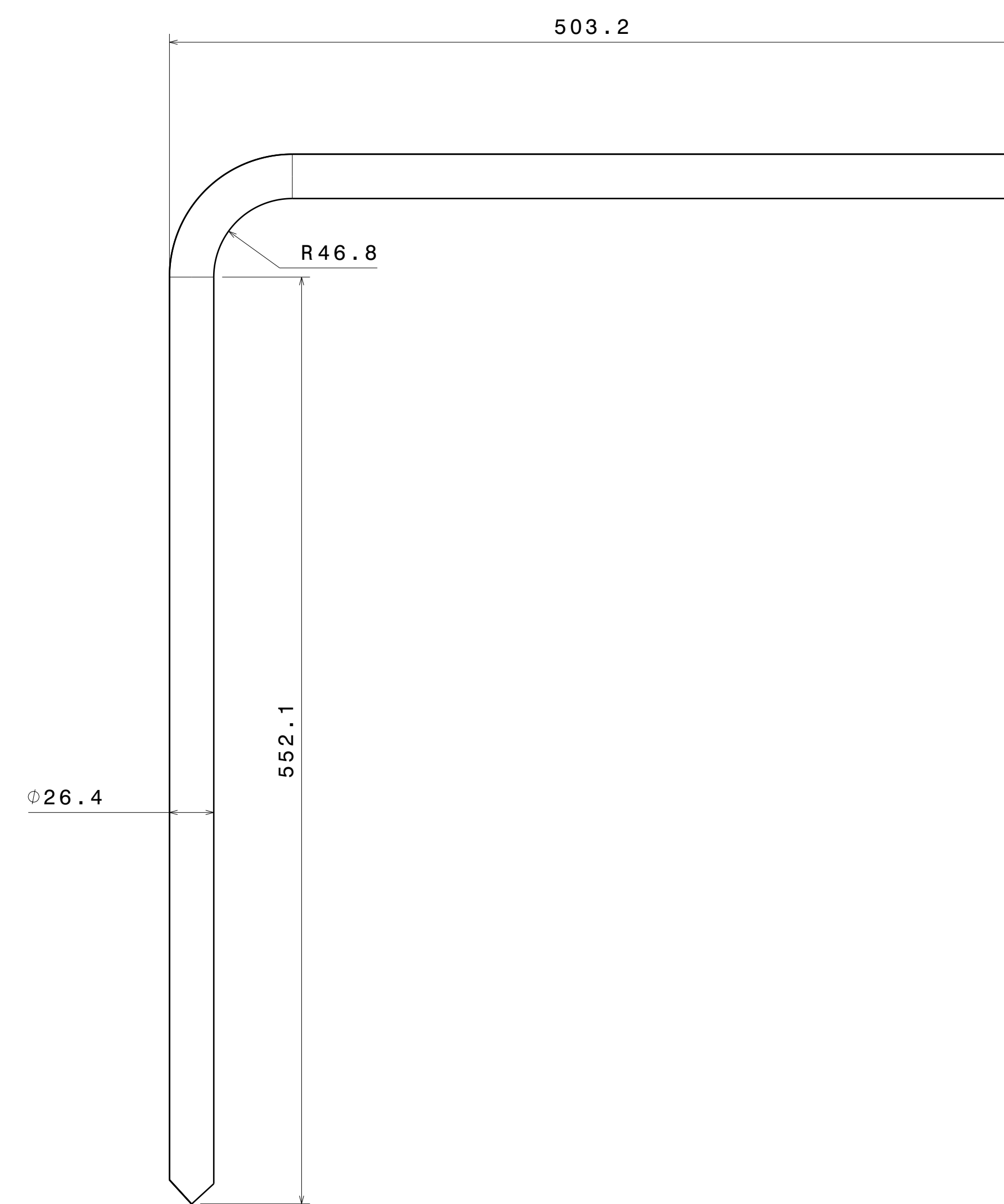
DRAWN BY	DATE
SB	07MAY2021
CHECKED BY	DATE
P2P Analysis & Solutions	07MAY2021
DESIGNED BY	DATE
P2P Analysis & Solutions	07MAY2021



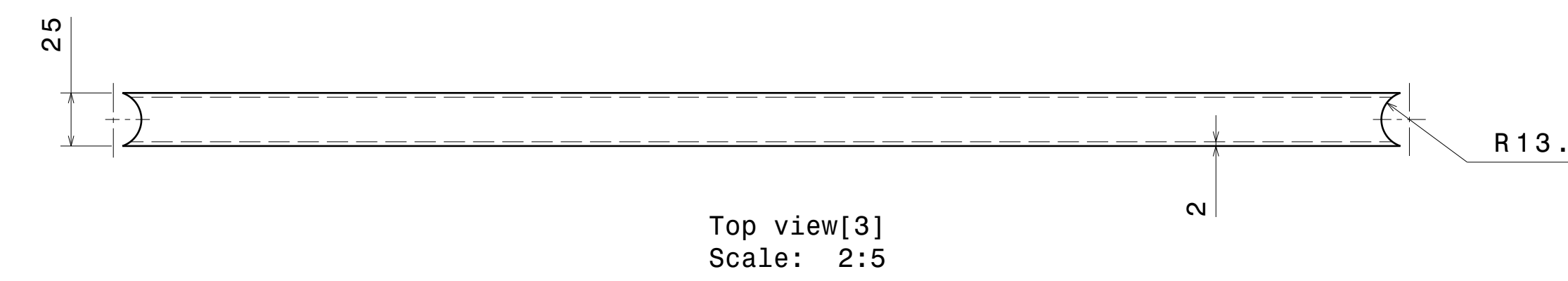
REV	DATE	DESCRIPTION
00	07MAY2021	INITIAL REVISION



ITEM 1

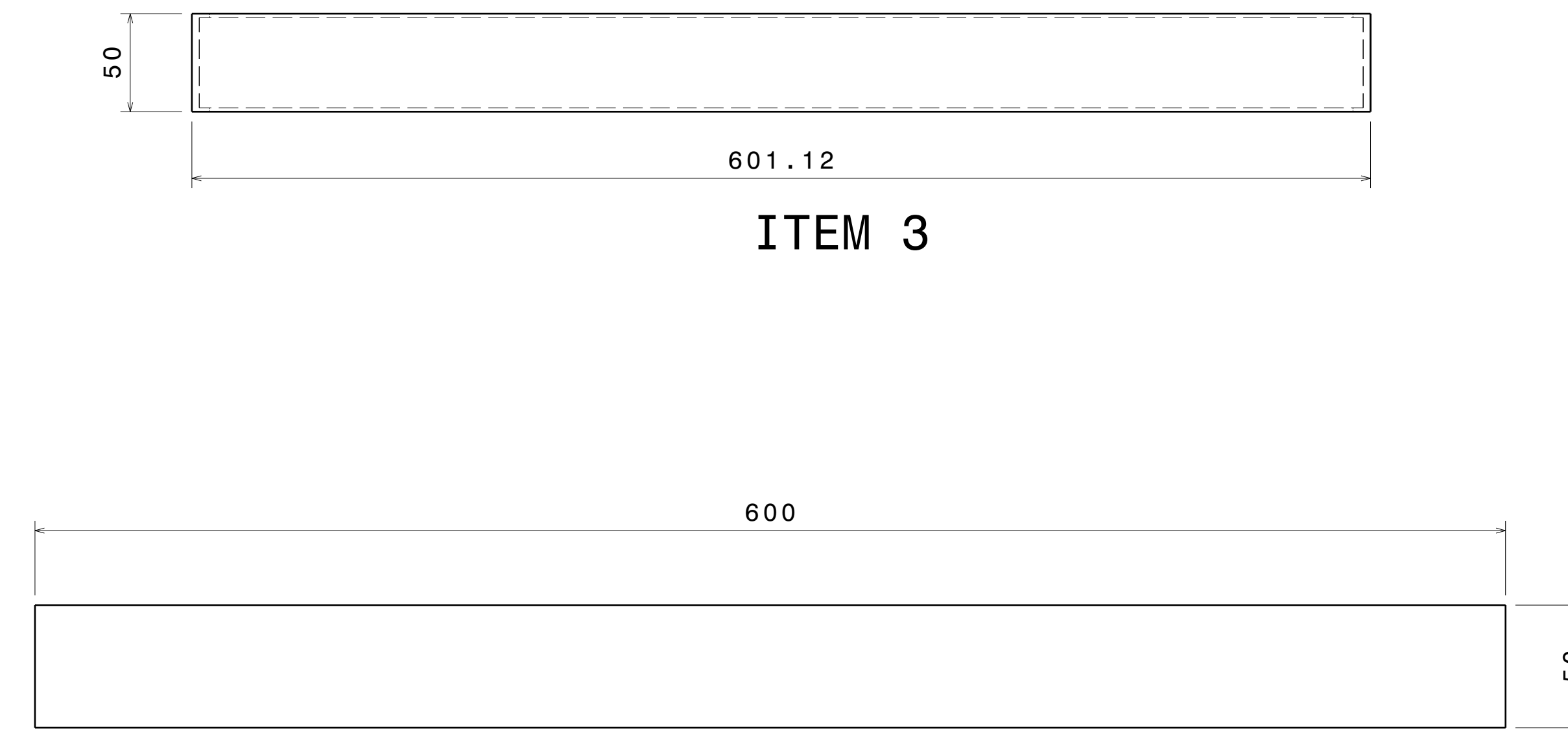


ITEM 2



Top view[3]  
Scale: 2:5

ITEM 3

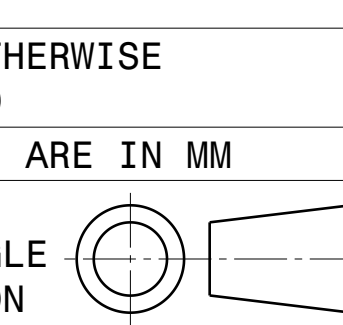


ITEM 4

Right view  
Scale: 1:2


ITEM 7 TO 9 TO BE BENT PER CHAIR PROFILE.  
REFER DIMENSIONS PER BOM

UNLESS OTHERWISE SPECIFIED DIMENSION ARE IN MM  
VIEWS: THIRD ANGLE PROJECTION



This drawing is our property. It can't be reproduced or communicated without our written agreement.  
www.p2p.ind.in

DRAWN BY	DATE
SB	07MAY2021
CHECKED BY	DATE
P2P Analysis & Solutions	07MAY2021
DESIGNED BY	DATE
P2P Analysis & Solutions	07MAY2021

APL APOLLO TUBES LTD. 	
DRAWING TITLE	
CURVED CHAIR	
SIZE	DRAWING NUMBER
A0	MAY 21 - 29
SCALE	WEIGHT (kg)
NONE	XXX
REV	SHEET 3 OF 3
00	