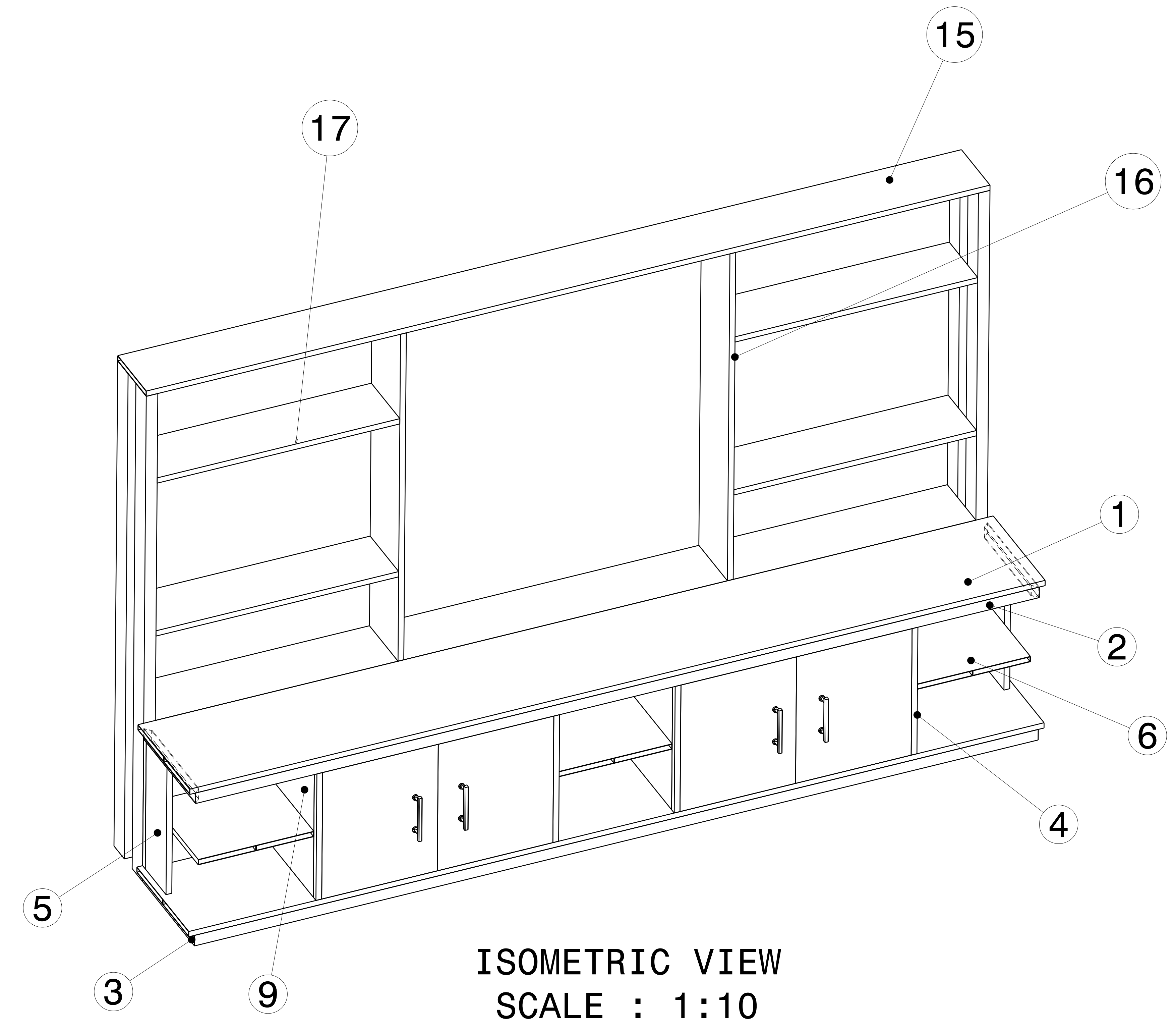
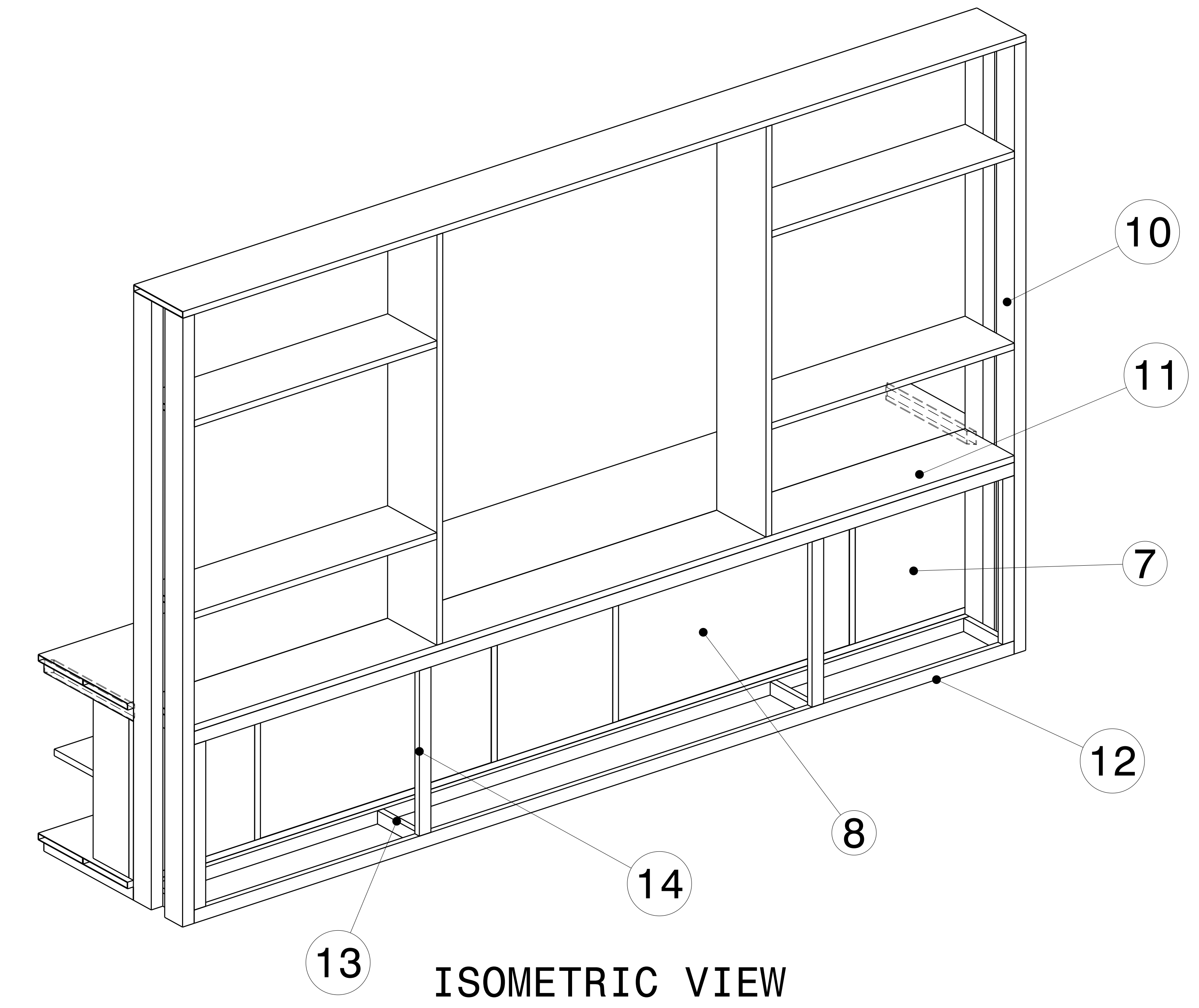


REV/DATE	DESCRIPTION
00 / 24AUG2020	INITIAL REVISION

- NOTES:
- (⊥) ALL VERTICAL SUPPORTS ARE PERPENDICULAR.
 - FLATNESS OF .5MM IS APPLIED BY DEFAULT.
 - ⊥ WELD BEAD OF 2MM RADIUS IS FOLLOWED.
 - ▽ SURFACE FINISH MEDIUM TO SMOOTH IS USED.
 - ALL TUBES ARE AS PER APL APOLLO STANDARD. CHANGES MAY EFFECT THE LOAD CAPACITY.
 - ALL HORIZONTAL AND VERTICAL TUBES ARE PERPENDICULAR TO EACH OTHER WITH ±1 DEG.
 - FINE WELDING IS REQUIRED AS PER MENTIONED DETAILS AND FINISHING.
 - HIGHER CURRENT WELDING MAY AFFECT THE BRITTLENESS OF MATERIAL WHICH LATER MAY RAISE TO WEAKENING OF STRUCTURE.
 - FABRICATORS ARE ALLOWED TO USE FITTINGS/FRAMES/SUPPORTS AS NEEDED AND THE SAME MUST BE COMMUNICATED BACK TO ENGINEERING TEAM.
 - BOP COMPONENT WEIGHTS ARE FOR REFERENCE ONLY AND SUBJECTED TO CHANGE PER PURCHASED COMPONENTS.



ISOMETRIC VIEW
SCALE : 1:10



ISOMETRIC VIEW
SCALE : 1:10

ITEM NO.	PART NUMBER	DESCRIPTION	QTY.	Wt (Kg) /Each
17	RHS PLANK 10	275 X 25 X 1.6 X 1050	4	7.84
16	RHS PLANK 9	275 X 25 X 2 X 1550	2	14.43
15	RHS PLANK 8	275 X 25 X 2 X 3650	1	33.97
14	RHS FRAME 6	50 X 25 X 2 X 625	4	1.40
13	RHS FRAME 5	50 X 25 X 2 X 225	8	0.50
12	RHS FRAME 4	50 X 25 X 2 X 3550	4	7.92
11	RHS PLANK 7	275 X 25 X 2 X 3550	1	33.04
10	RHS FRAME 3	100 X 50 X 3.6 X 2300	4	18.59
9	RHS PLANK 6	225 X 25 X 2 X 650	8	5.03
8	RHS PLANK 5	200 X 25 X 2 X 600	10	4.17
7	RHS PLANK 4	250 X 25 X 2 X 600	10	5.11
6	RHS PLANK 3	250 X 25 X 1.6 X 450	6	3.08
5	RHS PLANK 2	200 X 25 X 2 X 600	2	4.17
4	SHS FRAME 1	25 X 25 X 3.2 X 600	10	31.48
3	RHS FRAME 2	50 X 25 X 2 X 500	4	1.06
2	RHS FRAME 1	50 X 25 X 2 X 3650	4	8.09
1	RHS PLANK 1	250 X 25 X 2 X 3700	4	31.53

This drawing is our property. It can't be reproduced or communicated without our written agreement.

APL APOLLO TUBES LTD.

DRAWING TITLE: NOV 20 01

SCALE: A0 P2P NOV 20 01

WEIGHT (kg): 0kg

SHEET 1 OF 3

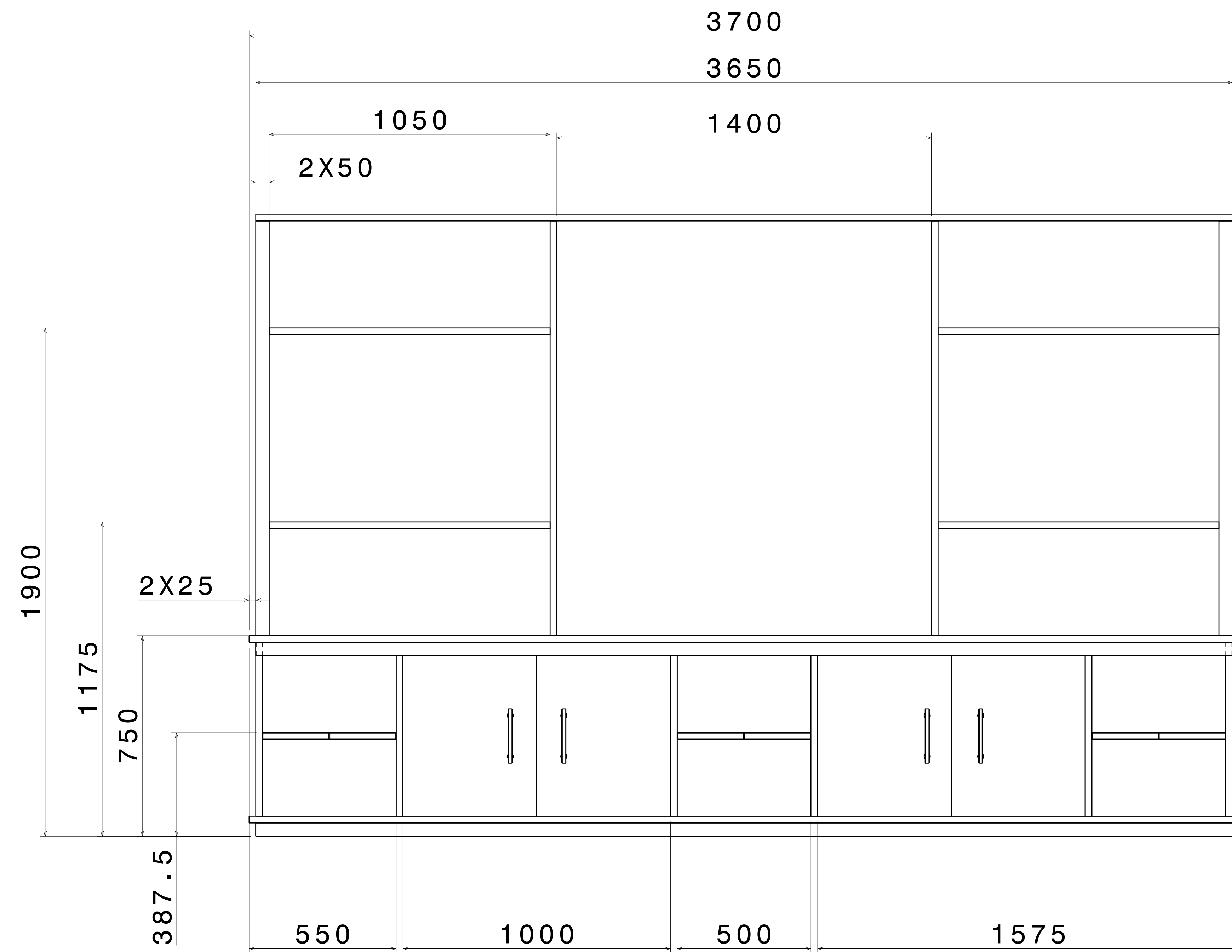
UNLESS OTHERWISE SPECIFIED DIMENSION ARE IN MM VIEWS: THIRD ANGLE PROJECTION

DESIGNED BY: P2P Analysis & Solutions DATE: 24AUG2020

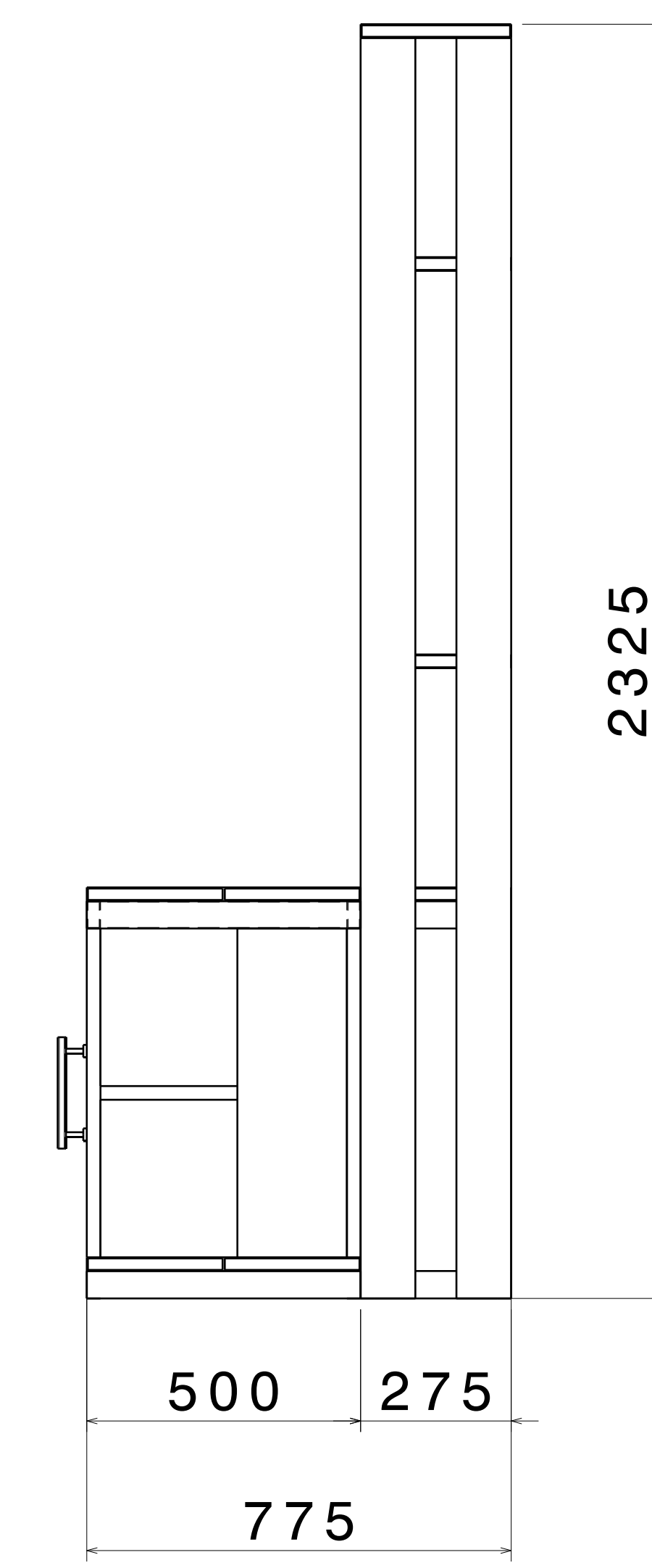
CHECKED BY: P2P Analysis & Solutions DATE: 24AUG2020

DRAWN BY: XX DATE: 24AUG2020

REV	DATE	DESCRIPTION
00	24AUG2020	INITIAL REVISION

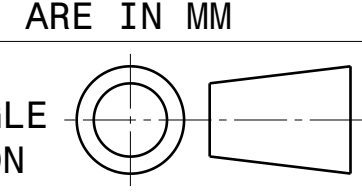



FRONT VIEW
SCALE: 1:10



RIGHT VIEW
SCALE: 1:10

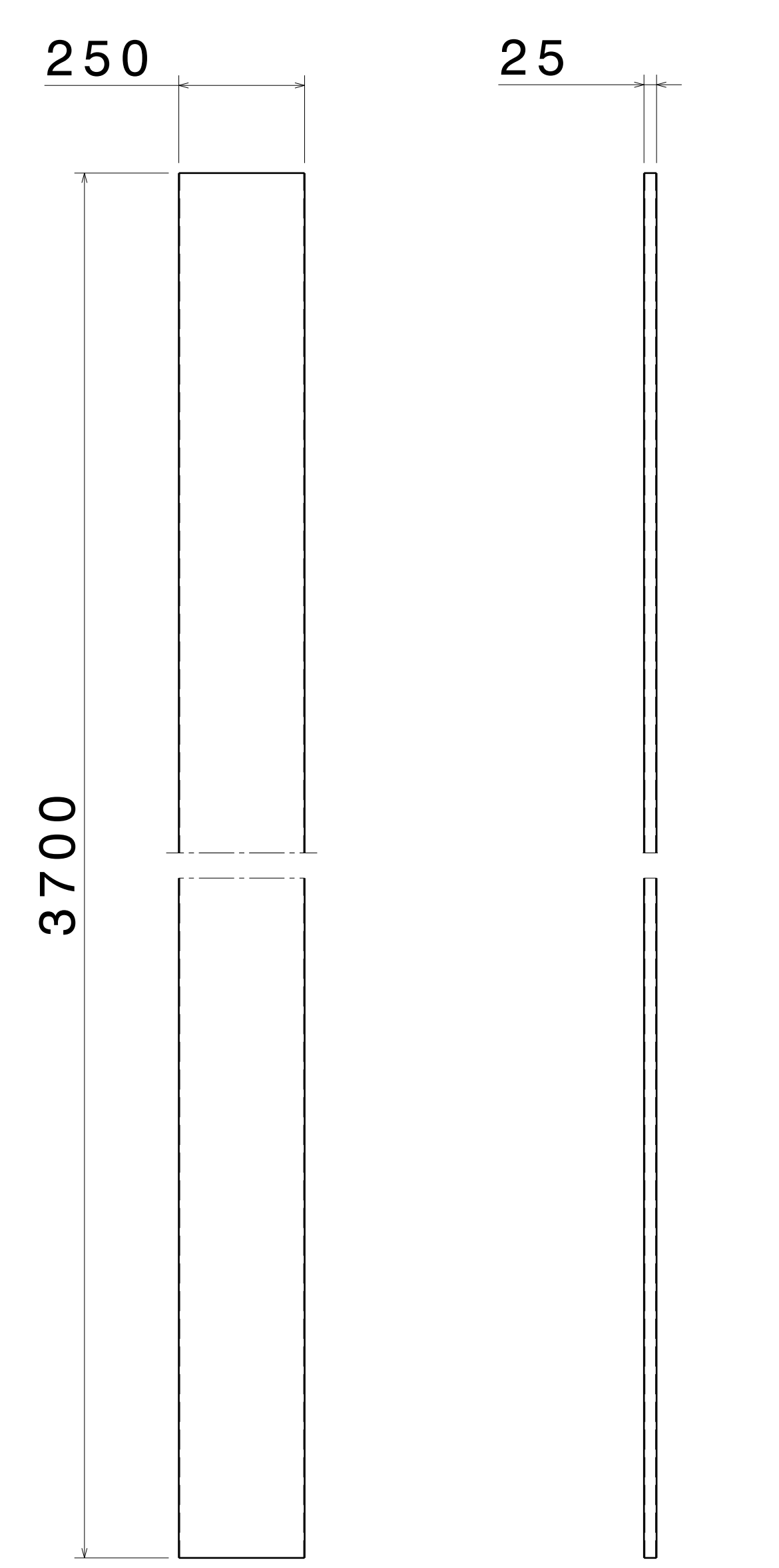
UNLESS OTHERWISE SPECIFIED DIMENSION ARE IN MM VIEWS: THIRD ANGLE PROJECTION



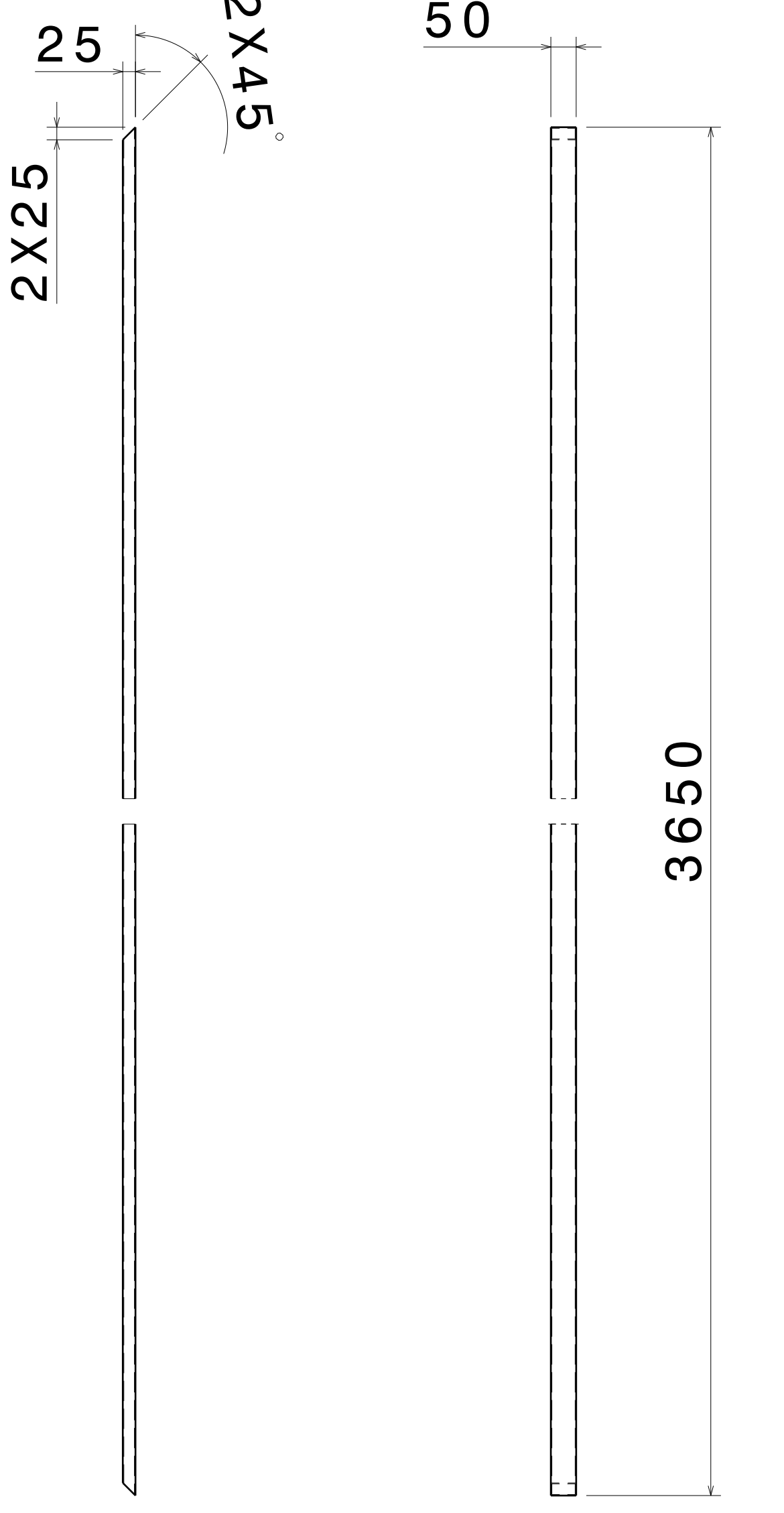
This drawing is our property. It can't be reproduced or communicated without our written agreement.		APL APOLLO TUBES LTD. 	
DRAWN BY SB		DATE 24AUG2020	
CHECKED BY P2P Analysis & Solutions		DATE 24AUG2020	
DESIGNED BY P2P Analysis & Solutions		DATE 24AUG2020	
SIZE A0	DRAWING NUMBER P2P NOV 20 01	REV 00	
SCALE NONE	WEIGHT (kg) XXX	SHEET 2 OF 3	

DRAWING TITLE
NOV 20 01

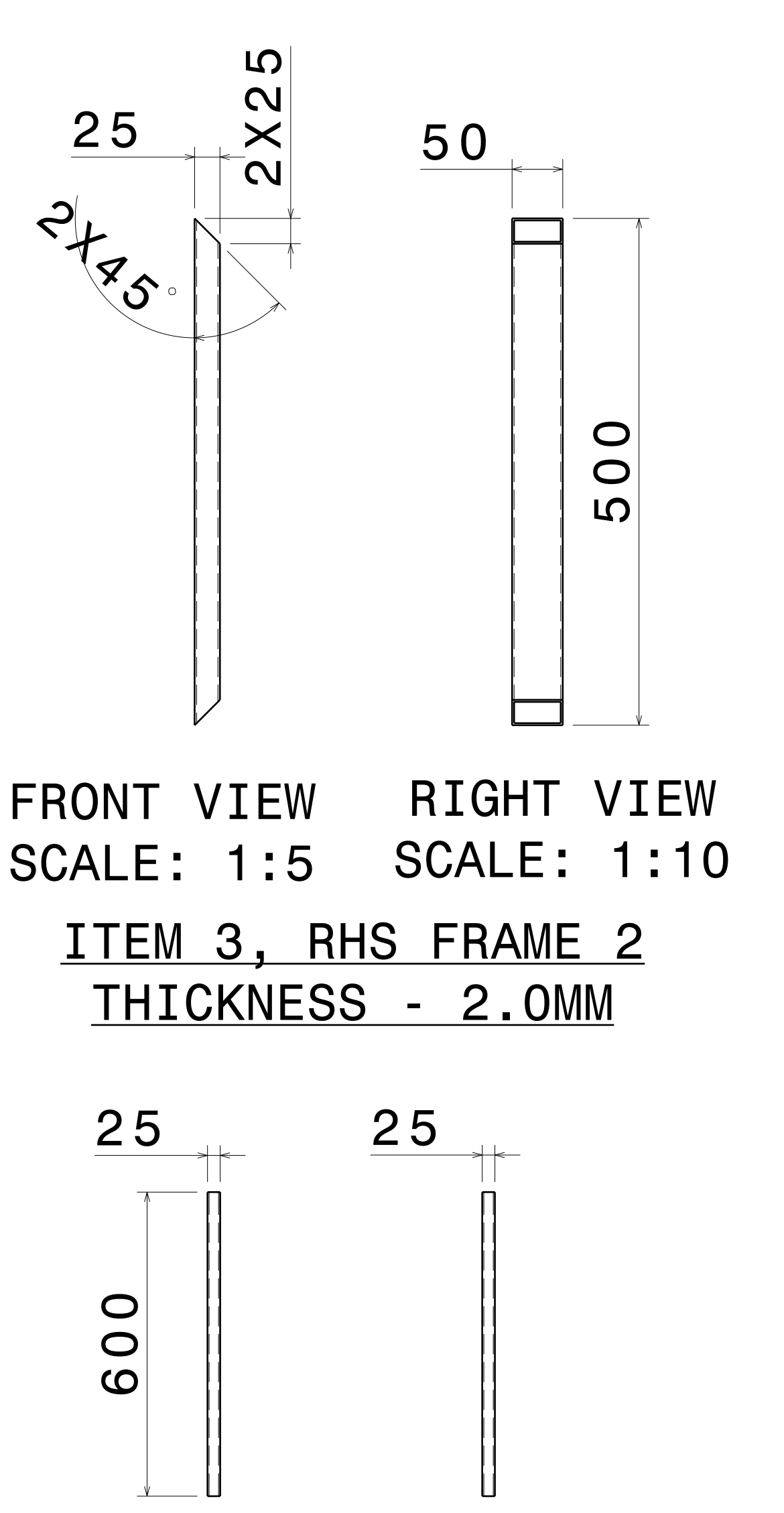
REV	DATE	DESCRIPTION
00	24AUG2020	INITIAL REVISION



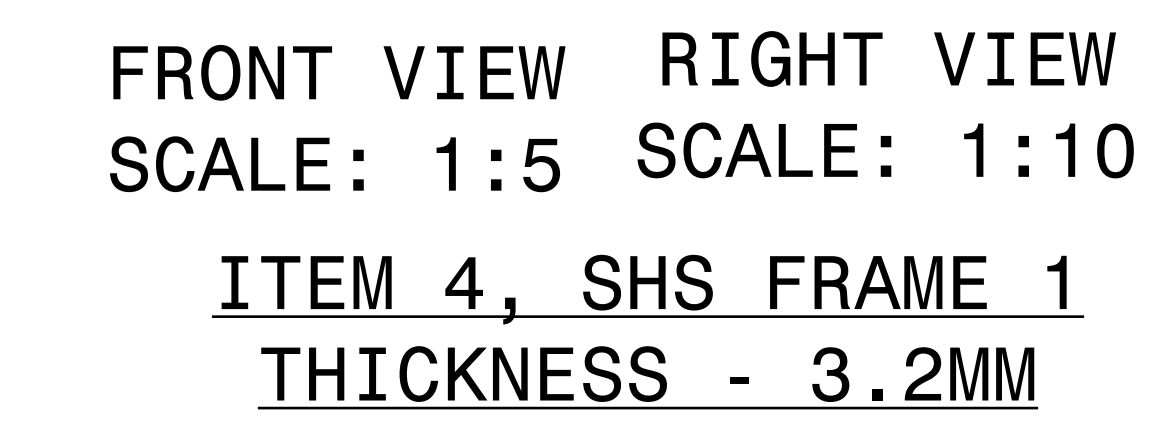
FRONT VIEW RIGHT VIEW
SCALE: 1:10 SCALE: 1:10
ITEM 1, RHS PLANK 1
THICKNESS - 2.0MM



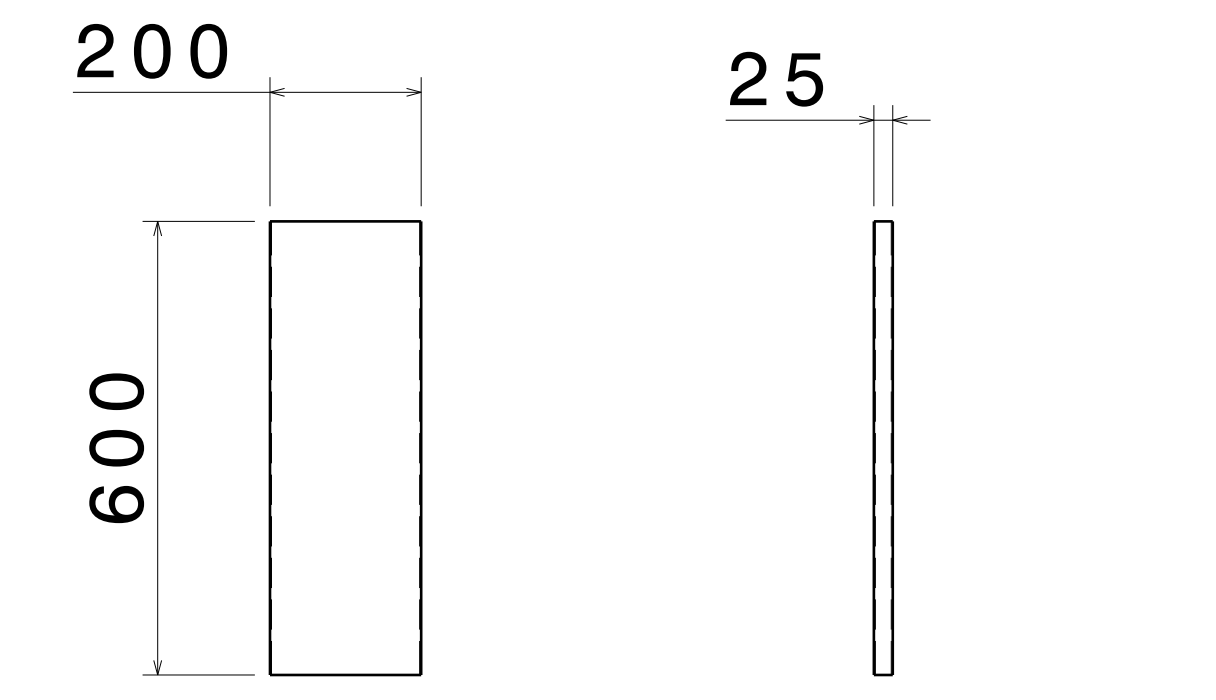
FRONT VIEW RIGHT VIEW
SCALE: 1:10 SCALE: 1:10
ITEM 2, RHS FRAME 1
THICKNESS - 2.0MM



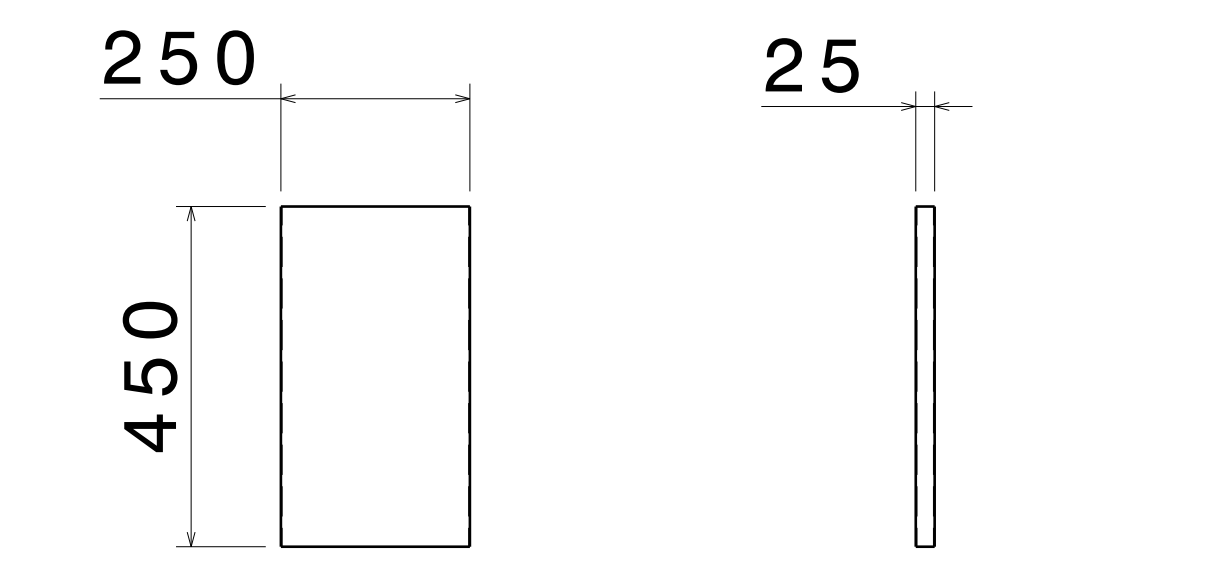
FRONT VIEW RIGHT VIEW
SCALE: 1:5 SCALE: 1:10
ITEM 3, RHS FRAME 2
THICKNESS - 2.0MM



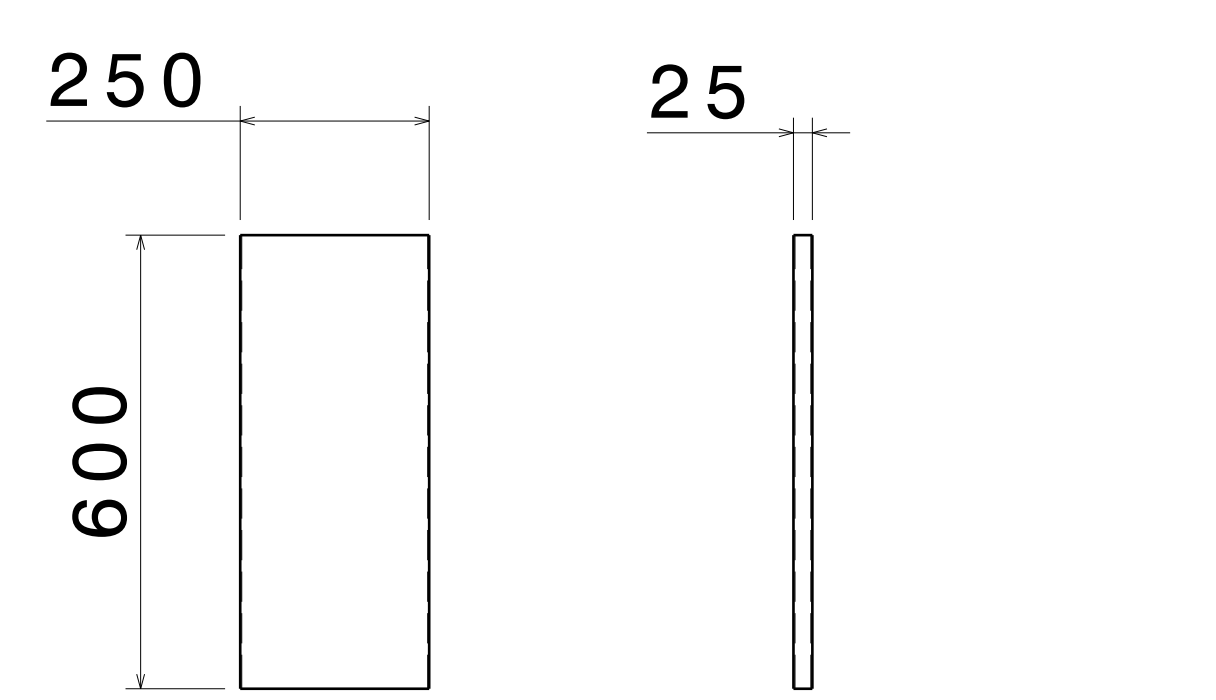
FRONT VIEW RIGHT VIEW
SCALE: 1:5 SCALE: 1:10
ITEM 4, SHS FRAME 1
THICKNESS - 3.2MM



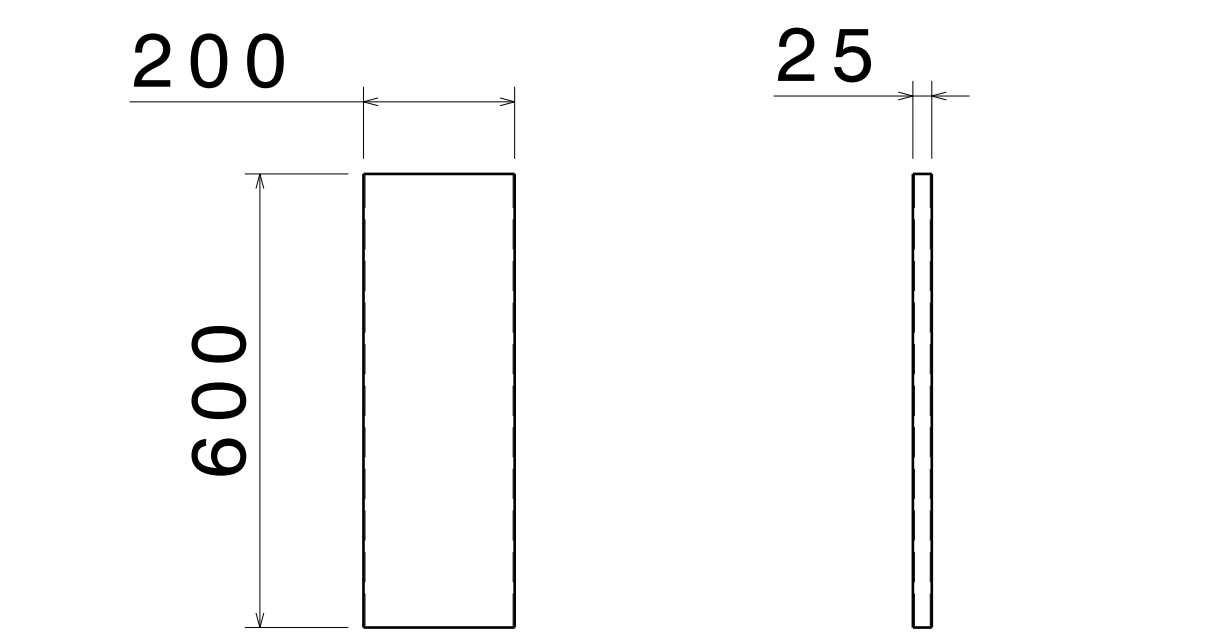
FRONT VIEW RIGHT VIEW
SCALE: 1:10 SCALE: 1:10
ITEM 5, RHS PLANK 2
THICKNESS - 2.0MM



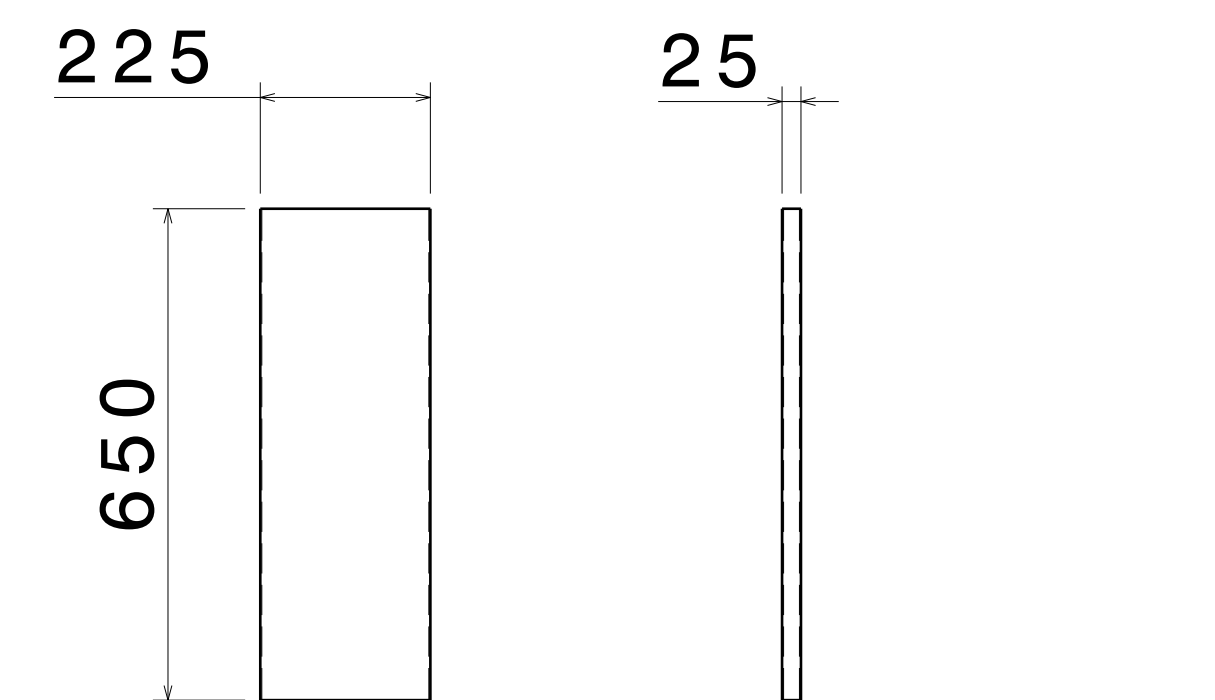
FRONT VIEW RIGHT VIEW
SCALE: 1:10 SCALE: 1:10
ITEM 6, RHS PLANK 3
THICKNESS - 1.6MM



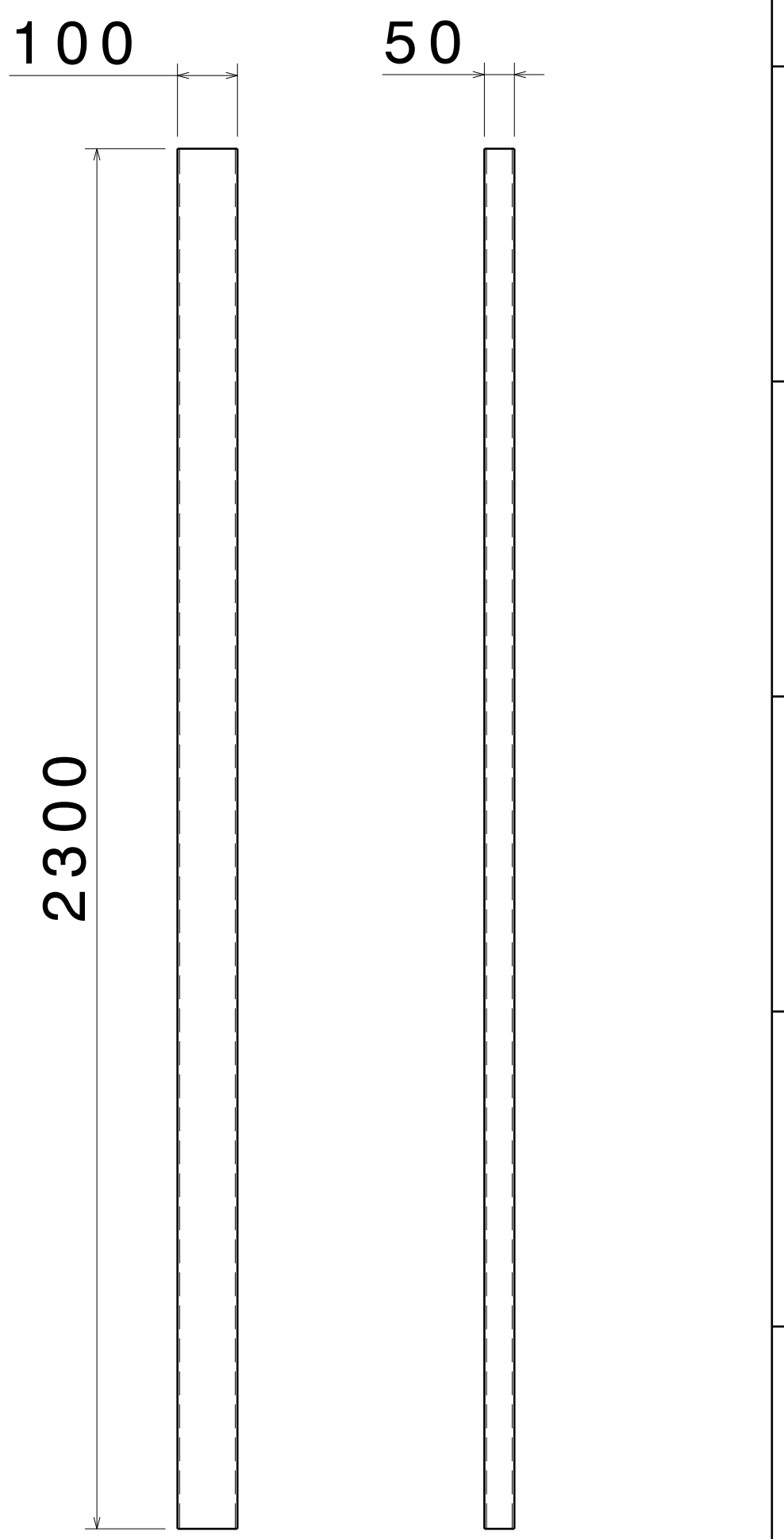
FRONT VIEW RIGHT VIEW
SCALE: 1:10 SCALE: 1:10
ITEM 7, RHS PLANK 4
THICKNESS - 2.0MM



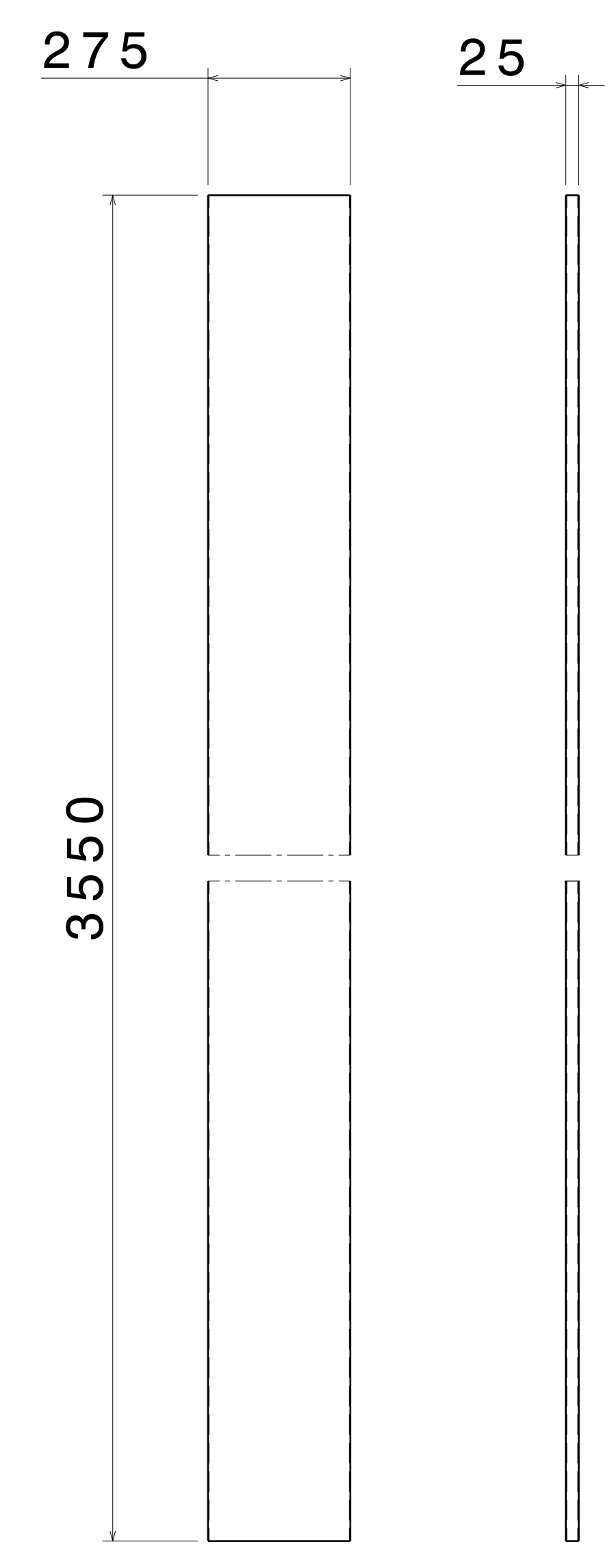
FRONT VIEW RIGHT VIEW
SCALE: 1:10 SCALE: 1:10
ITEM 8, RHS PLANK 5
THICKNESS - 2.0MM



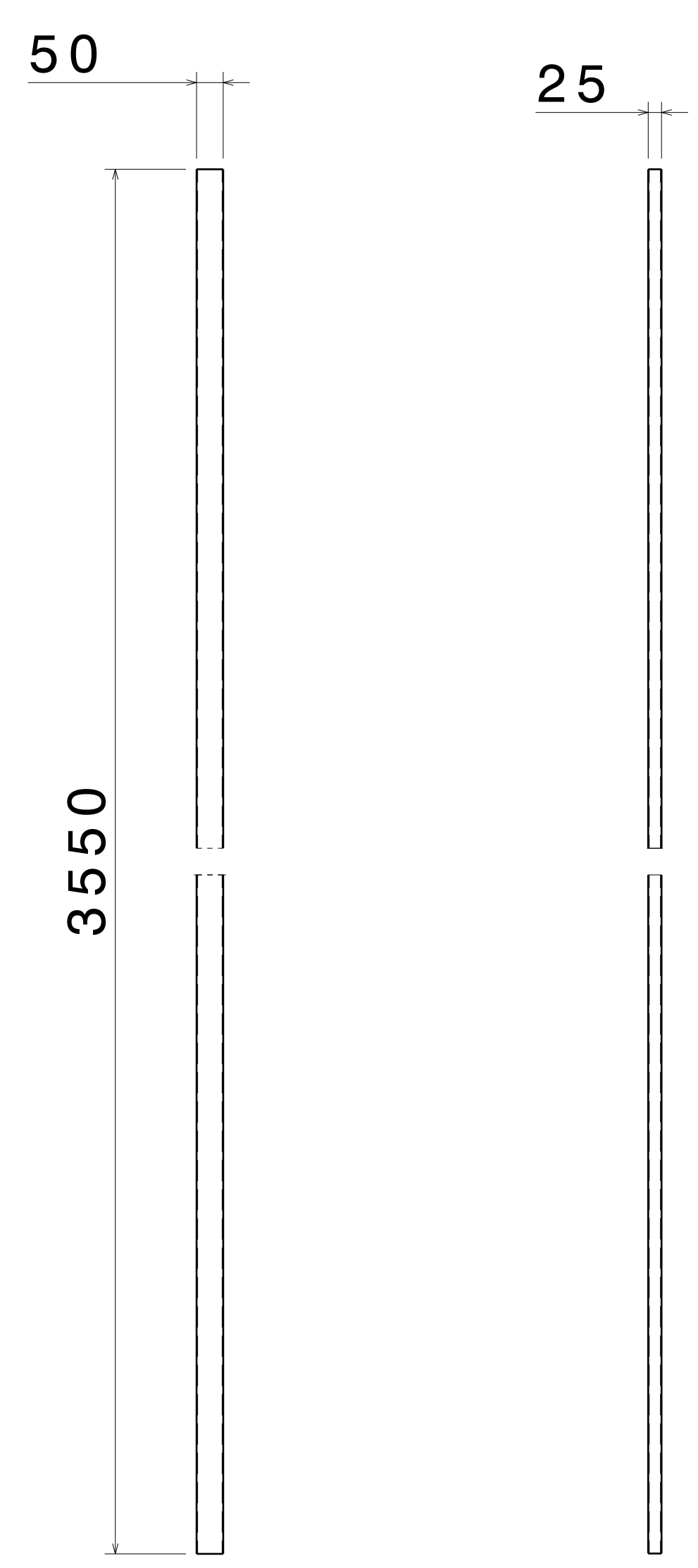
FRONT VIEW RIGHT VIEW
SCALE: 1:10 SCALE: 1:10
ITEM 9, RHS PLANK 6
THICKNESS - 2.0MM



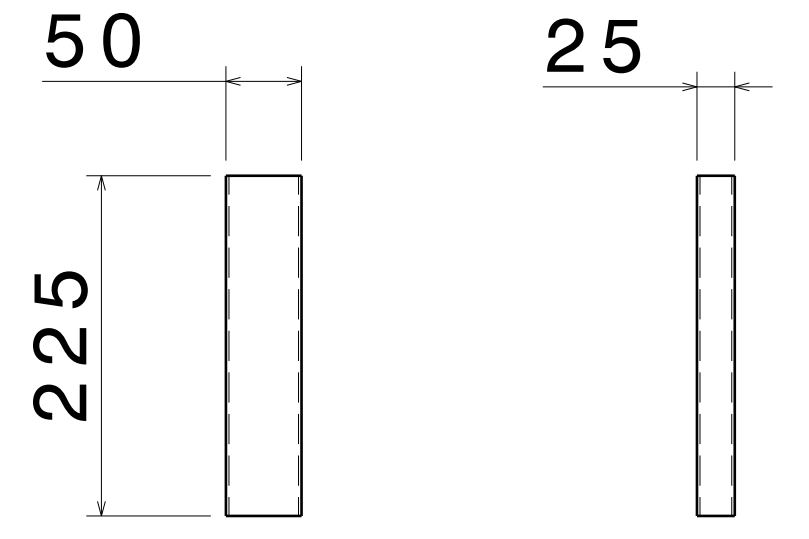
FRONT VIEW RIGHT VIEW
SCALE: 1:10 SCALE: 1:10
ITEM 10, RHS FRAME 3
THICKNESS - 3.6MM



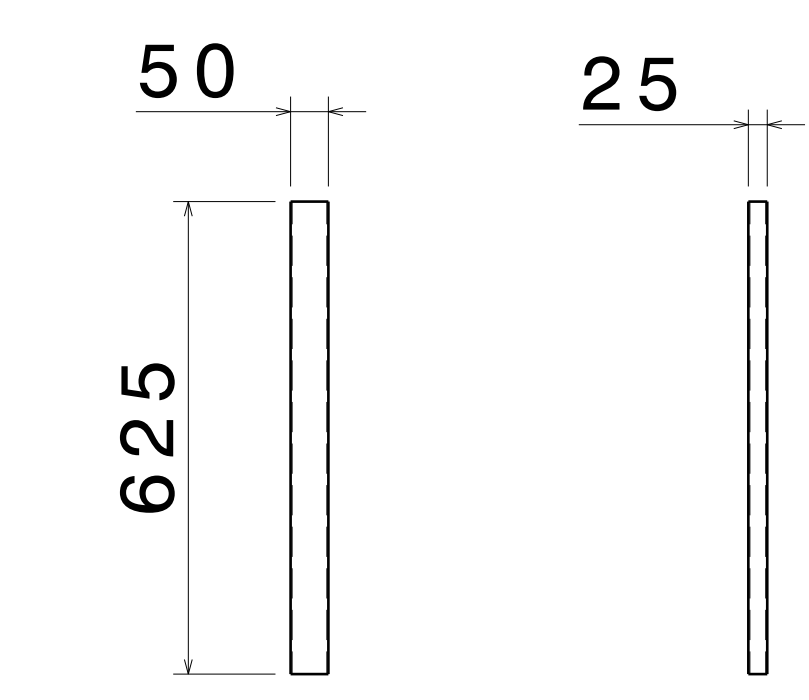
FRONT VIEW RIGHT VIEW
SCALE: 1:10 SCALE: 1:10
ITEM 11, RHS PLANK 7
THICKNESS - 2.0MM



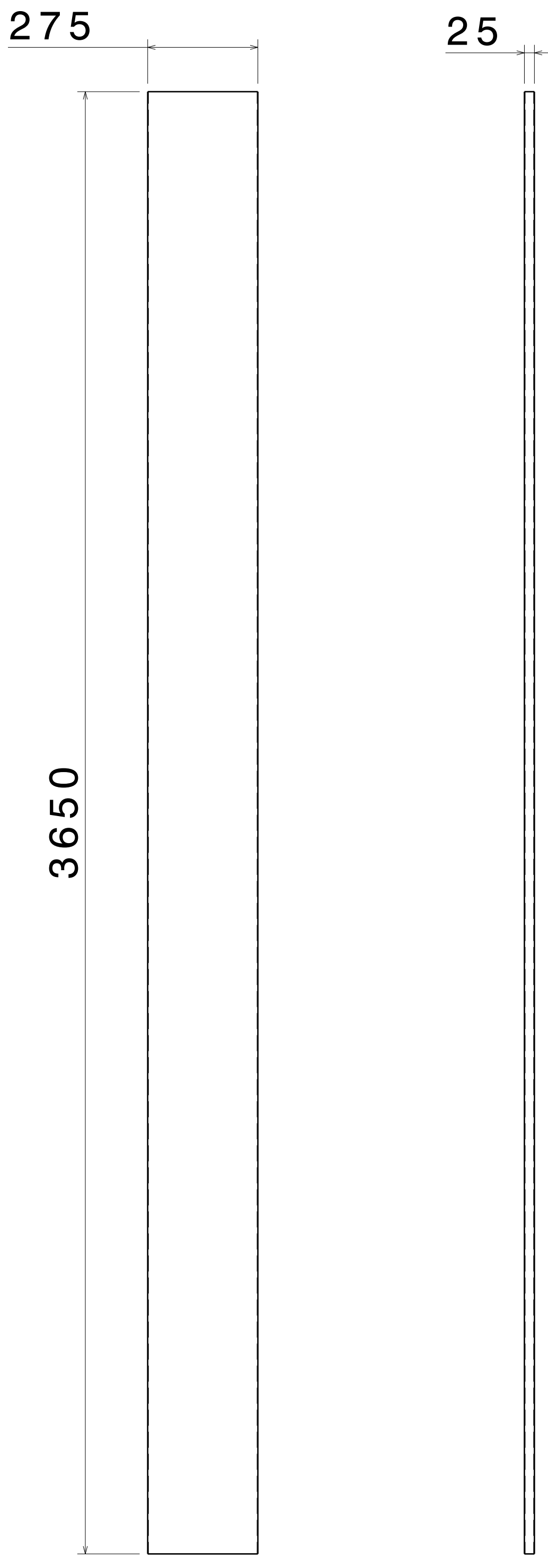
FRONT VIEW RIGHT VIEW
SCALE: 1:10 SCALE: 1:10
ITEM 12, RHS FRAME 4
THICKNESS - 2.0MM



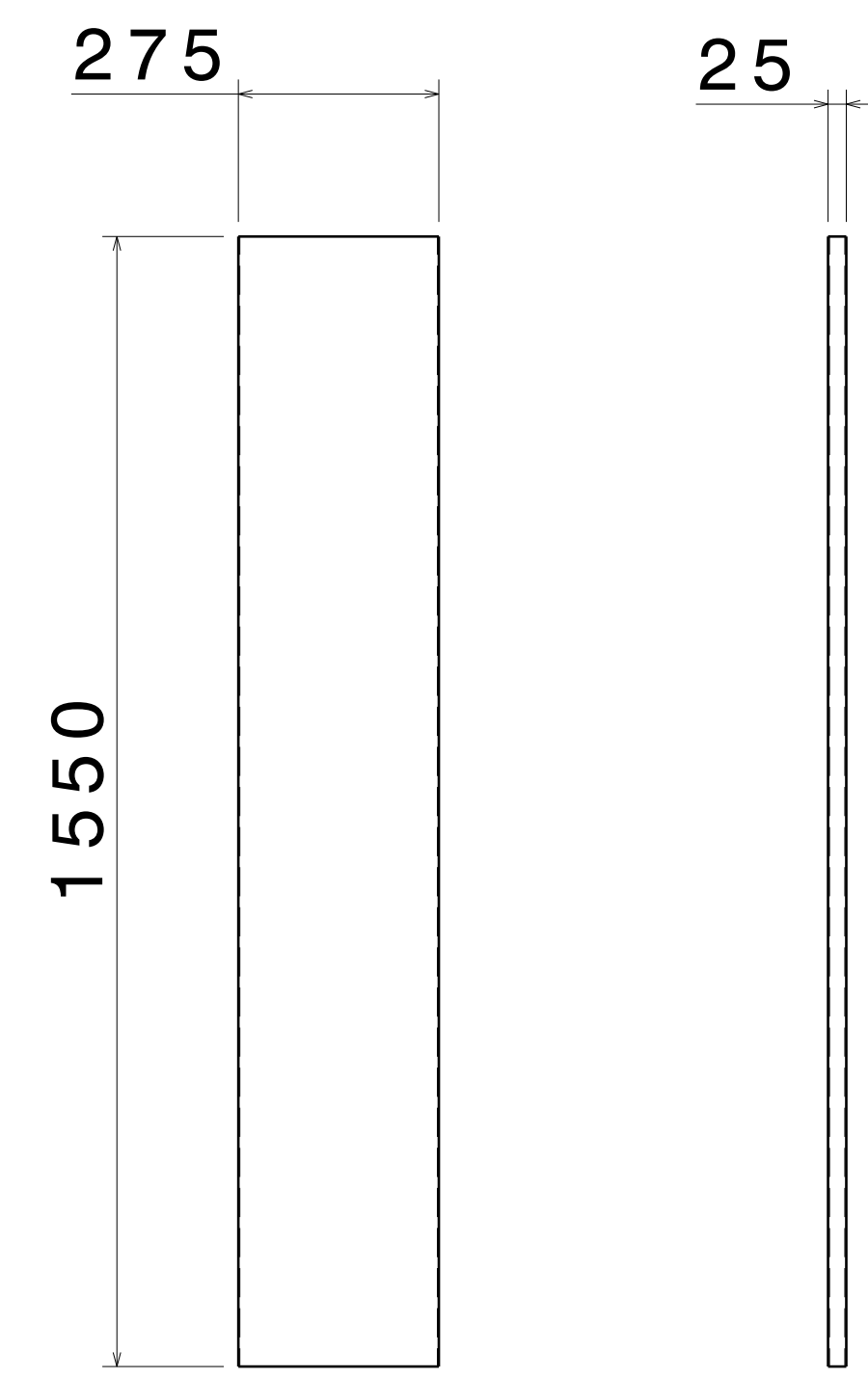
FRONT VIEW RIGHT VIEW
SCALE: 1:5 SCALE: 1:5
ITEM 13, RHS FRAME 5
THICKNESS - 2.0MM



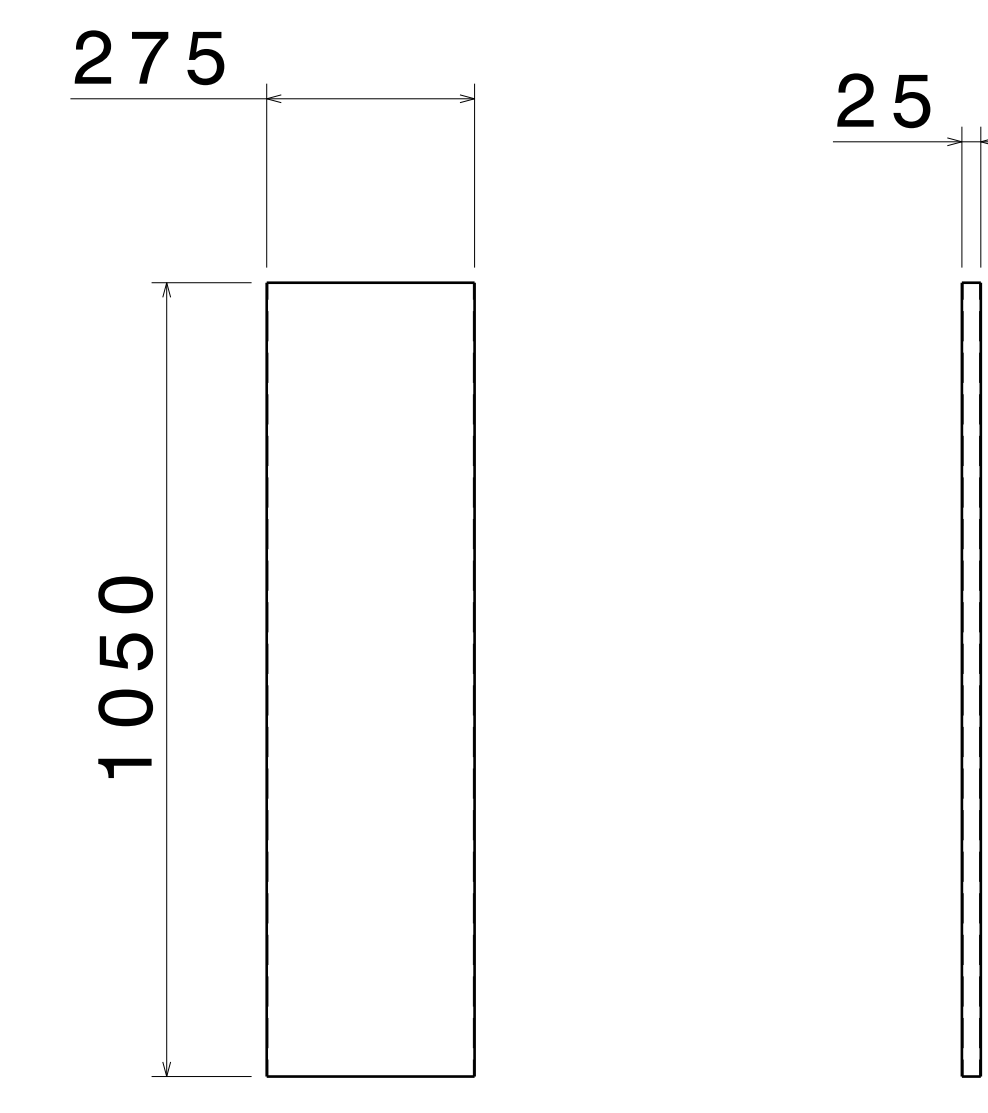
FRONT VIEW RIGHT VIEW
SCALE: 1:10 SCALE: 1:10
ITEM 14, RHS FRAME 6
THICKNESS - 2.0MM



FRONT VIEW RIGHT VIEW
SCALE: 1:10 SCALE: 1:10
ITEM 15, RHS PLANK 8
THICKNESS - 2.0MM

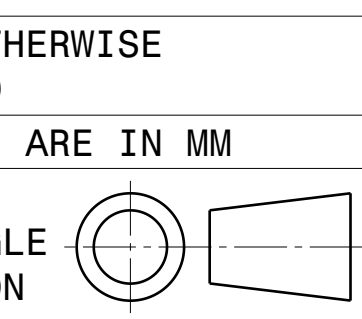


FRONT VIEW RIGHT VIEW
SCALE: 1:10 SCALE: 1:10
ITEM 16, RHS PLANK 9
THICKNESS - 2.0MM



FRONT VIEW RIGHT VIEW
SCALE: 1:10 SCALE: 1:10
ITEM 17, RHS PLANK 10
THICKNESS - 1.6MM

UNLESS OTHERWISE SPECIFIED DIMENSION ARE IN MM VIEWS: THIRD ANGLE PROJECTION



This drawing is our property. It can't be reproduced or communicated without our written agreement.		APL APOLLO TUBES LTD.	
DRAWN BY: SB		DATE: 24AUG2020	
CHECKED BY: P2P Analysis & Solutions		DATE: 24AUG2020	
DESIGNED BY: P2P Analysis & Solutions		DATE: 24AUG2020	
DRAWING TITLE: NOV 20 01		SIZE: A0	DRAWING NUMBER: P2P NOV 20 01
SCALE: NONE	WEIGHT(kg): XXX	REV: 00	SHEET 3 OF 3