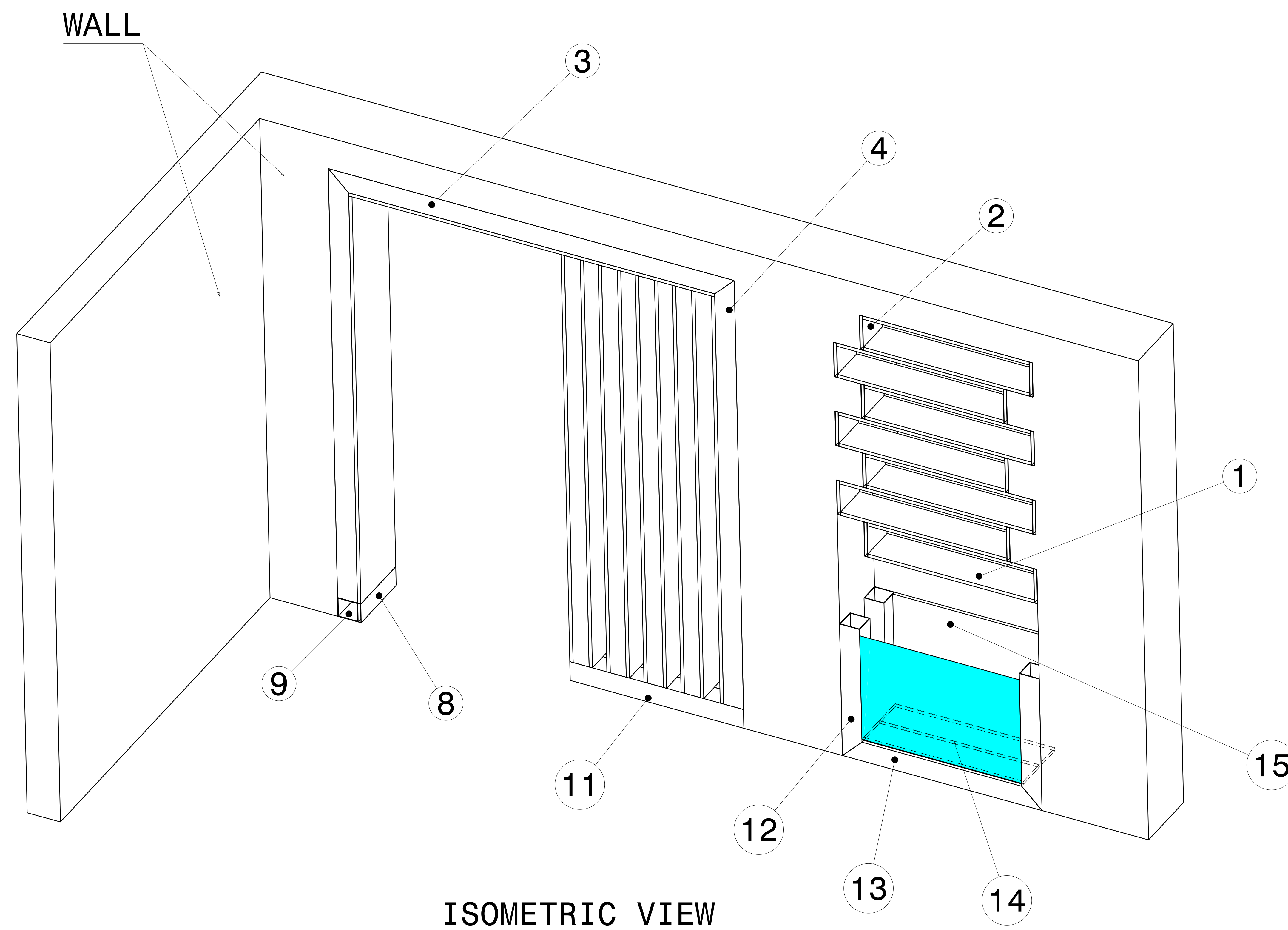
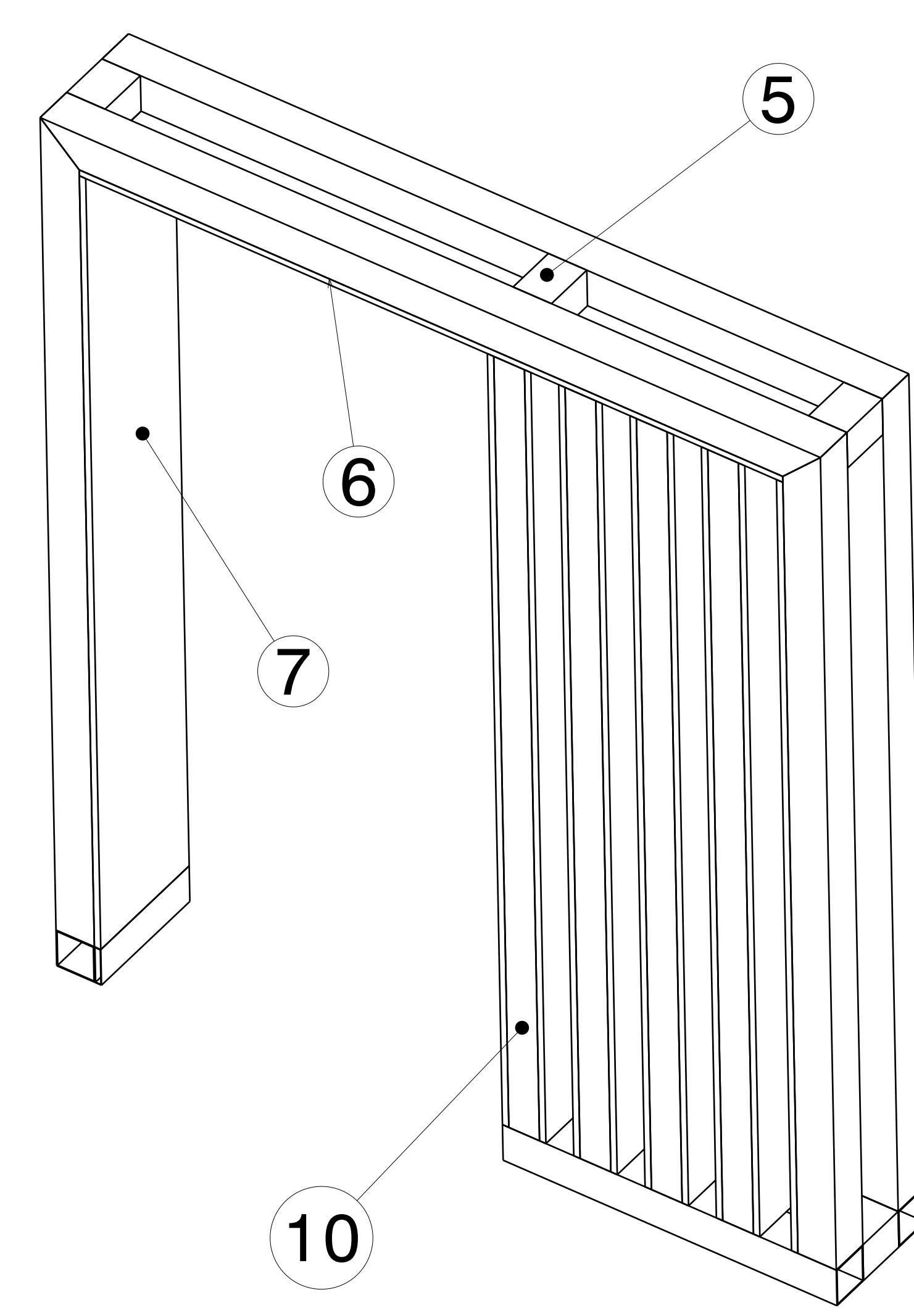


REV/DATE	DESCRIPTION
00 / 22NOV2020	INITIAL REVISION

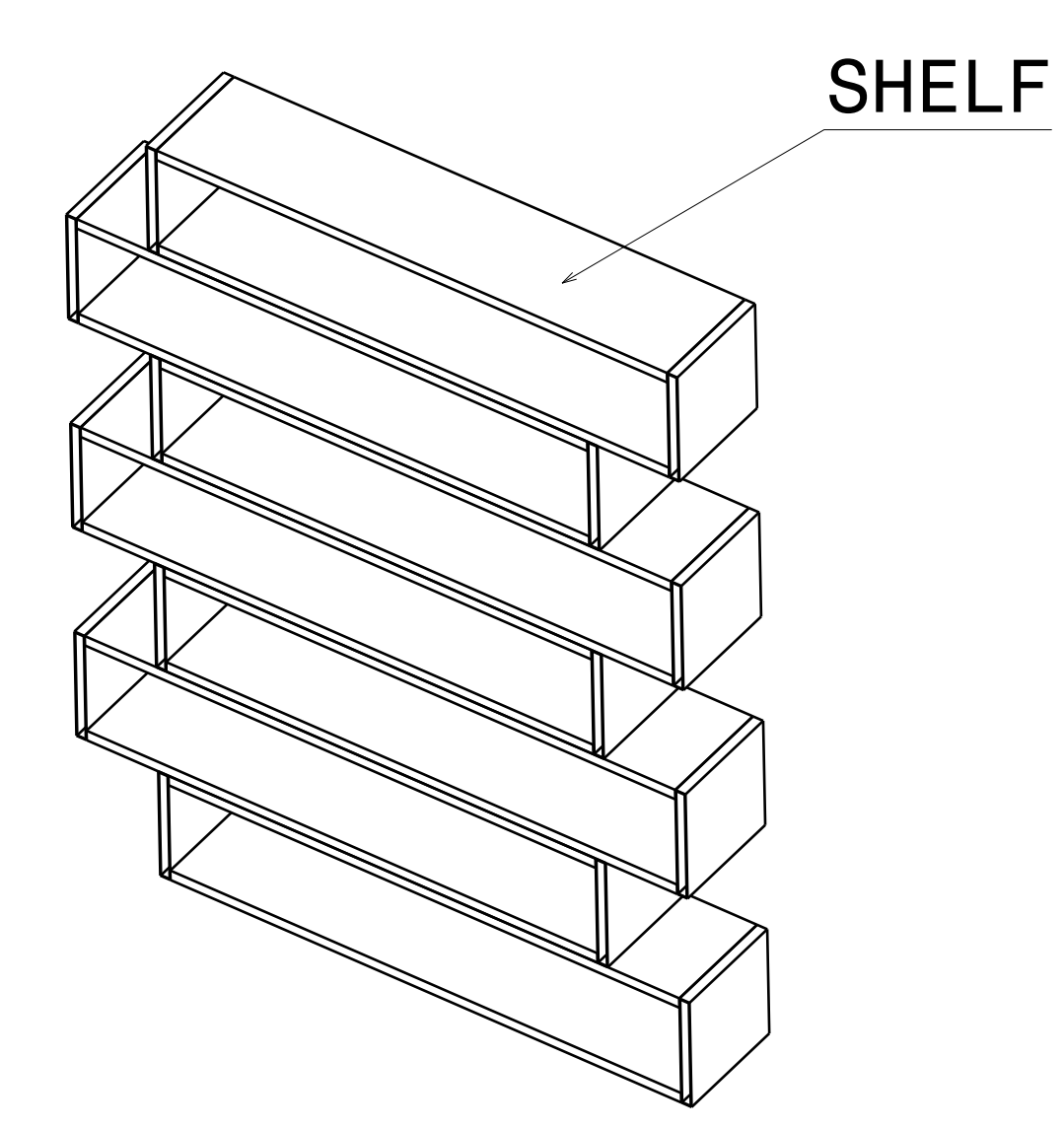
- NOTES:
- (⊥) ALL VERTICAL SUPPORTS ARE PERPENDICULAR.
 - FLATNESS OF .5MM IS APPLIED BY DEFAULT.
 - ⊲ WELD BEAD OF 2MM RADIUS IS FOLLOWED.
 - ▽ SURFACE FINISH MEDIUM TO SMOOTH IS USED.
 - ALL TUBES ARE AS PER APL APOLLO STANDARD. CHANGES MAY EFFECT THE LOAD CAPACITY.
 - ALL HORIZONTAL AND VERTICAL TUBES ARE PERPENDICULAR TO EACH OTHER WITH ±1 DEG.
 - FINE WELDING IS REQUIRED AS PER MENTIONED DETAILS AND FINISHING.
 - HIGHER CURRENT WELDING MAY AFFECT THE BRITTLENESS OF MATERIAL WHICH LATER MAY RAISE TO WEAKENING OF STRUCTURE.
 - FABRICATORS ARE ALLOWED TO USE FITTINGS/FRAMES/SUPPORTS AS NEEDED AND THE SAME MUST BE COMMUNICATED BACK TO ENGINEERING TEAM.
 - BOP COMPONENT WEIGHTS ARE FOR REFERENCE ONLY AND SUBJECTED TO CHANGE PER PURCHASED COMPONENTS.



ISOMETRIC VIEW
SCALE : 1:15



ISOMETRIC VIEW
SCALE : 1:15



ITEM NO.	PART NUMBER	DESCRIPTION	QTY.	Wt (kg)/Each
15	RHS PLANK 7	150 X 25 X 1.6 X 1200	6	5.19
14	RHS PLANK 6	225 X 25 X 2 X 1200	2	9.28
13	SHS FRAME 6	150 X 150 X 4 X 1500	2	24.79
12	SHS FRAME 6	150 X 150 X 4 X 1050	4	17.90
11	SHS FRAME 5	150 X 150 X 4 X 1305	2	23.96
10	RHS FRAME 1	120 X 60 X 3.2 X 3250	8	28.38
9	SHS FRAME 4	150 X 150 X 4 X 500	1	9.18
8	RHS PLANK 5	150 X 25 X 2 X 500	1	2.69
7	RHS PLANK 4	250 X 25 X 1.6 X 3250	20	22.22
6	RHS PLANK 3	250 X 25 X 1.6 X 2750	2	18.8
5	SHS FRAME 3	150 X 150 X 4 X 200	5	3.67
4	SHS FRAME 2	150 X 150 X 4 X 3425	4	61.5
3	SHS FRAME 1	150 X 150 X 4 X 3050	2	53.25
2	RHS PLANK 2	275 X 25 X 2 X 275	14	2.56
1	RHS PLANK 1	275 X 25 X 2 X 1250	14	11.63

This drawing is our property. It can't be reproduced or communicated without our written agreement.

APL APOLLO TUBES LTD.

DRAWING TITLE: NOV 20 03

SCALE: A0, P2P NOV 20 03, REV 00

UNLESS OTHERWISE SPECIFIED DIMENSION ARE IN MM VIEWS: THIRD ANGLE PROJECTION

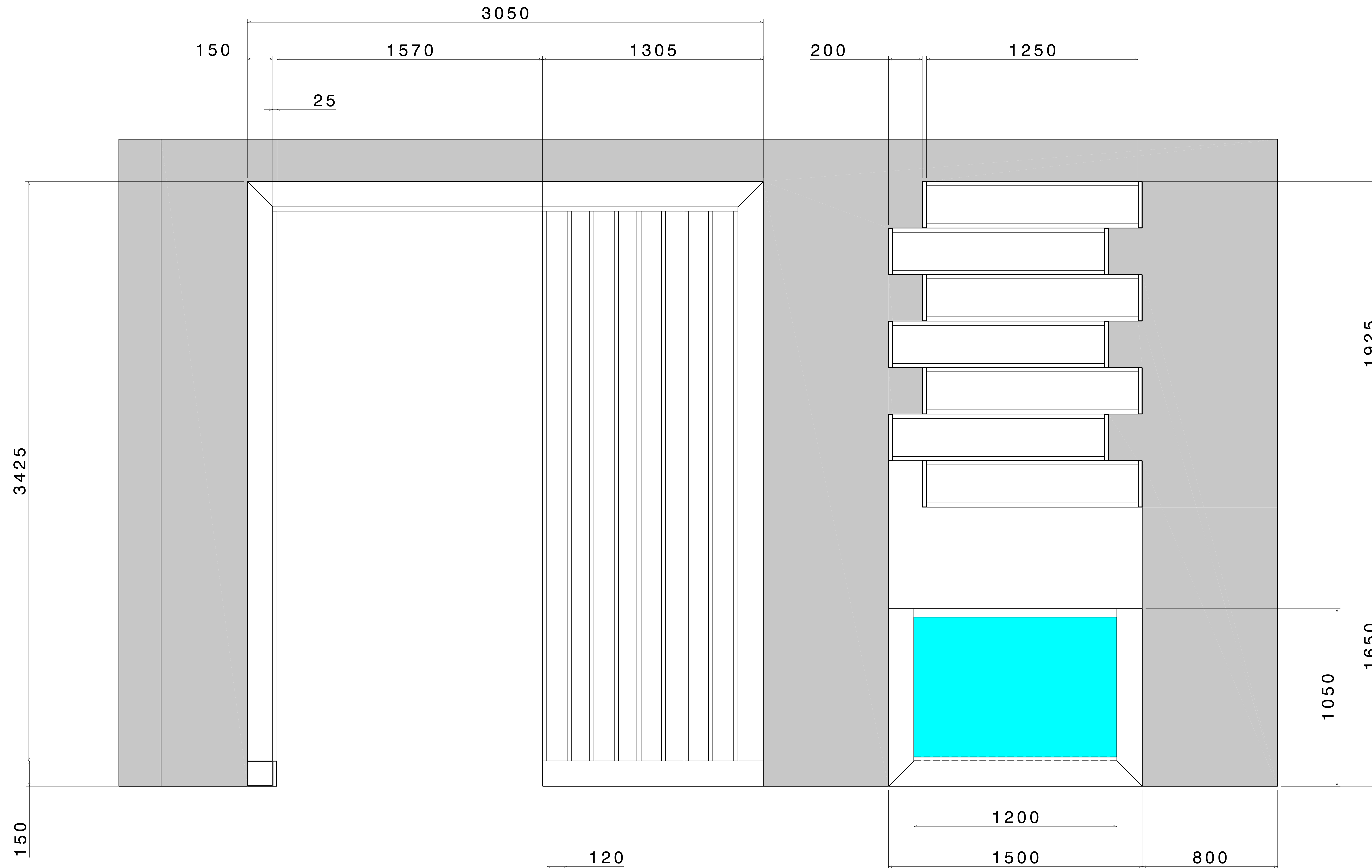
DESIGNED BY: P2P Analysis & Solutions, DATE: 22NOV2020

CHECKED BY: P2P Analysis & Solutions, DATE: 22NOV2020

DRAWN BY: XX, DATE: 22NOV2020

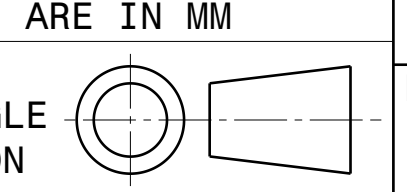
WEIGHT (kg): 0kg, SHEET 1 OF 3


REV	DATE	DESCRIPTION
00	22NOV2020	INITIAL REVISION



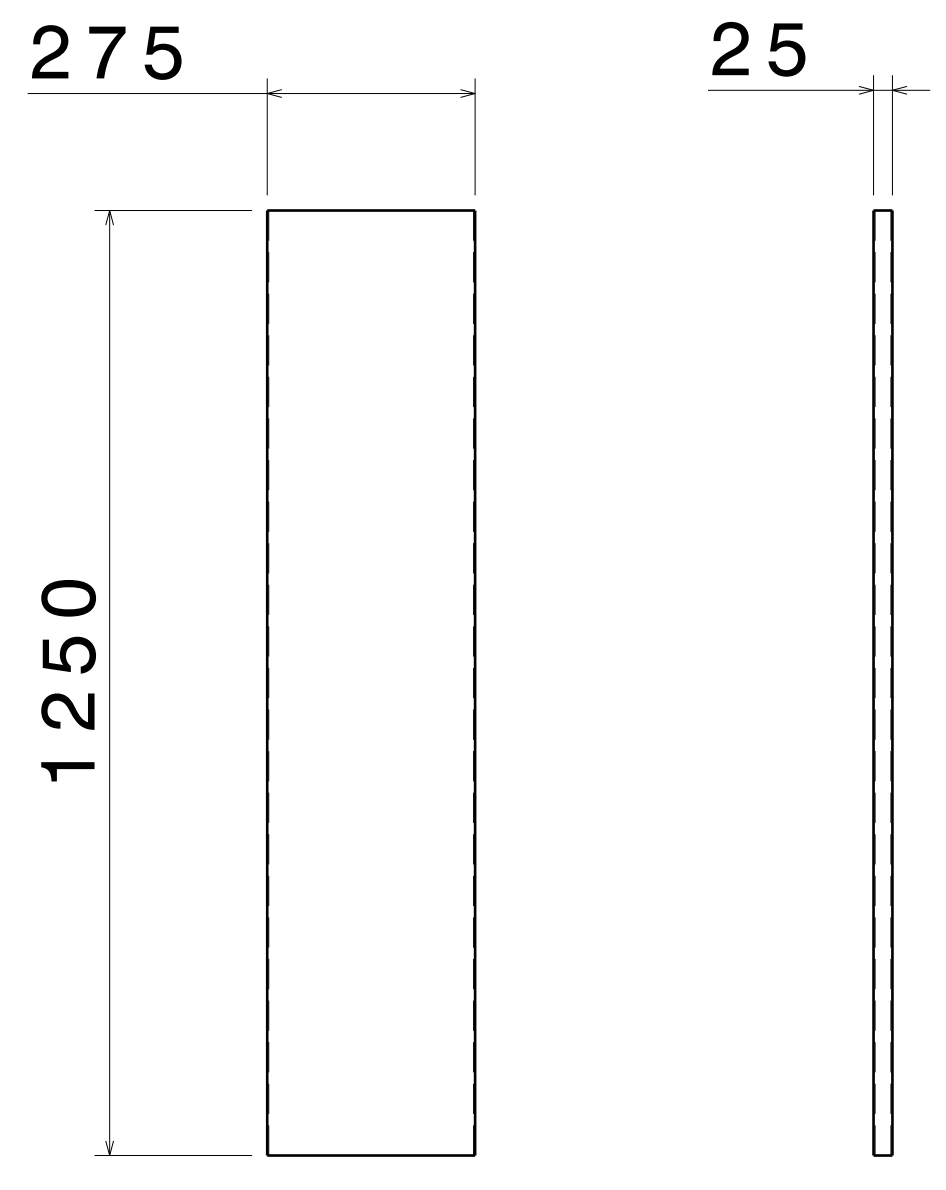
FRONT VIEW
SCALE : 1:10

UNLESS OTHERWISE SPECIFIED DIMENSION ARE IN MM
VIEWS: THIRD ANGLE PROJECTION



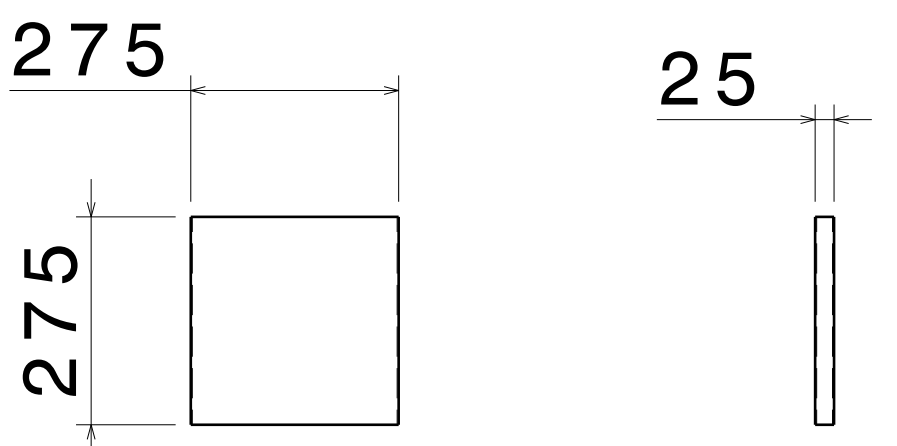
This drawing is our property. It can't be reproduced or communicated without our written agreement.		APL APOLLO TUBES LTD. 	
DRAWN BY SB		DATE 22NOV2020	
CHECKED BY P2P Analysis & Solutions		DATE 22NOV2020	
DESIGNED BY P2P Analysis & Solutions		DATE 22NOV2020	
DRAWING TITLE NOV 20 03		SIZE A0	DRAWING NUMBER P2P NOV 20 03
SCALE NONE		WEIGHT (kg) XXX	REV 00
		SHEET 2 OF 3	

REV	DATE	DESCRIPTION
00	22NOV2020	INITIAL REVISION



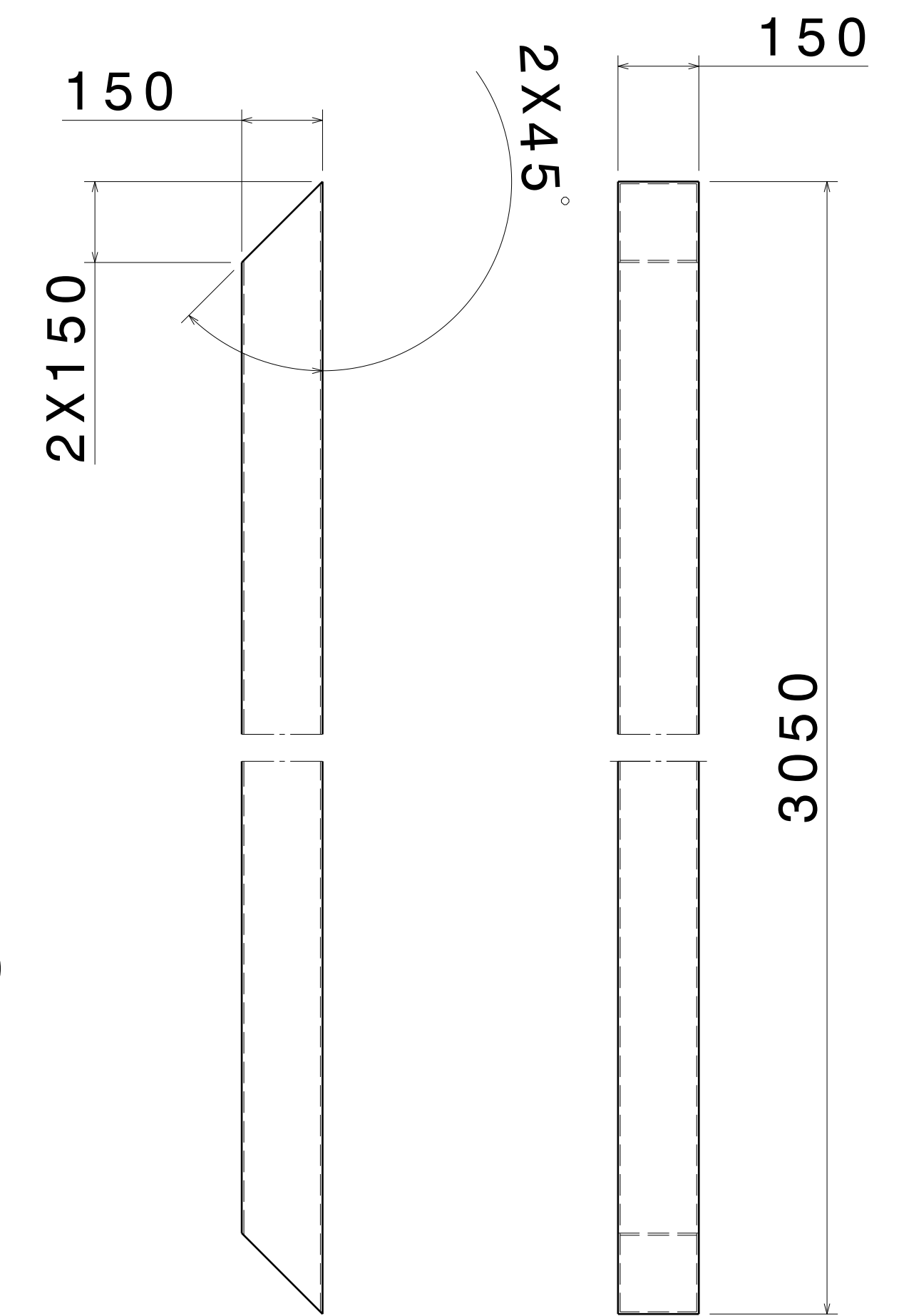
FRONT VIEW RIGHT VIEW
SCALE: 1:10 SCALE: 1:10

ITEM 1, RHS PLANK 1
THICKNESS - 2.0MM



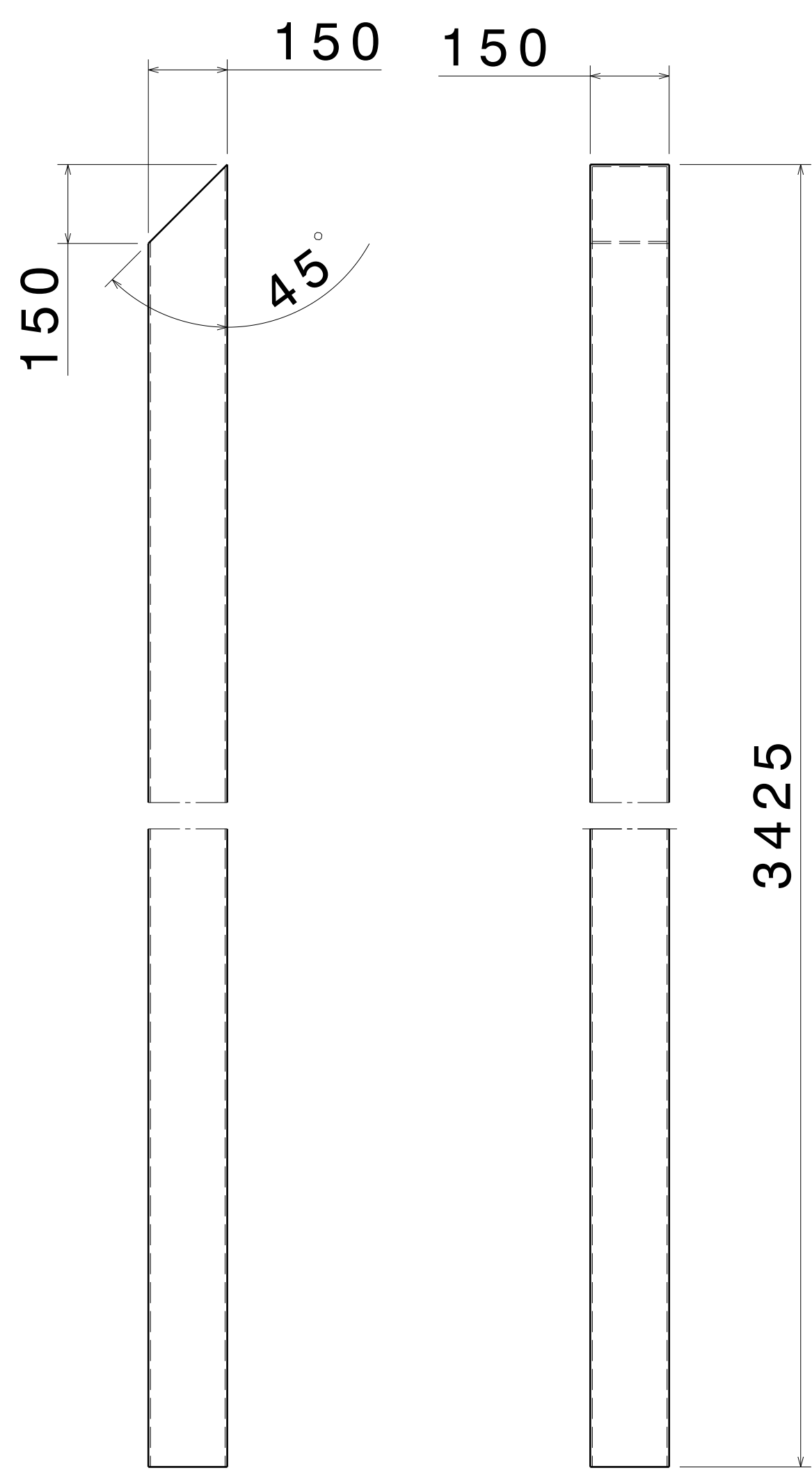
FRONT VIEW RIGHT VIEW
SCALE: 1:10 SCALE: 1:10

ITEM 2, RHS PLANK 2
THICKNESS - 2.0MM



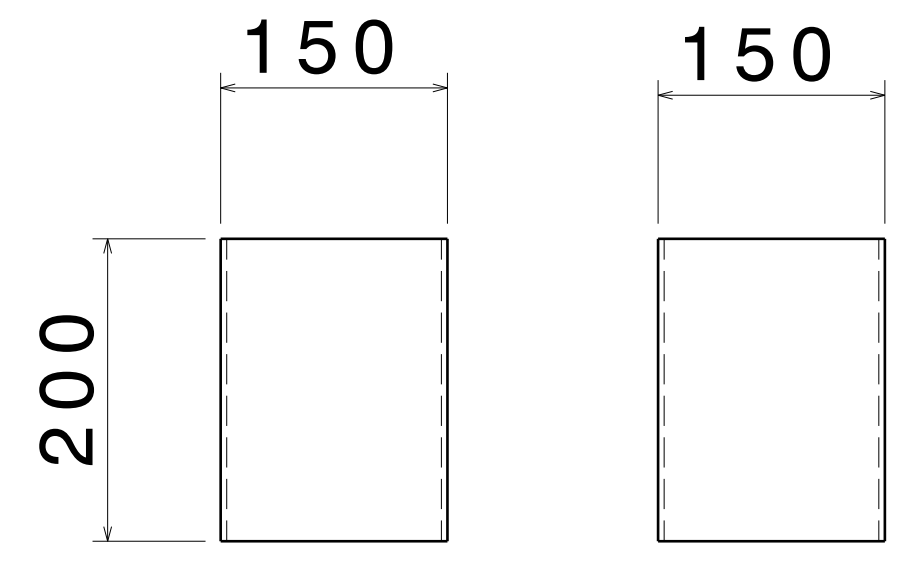
FRONT VIEW RIGHT VIEW
SCALE: 1:10 SCALE: 1:10

ITEM 3, SHS FRAME 1
THICKNESS - 4.0MM



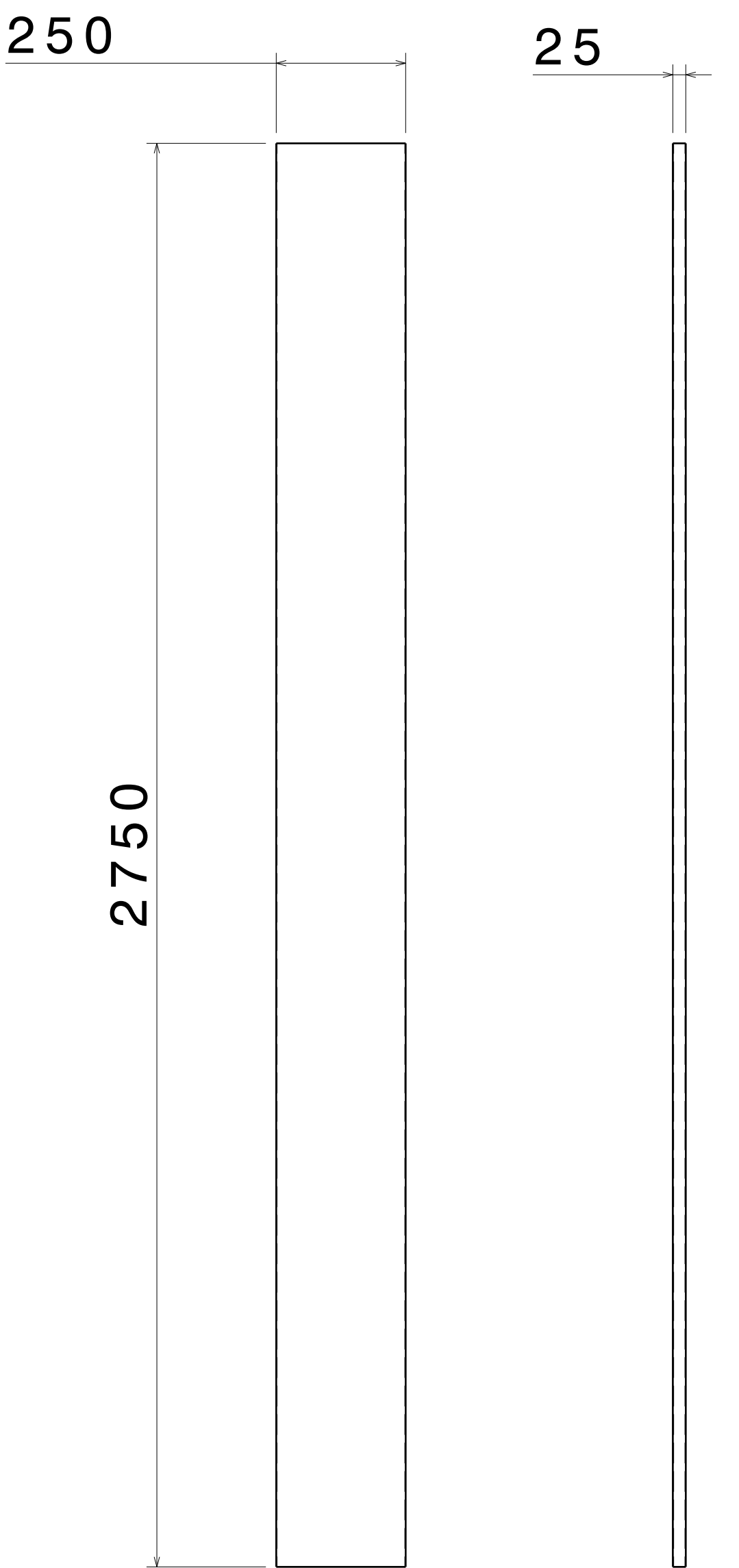
FRONT VIEW RIGHT VIEW
SCALE: 1:10 SCALE: 1:10

ITEM 4, SHS FRAME 2
THICKNESS - 4.0MM



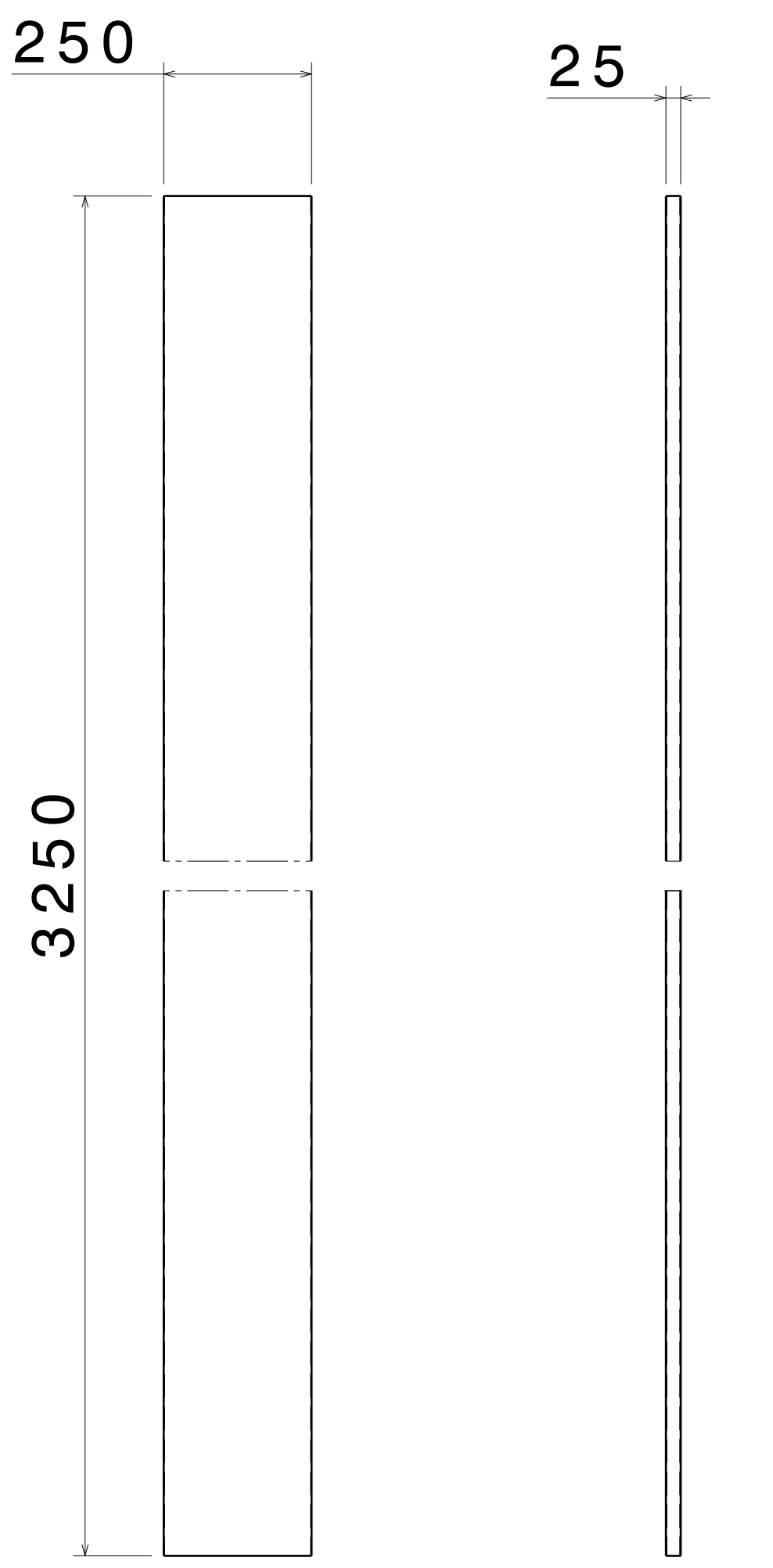
FRONT VIEW RIGHT VIEW
SCALE: 1:5 SCALE: 1:5

ITEM 5, SHS FRAME 3
THICKNESS - 4.0MM



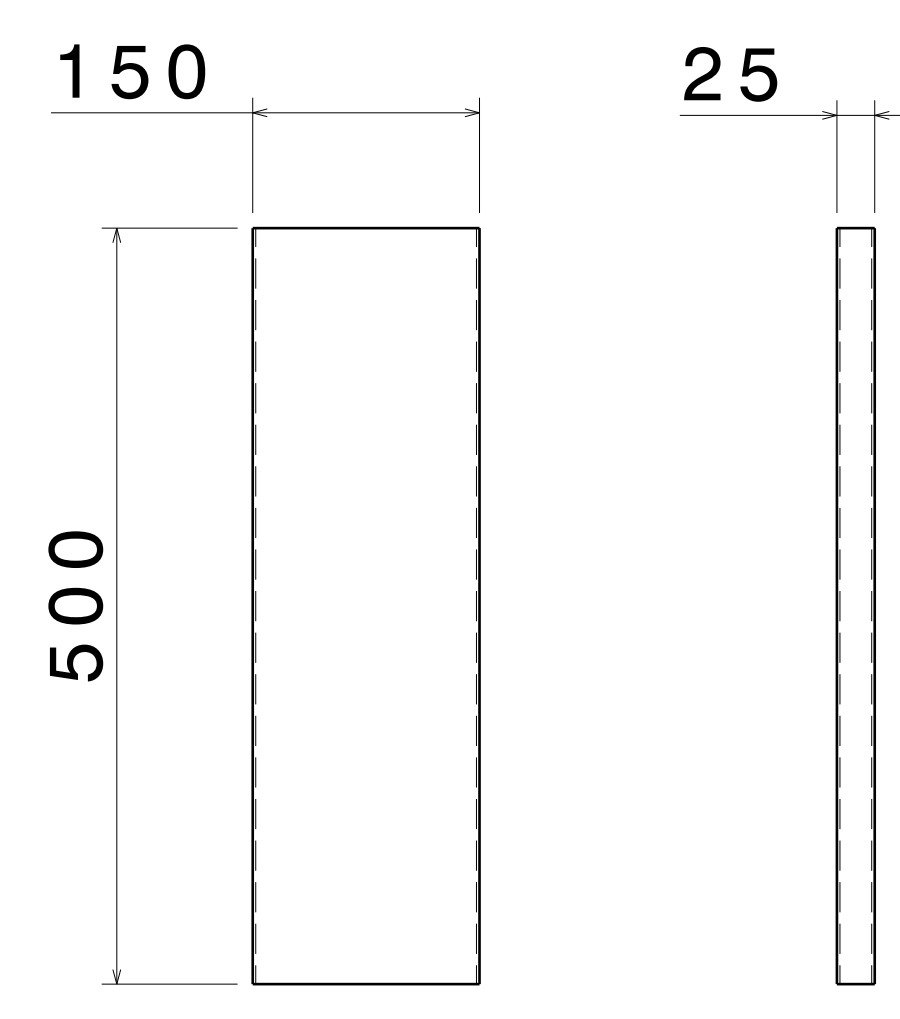
FRONT VIEW RIGHT VIEW
SCALE: 1:10 SCALE: 1:10

ITEM 6, RHS PLANK 3
THICKNESS - 1.6MM



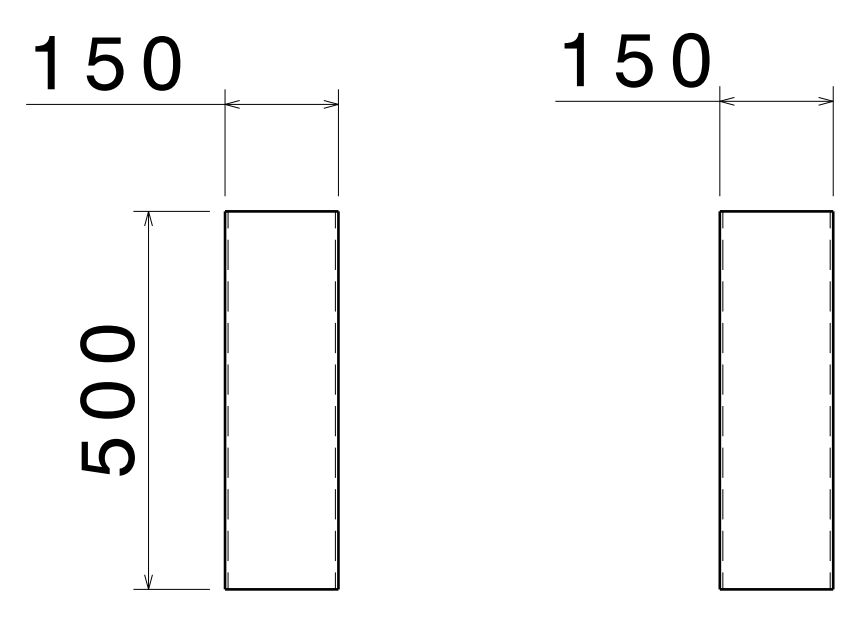
FRONT VIEW RIGHT VIEW
SCALE: 1:10 SCALE: 1:10

ITEM 7, RHS PLANK 4
THICKNESS - 1.6MM



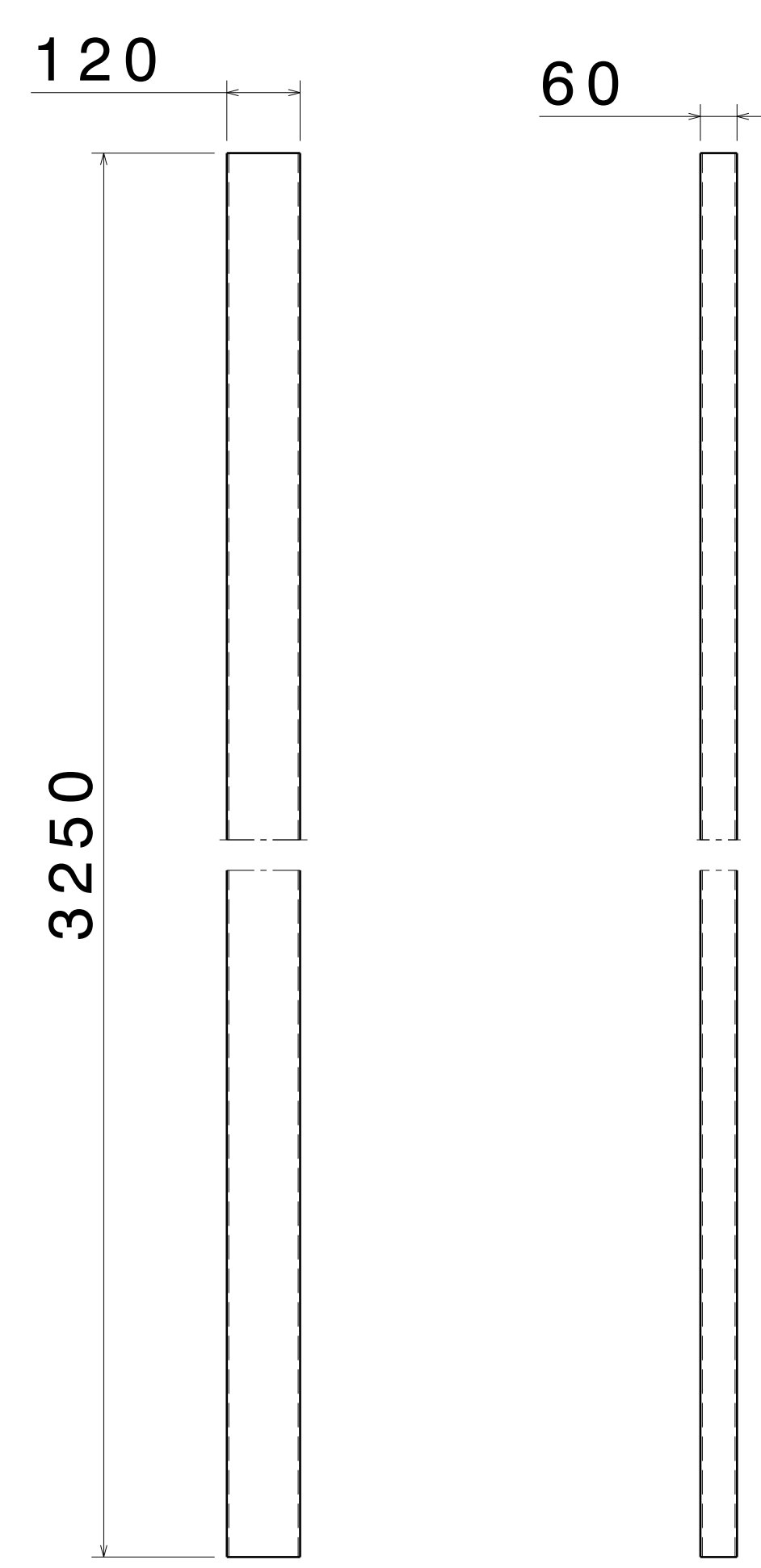
FRONT VIEW RIGHT VIEW
SCALE: 1:5 SCALE: 1:5

ITEM 8, RHS PLANK 5
THICKNESS - 2.0MM



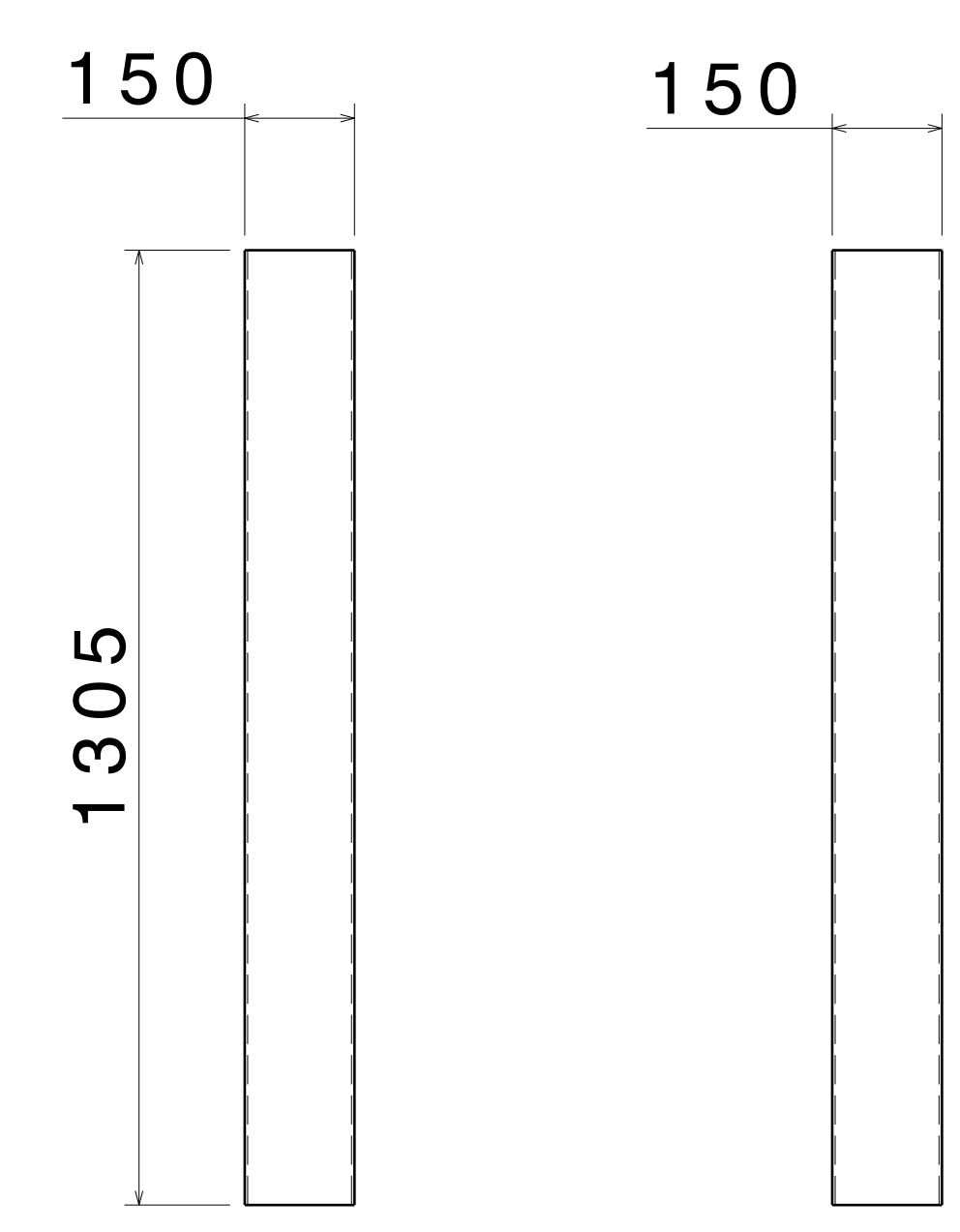
FRONT VIEW RIGHT VIEW
SCALE: 1:10 SCALE: 1:10

ITEM 9, SHS FRAME 4
THICKNESS - 4.0MM



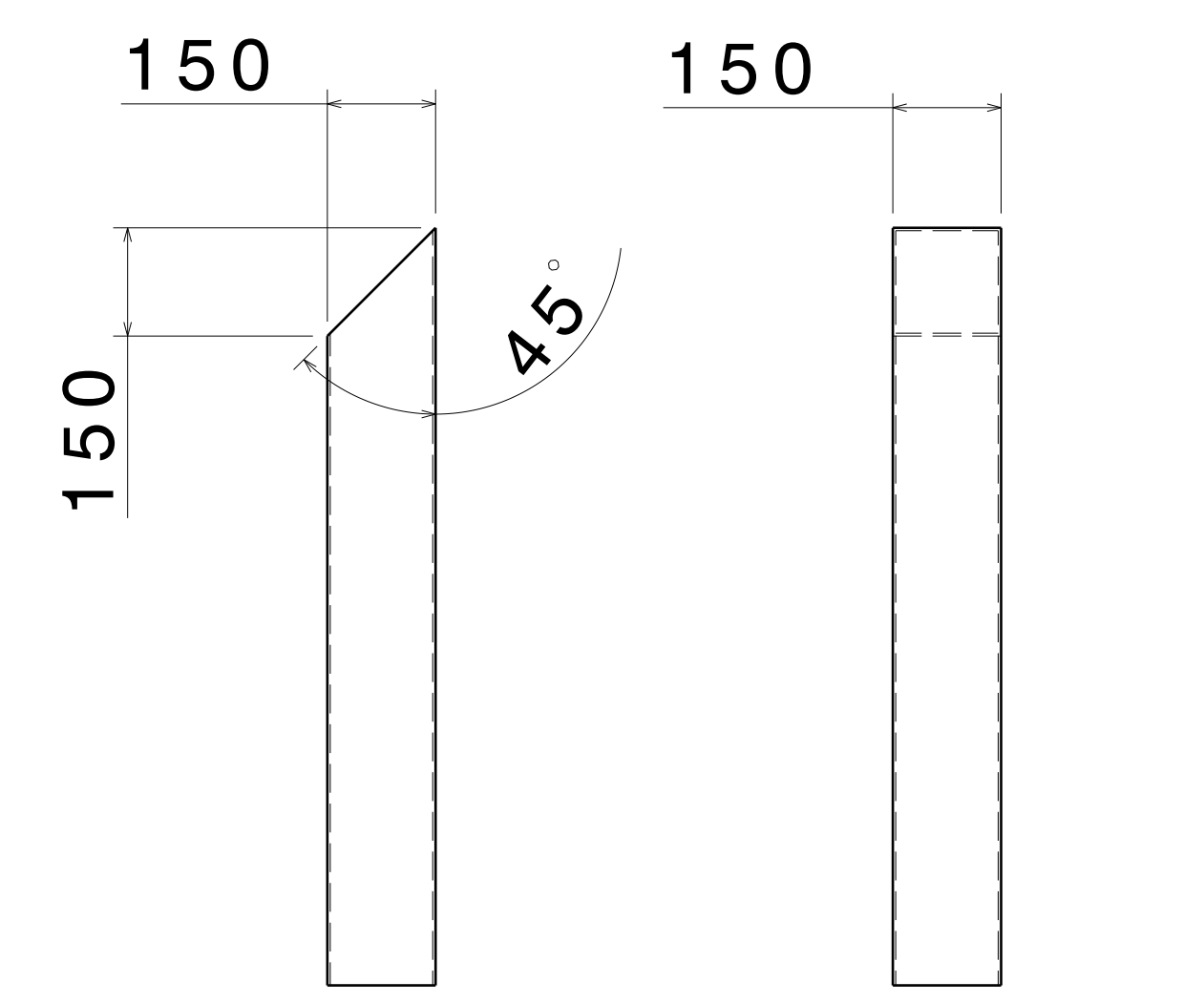
FRONT VIEW RIGHT VIEW
SCALE: 1:10 SCALE: 1:10

ITEM 10, RHS FRAME 1
THICKNESS - 3.2MM



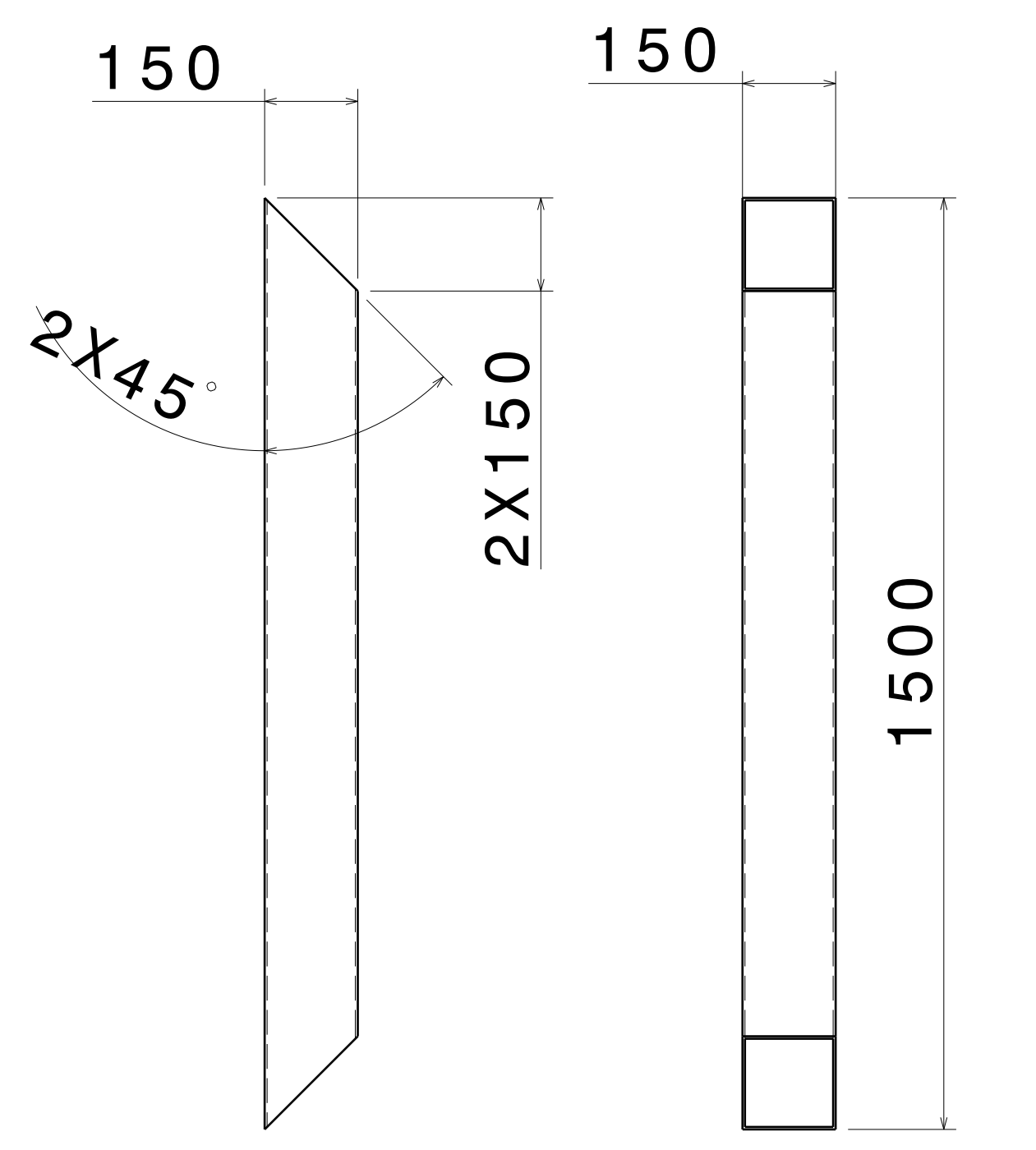
FRONT VIEW RIGHT VIEW
SCALE: 1:10 SCALE: 1:10

ITEM 11, SHS FRAME 5
THICKNESS - 4.0MM



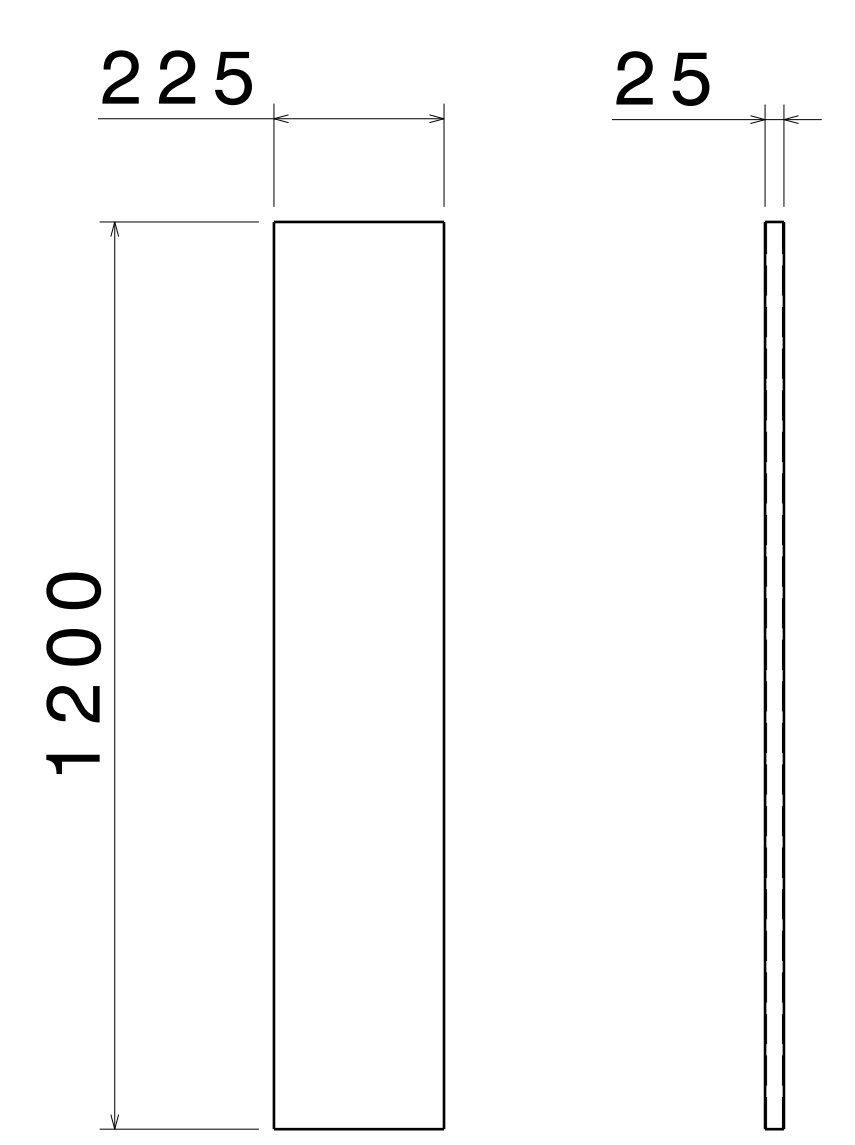
FRONT VIEW RIGHT VIEW
SCALE: 1:10 SCALE: 1:10

ITEM 12, SHS FRAME 6
THICKNESS - 4.0MM



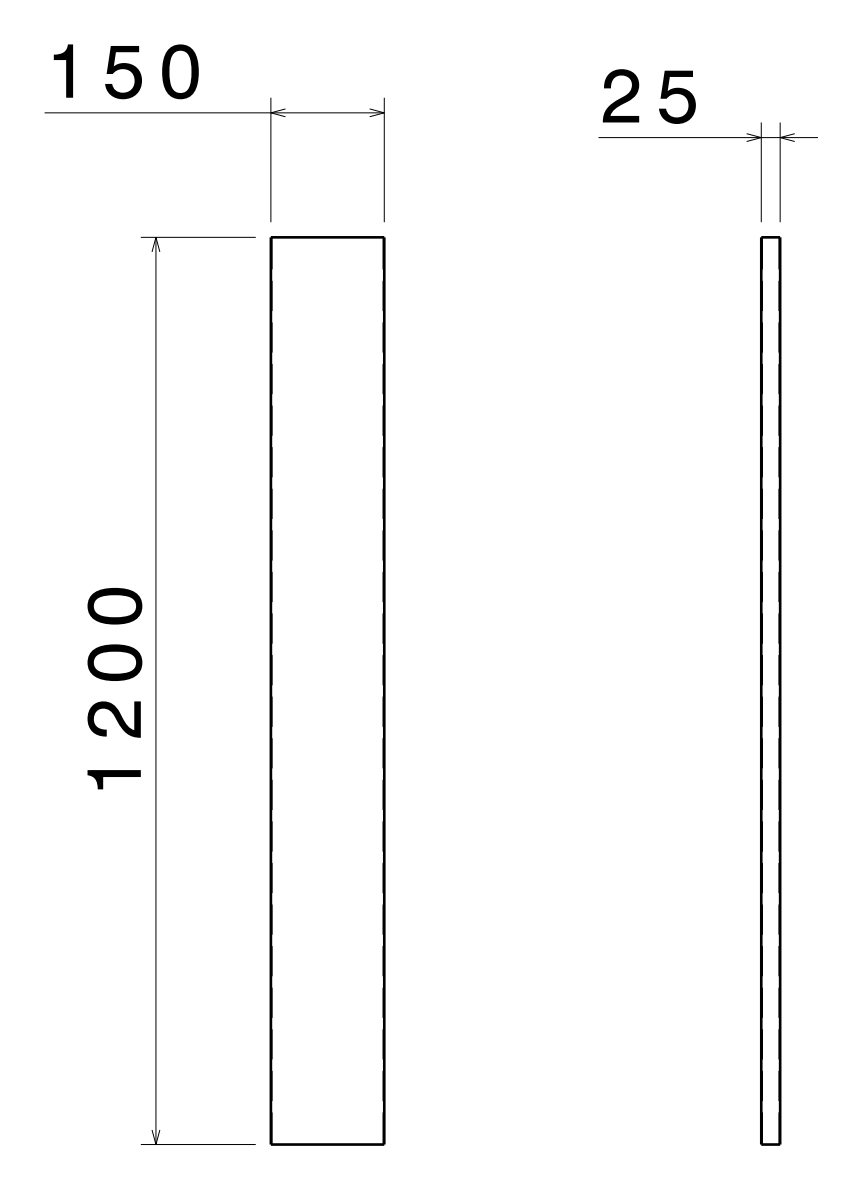
FRONT VIEW RIGHT VIEW
SCALE: 1:10 SCALE: 1:10

ITEM 13, SHS FRAME 7
THICKNESS - 4.0MM



FRONT VIEW RIGHT VIEW
SCALE: 1:10 SCALE: 1:10

ITEM 14, RHS PLANK 6
THICKNESS - 2.0MM



FRONT VIEW RIGHT VIEW
SCALE: 1:10 SCALE: 1:10

ITEM 15, RHS PLANK 7
THICKNESS - 1.6MM

UNLESS OTHERWISE SPECIFIED DIMENSION ARE IN MM VIEWS: THIRD ANGLE PROJECTION

This drawing is our property. It can't be reproduced or communicated without our written agreement.

DRAWN BY	DATE
SB	22NOV2020
CHECKED BY	DATE
P2P Analysis & Solutions	22NOV2020
DESIGNED BY	DATE
P2P Analysis & Solutions	22NOV2020

APL APOLLO TUBES LTD.	
DRAWING TITLE	
NOV 20 03	
SIZE	DRAWING NUMBER
A0	P2P NOV 20 03
SCALE	WEIGHT (kg)
NONE	XXX
REV	SHEET 3 OF 3
00	