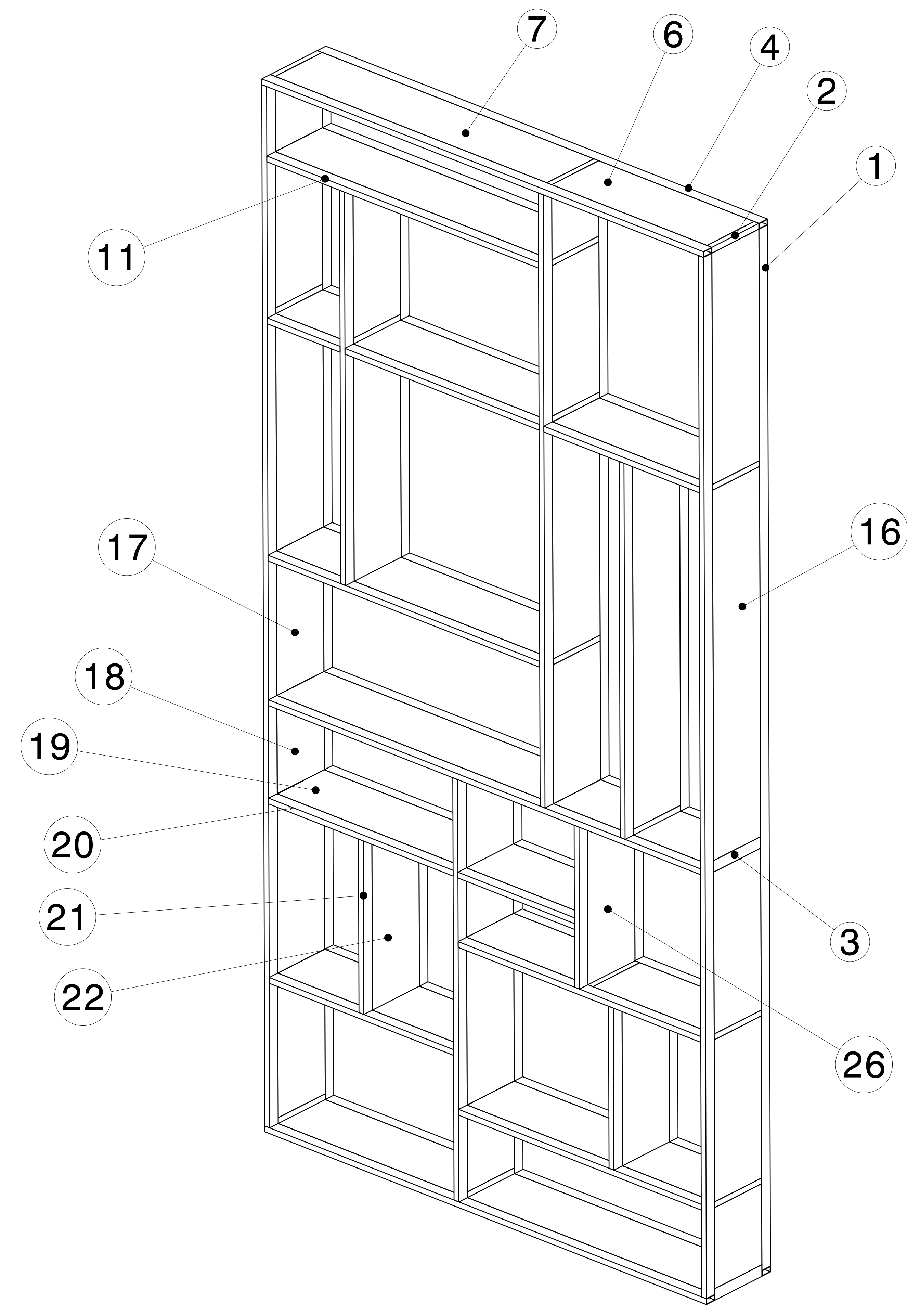


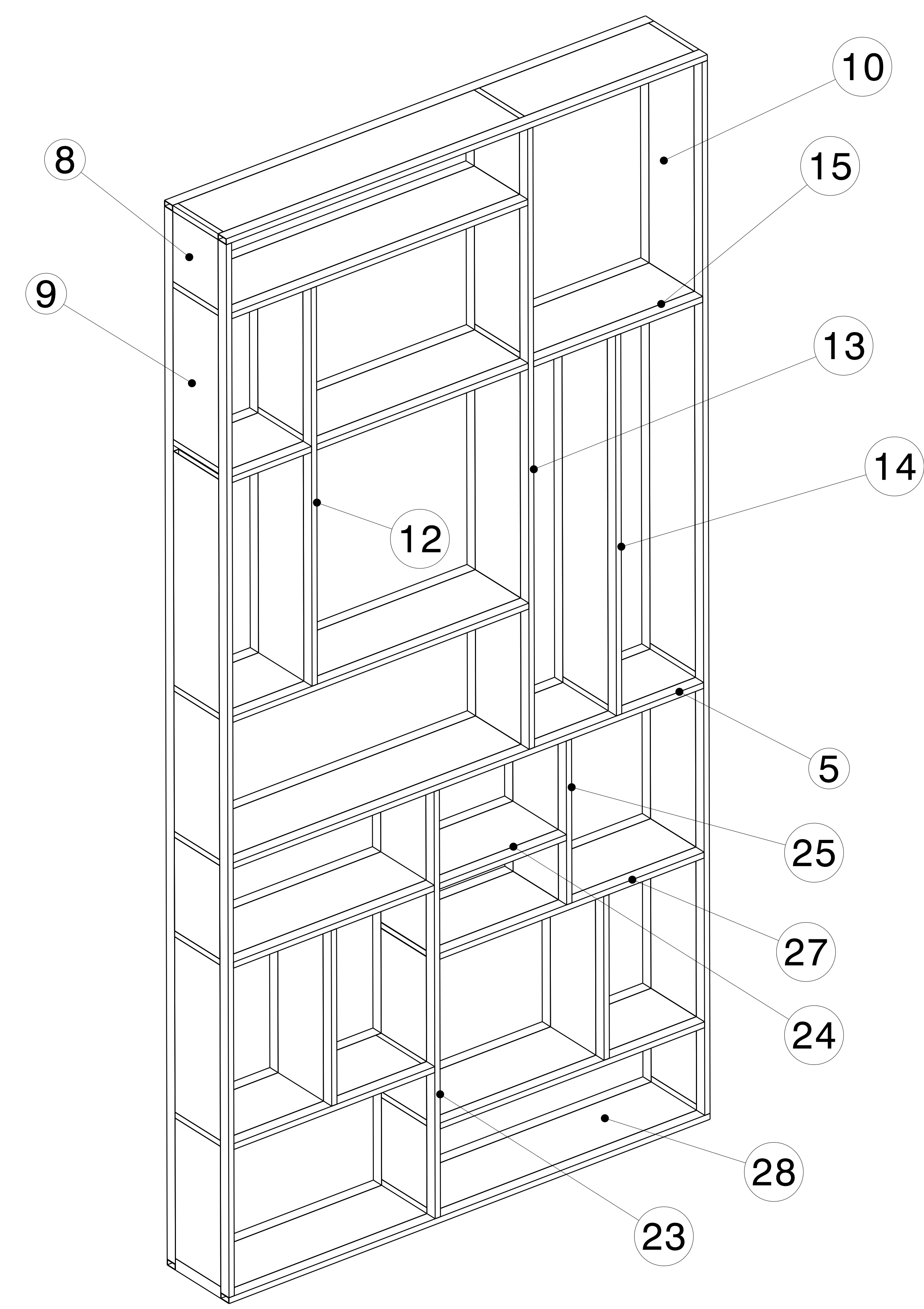
REV	DATE	DESCRIPTION
00	25NOV2020	INITIAL REVISION

NOTES:

- (⊥) ALL VERTICAL SUPPORTS ARE PERPENDICULAR.
- FLATNESS OF .5MM IS APPLIED BY DEFAULT.
- ⊲ WELD BEAD OF 2MM RADIUS IS FOLLOWED.
- ▽ SURFACE FINISH MEDIUM TO SMOOTH IS USED.
- ALL TUBES ARE AS PER APL APOLLO STANDARD. CHANGES MAY EFFECT THE LOAD CAPACITY.
- ALL HORIZONTAL AND VERTICAL TUBES ARE PERPENDICULAR TO EACH OTHER WITH ±1 DEG.
- FINE WELDING IS REQUIRED AS PER MENTIONED DETAILS AND FINISHING.
- HIGHER CURRENT WELDING MAY AFFECT THE BRITTLINESS OF MATERIAL WHICH LATER MAY RAISE TO WEAKENING OF STRUCTURE.
- FABRICATORS ARE ALLOWED TO USE FITTINGS/FRAMES/SUPPORTS AS NEEDED AND THE SAME MUST BE COMMUNICATED BACK TO ENGINEERING TEAM.
- BOP COMPONENT WEIGHTS ARE FOR REFERENCE ONLY AND SUBJECTED TO CHANGE PER PURCHASED COMPONENTS.




ISOMETRIC VIEW
SCALE: 1:10

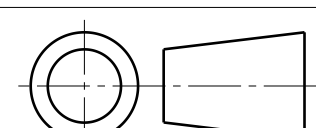


ISOMETRIC VIEW
SCALE: 1:10

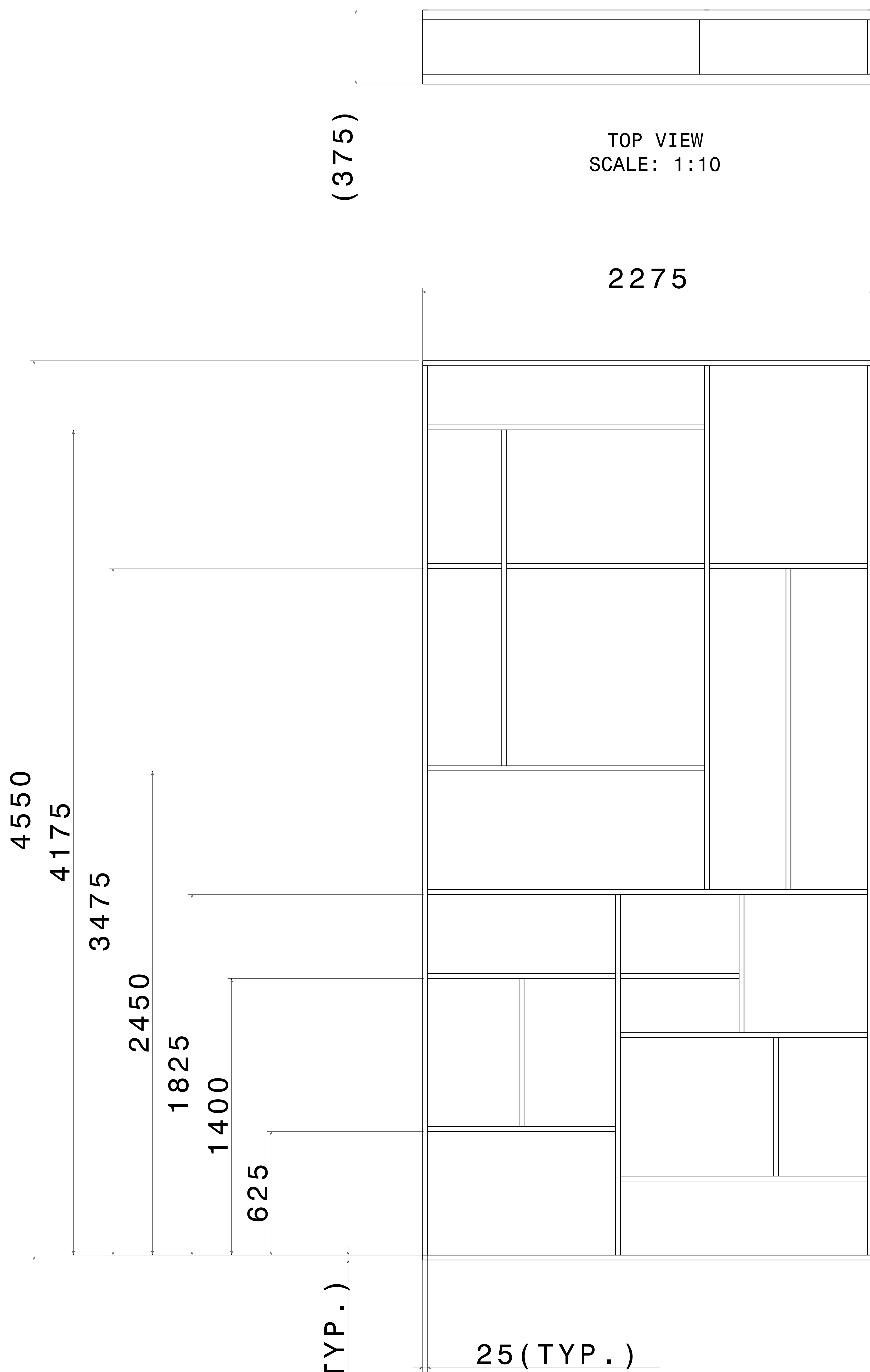
ITEM NO.	PART NUMBER	DESCRIPTION	QTY.	Wt (Kg)/Each
29	RHS PLANK 13	275 X 25 X 1.6 X 350	2	2.61
28	RHS PLANK 12	275 X 25 X 1.6 X 1250	2	9.33
27	RHS FRAME 15	50 X 25 X 2 X 1250	4	2.79
26	RHS PLANK 11	275 X 25 X 1.6 X 700	6	5.23
25	RHS FRAME 14	50 X 25 X 2 X 700	4	1.56
24	RHS FRAME 13	50 X 25 X 2 X 600	2	1.34
23	RHS FRAME 12	50 X 25 X 2 X 1825	2	4.07
22	RHS PLANK 10	275 X 25 X 1.6 X 750	2	5.6
21	RHS FRAME 11	50 X 25 X 2 X 750	2	0.21
20	RHS FRAME 10	50 X 25 X 2 X 950	4	2.12
19	RHS PLANK 9	275 X 25 X 1.6 X 950	3	7.09
18	RHS PLANK 8	275 X 25 X 1.6 X 400	1	2.99
17	RHS PLANK 7	275 X 25 X 1.6 X 600	6	4.48
16	RHS PLANK 6	275 X 25 X 1.6 X 1600	2	11.94
15	RHS FRAME 9	50 X 25 X 2 X 800	2	1.79
14	RHS FRAME 8	50 X 25 X 2 X 1625	2	3.63
13	RHS FRAME 7	50 X 25 X 2 X 2650	2	5.92
12	RHS FRAME 6	50 X 25 X 2 X 1700	2	3.79
11	RHS FRAME 5	50 X 25 X 2 X 1400	4	3.13
10	RHS PLANK 5	275 X 25 X 1.6 X 1000	4	7.47
9	RHS PLANK 4	275 X 25 X 1.6 X 650	3	4.85
8	RHS PLANK 3	275 X 25 X 1.6 X 300	2	2.24
7	RHS PLANK 2	275 X 25 X 1.6 X 1400	4	10.45
6	RHS PLANK 1	275 X 25 X 1.6 X 800	3	5.97
5	RHS FRAME 4	50 X 25 X 2 X 2225	2	4.97
4	RHS FRAME 3	50 X 25 X 2 X 2275	4	5.08
3	RHS FRAME 2	50 X 25 X 2 X 275	5	0.61
2	RHS FRAME 1	25 X 25 X 2 X 275	20	0.4
1	RHS FRAME 1	50 X 25 X 2 X 4500	4	10.05

This drawing is our property. It can't be reproduced or communicated without our written agreement.		APL APOLLO TUBES LTD. 	
DRAWN BY VM		DATE 25NOV2020	
CHECKED BY P2P Analysis & Solutions		DATE 25NOV2020	
DESIGNED BY P2P Analysis & Solutions		DATE 25NOV2020	
DRAWING TITLE NOV 20_08-BOOK SHELF		SIZE A0	DRAWING NUMBER P2P_NOV 20_08-BOOK SHELF
SCALE As Indicated		WEIGHT (kg) 0kg	REV 00

UNLESS OTHERWISE SPECIFIED DIMENSION ARE IN MM
VIEWS: THIRD ANGLE PROJECTION



REV	DATE	DESCRIPTION
00	25NOV2020	INITIAL REVISION



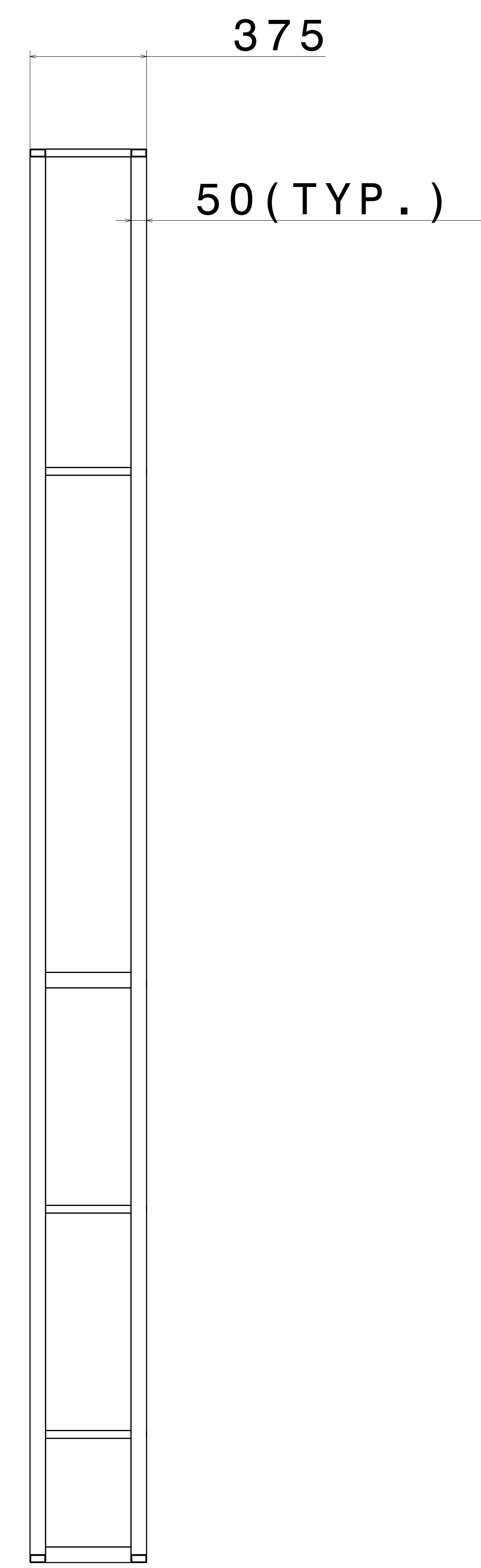
TOP VIEW
SCALE: 1:10

(375)

25(TYP.)

25(TYP.)

FRONT VIEW
SCALE: 1:10



RIGHT VIEW
SCALE: 1:10

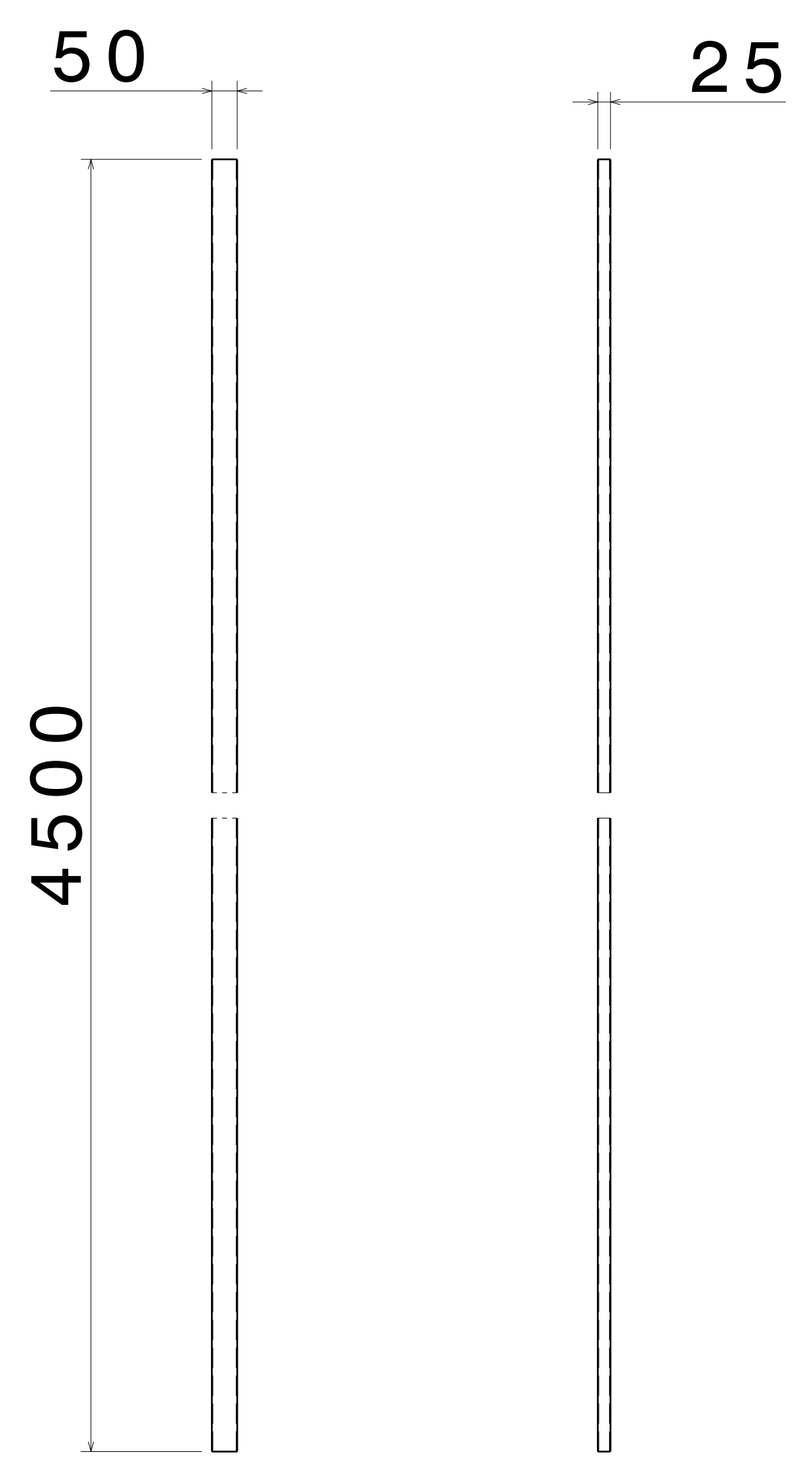
375

50(TYP.)

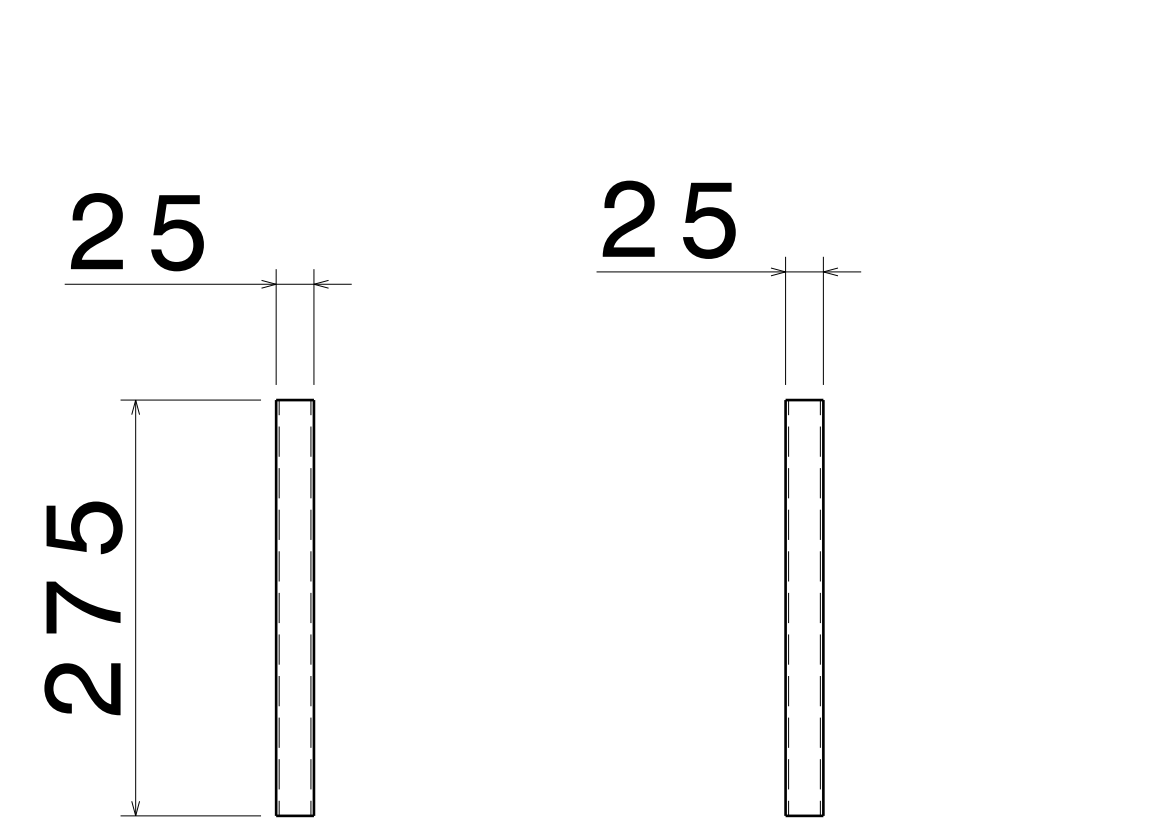
UNLESS OTHERWISE SPECIFIED DIMENSION ARE IN MM
VIEWS: THIRD ANGLE PROJECTION

This drawing is our property. It can't be reproduced or communicated without our written agreement.		APL APOLLO TUBES LTD.	
DRAWN BY SB		DATE 25NOV2020	
CHECKED BY P2P Analysis & Solutions		DATE 25NOV2020	
DESIGNED BY P2P Analysis & Solutions		DATE 25NOV2020	
DRAWING TITLE NOV 20 08-BOOK SHELF		SIZE A0	DRAWING NUMBER P2P NOV 20 08-BOOK SHELF
SCALE NONE		WEIGHT (kg) XXX	REV 00
		SHEET 2 OF 3	

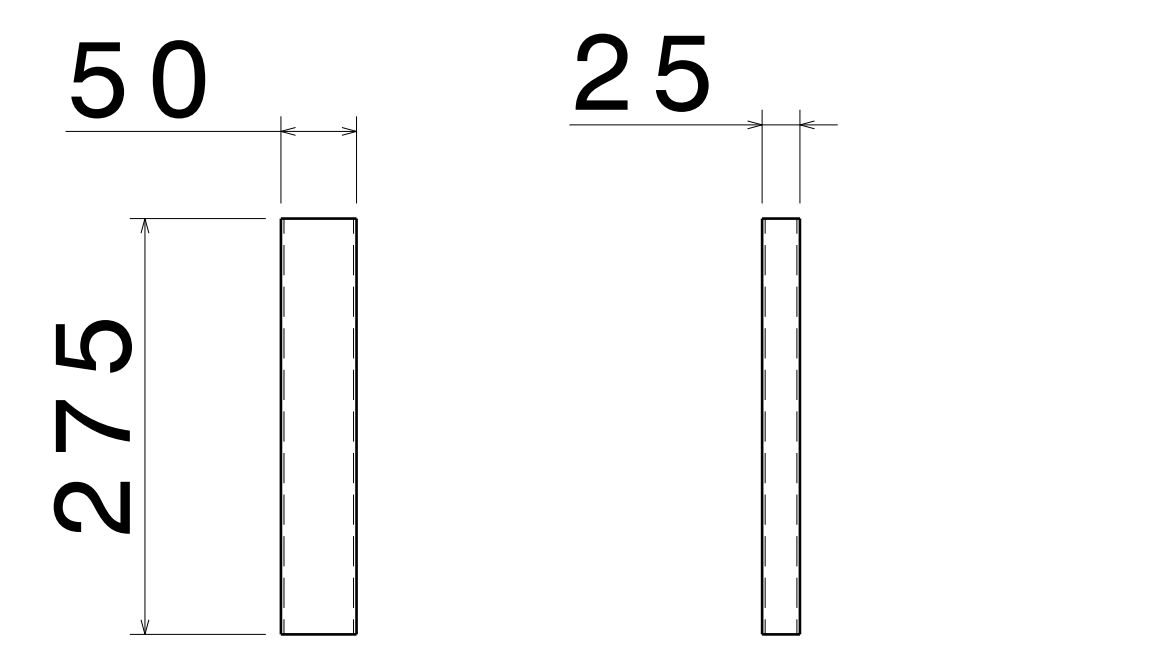
REV	DATE	DESCRIPTION
00	25NOV2020	INITIAL REVISION



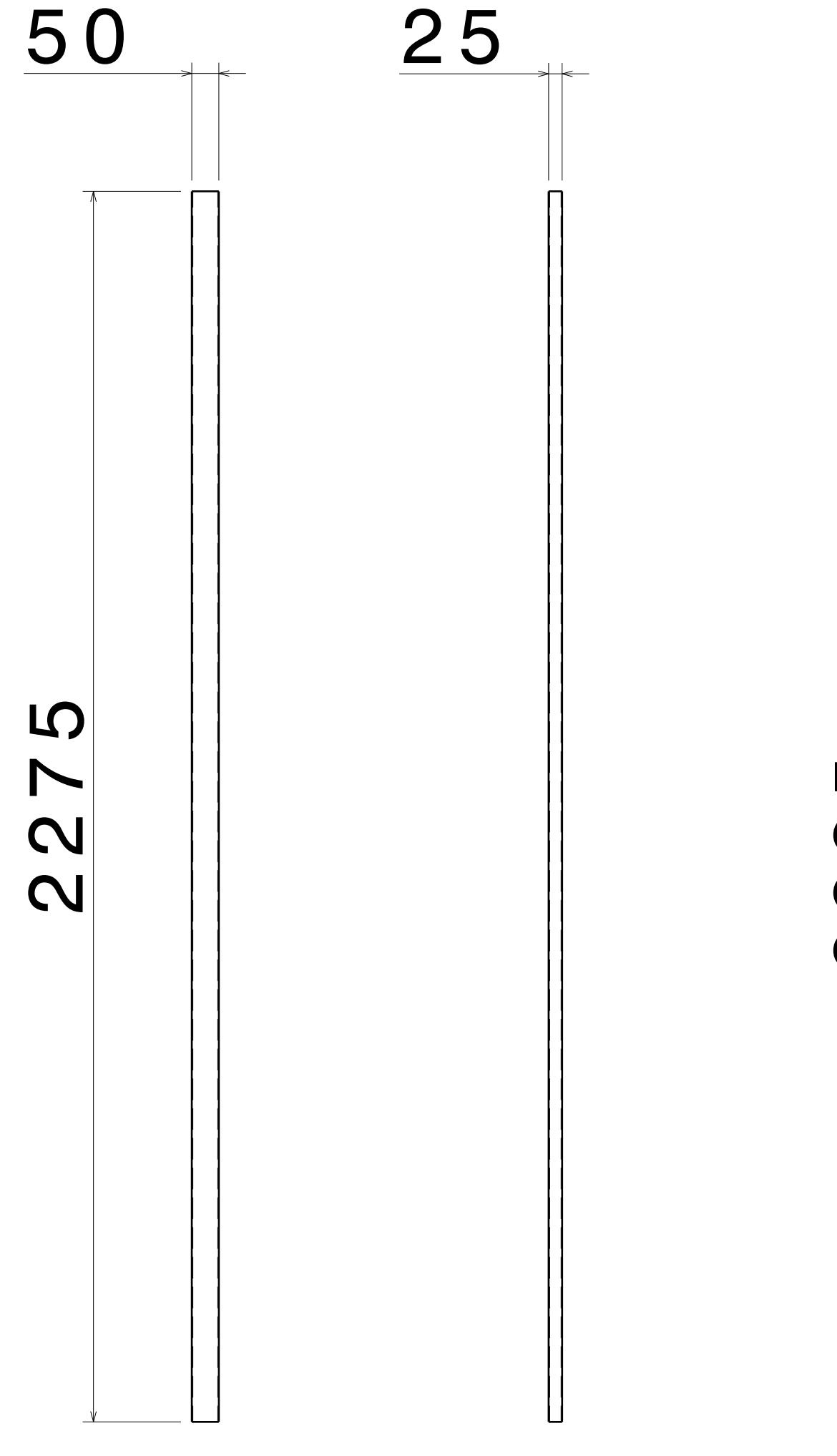
FRONT VIEW RIGHT VIEW
SCALE: 1:10 SCALE: 1:10
ITEM 1, RHS FRAME 1
THICKNESS - 2MM



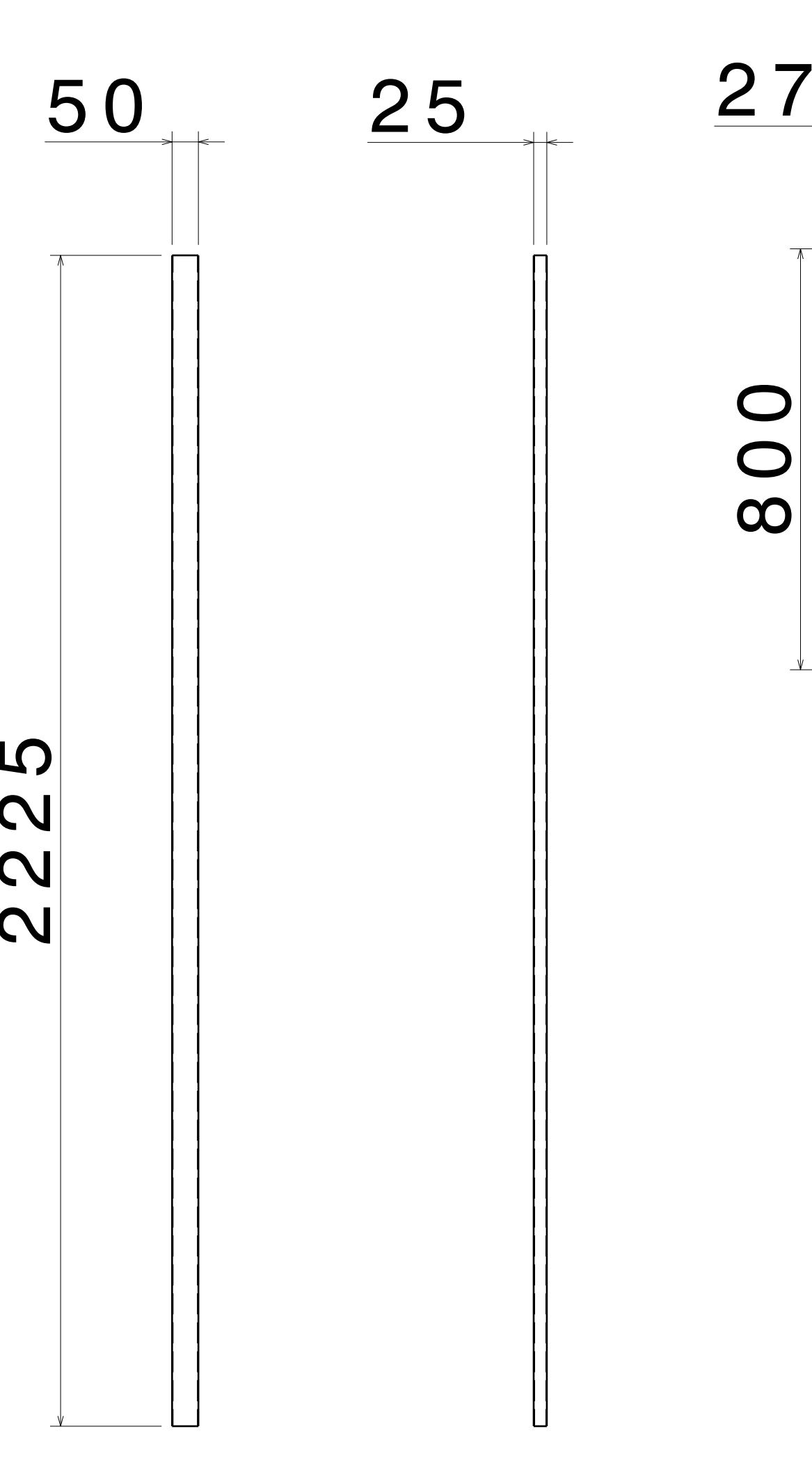
FRONT VIEW RIGHT VIEW
SCALE: 1:5 SCALE: 1:5
ITEM 2, SHS FRAME 1
THICKNESS - 2MM



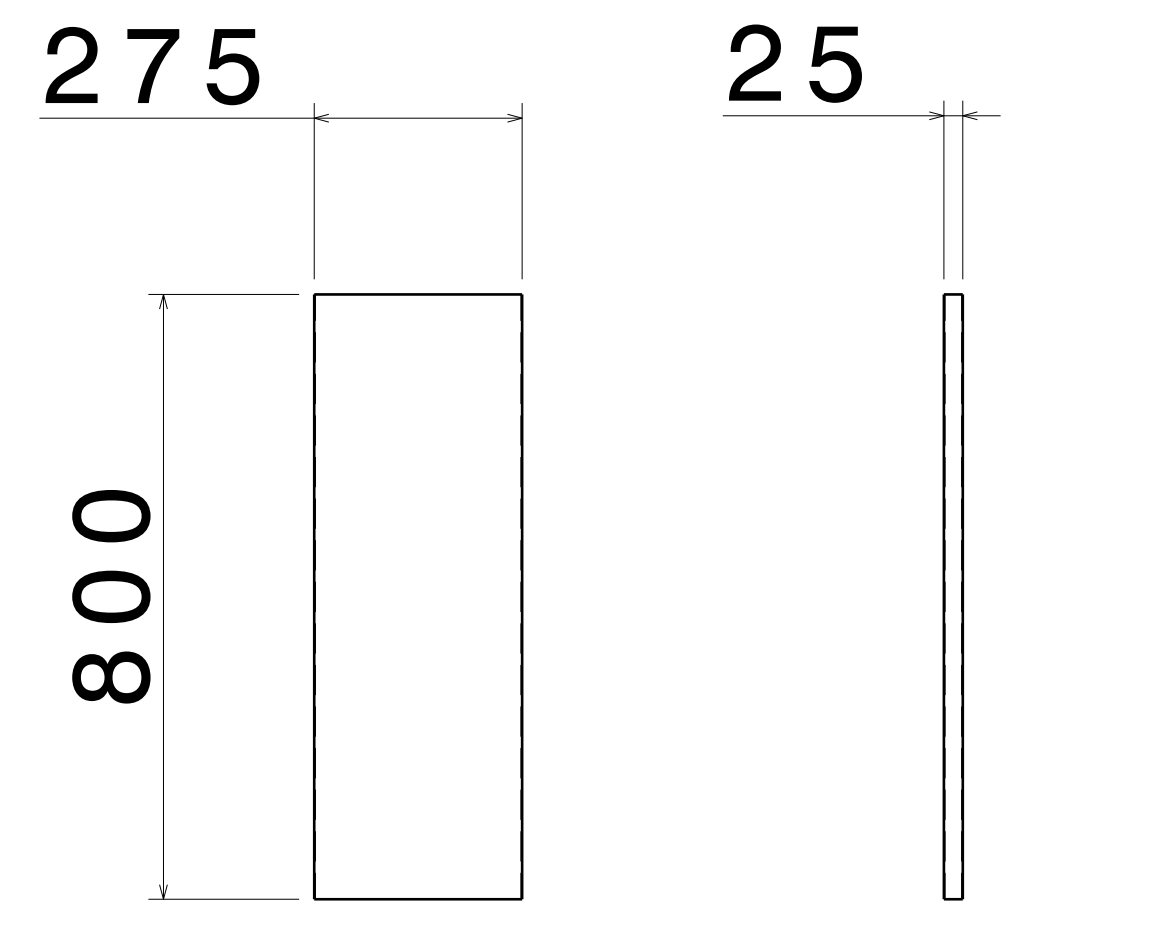
FRONT VIEW RIGHT VIEW
SCALE: 1:5 SCALE: 1:5
ITEM 3, RHS FRAME 2
THICKNESS - 2MM



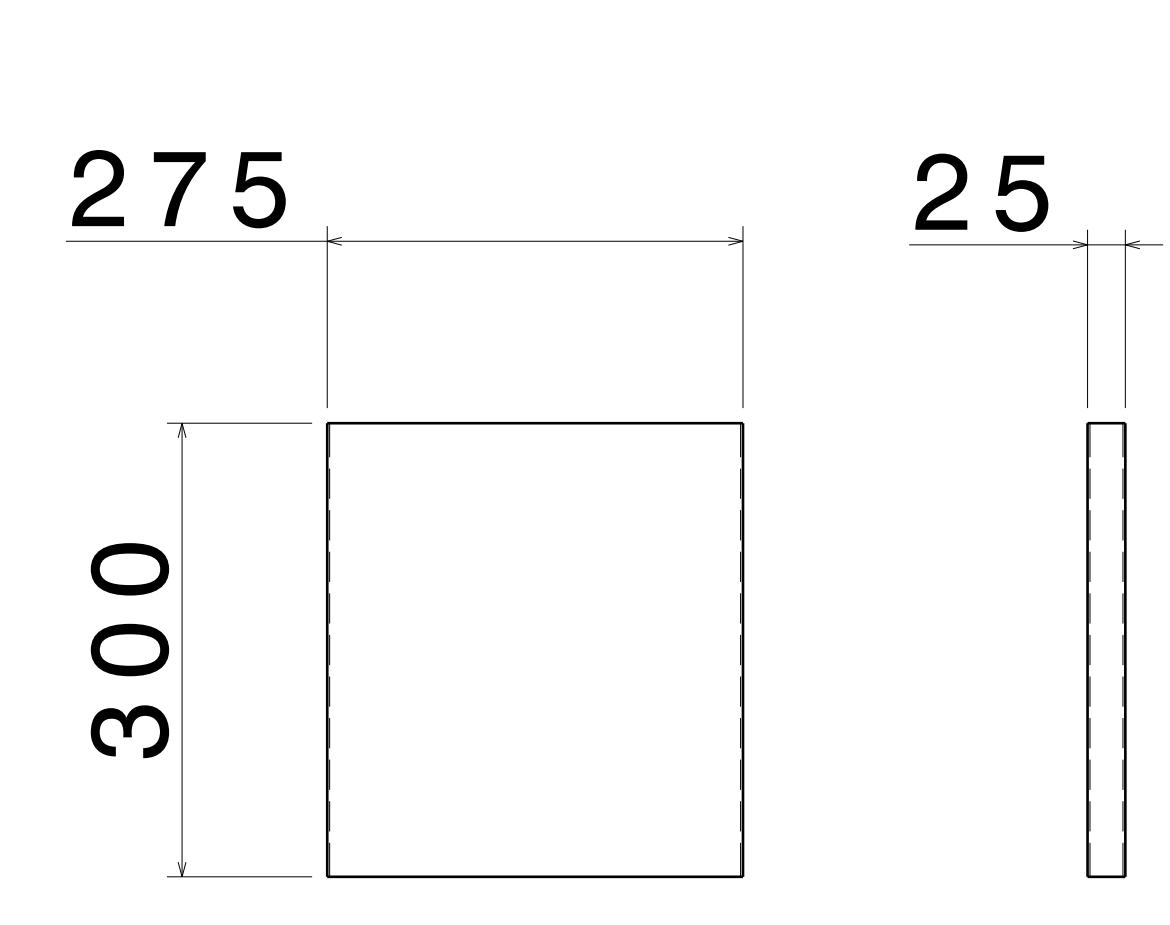
FRONT VIEW RIGHT VIEW
SCALE: 1:10 SCALE: 1:10
ITEM 4, RHS FRAME 3
THICKNESS - 2MM



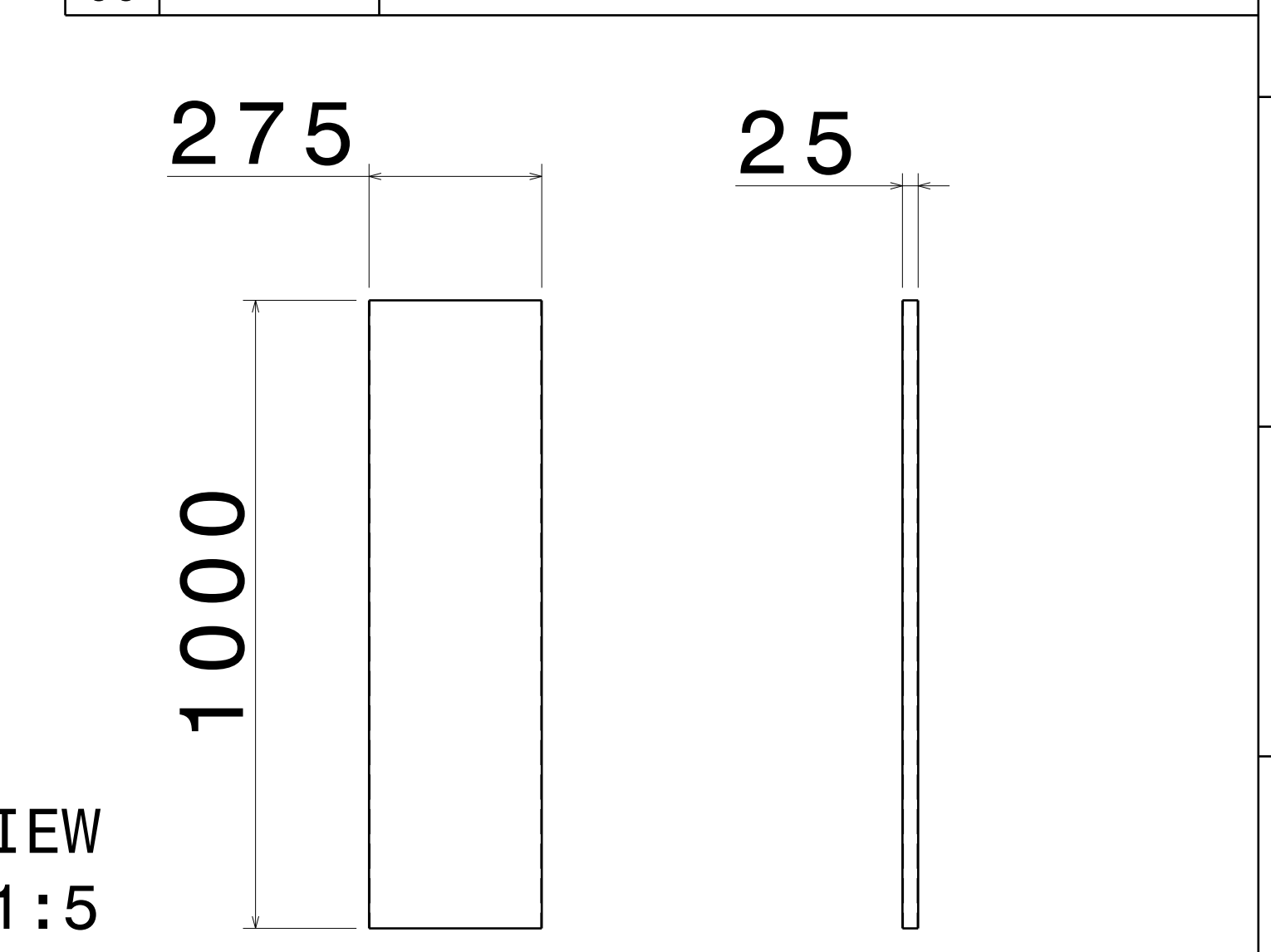
FRONT VIEW RIGHT VIEW
SCALE: 1:10 SCALE: 1:10
ITEM 5, RHS FRAME 4
THICKNESS - 2MM



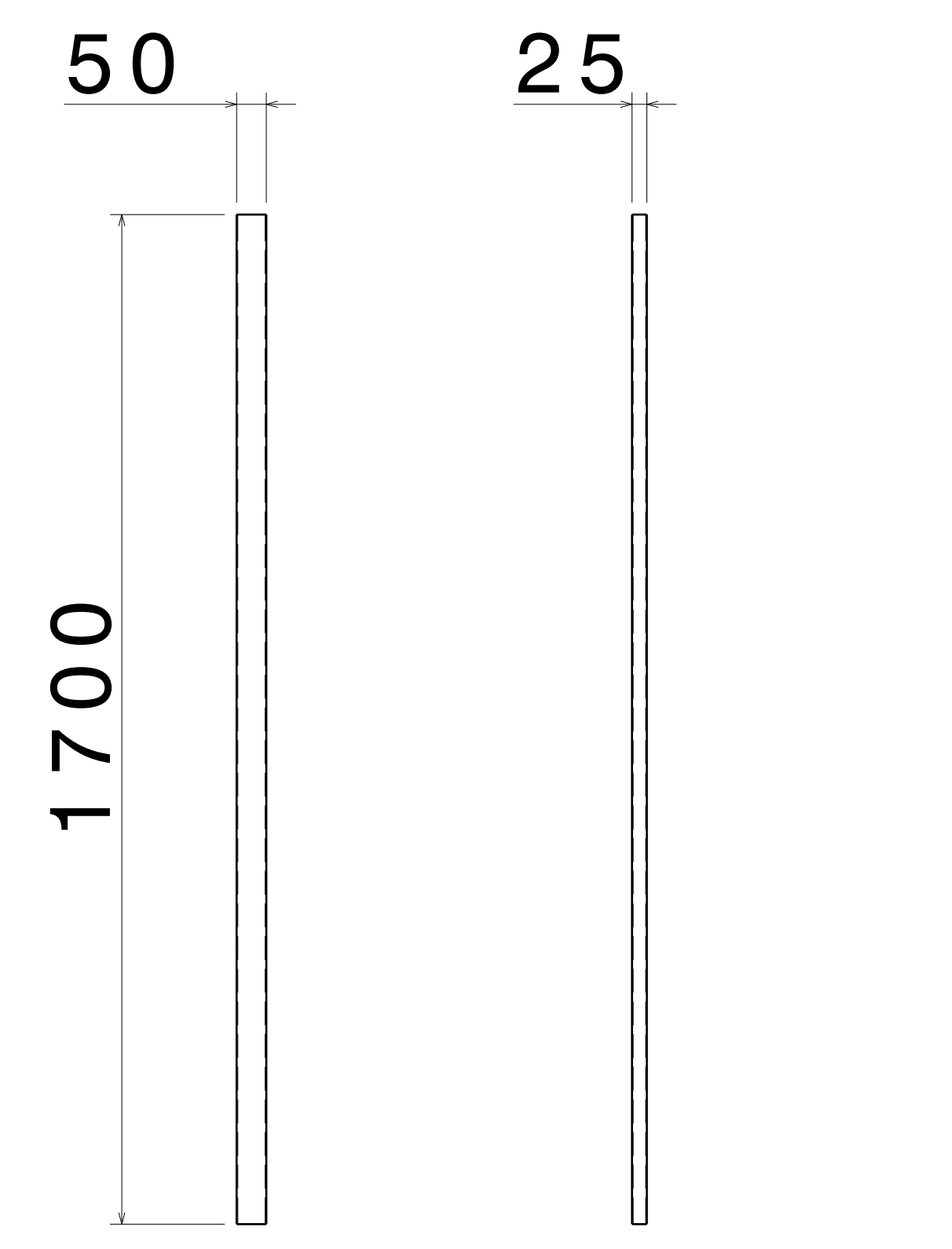
FRONT VIEW RIGHT VIEW
SCALE: 1:10 SCALE: 1:10
ITEM 6, RHS PLANK 1
THICKNESS - 1.6MM



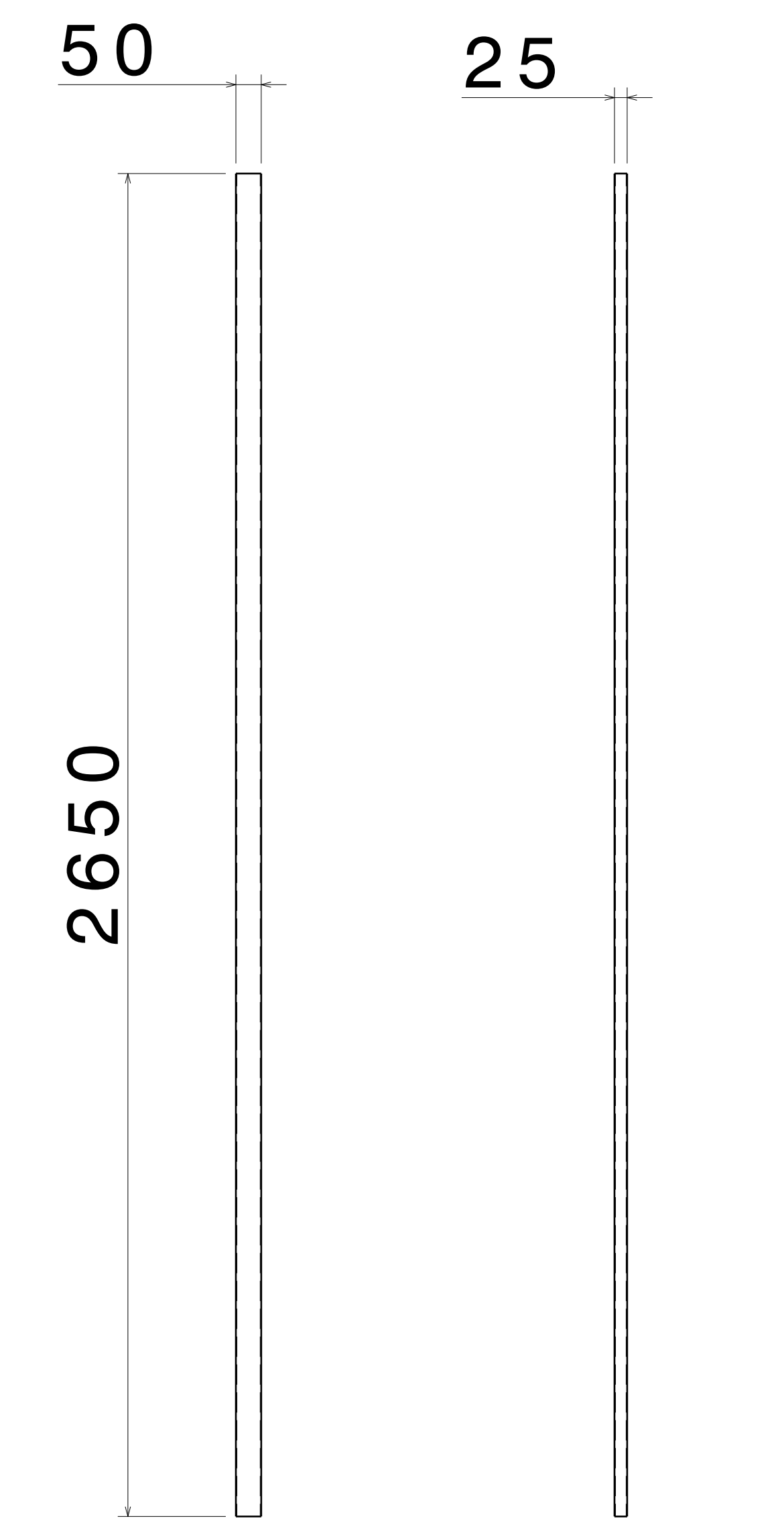
FRONT VIEW RIGHT VIEW
SCALE: 1:5 SCALE: 1:5
ITEM 8, RHS PLANK 3
THICKNESS - 1.6MM



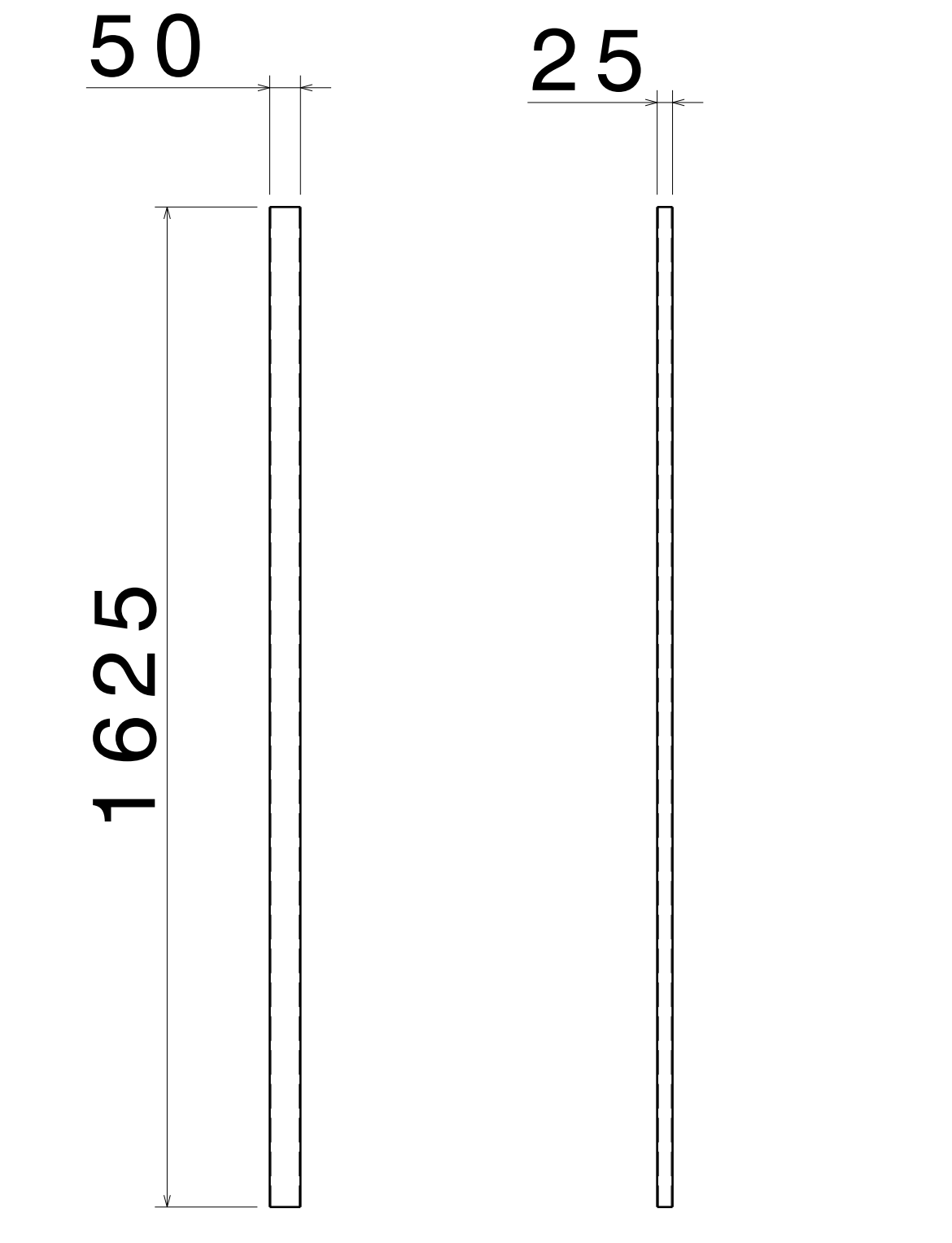
FRONT VIEW RIGHT VIEW
SCALE: 1:10 SCALE: 1:10
ITEM 10, RHS PLANK 5
THICKNESS - 1.6MM



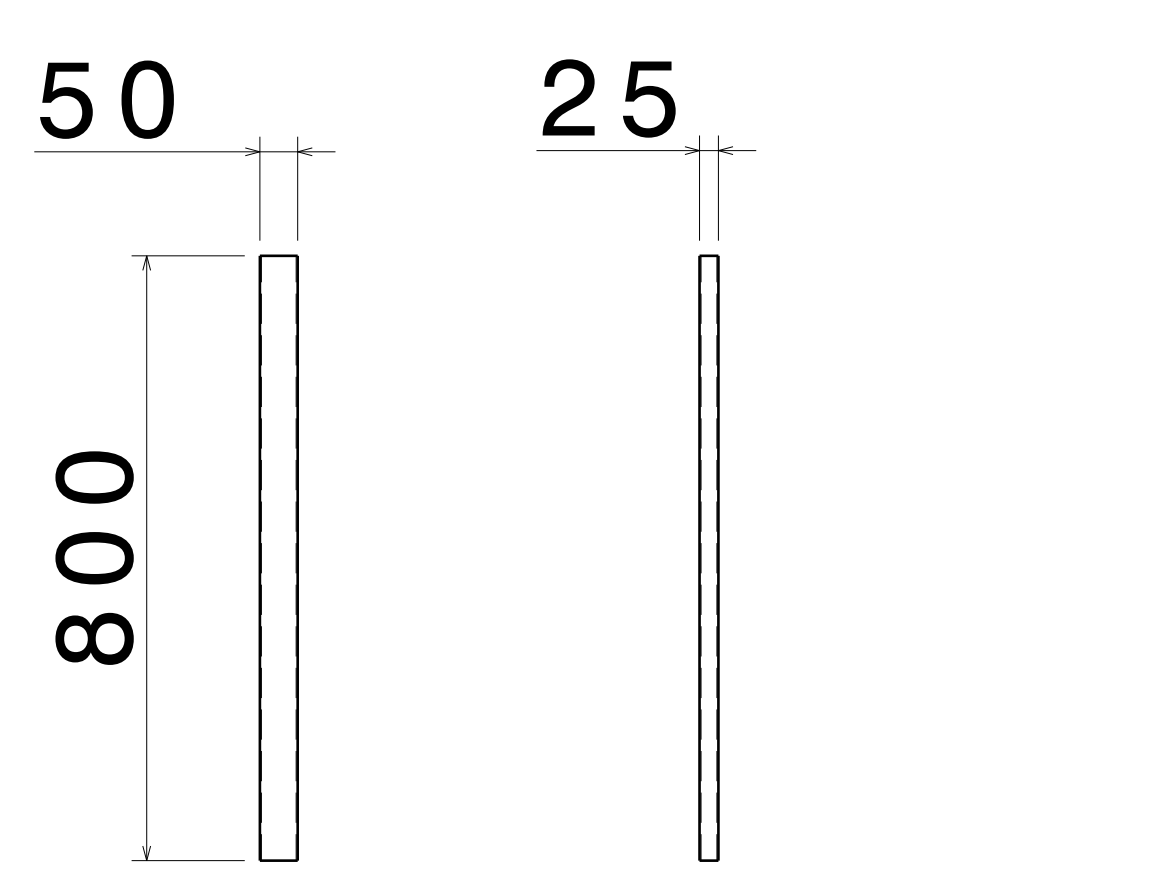
FRONT VIEW RIGHT VIEW
SCALE: 1:10 SCALE: 1:10
ITEM 12, RHS FRAME 6
THICKNESS - 2.0MM



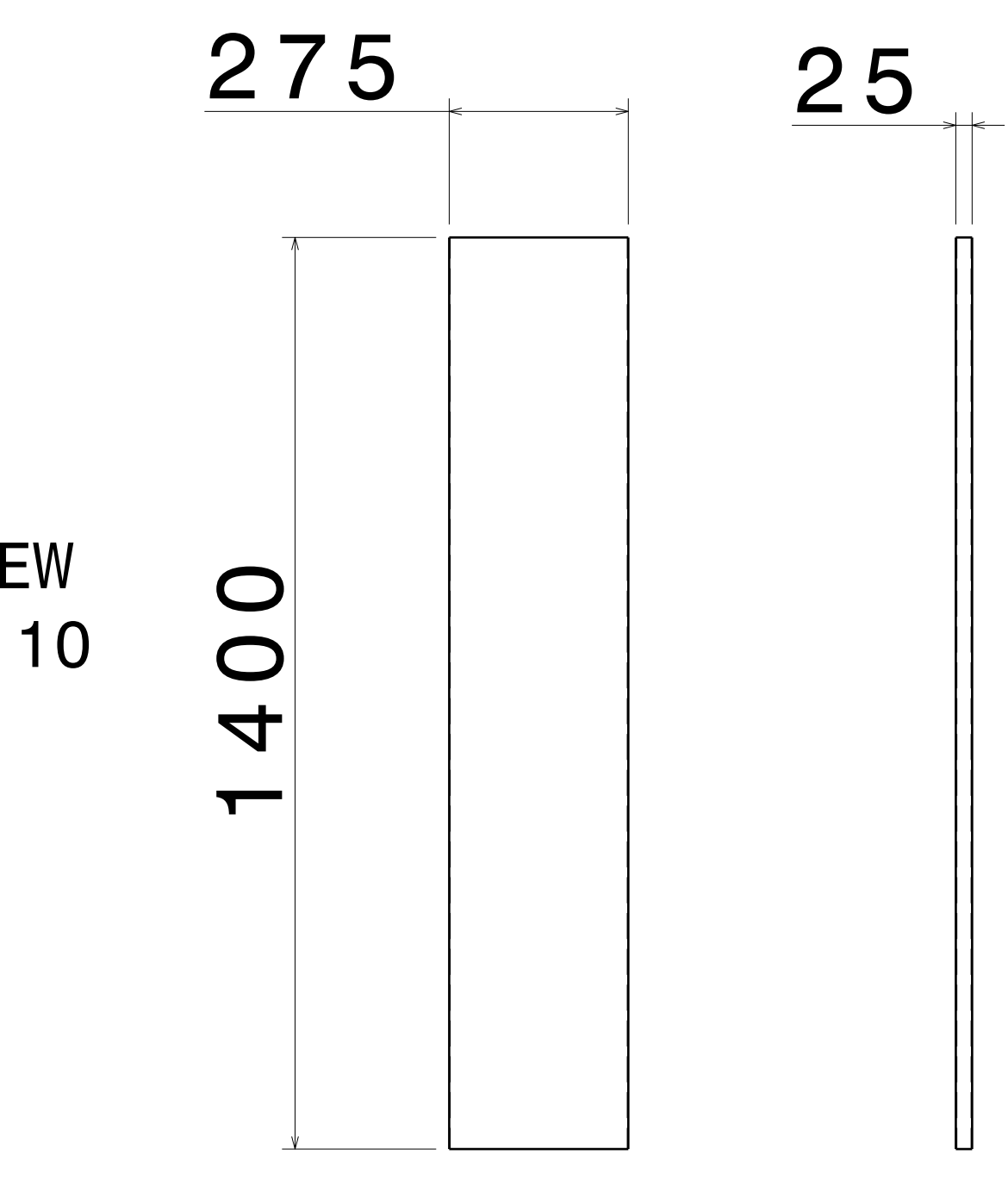
FRONT VIEW RIGHT VIEW
SCALE: 1:10 SCALE: 1:10
ITEM 13, RHS FRAME 7
THICKNESS - 2.0MM



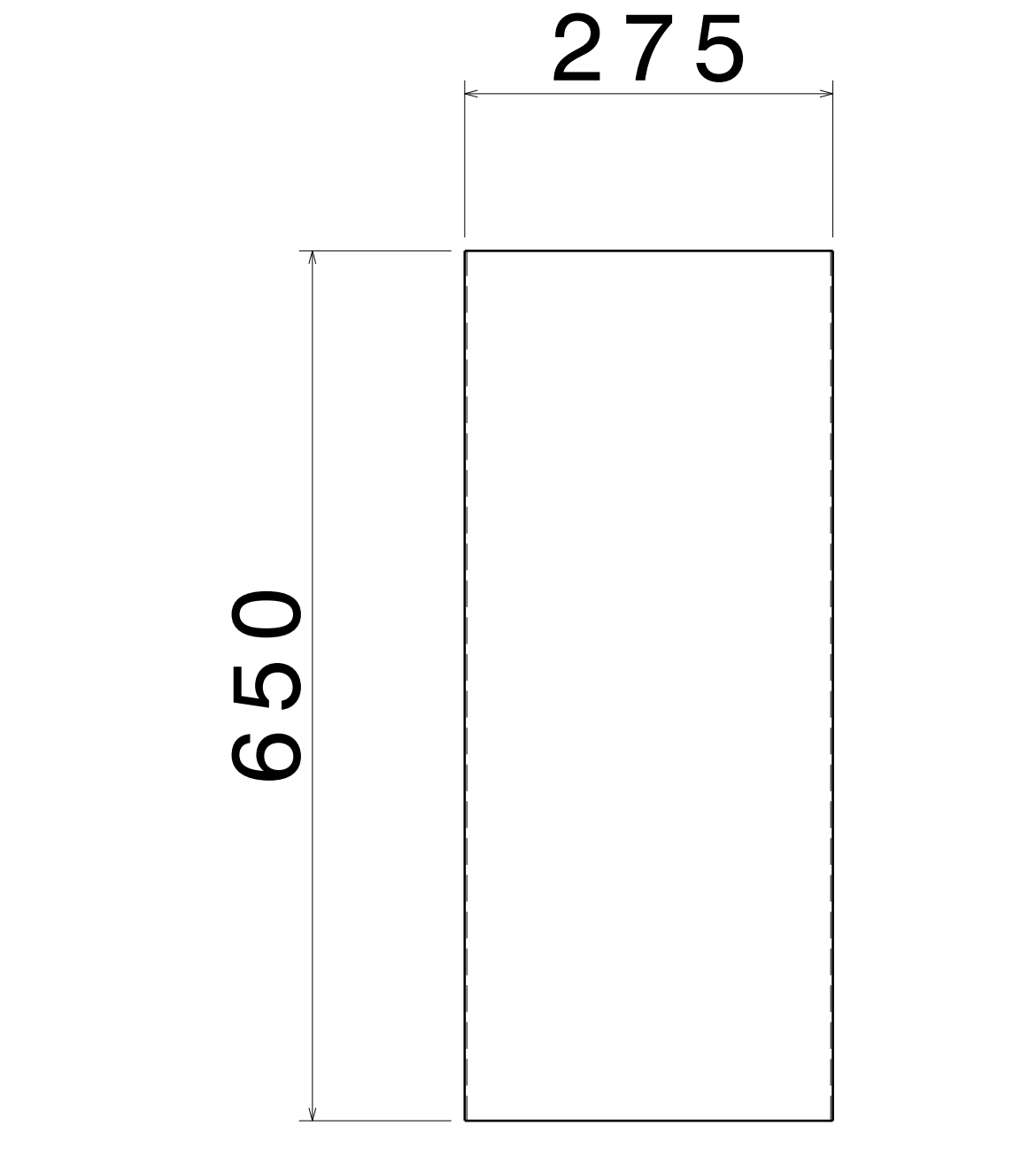
FRONT VIEW RIGHT VIEW
SCALE: 1:10 SCALE: 1:10
ITEM 14, RHS FRAME 8
THICKNESS - 2.0MM



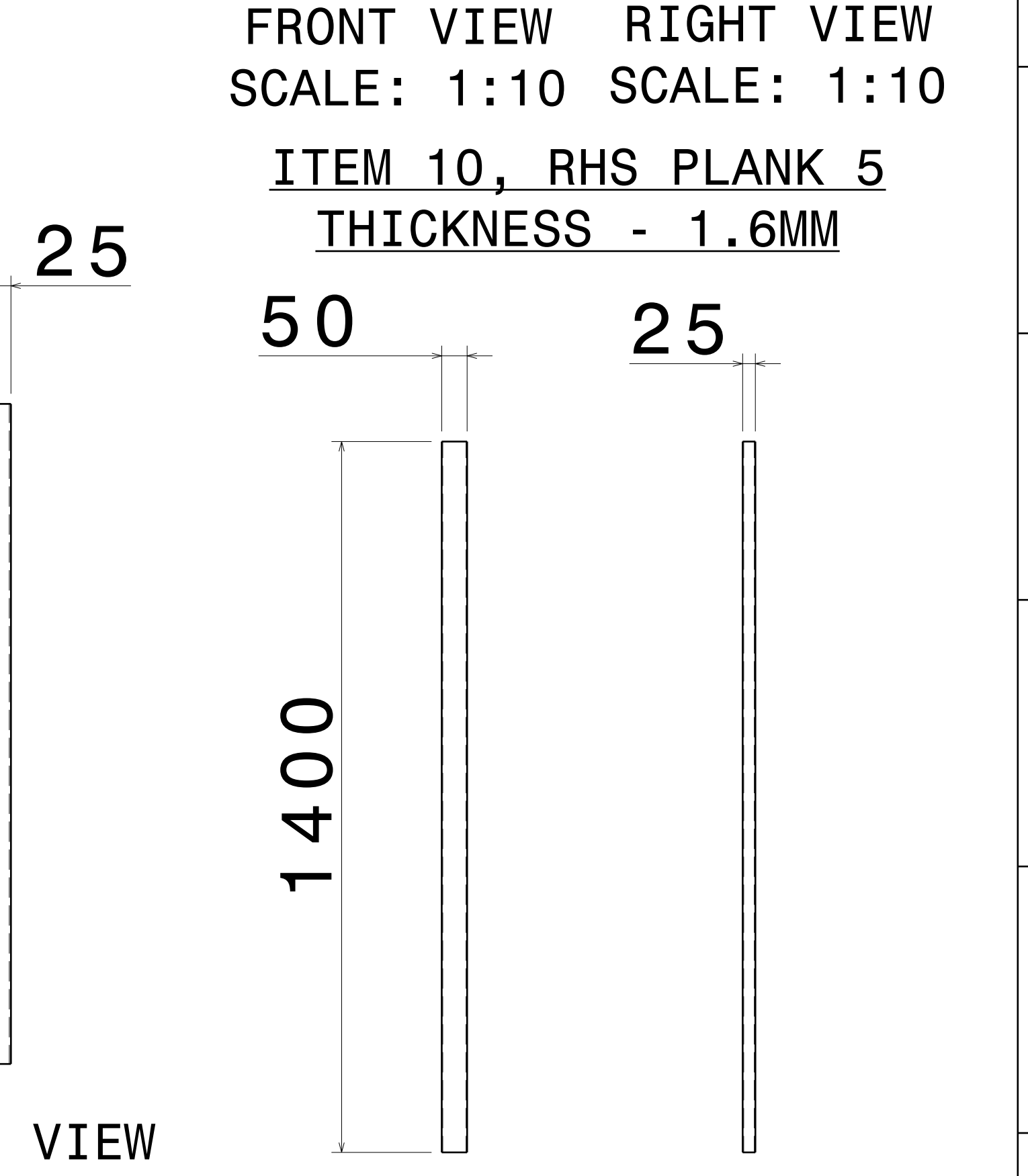
FRONT VIEW RIGHT VIEW
SCALE: 1:10 SCALE: 1:10
ITEM 15, RHS FRAME 9
THICKNESS - 2.0MM



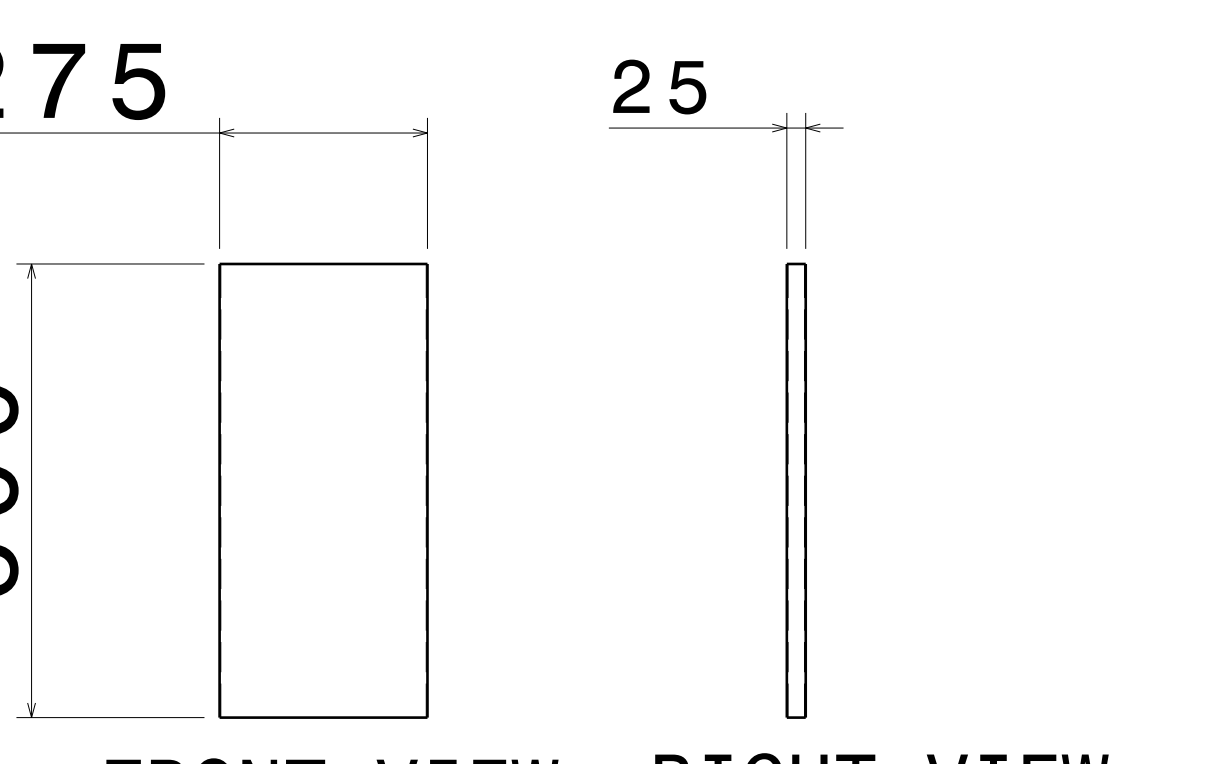
FRONT VIEW RIGHT VIEW
SCALE: 1:10 SCALE: 1:10
ITEM 7, RHS PLANK 2
THICKNESS - 1.6MM



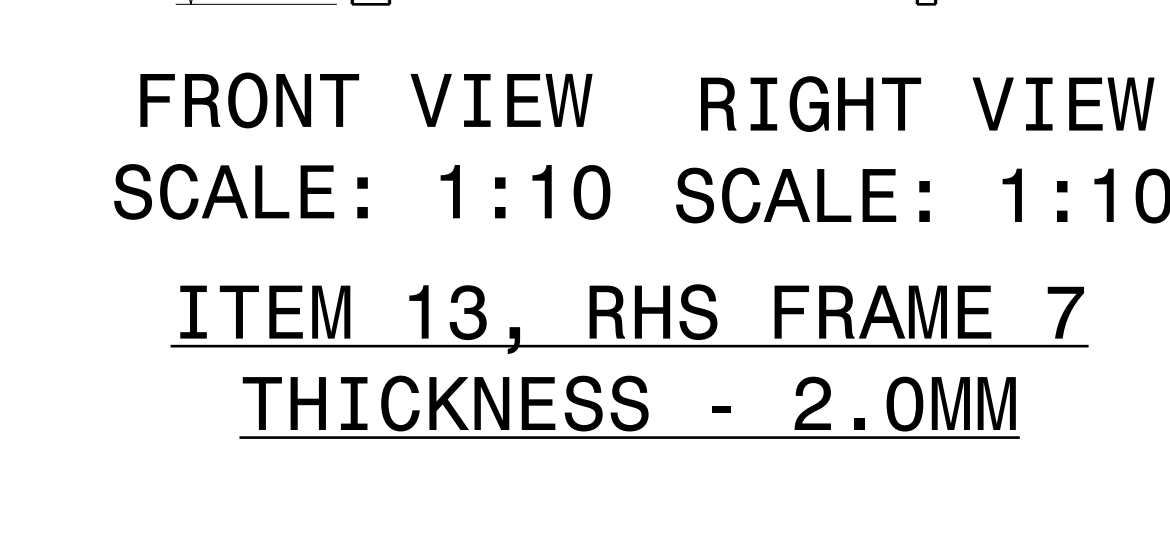
FRONT VIEW RIGHT VIEW
SCALE: 1:5 SCALE: 1:5
ITEM 9, RHS PLANK 4
THICKNESS - 1.6MM



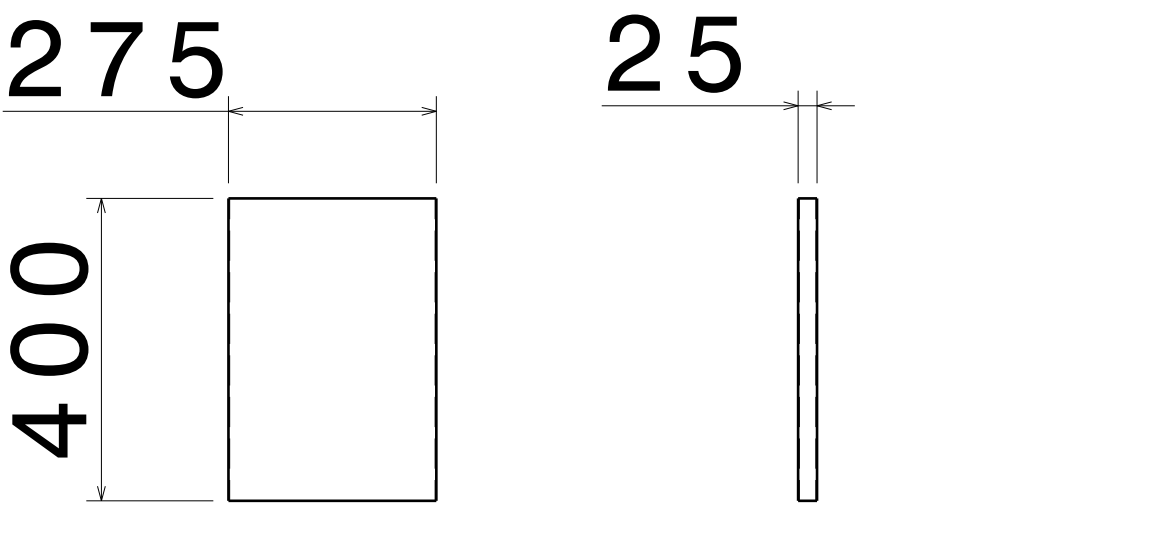
FRONT VIEW RIGHT VIEW
SCALE: 1:10 SCALE: 1:10
ITEM 11, RHS FRAME 6
THICKNESS - 2.0MM



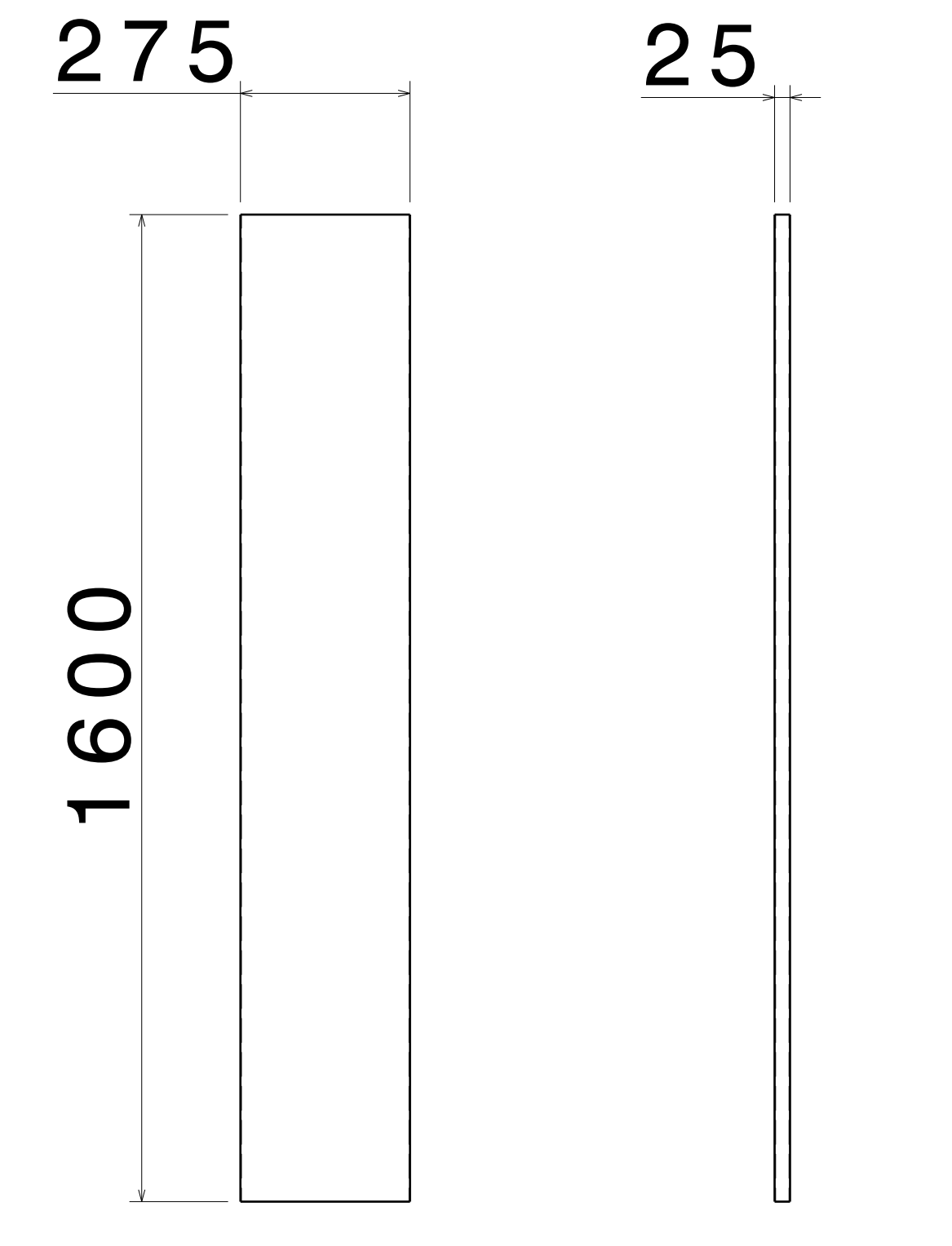
FRONT VIEW RIGHT VIEW
SCALE: 1:10 SCALE: 1:10
ITEM 17, RHS PLANK 7
THICKNESS - 1.6MM



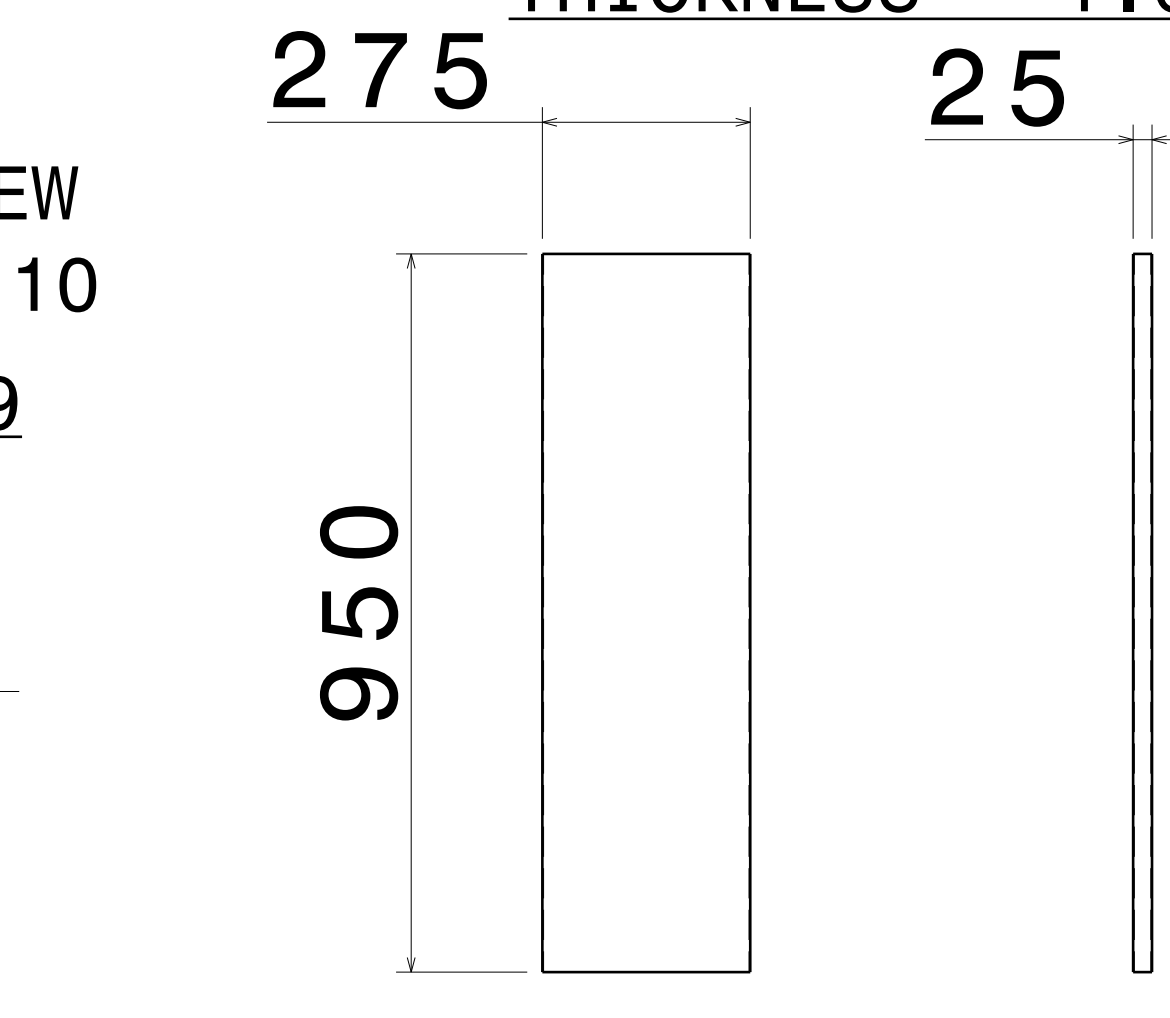
FRONT VIEW RIGHT VIEW
SCALE: 1:10 SCALE: 1:10
ITEM 18, RHS PLANK 8
THICKNESS - 1.6MM



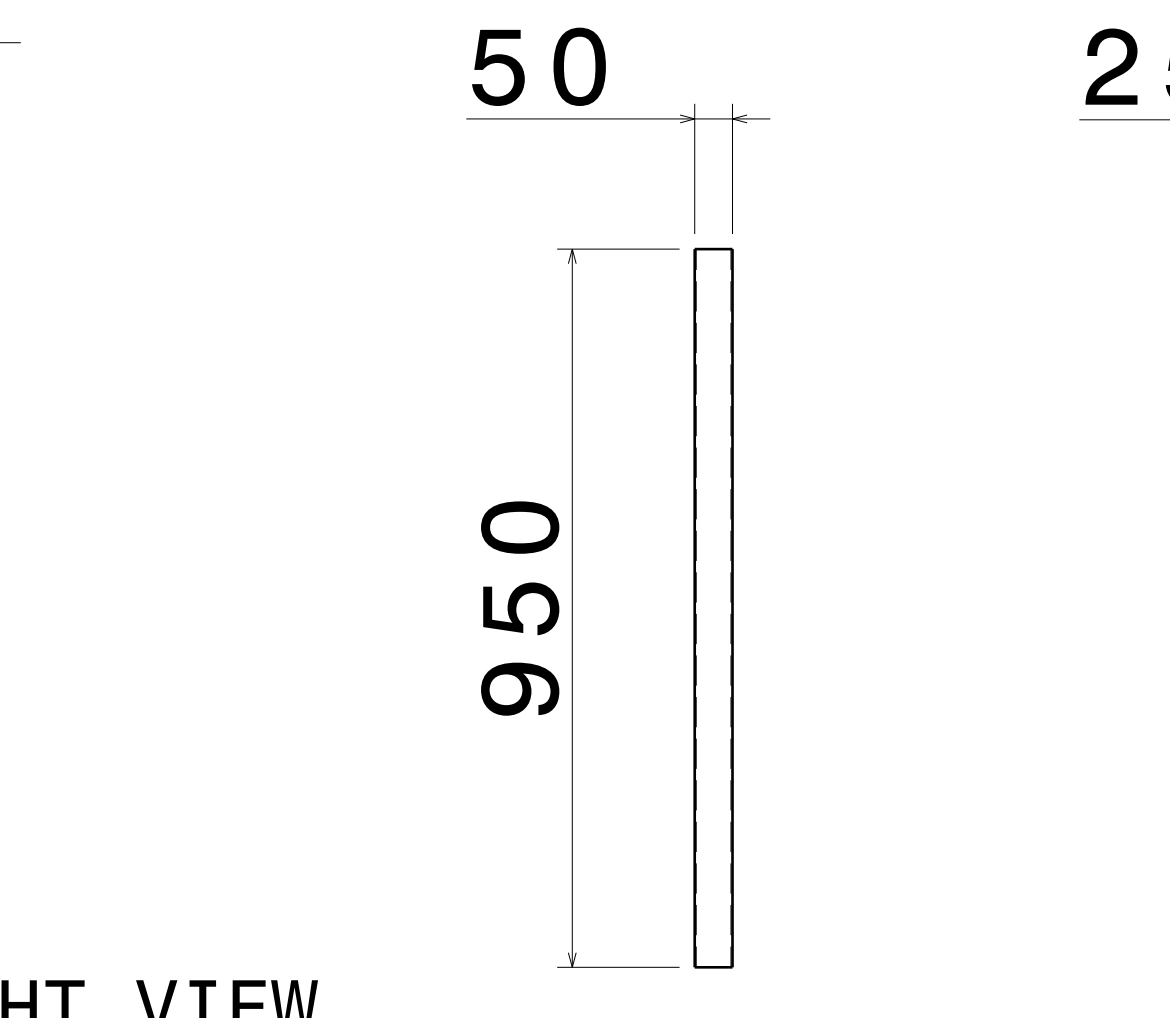
FRONT VIEW RIGHT VIEW
SCALE: 1:10 SCALE: 1:10
ITEM 16, RHS PLANK 6
THICKNESS - 1.6MM



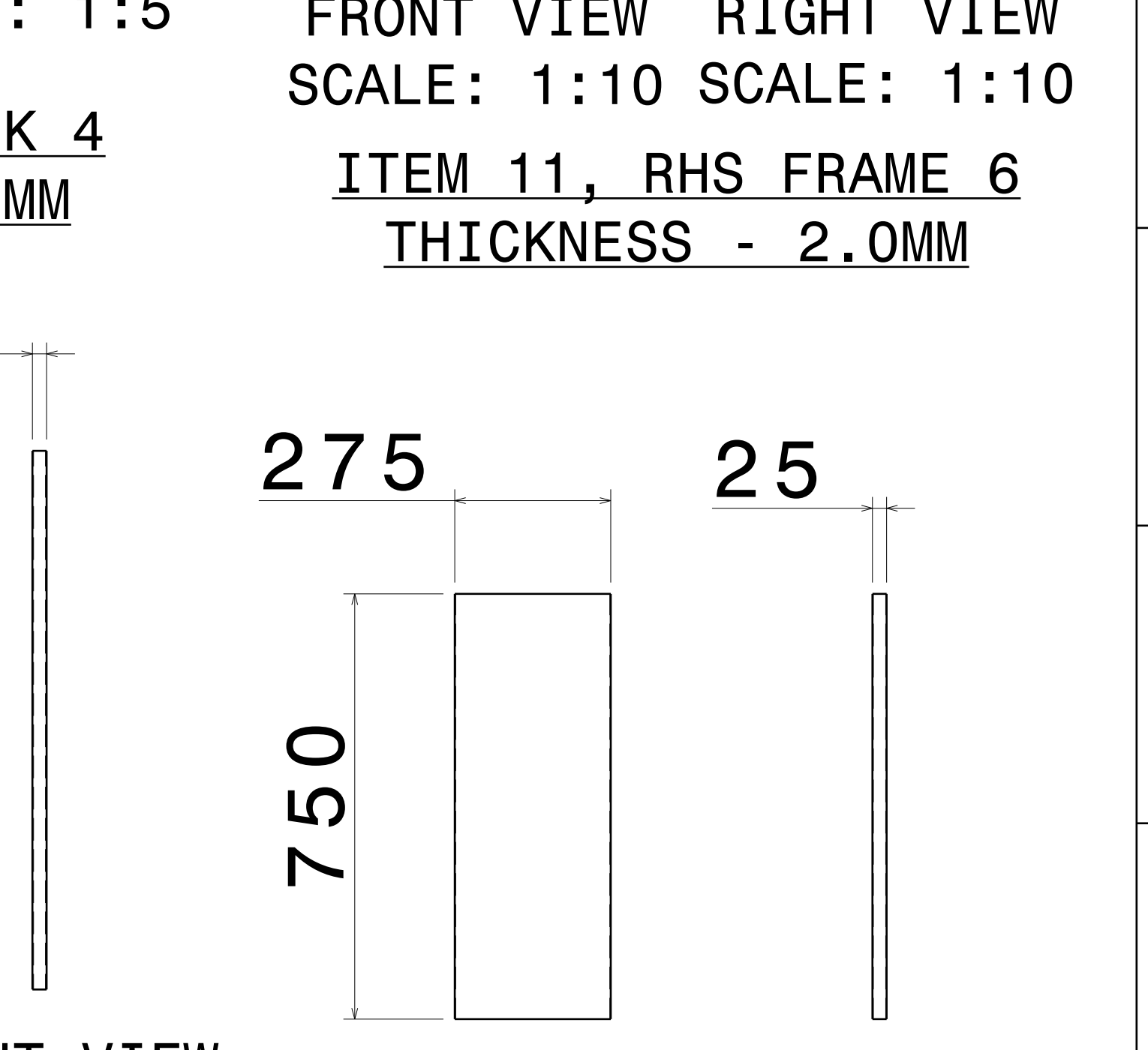
FRONT VIEW RIGHT VIEW
SCALE: 1:10 SCALE: 1:10
ITEM 19, RHS PLANK 9
THICKNESS - 1.6MM



FRONT VIEW RIGHT VIEW
SCALE: 1:10 SCALE: 1:10
ITEM 20, RHS FRAME 10
THICKNESS - 2.0MM



FRONT VIEW RIGHT VIEW
SCALE: 1:10 SCALE: 1:10
ITEM 21, RHS FRAME 11
THICKNESS - 2.0MM



FRONT VIEW RIGHT VIEW
SCALE: 1:10 SCALE: 1:10
ITEM 22, RHS PLANK 10
THICKNESS - 2.0MM

This drawing is our property. It can't be reproduced or communicated without our written agreement.

APL APOLLO TUBES LTD.

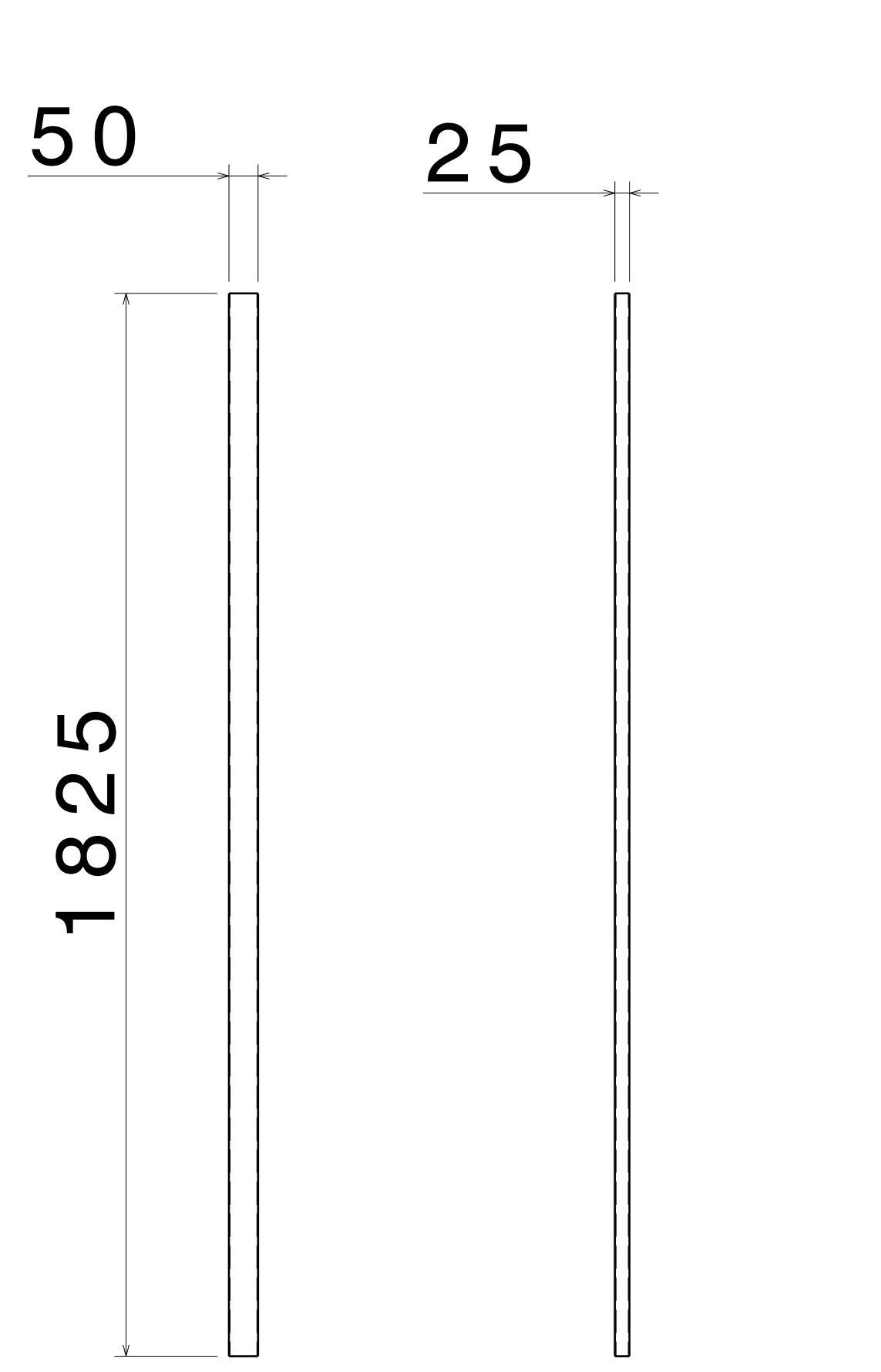
DRAWING TITLE: NOV 20 08-BOOK SHELF

DRAWN BY: SB	DATE: 25NOV2020	CHECKED BY: P2P Analysis & Solutions	DATE: 25NOV2020	DESIGNED BY: P2P Analysis & Solutions	DATE: 25NOV2020
--------------	-----------------	--------------------------------------	-----------------	---------------------------------------	-----------------

SIZE: A0	DRAWING NUMBER: P2P NOV 20 08-BOOK SHELF	REV: 00
SCALE: NONE	WEIGHT (kg): XXX	SHEET 3 OF 3

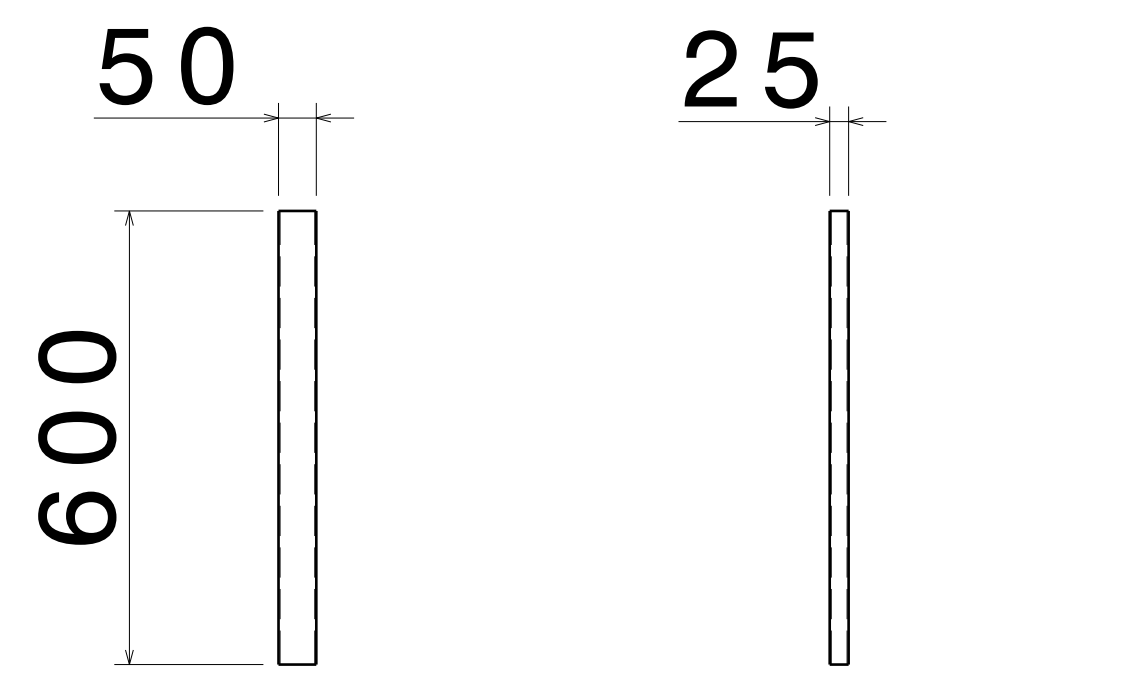
UNLESS OTHERWISE SPECIFIED DIMENSION ARE IN MM VIEWS: THIRD ANGLE PROJECTION

REV	DATE	DESCRIPTION
00	25NOV2020	INITIAL REVISION



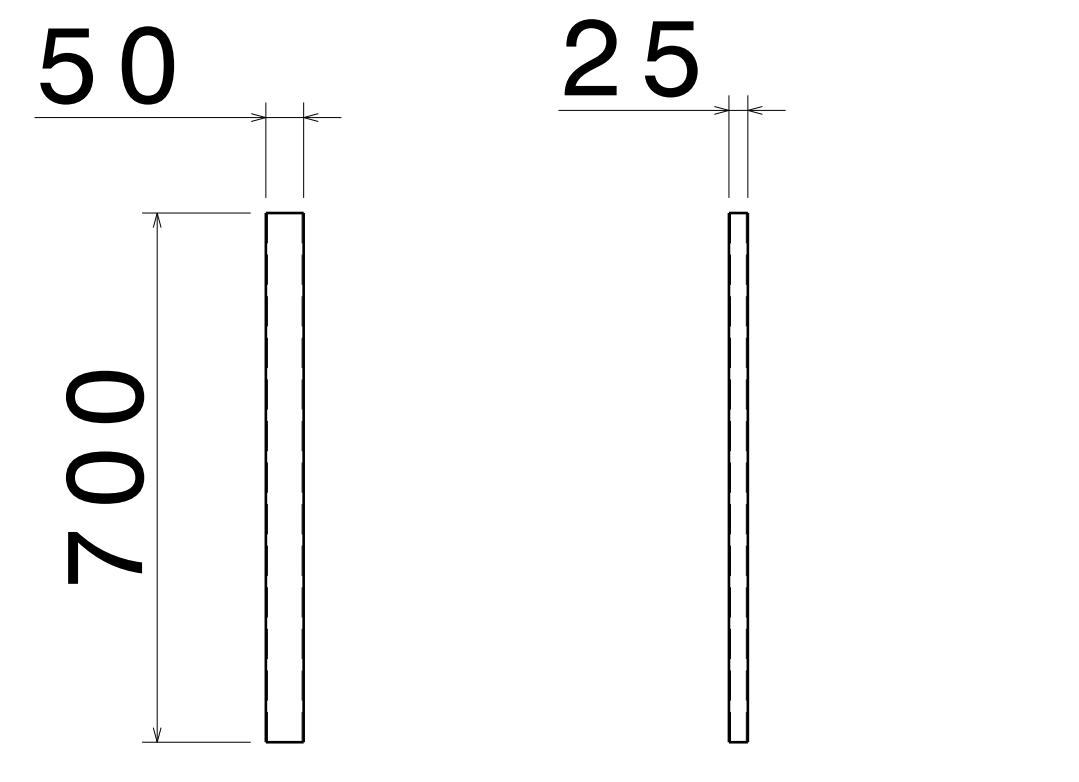
FRONT VIEW RIGHT VIEW
SCALE: 1:10 SCALE: 1:10

ITEM 23, RHS FRAME 12
THICKNESS - 2.0MM



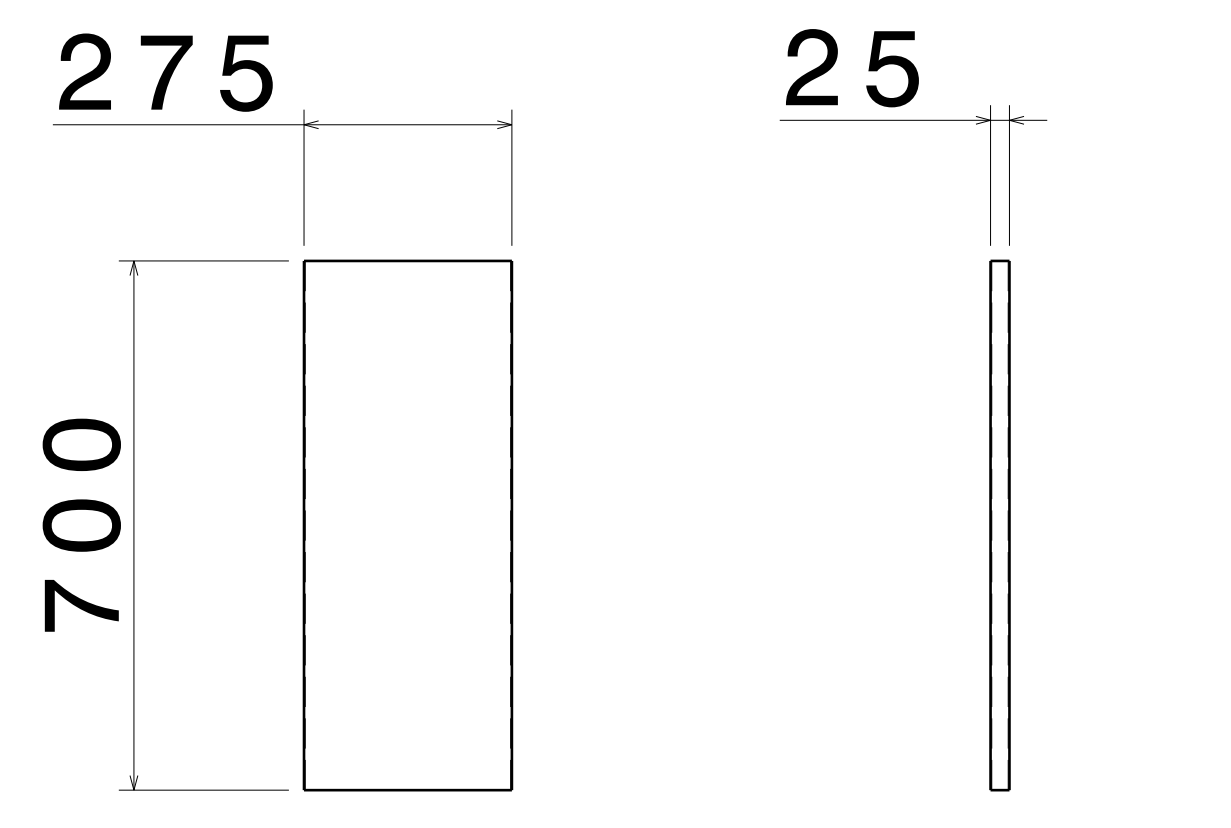
FRONT VIEW RIGHT VIEW
SCALE: 1:10 SCALE: 1:10

ITEM 24, RHS FRAME 13
THICKNESS - 2.0MM



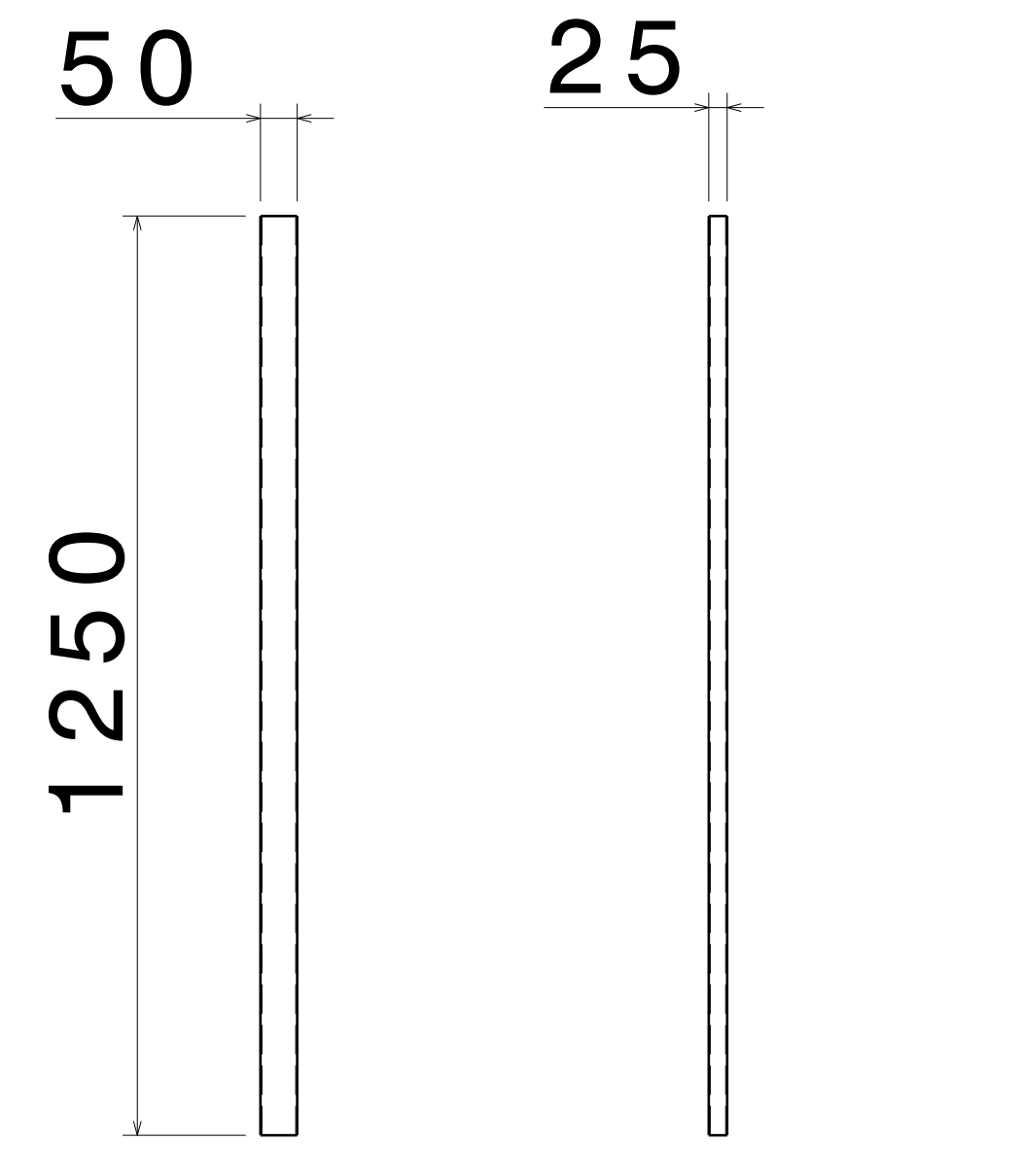
FRONT VIEW RIGHT VIEW
SCALE: 1:10 SCALE: 1:10

ITEM 25, RHS FRAME 14
THICKNESS - 2.0MM



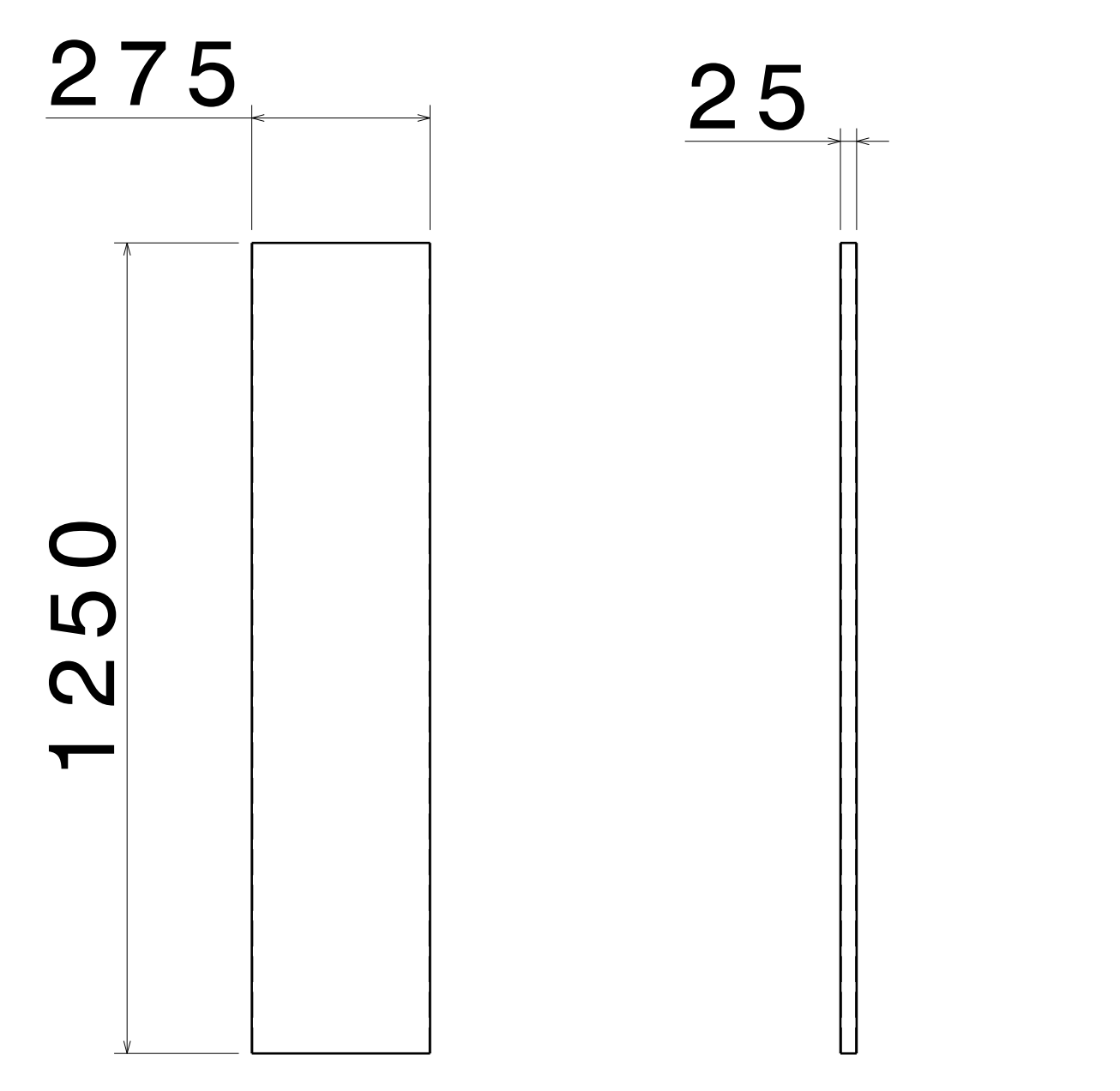
FRONT VIEW RIGHT VIEW
SCALE: 1:10 SCALE: 1:10

ITEM 26, RHS PLANK 11
THICKNESS - 1.6MM



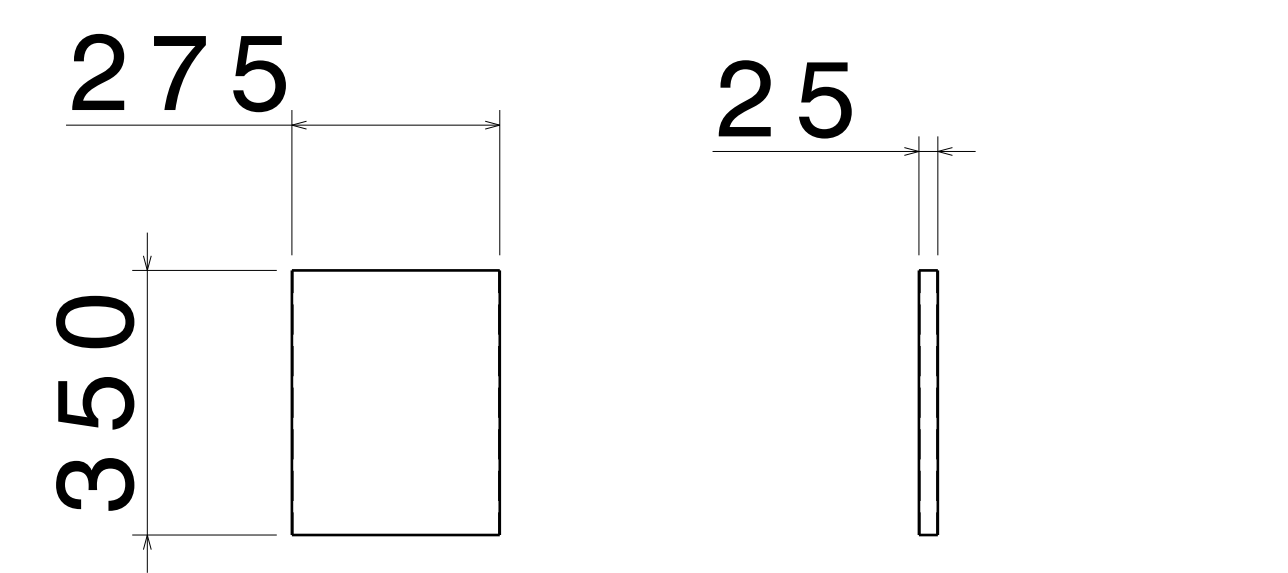
FRONT VIEW RIGHT VIEW
SCALE: 1:10 SCALE: 1:10

ITEM 27, RHS FRAME 15
THICKNESS - 2.0MM



FRONT VIEW RIGHT VIEW
SCALE: 1:10 SCALE: 1:10

ITEM 28, RHS PLANK 12
THICKNESS - 1.6MM



FRONT VIEW RIGHT VIEW
SCALE: 1:10 SCALE: 1:10

ITEM 29, RHS PLANK 13
THICKNESS - 1.6MM

UNLESS OTHERWISE SPECIFIED DIMENSION ARE IN MM
VIEWS: THIRD ANGLE PROJECTION

This drawing is our property. It can't be reproduced or communicated without our written agreement.		APL APOLLO TUBES LTD.	
DRAWN BY VM		DATE 25NOV2020	
CHECKED BY P2P Analysis & Solutions		DATE 25NOV2020	
DESIGNED BY P2P Analysis & Solutions		DATE 25NOV2020	
DRAWING TITLE NOV 20_08-BOOK SHELF		SIZE A0	DRAWING NUMBER P2P_NOV 20_08-BOOK SHELF
SCALE As Indicated		WEIGHT (kg) 0kg	REV 00
		SHEET 1 OF 3	