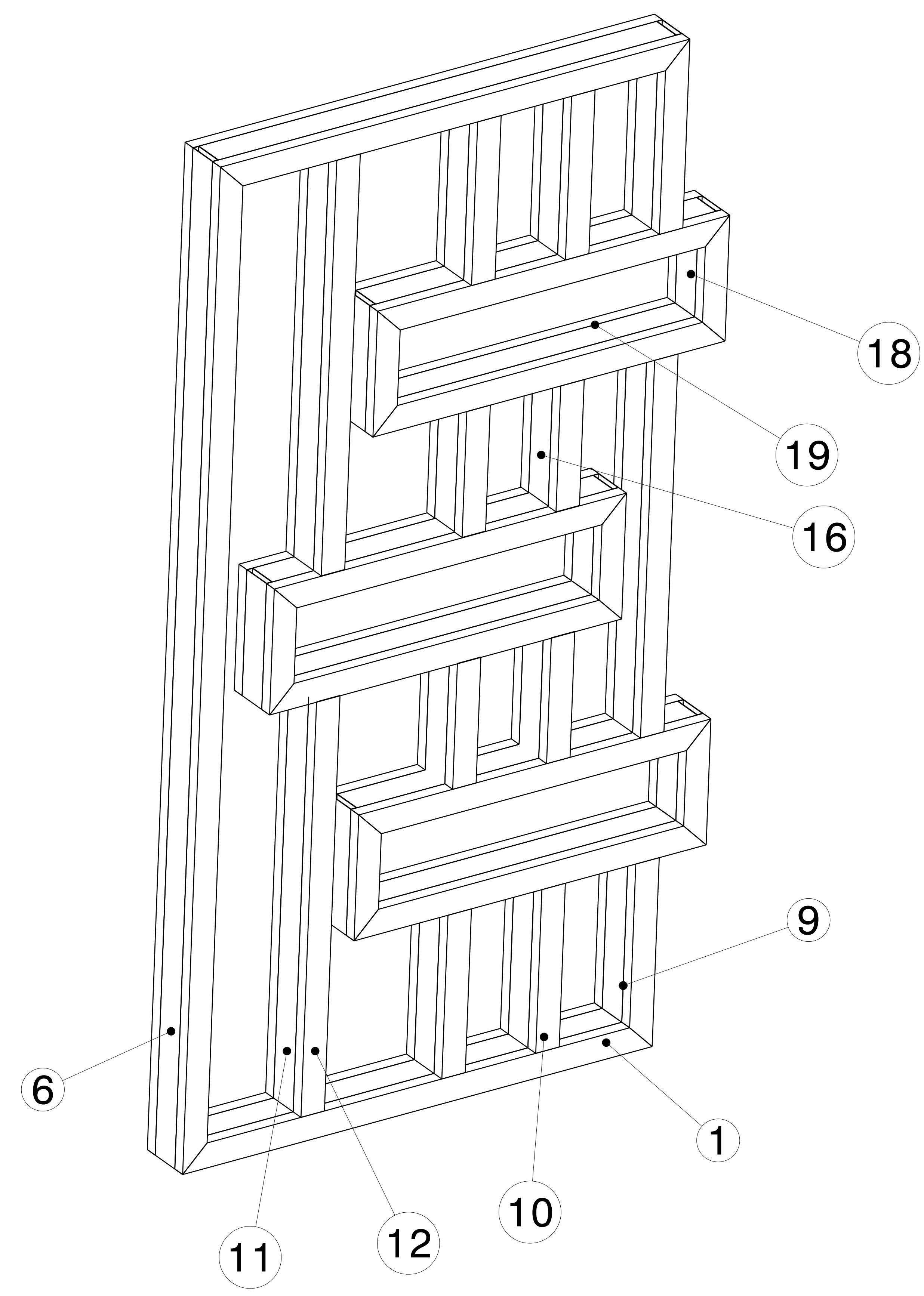
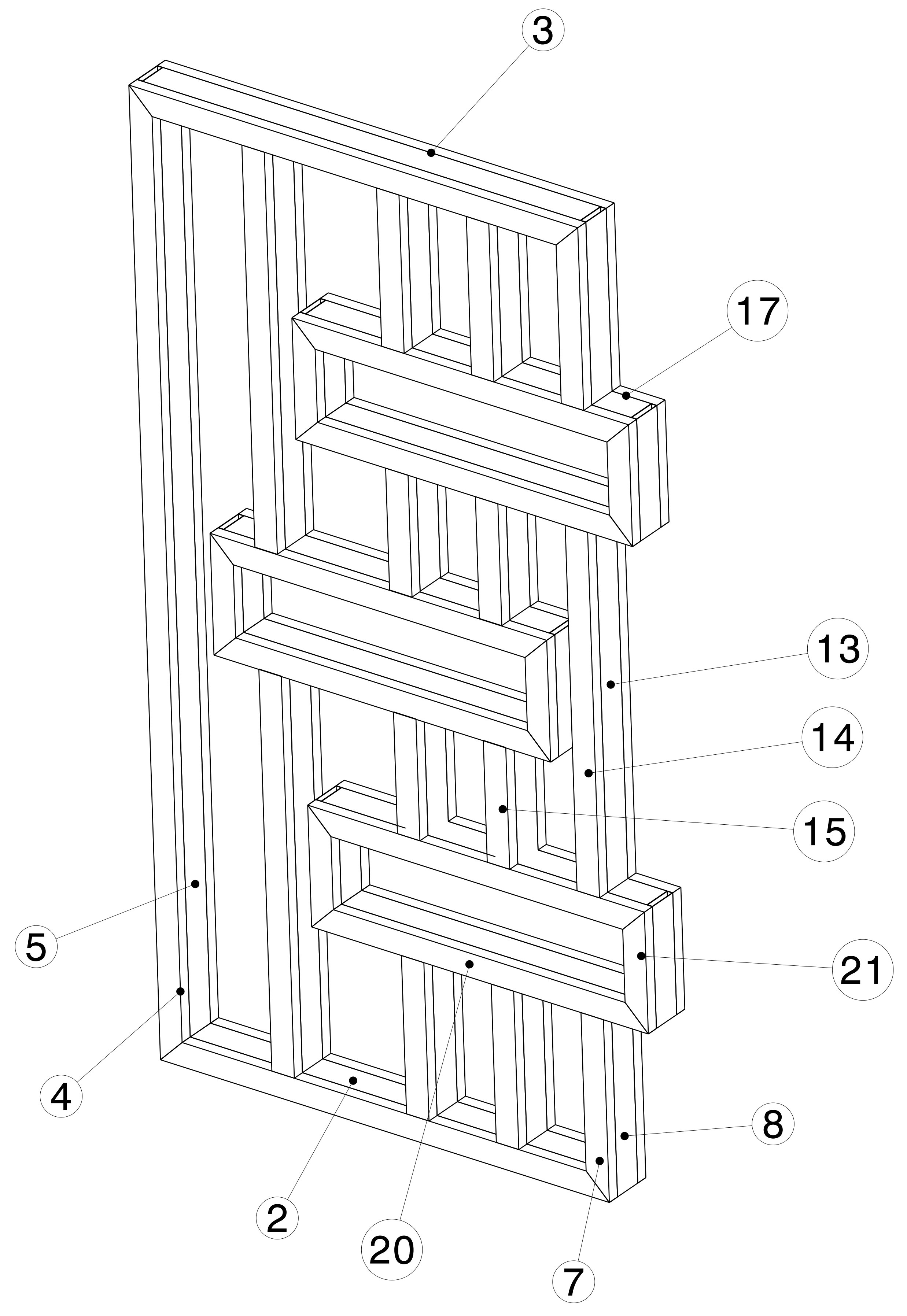


REV	DATE	DESCRIPTION
00	25NOV2020	INITIAL REVISION

- NOTES:
- (⊥) ALL VERTICAL SUPPORTS ARE PERPENDICULAR.
 - FLATNESS OF .5MM IS APPLIED BY DEFAULT.
 - ⊲ WELD BEAD OF 2MM RADIUS IS FOLLOWED.
 - ▽ SURFACE FINISH MEDIUM TO SMOOTH IS USED.
 - ALL TUBES ARE AS PER APL APOLLO STANDARD. CHANGES MAY EFFECT THE LOAD CAPACITY.
 - ALL HORIZONTAL AND VERTICAL TUBES ARE PERPENDICULAR TO EACH OTHER WITH ±1 DEG.
 - FINE WELDING IS REQUIRED AS PER MENTIONED DETAILS AND FINISHING.
 - HIGHER CURRENT WELDING MAY AFFECT THE BRITTLINESS OF MATERIAL WHICH LATER MAY RAISE TO WEAKENING OF STRUCTURE.
 - FABRICATORS ARE ALLOWED TO USE FITTINGS/FRAMES/SUPPORTS AS NEEDED AND THE SAME MUST BE COMMUNICATED BACK TO ENGINEERING TEAM.
 - BOP COMPONENT WEIGHTS ARE FOR REFERENCE ONLY AND SUBJECTED TO CHANGE PER PURCHASED COMPONENTS.



ISOMETRIC VIEW
SCALE: 1:10



ISOMETRIC VIEW
SCALE: 1:10

ITEM NO.	PART NUMBER	DESCRIPTION	QTY.	Wt (Kg)/Each
21	RHS FRAME 9	100 X 50 X 3.6 X 500	12	3.23
20	RHS FRAME 8	100 X 50 X 3.6 X 1500	12	11.31
19	RHS PLANK 12	125 X 25 X 1.6 X 1300	6	4.8
18	RHS PLANK 11	125 X 25 X 1.6 X 300	6	1.11
17	RHS PLANK 10	125 X 25 X 1.6 X 1450	6	5.35
16	RHS PLANK 9	125 X 25 X 1.6 X 500	14	1.85
15	RHS FRAME 7	100 X 50 X 3.6 X 500	8	4.04
14	RHS FRAME 6	100 X 50 X 3.6 X 1500	2	12.12
13	RHS PLANK 8	125 X 25 X 1.6 X 1500	2	5.54
12	RHS FRAME 5	100 X 50 X 3.6 X 1650	4	13.33
11	RHS PLANK 7	125 X 25 X 1.6 X 1650	4	6.09
10	RHS FRAME 4	100 X 50 X 3.6 X 650	8	5.25
9	RHS PLANK 6	125 X 25 X 1.6 X 650	10	2.4
8	RHS PLANK 5	125 X 25 X 1.6 X 750	2	2.77
7	RHS FRAME 3	100 X 50 X 3.6 X 750	4	5.66
6	RHS PLANK 4	125 X 25 X 1.6 X 4000	1	14.77
5	RHS PLANK 3	125 X 25 X 1.6 X 3800	1	14.03
4	RHS FRAME 2	100 X 50 X 3.6 X 4000	2	31.52
3	RHS PLANK 2	125 X 25 X 1.6 X 1950	2	7.2
2	RHS PLANK 1	125 X 25 X 1.6 X 1800	2	6.65
1	RHS FRAME 1	100 X 50 X 3.6 X 2000	4	15.35

This drawing is our property. It can't be reproduced or communicated without our written agreement.

APL APOLLO TUBES LTD.

DRAWING TITLE: NOV 20_09-PARTITION CUM SHELF

DRAWN BY: VM DATE: 25NOV2020

CHECKED BY: P2P Analysis & Solutions DATE: 25NOV2020

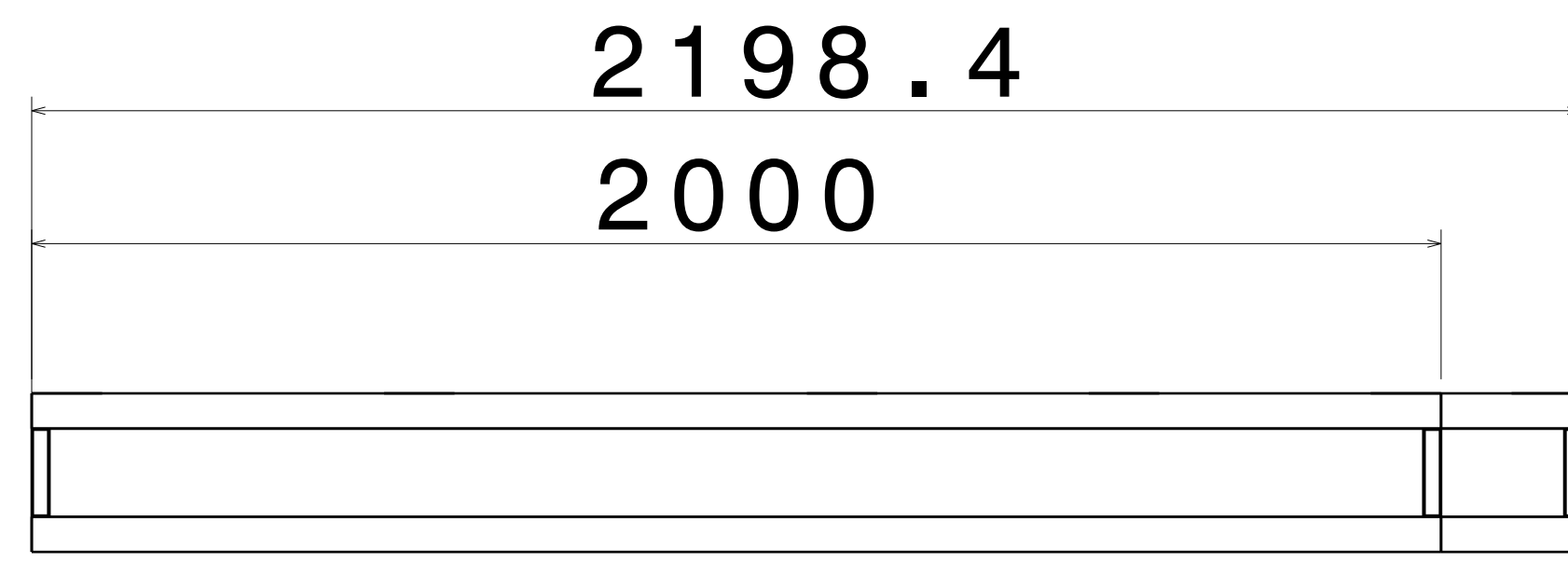
DESIGNED BY: P2P Analysis & Solutions DATE: 25NOV2020

SIZE: A0 DRAWING NUMBER: P2P_NOV_20_09-PARTITION CUM SHELF REV: 00

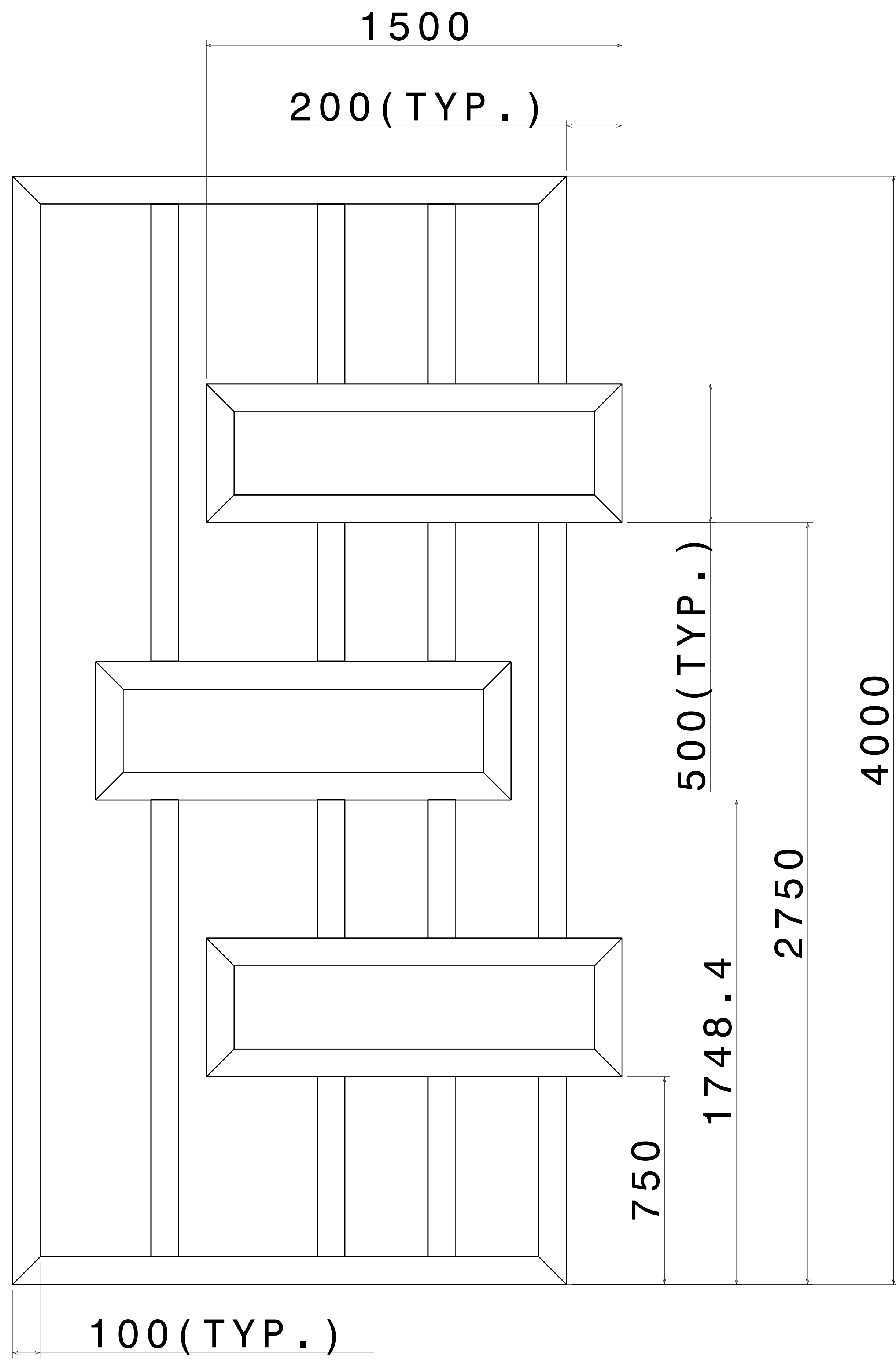
SCALE: As Indicated WEIGHT(kg): Okg SHEET 1 OF 3

UNLESS OTHERWISE SPECIFIED DIMENSION ARE IN MM VIEWS: THIRD ANGLE PROJECTION

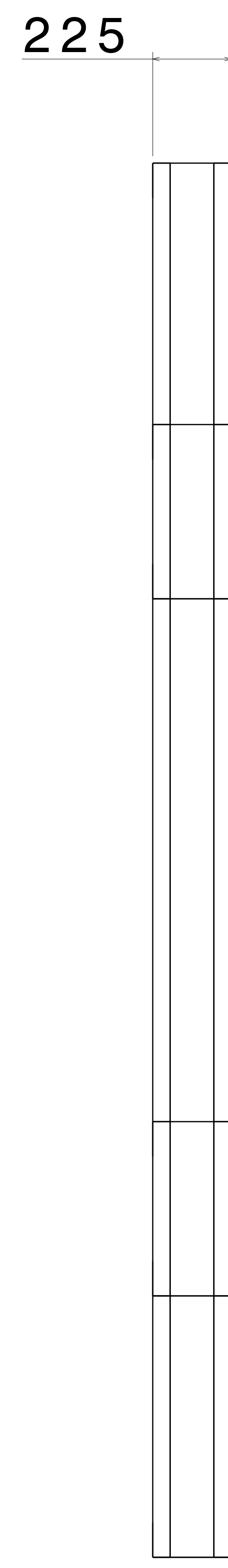
REV	DATE	DESCRIPTION
00	25NOV2020	INITIAL REVISION



TOP VIEW
SCALE: 1:10

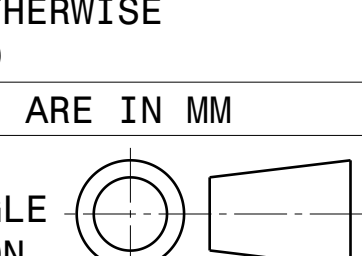



FRONT VIEW
SCALE: 1:10



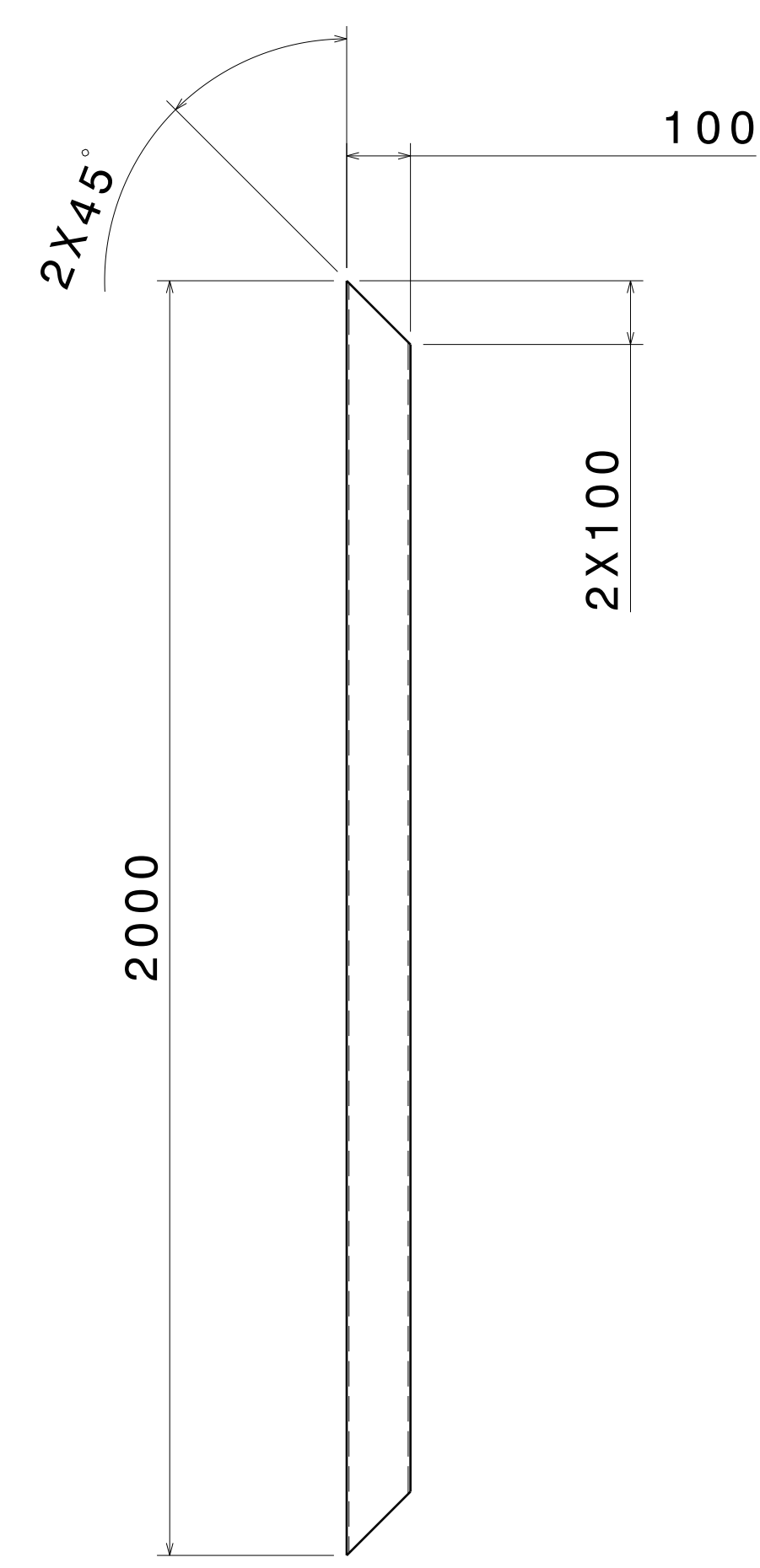
RIGHT VIEW
SCALE: 1:10

UNLESS OTHERWISE SPECIFIED DIMENSION ARE IN MM
VIEWS: THIRD ANGLE PROJECTION



This drawing is our property. It can't be reproduced or communicated without our written agreement.		APL APOLLO TUBES LTD. 	
DRAWN BY SB		DATE 25NOV2020	
CHECKED BY P2P Analysis & Solutions		DATE 25NOV2020	
DESIGNED BY P2P Analysis & Solutions		DATE 25NOV2020	
SIZE A0	DRAWING NUMBER NOV_20_09-PARTITION CUM SHELF	SCALE NONE	WEIGHT (kg) XXX
REV 00	SHEET 2 OF 3		

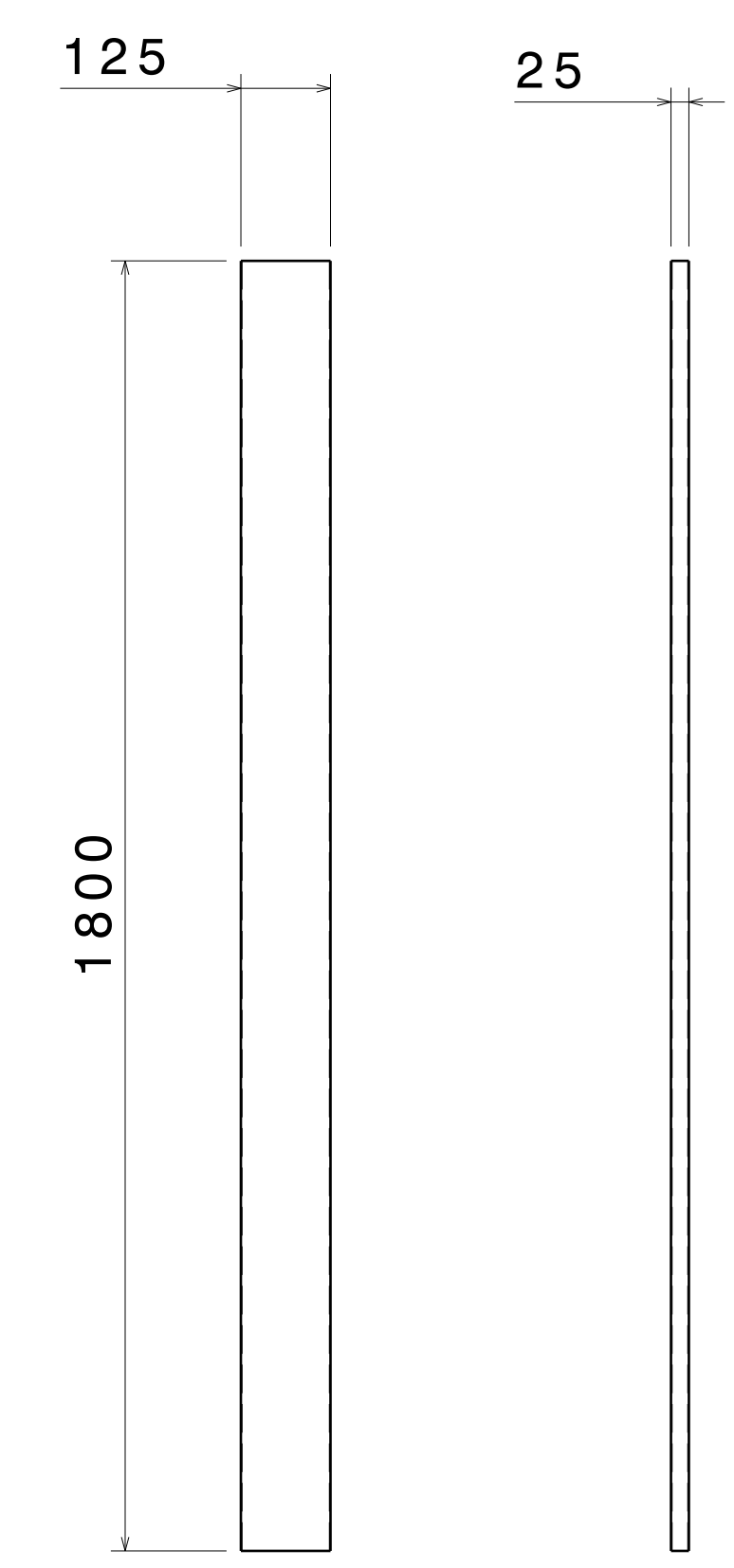
REV	DATE	DESCRIPTION
00	25NOV2020	INITIAL REVISION



FRONT VIEW
SCALE: 1:10

RIGHT VIEW
SCALE: 1:10

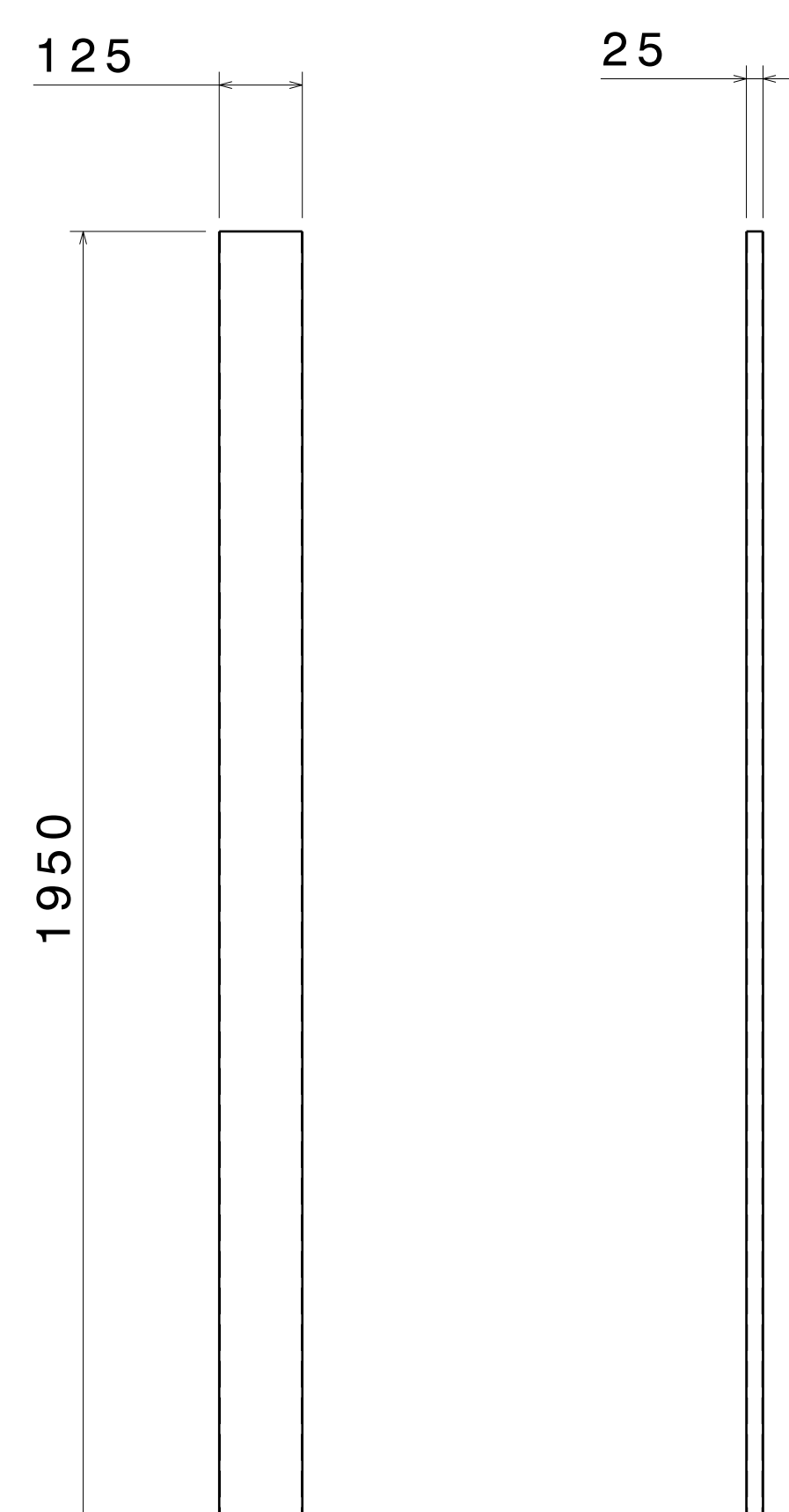
ITEM 1, RHS FRAME 1
THICKNESS - 3.6MM



FRONT VIEW
SCALE: 1:10

RIGHT VIEW
SCALE: 1:10

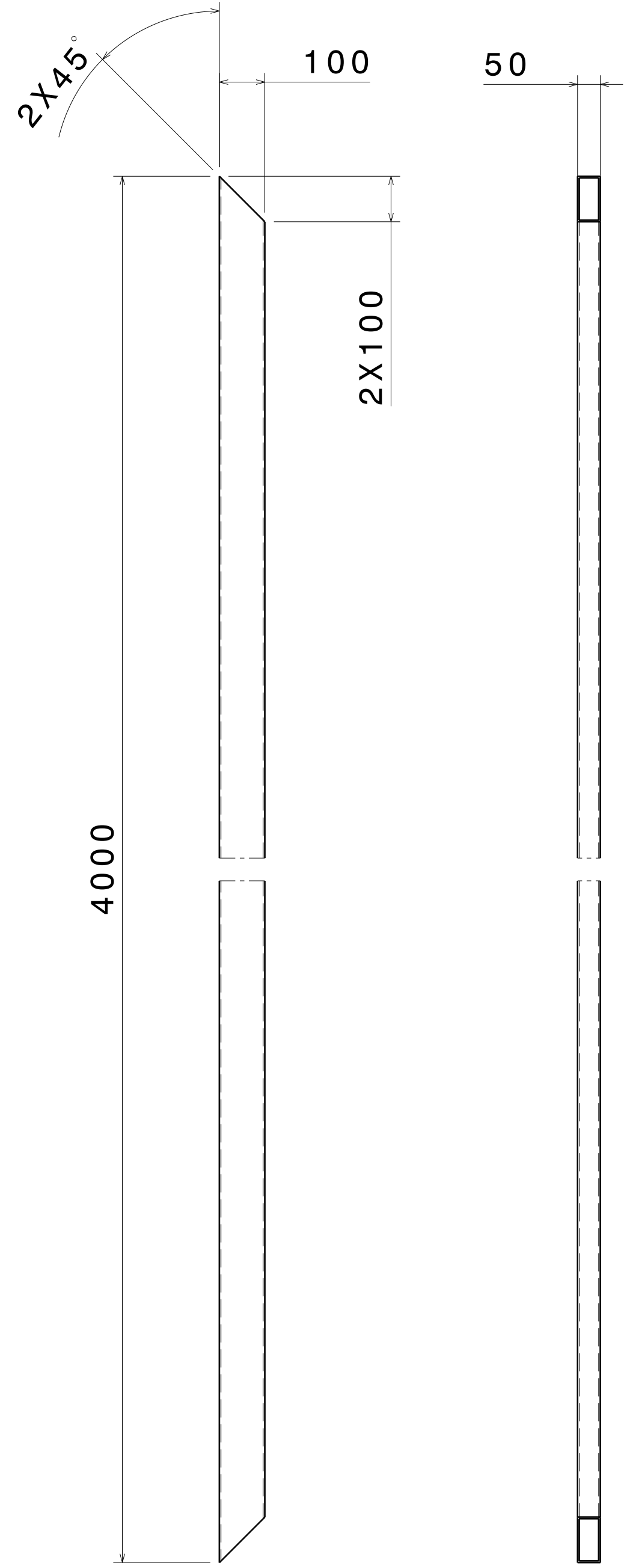
ITEM 2, RHS PLANK 1
THICKNESS - 1.6MM



FRONT VIEW
SCALE: 1:10

RIGHT VIEW
SCALE: 1:10

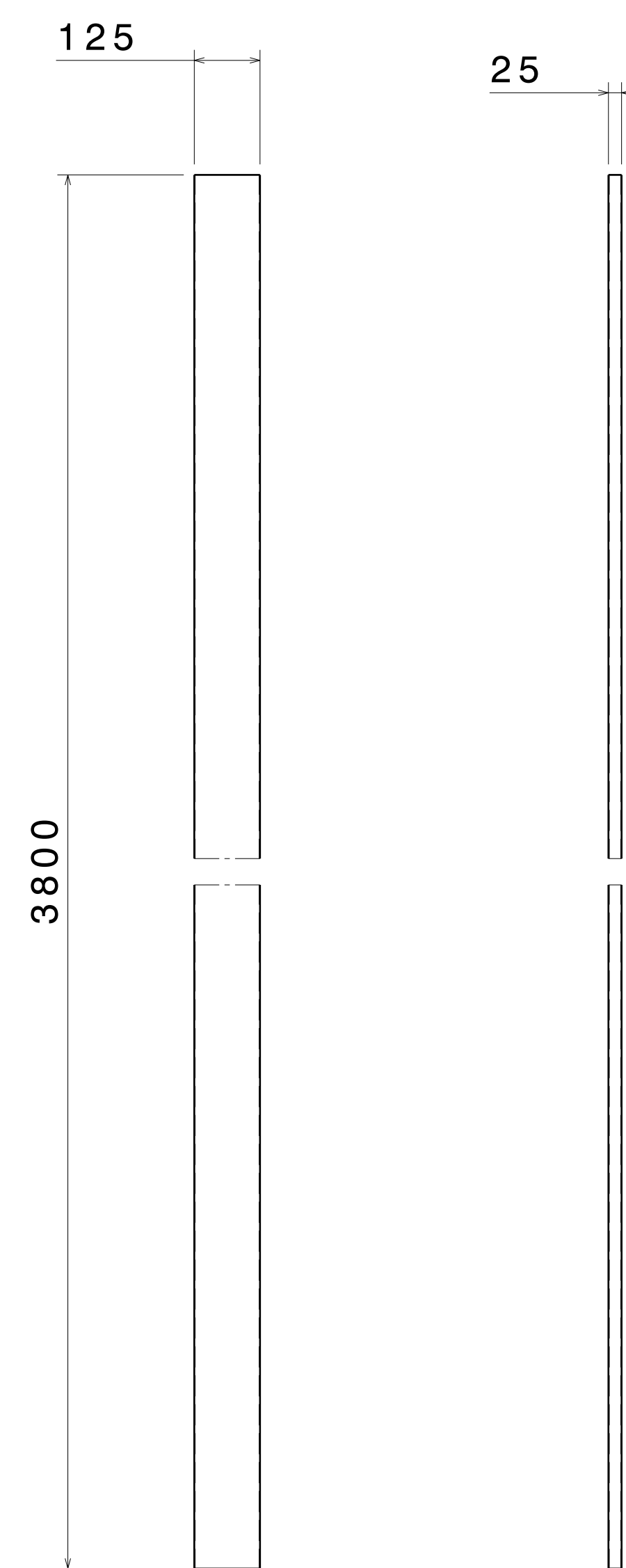
ITEM 3, RHS PLANK 2
THICKNESS - 1.6MM



FRONT VIEW
SCALE: 1:10

RIGHT VIEW
SCALE: 1:10

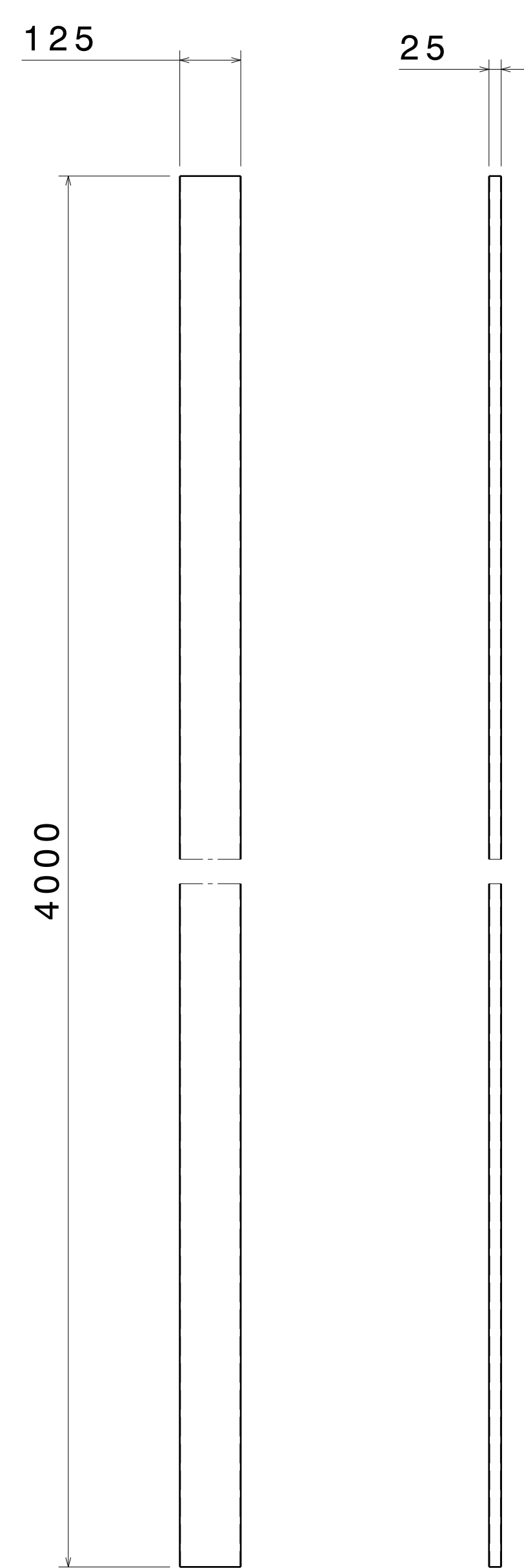
ITEM 4, RHS FRAME 2
THICKNESS - 3.6MM



FRONT VIEW
SCALE: 1:10

RIGHT VIEW
SCALE: 1:10

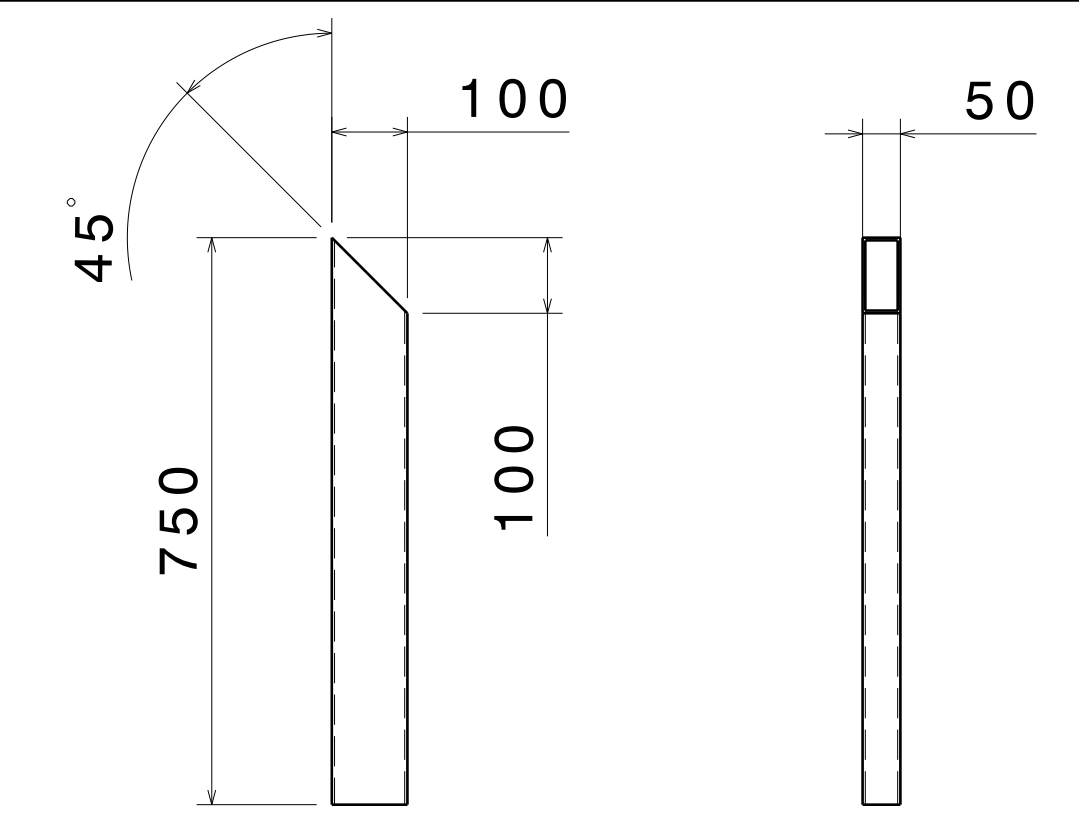
ITEM 5, RHS PLANK 3
THICKNESS - 1.6MM



FRONT VIEW
SCALE: 1:10

RIGHT VIEW
SCALE: 1:10

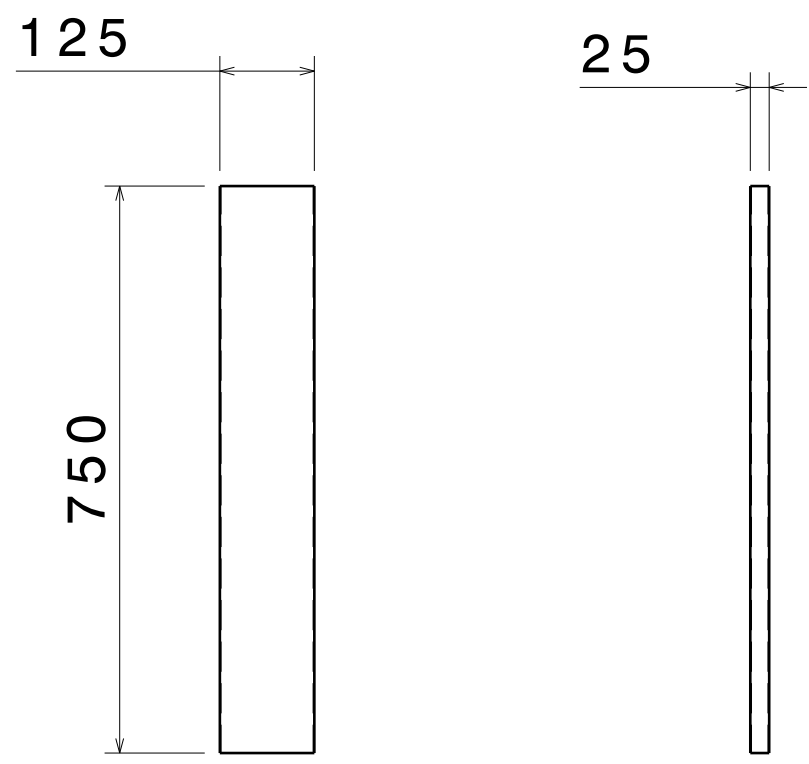
ITEM 6, RHS PLANK 4
THICKNESS - 1.6MM



FRONT VIEW
SCALE: 1:10

RIGHT VIEW
SCALE: 1:10

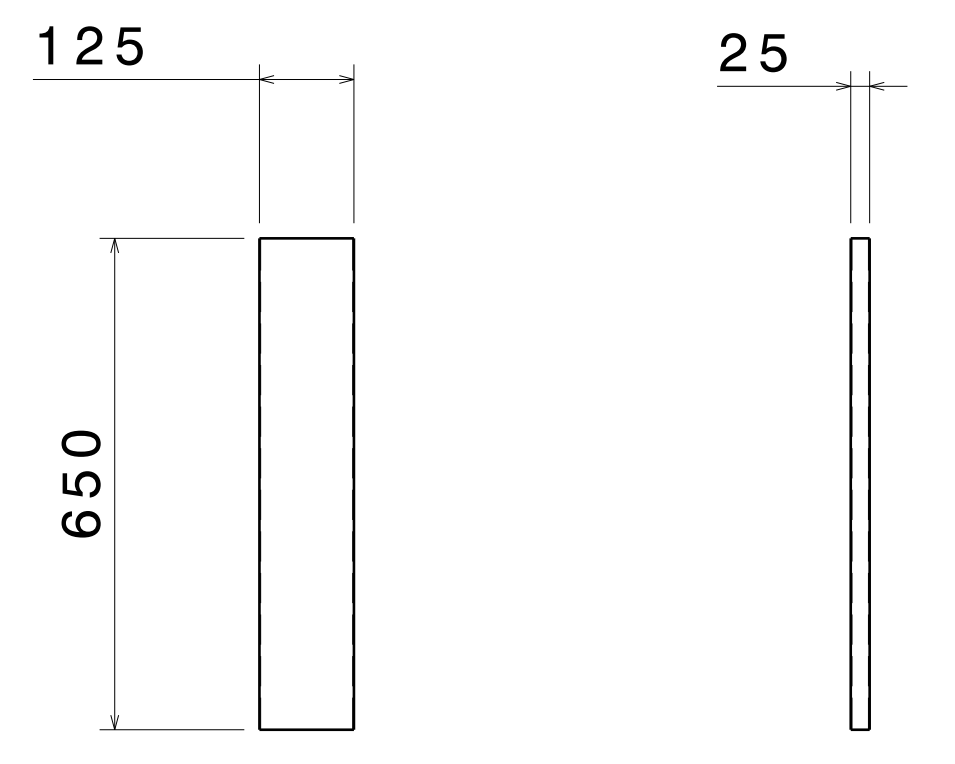
ITEM 7, RHS FRAME 3
THICKNESS - 3.6MM



FRONT VIEW
SCALE: 1:10

RIGHT VIEW
SCALE: 1:10

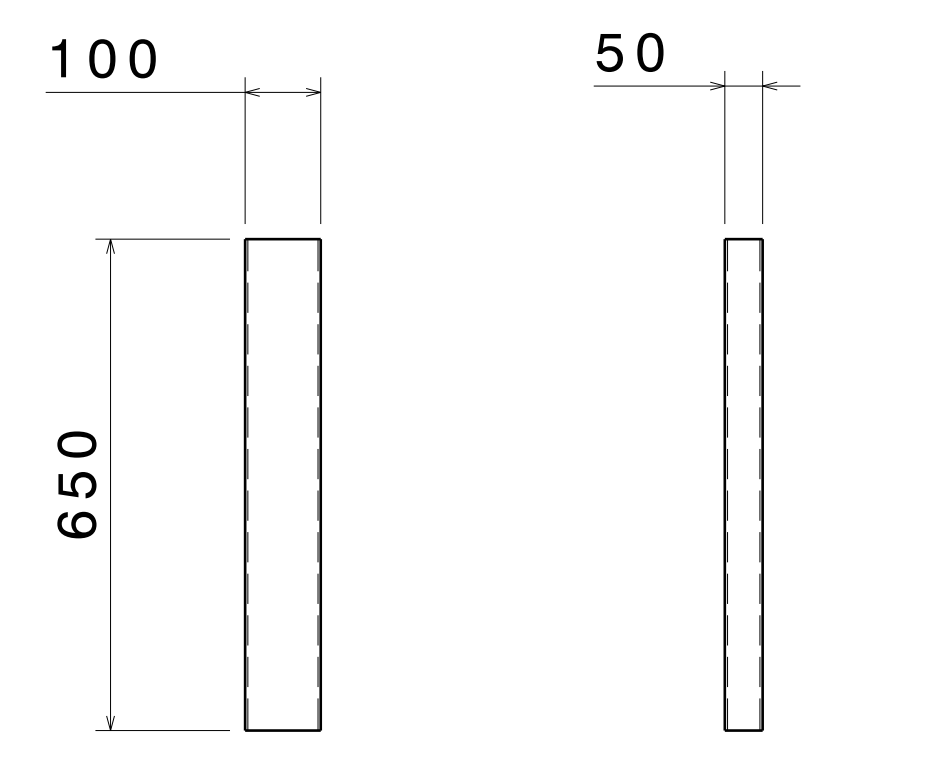
ITEM 8, RHS PLANK 5
THICKNESS - 1.6MM



FRONT VIEW
SCALE: 1:10

RIGHT VIEW
SCALE: 1:10

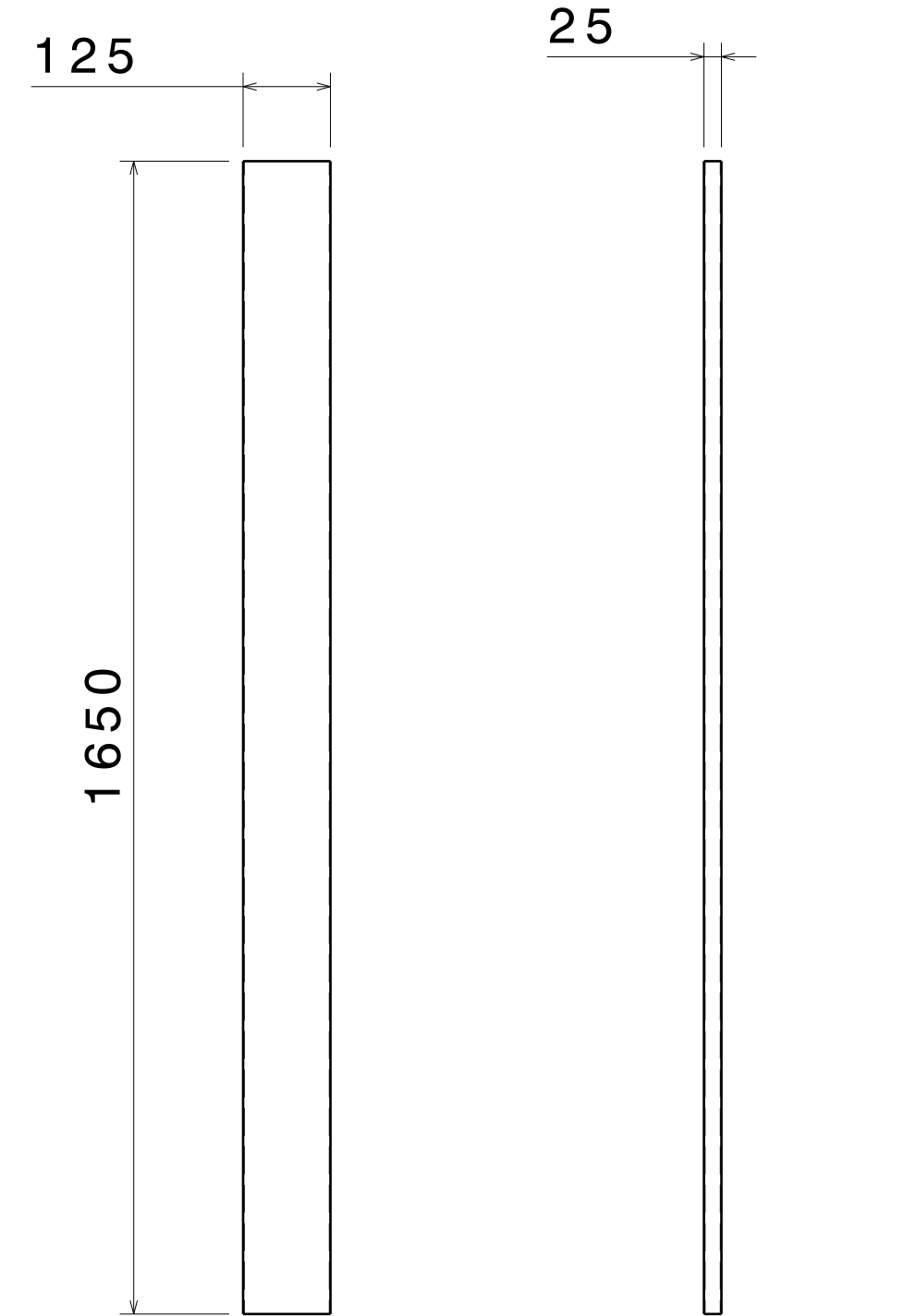
ITEM 9, RHS PLANK 6
THICKNESS - 1.6MM



FRONT VIEW
SCALE: 1:10

RIGHT VIEW
SCALE: 1:10

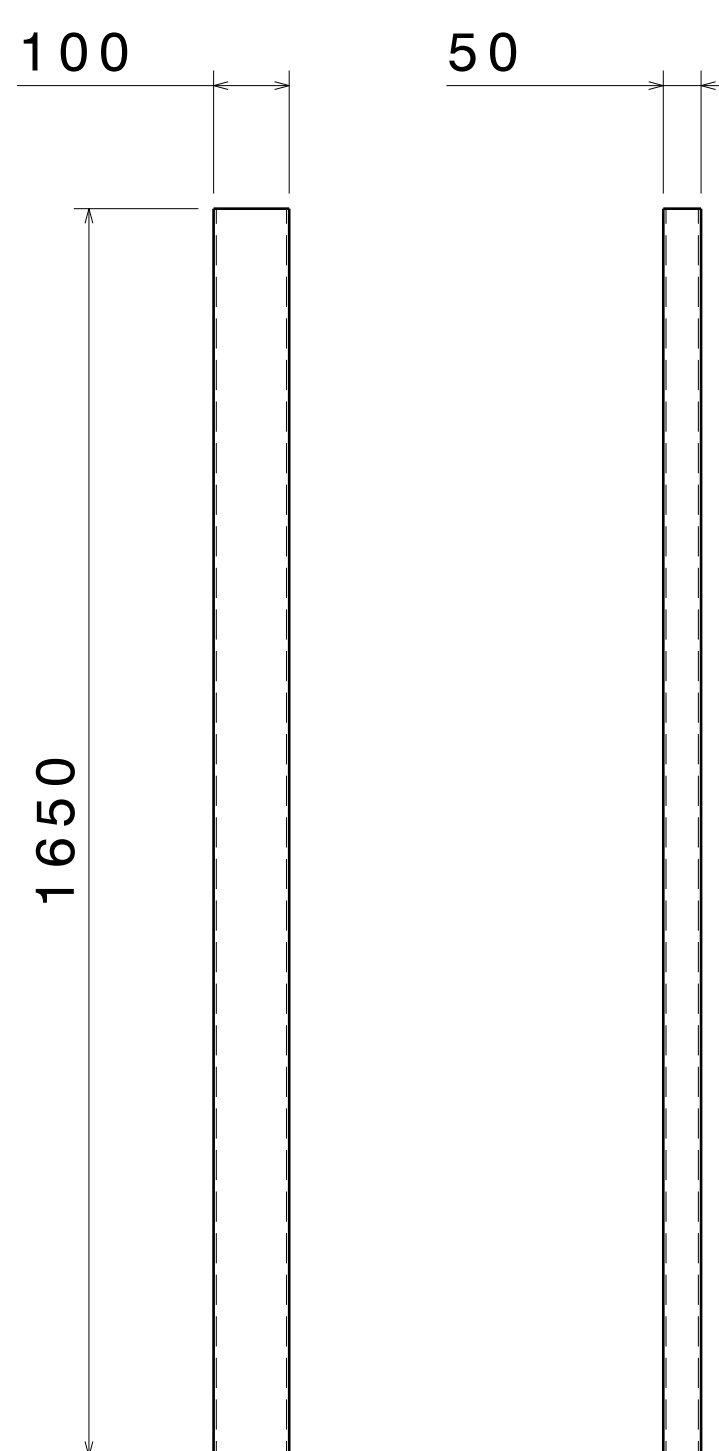
ITEM 10, RHS FRAME 4
THICKNESS - 3.6MM



FRONT VIEW
SCALE: 1:10

RIGHT VIEW
SCALE: 1:10

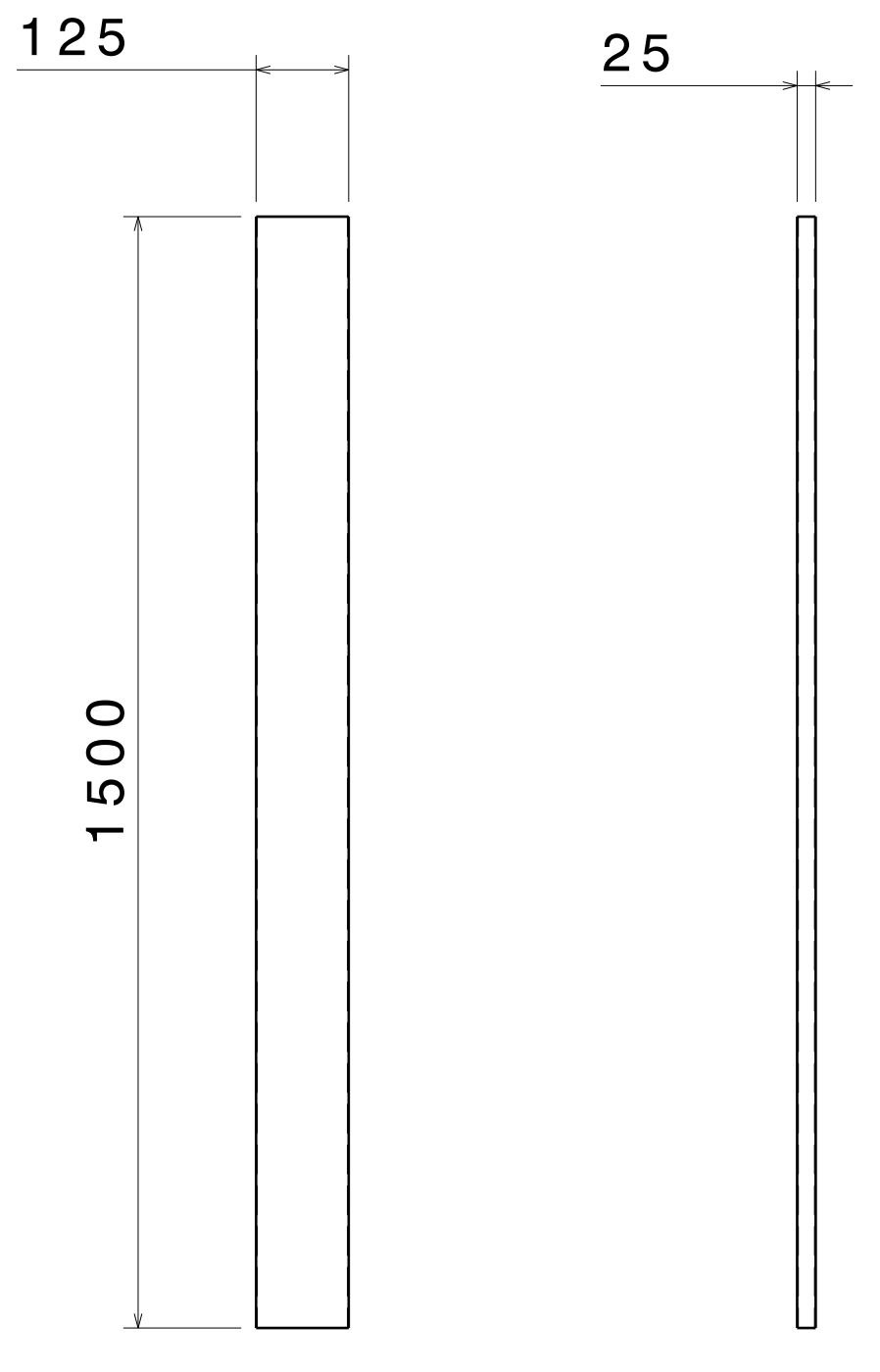
ITEM 11, RHS PLANK 7
THICKNESS - 1.6MM



FRONT VIEW
SCALE: 1:10

RIGHT VIEW
SCALE: 1:10

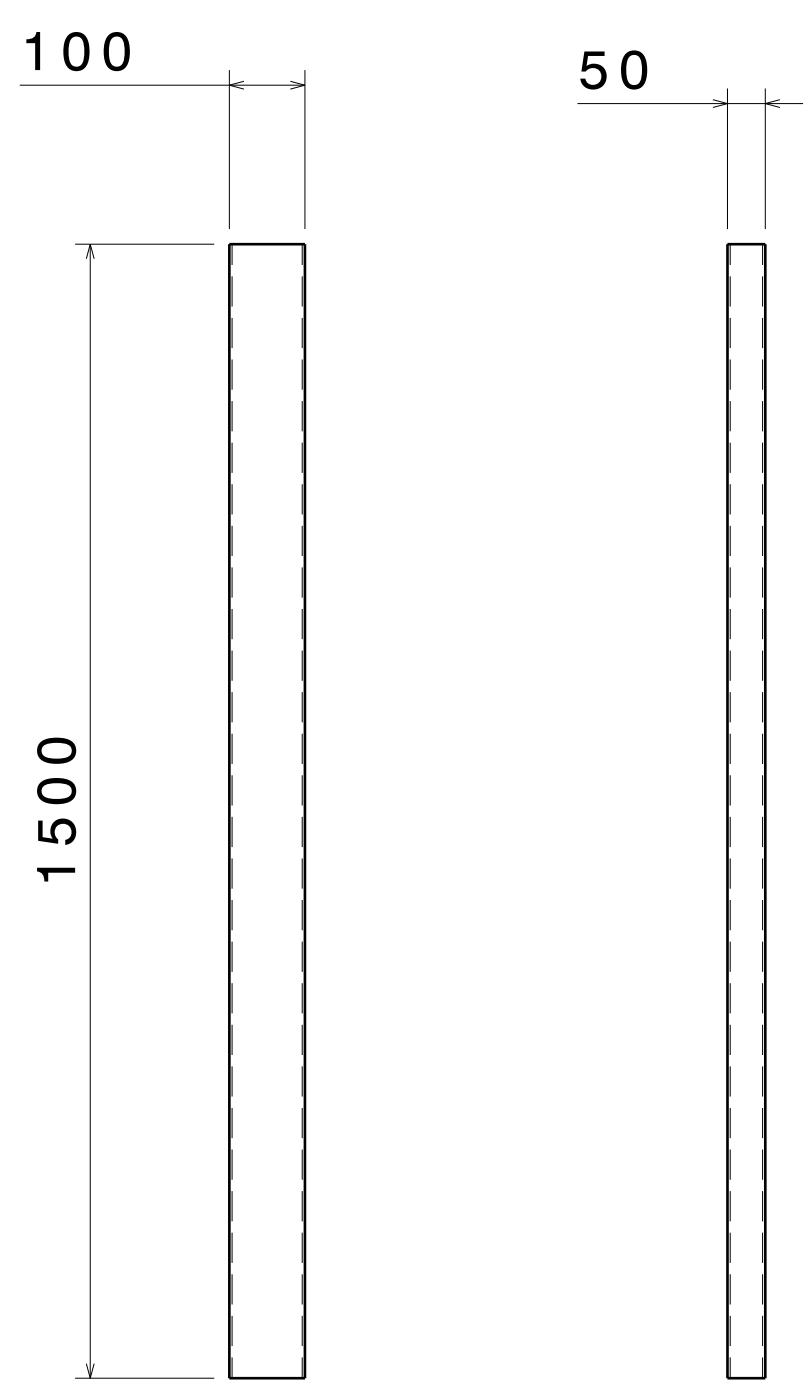
ITEM 12, RHS FRAME 5
THICKNESS - 3.6MM



FRONT VIEW
SCALE: 1:10

RIGHT VIEW
SCALE: 1:10

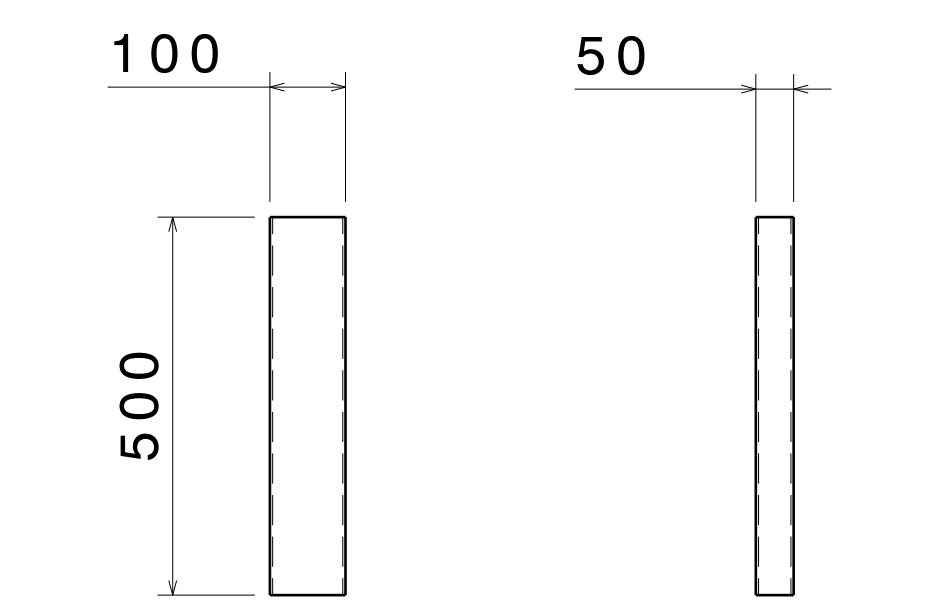
ITEM 13, RHS PLANK 8
THICKNESS - 1.6MM



FRONT VIEW
SCALE: 1:10

RIGHT VIEW
SCALE: 1:10

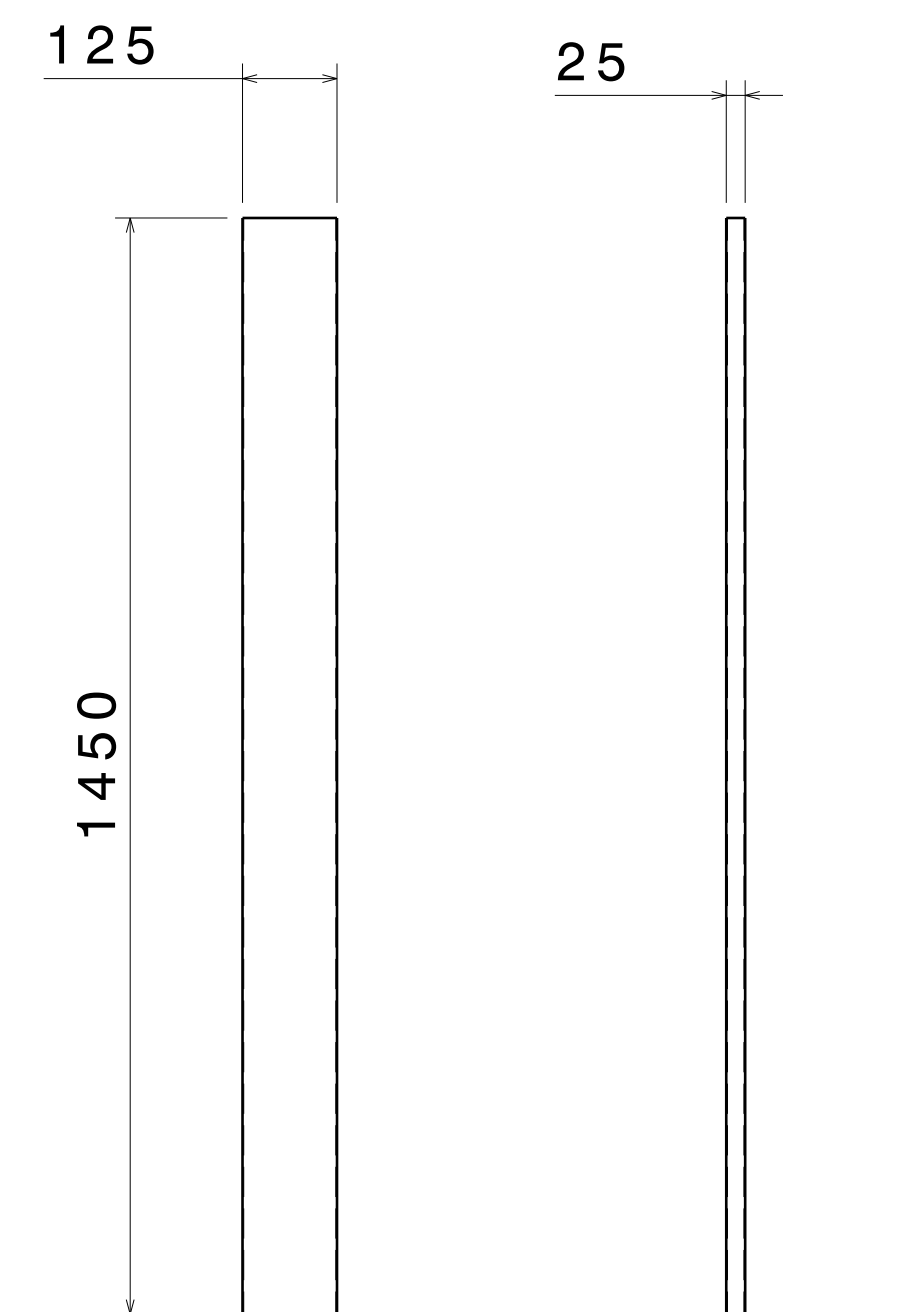
ITEM 14, RHS FRAME 6
THICKNESS - 3.6MM



FRONT VIEW
SCALE: 1:10

RIGHT VIEW
SCALE: 1:10

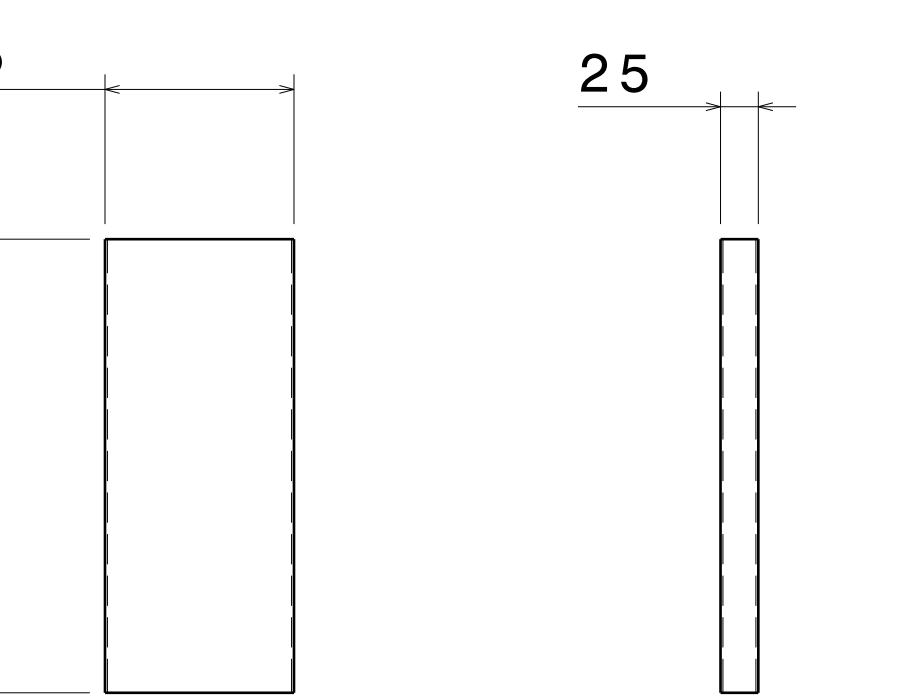
ITEM 15, RHS FRAME 7
THICKNESS - 3.6MM



FRONT VIEW
SCALE: 1:10

RIGHT VIEW
SCALE: 1:10

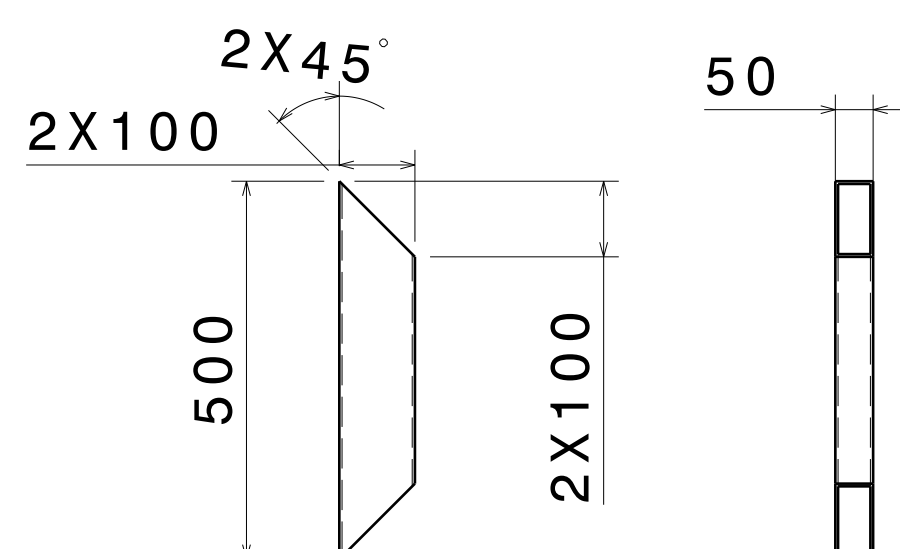
ITEM 17, RHS PLANK 10
THICKNESS - 1.6MM



FRONT VIEW
SCALE: 1:5

RIGHT VIEW
SCALE: 1:5

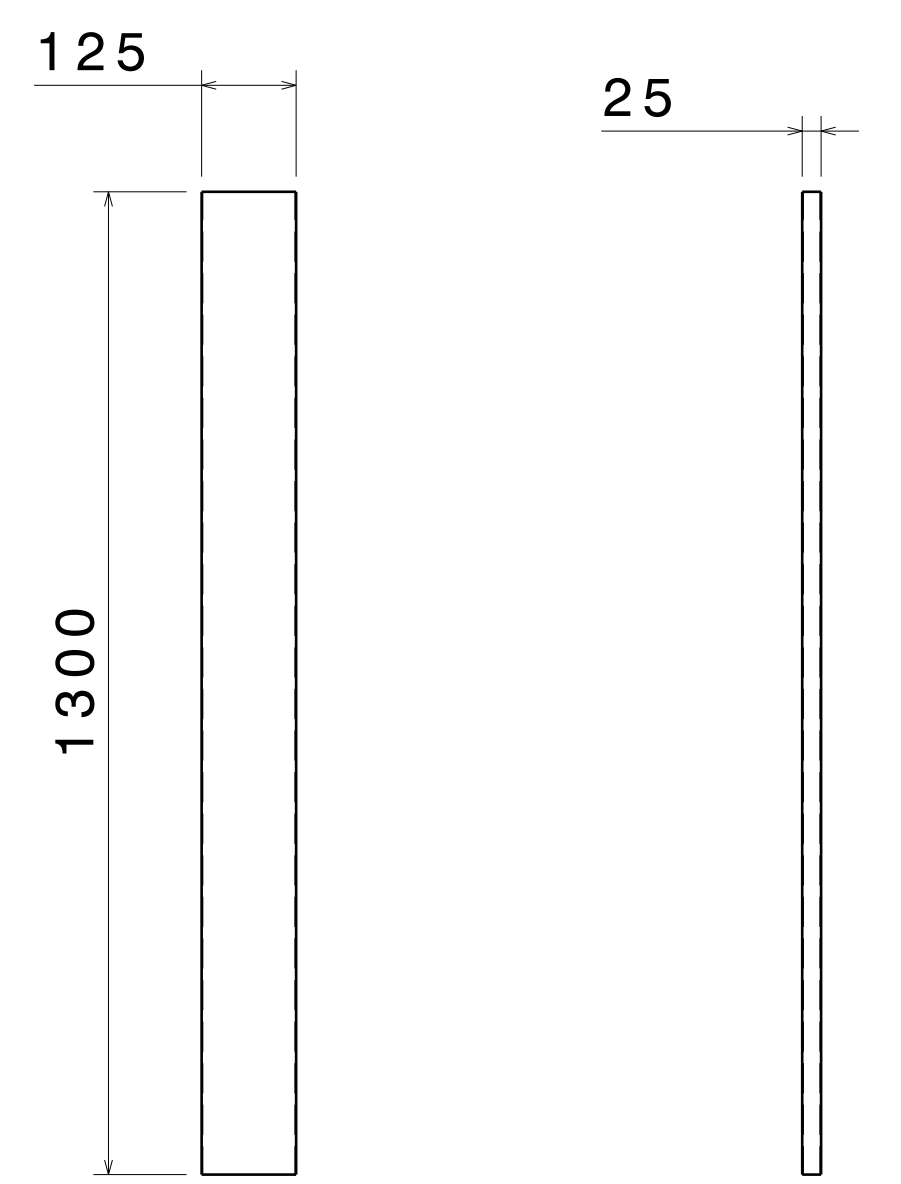
ITEM 18, RHS PLANK 11
THICKNESS - 1.6MM



FRONT VIEW
SCALE: 1:10

RIGHT VIEW
SCALE: 1:10

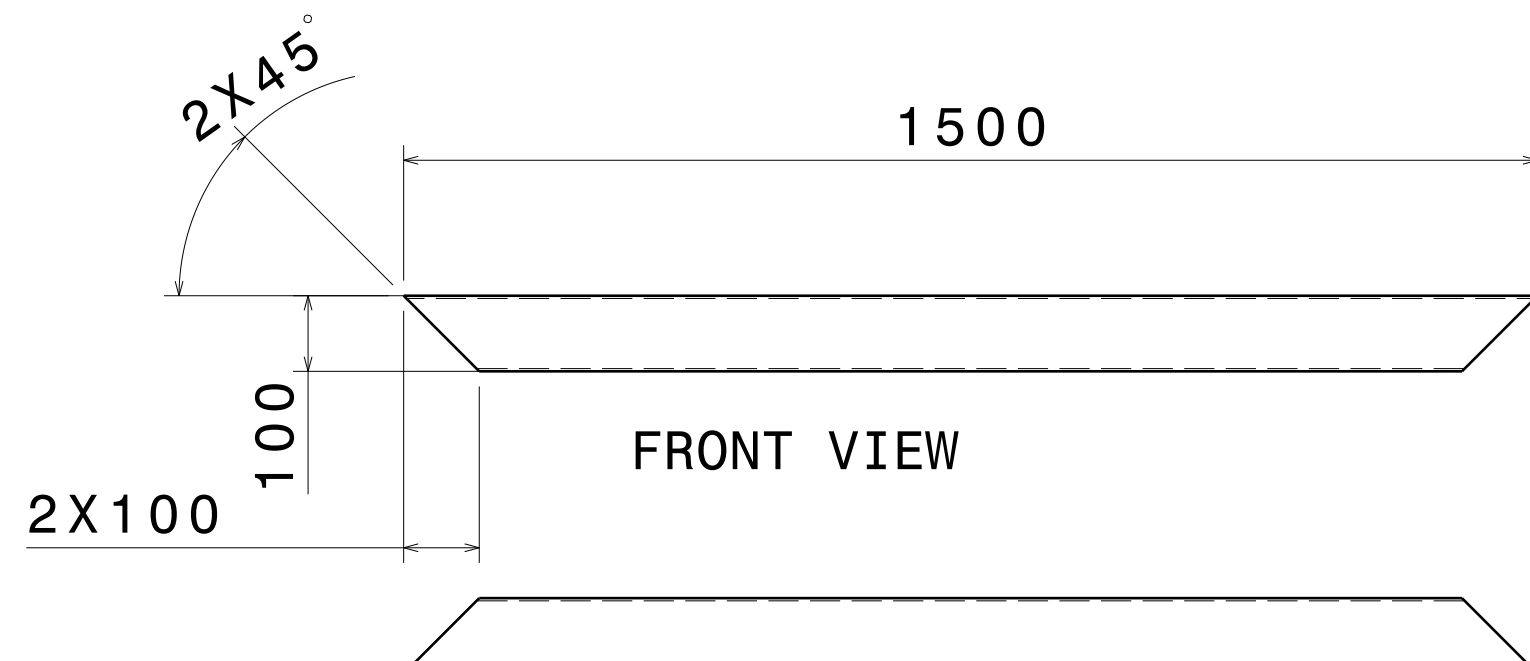
ITEM 21, RHS FRAME 9
THICKNESS - 3.6MM



FRONT VIEW
SCALE: 1:10

RIGHT VIEW
SCALE: 1:10

ITEM 19, RHS PLANK 12
THICKNESS - 1.6MM

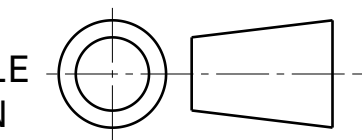


FRONT VIEW

RIGHT VIEW
SCALE: 1:10

ITEM 20, RHS FRAME 8
THICKNESS - 3.6MM

UNLESS OTHERWISE SPECIFIED
DIMENSION ARE IN MM
VIEWS:
THIRD ANGLE PROJECTION



This drawing is our property. It can't be reproduced or communicated without our written agreement.	
DRAWN BY SB	DATE 25NOV2020
CHECKED BY P2P Analysis & Solutions	DATE 25NOV2020
DESIGNED BY P2P Analysis & Solutions	DATE 25NOV2020

APL APOLLO TUBES LTD.	
DRAWING TITLE NOV 20 09-PARTITION CUM SHELF	
SIZE A0	REV 00
SCALE NONE WEIGHT(kg) XXX SHEET 3 OF 3	