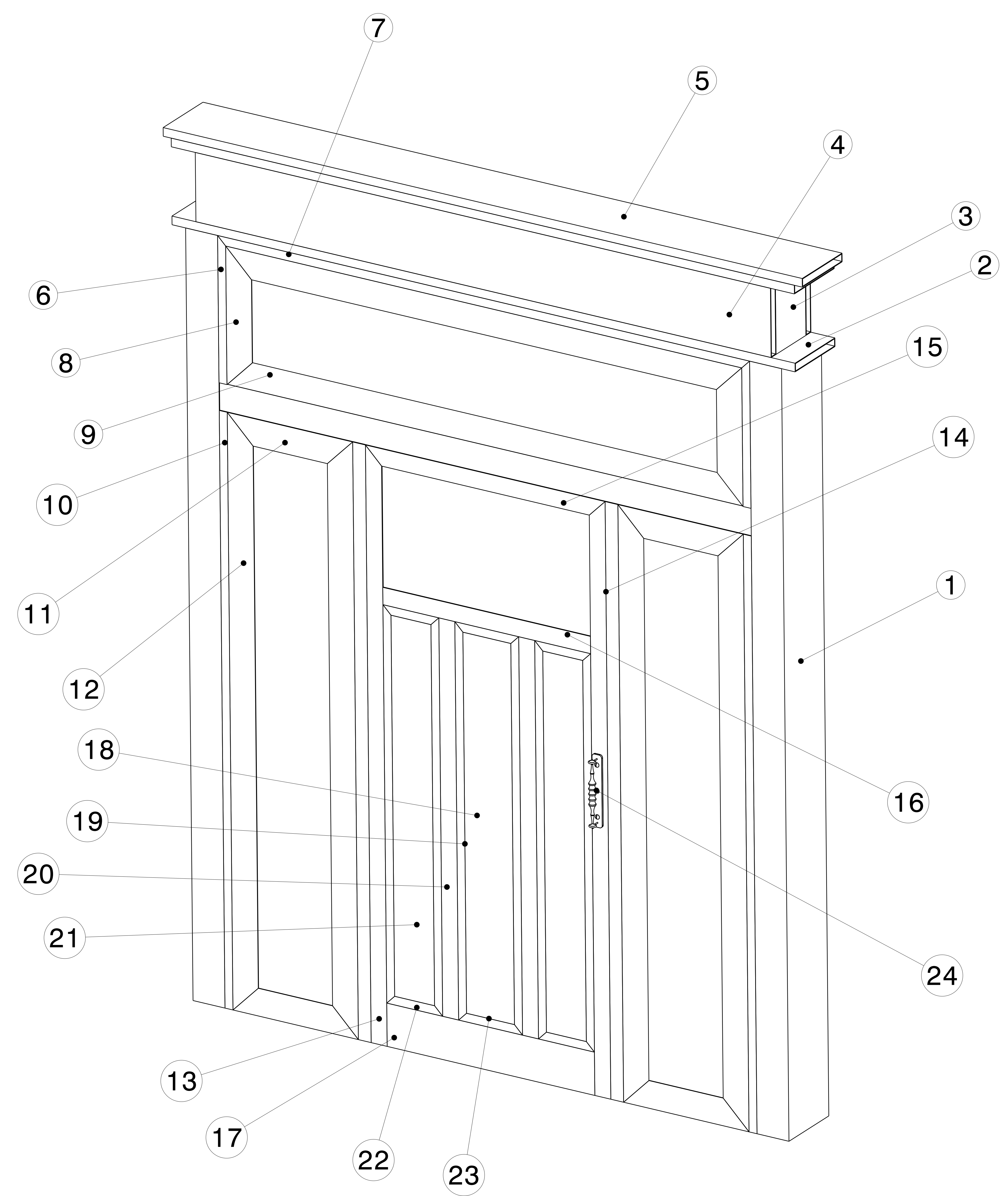


REV	DATE	DESCRIPTION
00	25NOV2020	INITIAL REVISION

- NOTES:
- (⊥) ALL VERTICAL SUPPORTS ARE PERPENDICULAR.
 - FLATNESS OF .5MM IS APPLIED BY DEFAULT.
 - ⊥ WELD BEAD OF 2MM RADIUS IS FOLLOWED.
 - ▽ SURFACE FINISH MEDIUM TO SMOOTH IS USED.
 - ALL TUBES ARE AS PER APL APOLLO STANDARD. CHANGES MAY EFFECT THE LOAD CAPACITY.
 - ALL HORIZONTAL AND VERTICAL TUBES ARE PERPENDICULAR TO EACH OTHER WITH ±1 DEG.
 - FINE WELDING IS REQUIRED AS PER MENTIONED DETAILS AND FINISHING.
 - HIGHER CURRENT WELDING MAY AFFECT THE BRITTLENESS OF MATERIAL WHICH LATER MAY RAISE TO WEAKENING OF STRUCTURE.
 - FABRICATORS ARE ALLOWED TO USE FITTINGS/FRAMES/SUPPORTS AS NEEDED AND THE SAME MUST BE COMMUNICATED BACK TO ENGINEERING TEAM.
 - BOP COMPONENT WEIGHTS ARE FOR REFERENCE ONLY AND SUBJECTED TO CHANGE PER PURCHASED COMPONENTS.



ISOMETRIC VIEW
SCALE : 1:5

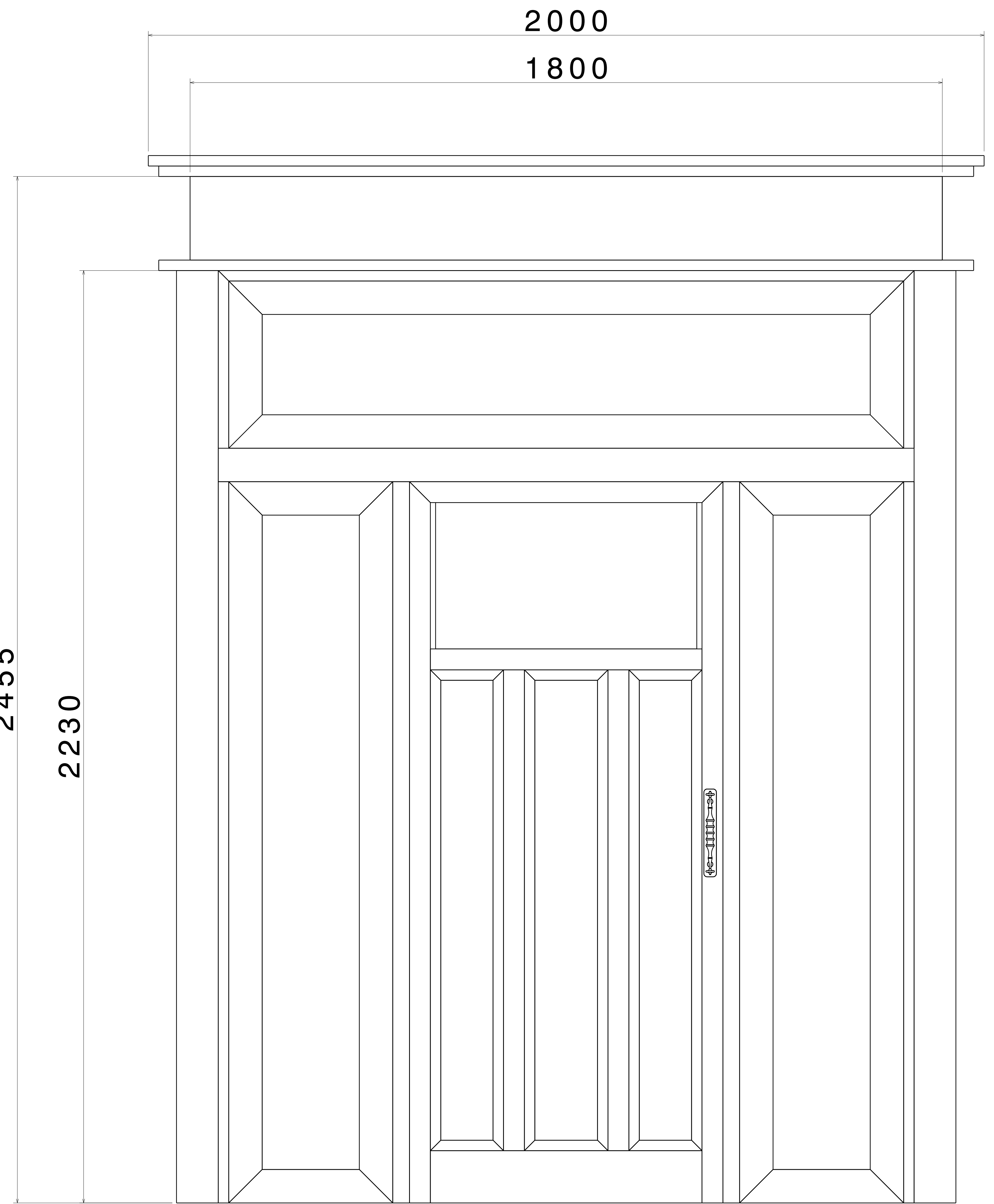
24	HANDLE BOP	-----	1	-----
23	SHS FRAME 8	25 X 25 X 2 X 200	2	0.25
22	SHS FRAME 7	25 X 25 X 2 X 175	4	0.22
21	RHS PLANK 6	125 X 25 X 1.6 X 1100	2	4.06
20	RHS FRAME 9	50 X 25 X 2 X 1150	2	2.57
19	SHS FRAME 6	25 X 25 X 2 X 1150	6	1.63
18	RHS PLANK 5	150 X 25 X 1.6 X 1100	1	4.75
17	RHS PLANK 4	125 X 25 X 1.6 X 650	1	2.4
16	RHS FRAME 8	50 X 25 X 2 X 650	1	1.45
15	RHS FRAME 7	50 X 25 X 2 X 750	1	1.56
14	RHS FRAME 6	50 X 25 X 2 X 1725	2	3.79
13	RHS FRAME 5	80 X 40 X 2.6 X 1725	2	8.09
12	SHS FRAME 5	80 X 80 X 3.2 X 1725	4	12.71
11	SHS FRAME 4	80 X 80 X 3.2 X 392.5	4	2.41
10	RHS FRAME 4	50 X 25 X 2 X 1725	2	3.85
9	SHS FRAME 3	80 X 80 X 3.2 X 1615	2	11.86
8	SHS FRAME 2	80 X 80 X 3.2 X 400	2	2.47
7	RHS FRAME 3	50 X 25 X 2 X 1665	1	3.66
6	RHS FRAME 2	50 X 25 X 2 X 425	2	0.92
5	RHS PLANK 3	200 X 25 X 2 X 2000	1	13.9
4	RHS PLANK 2	200 X 25 X 2 X 1800	2	12.51
3	SHS FRAME 1	150 X 150 X 4 X 200	2	3.67
2	RHS PLANK 1	200 X 25 X 2 X 1950	2	13.55
1	RHS FRAME 1	200 X 100 X 4 X 2230	2	40.94

ITEM NO.	PART NUMBER	DESCRIPTION	QTY.	Wt (Kg) /Each
This drawing is our property. It can't be reproduced or communicated without our written agreement.				
DRAWN BY		DATE	DRAWING TITLE	
VM		25NOV2020	NOV 20 12 DOOR	
CHECKED BY		DATE	SIZE	DRAWING NUMBER
P2P Analysis & Solutions		25NOV2020	A0	P2P NOV 20 12 DOOR
DESIGNED BY		DATE	SCALE	WEIGHT (kg) Okg
P2P Analysis & Solutions		25NOV2020	As Indicated	

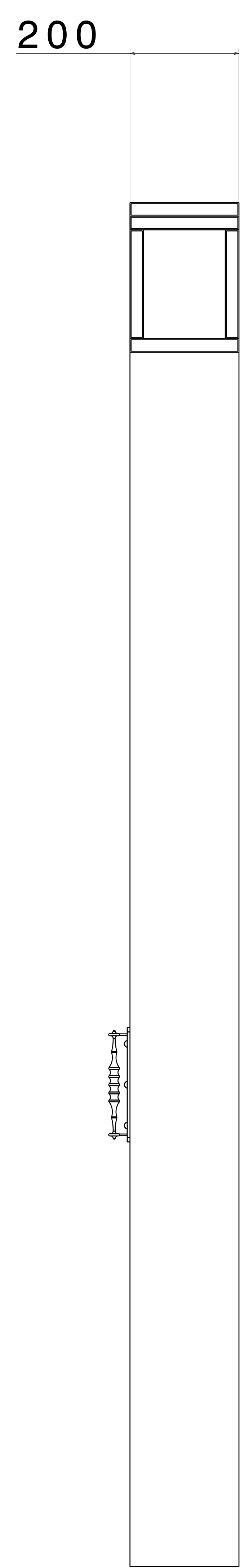
UNLESS OTHERWISE SPECIFIED DIMENSION ARE IN MM
VIEWS: THIRD ANGLE PROJECTION

APL APOLLO TUBES LTD.

REV	DATE	DESCRIPTION
00	25NOV2020	INITIAL REVISION



FRONT VIEW
SCALE : 1:10

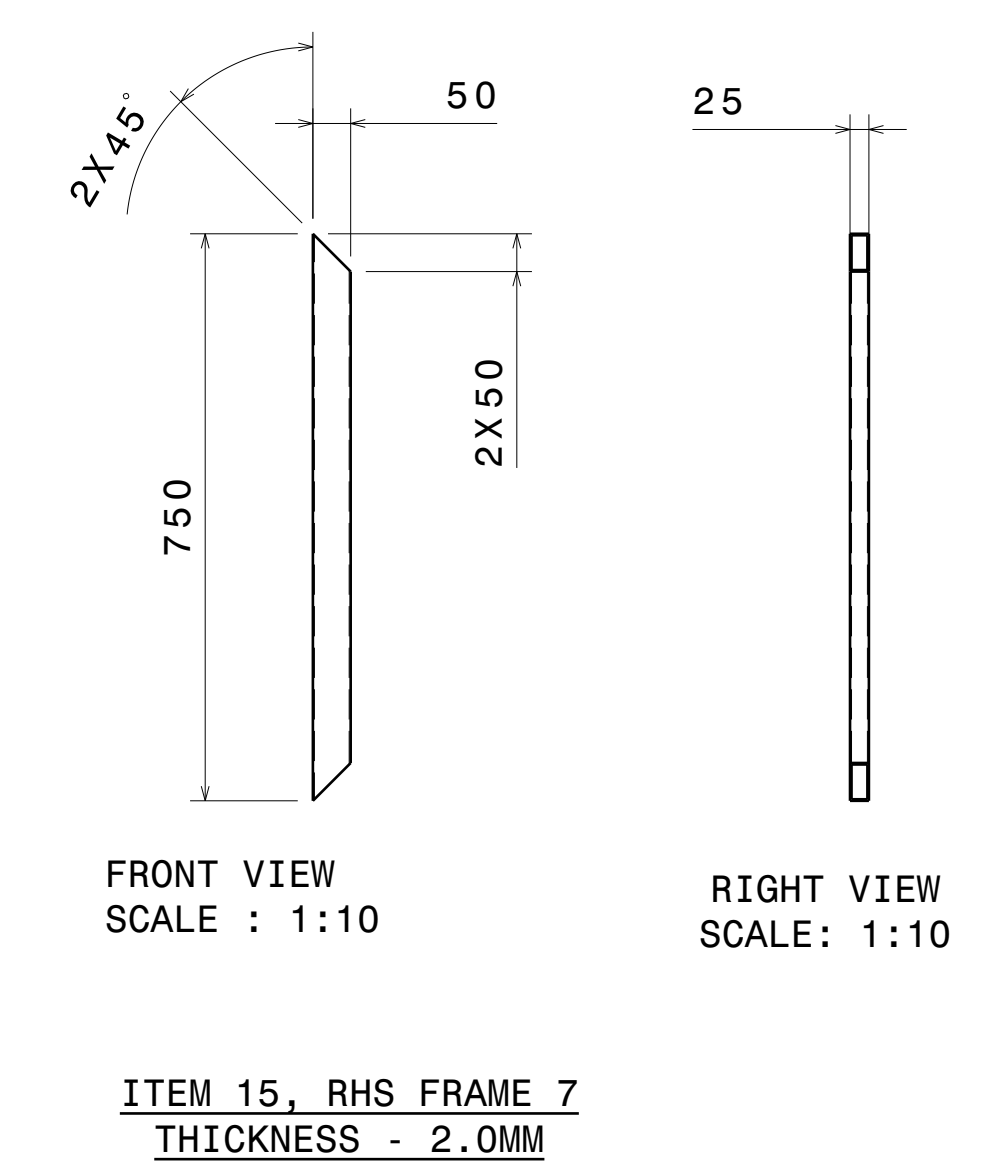
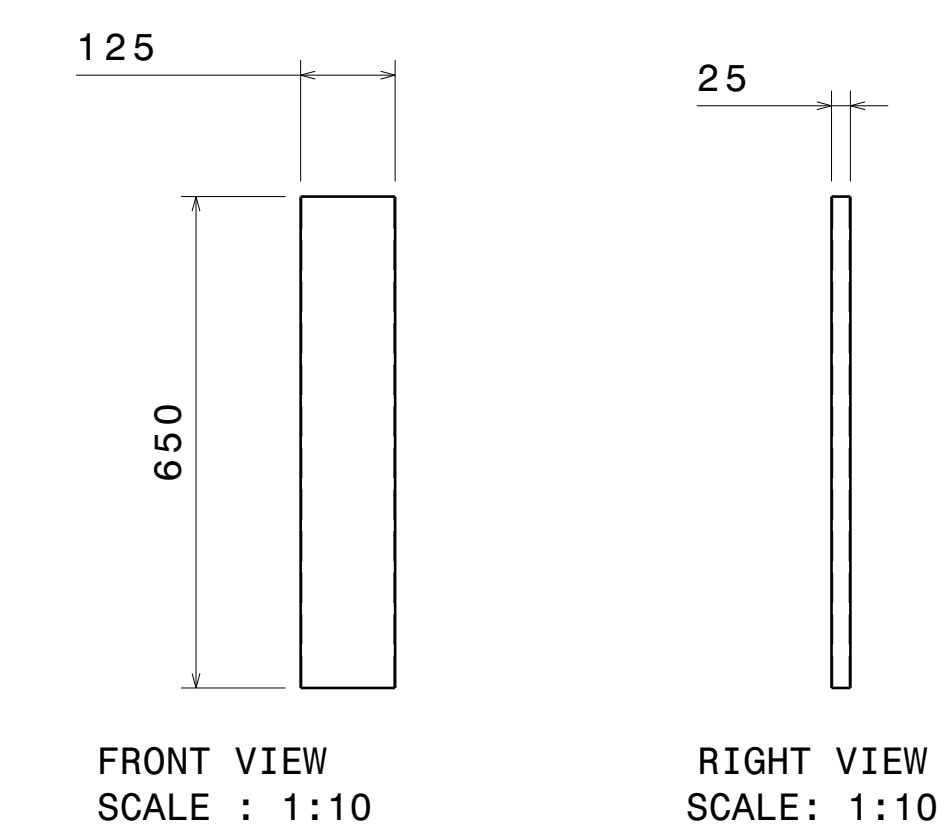
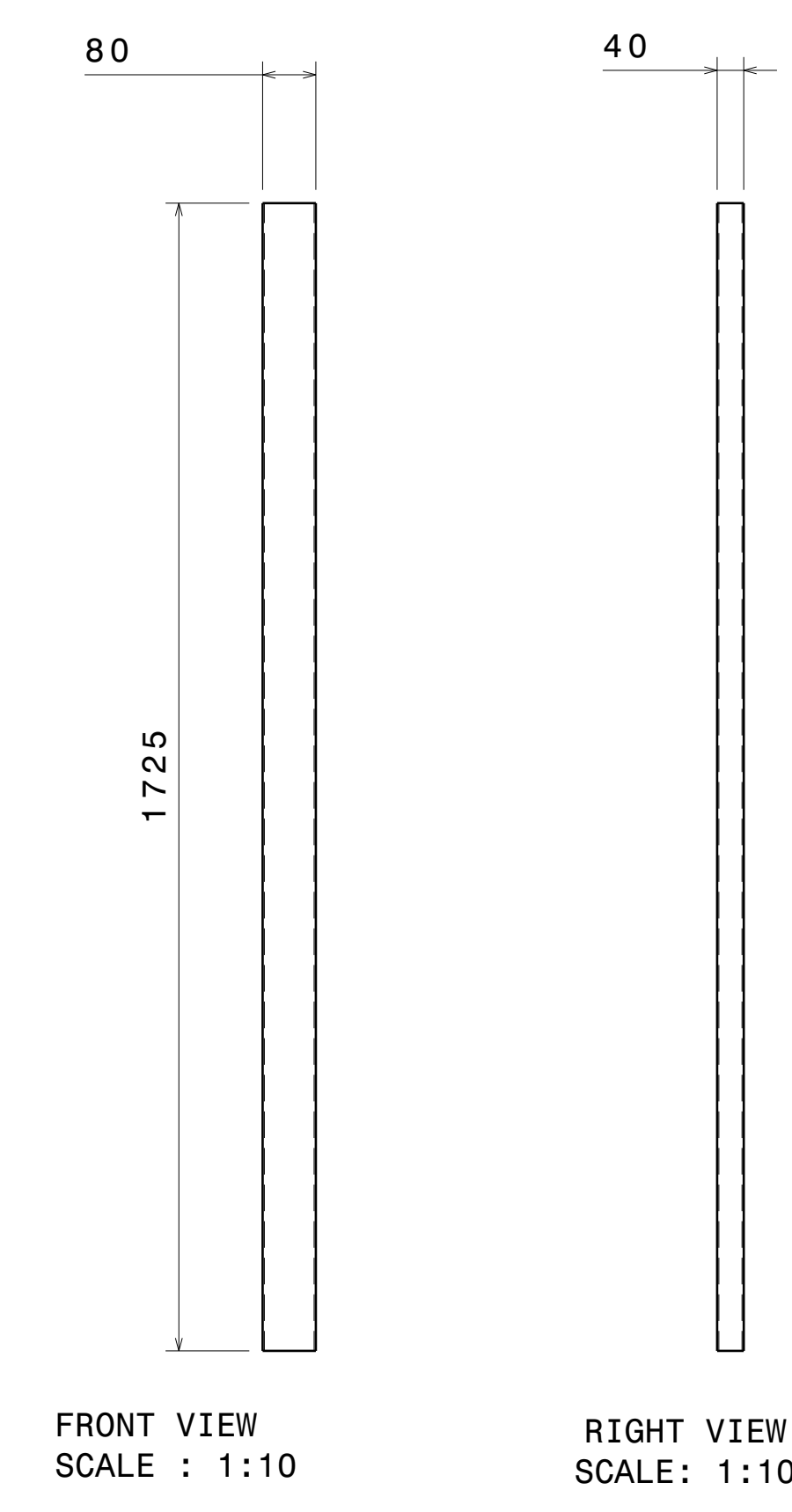
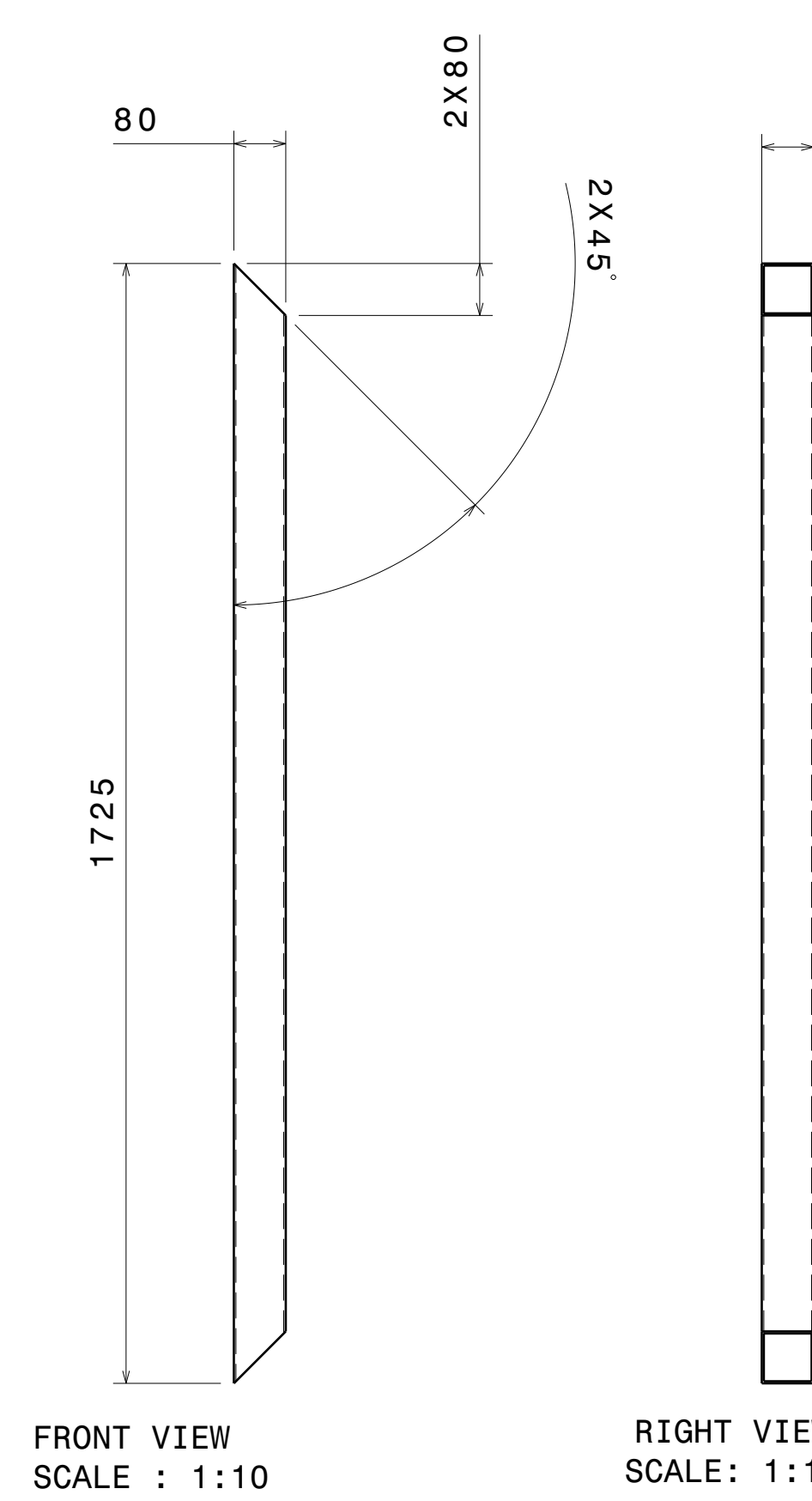
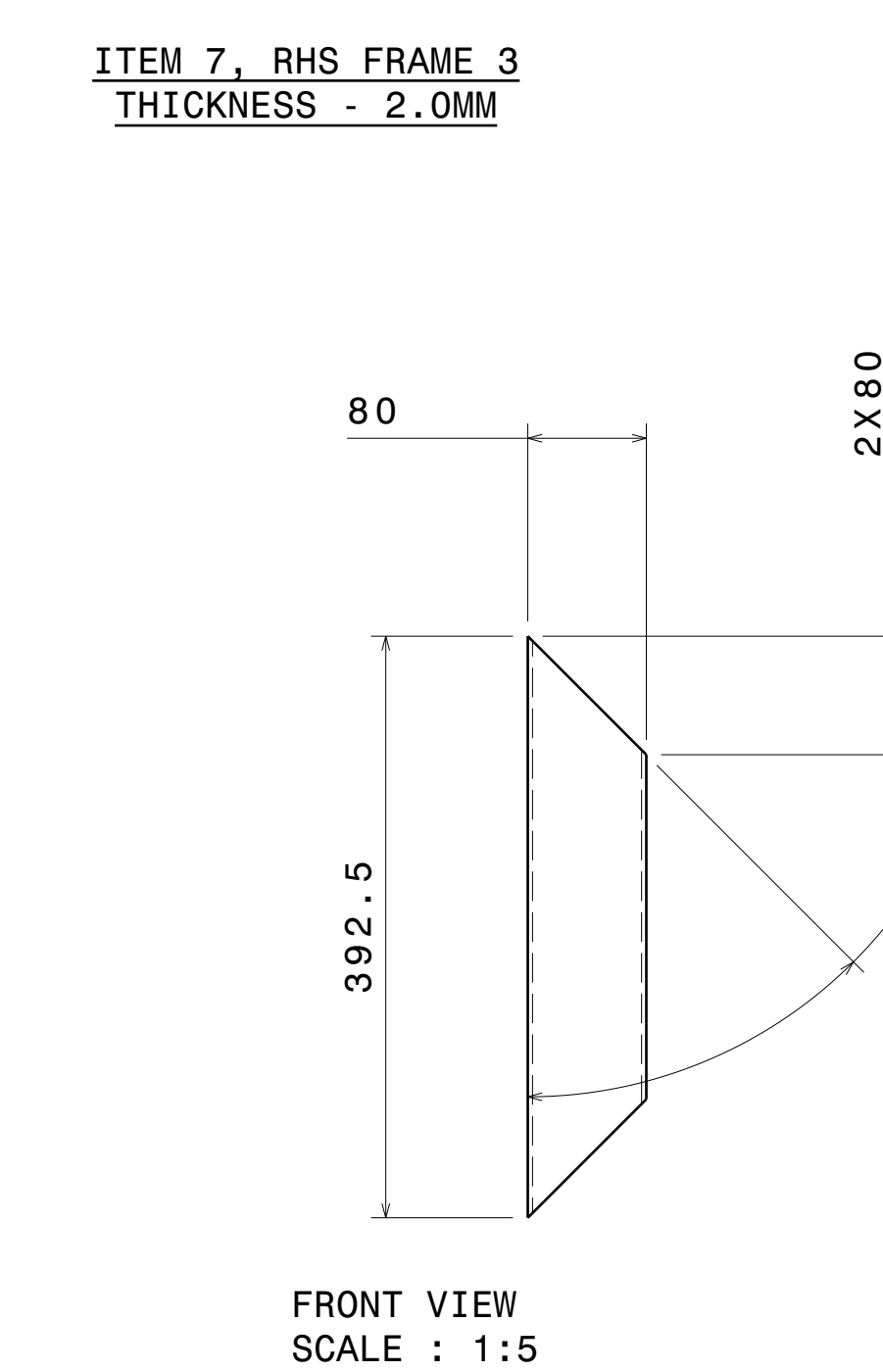
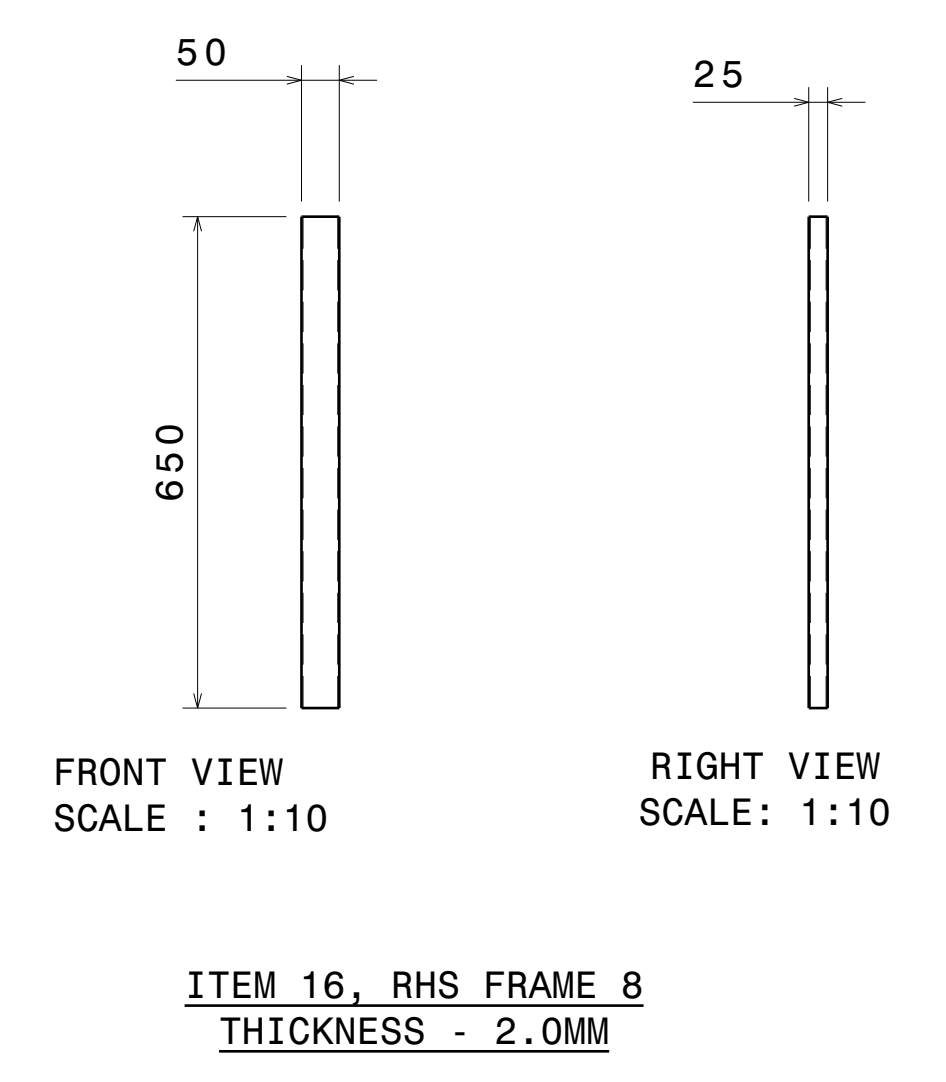
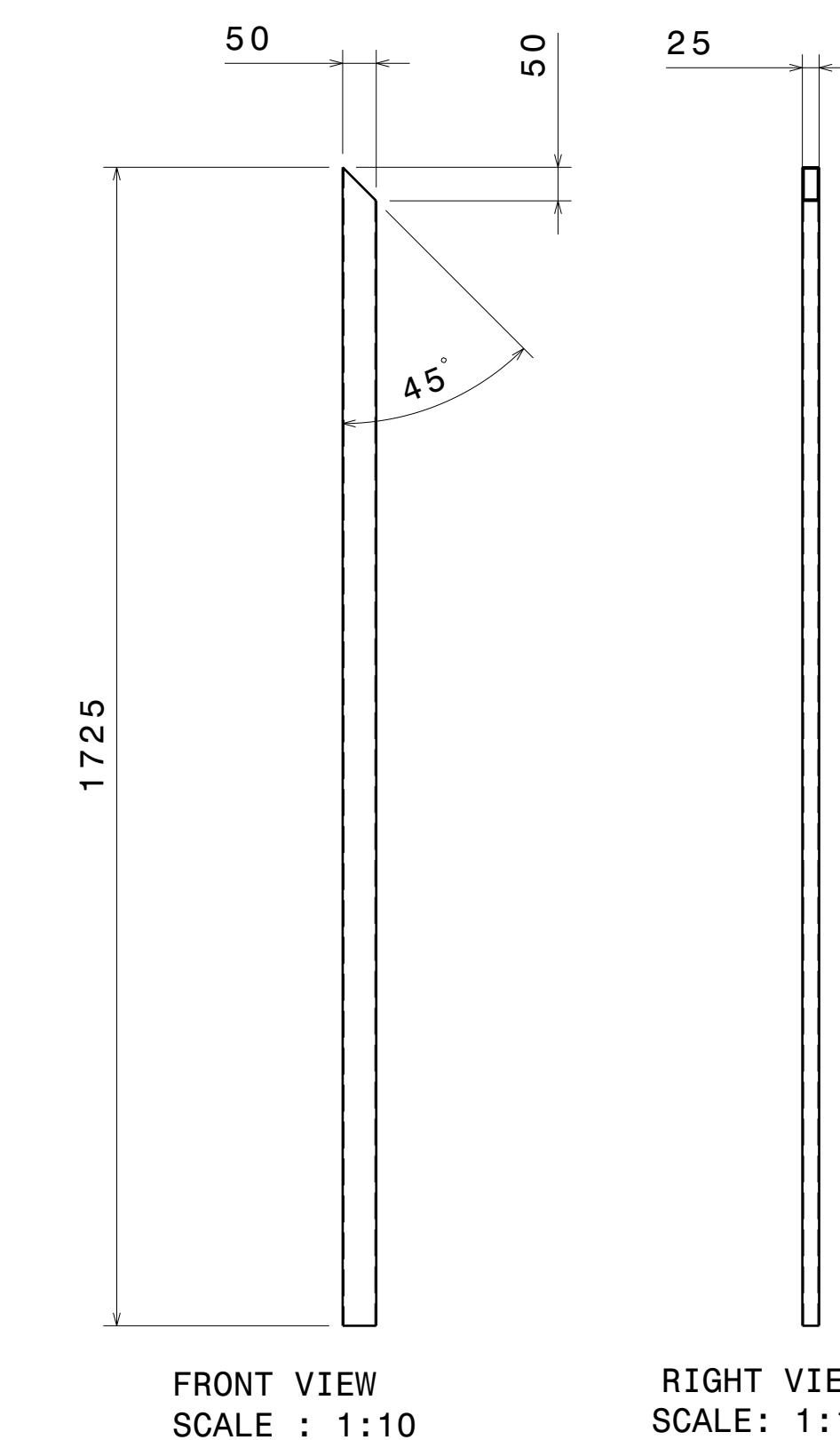
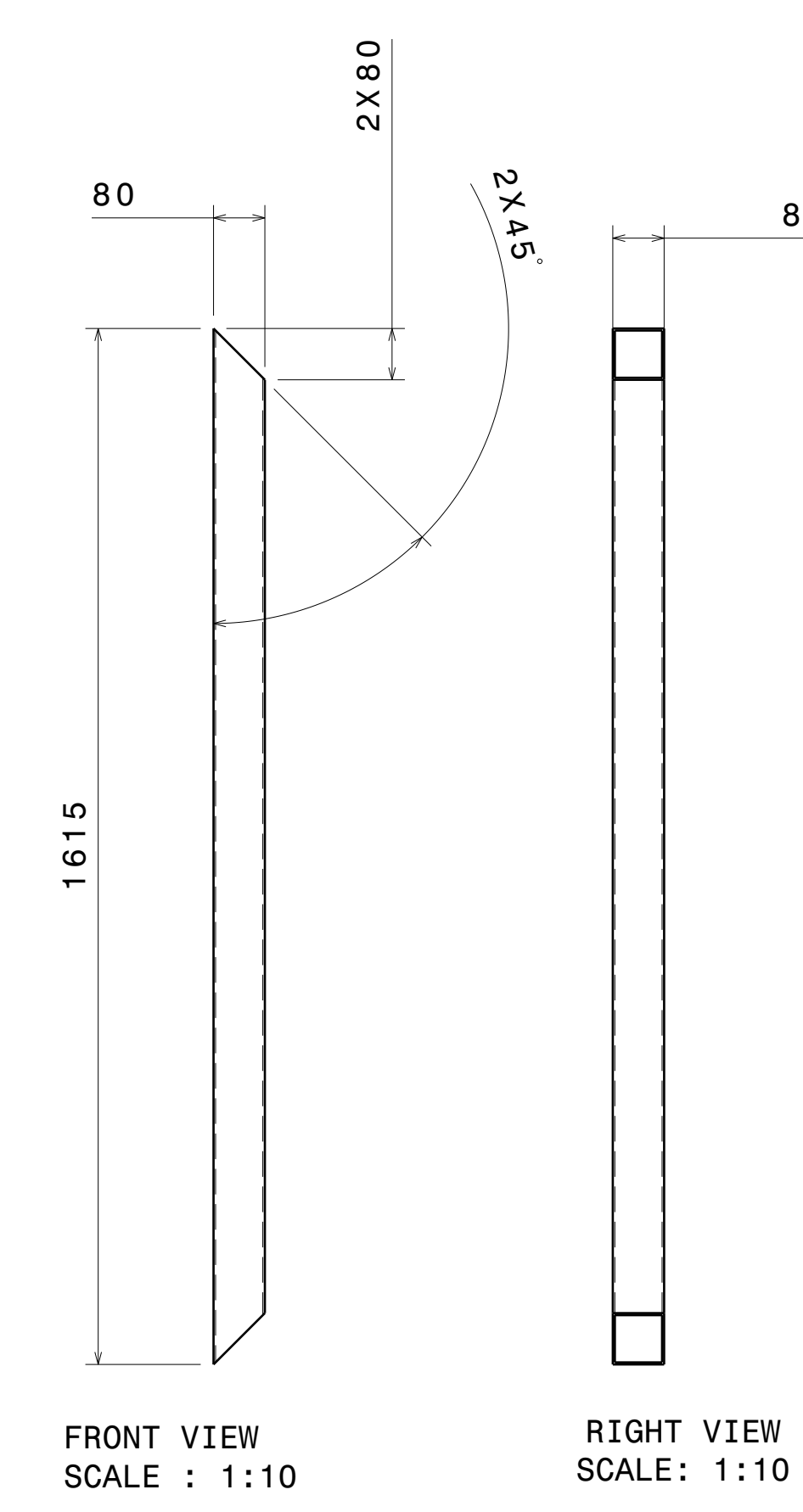
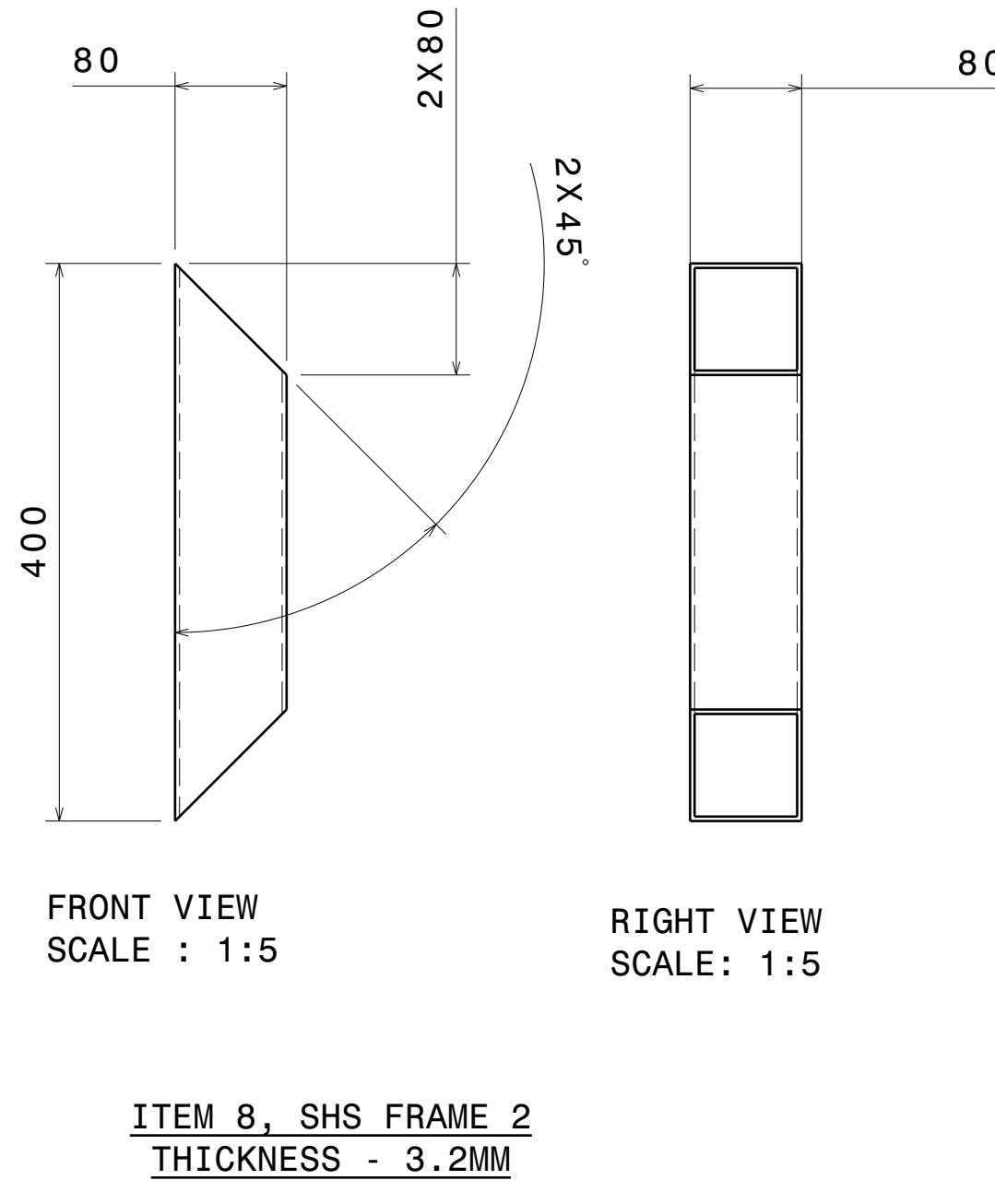
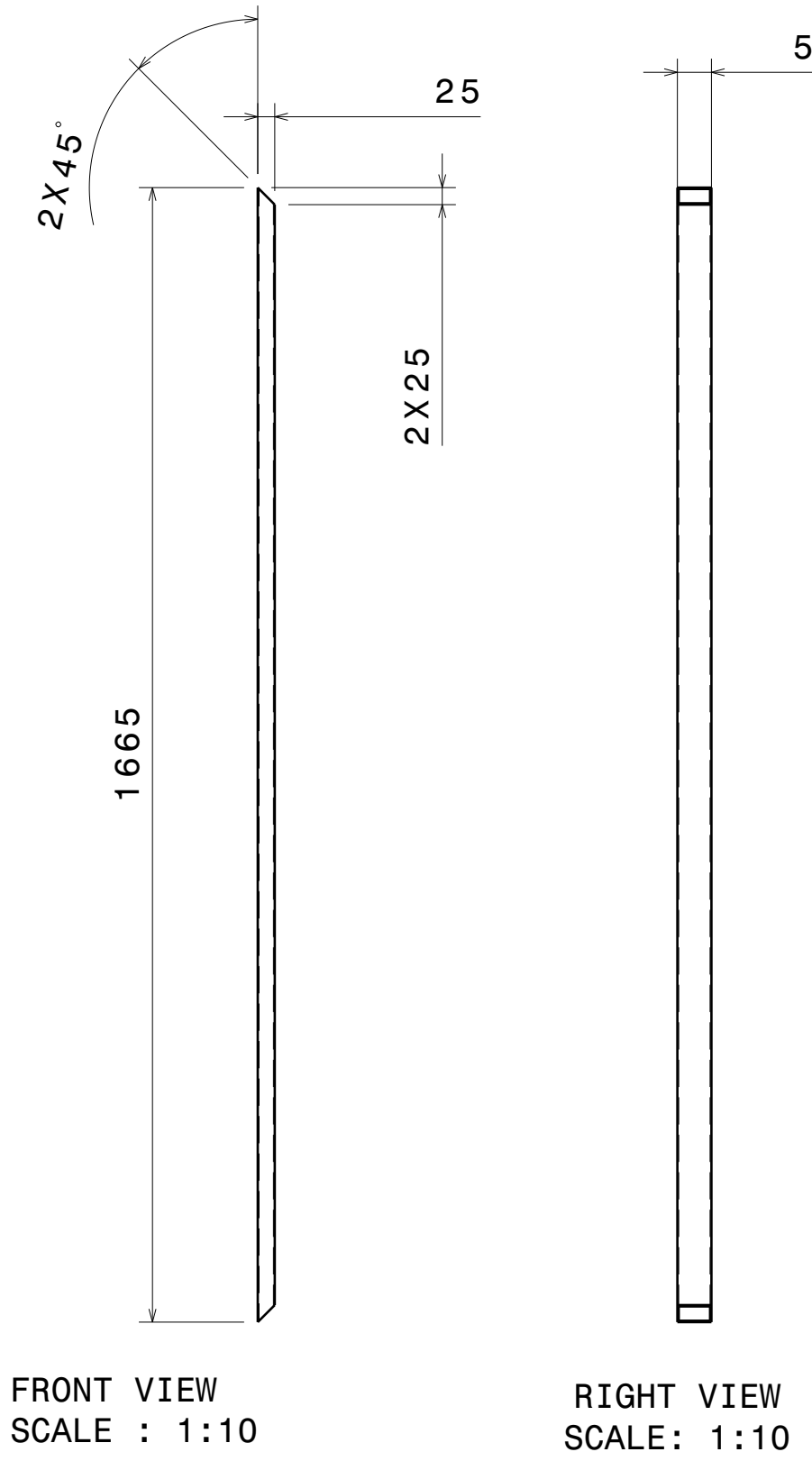
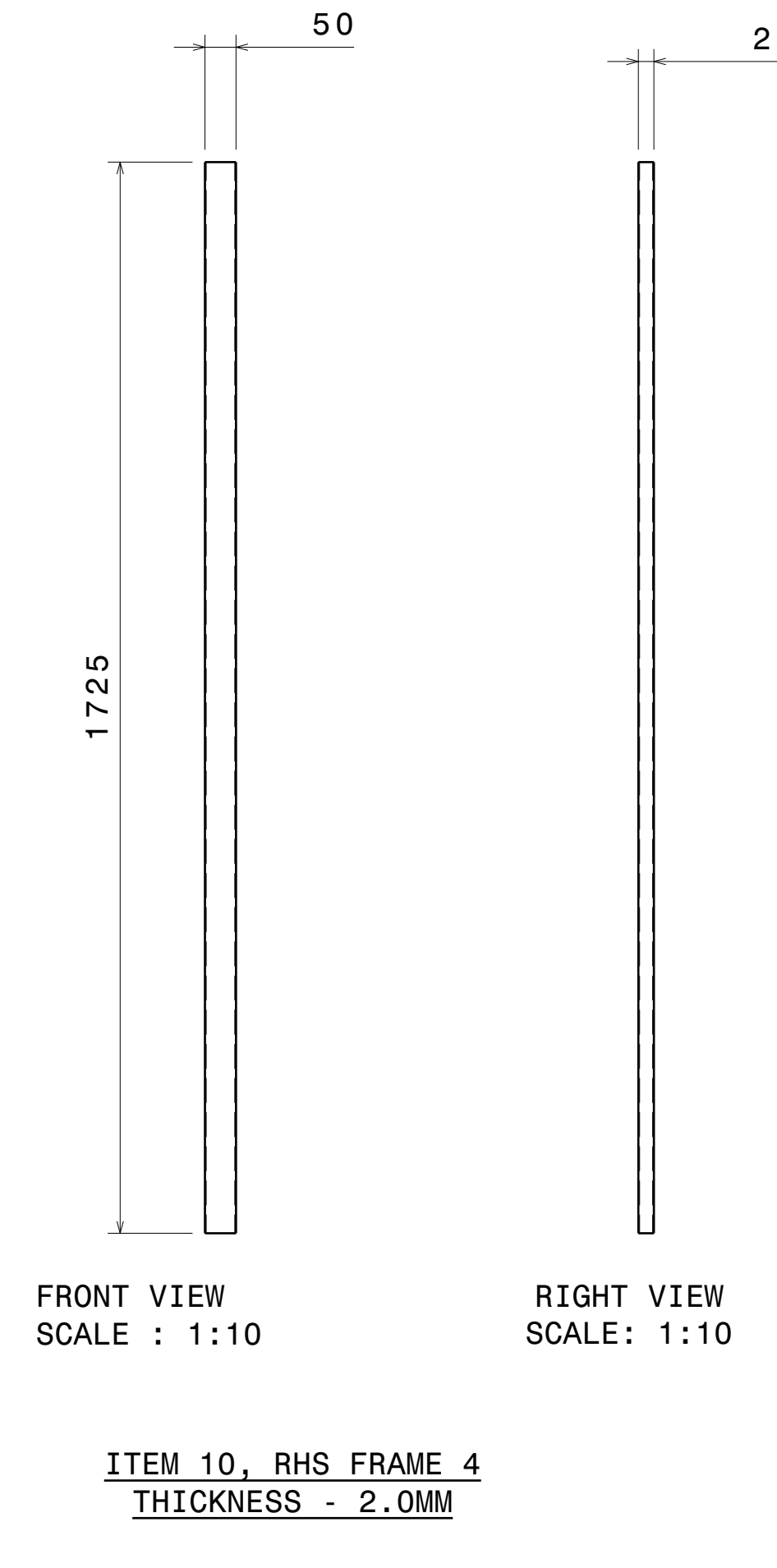
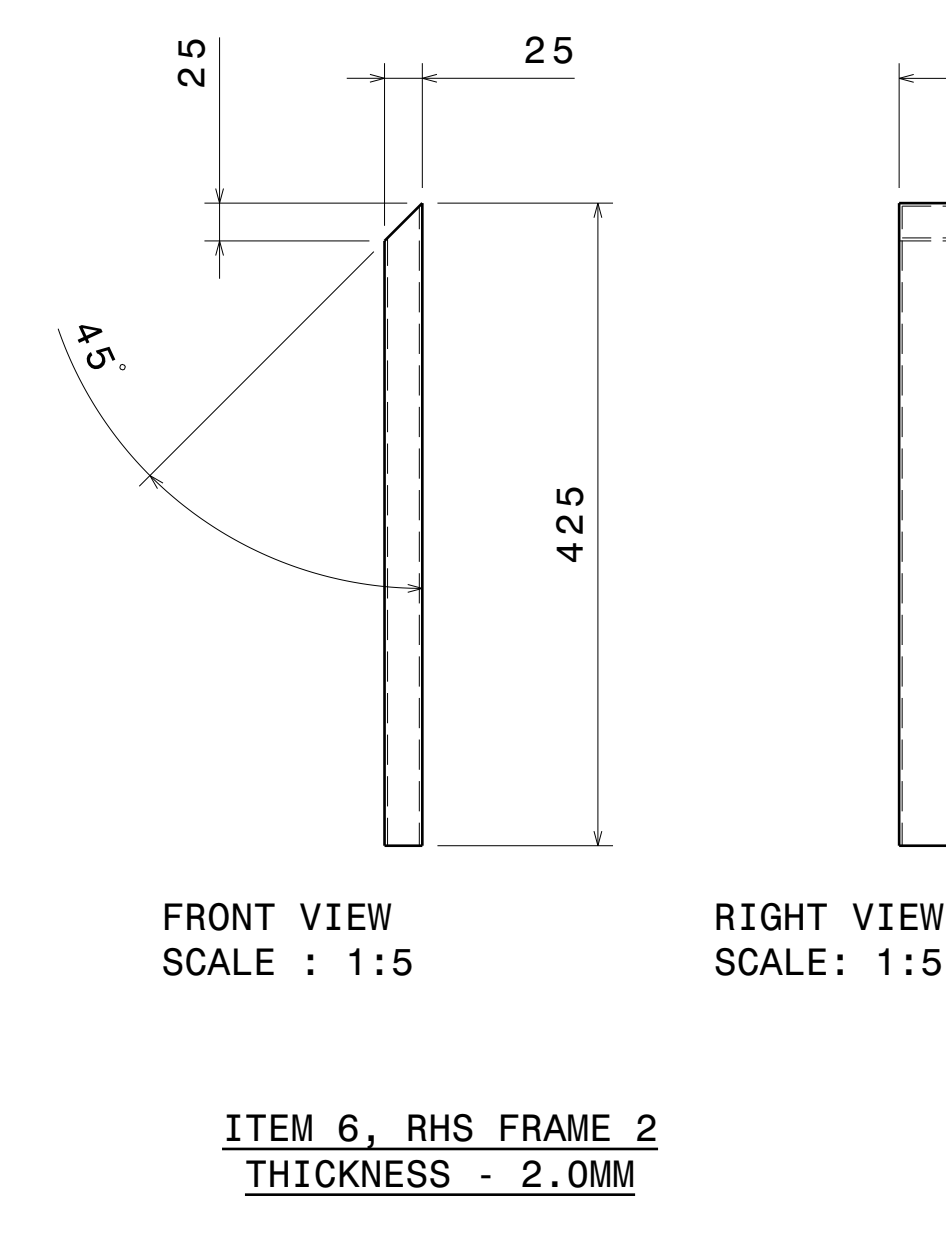
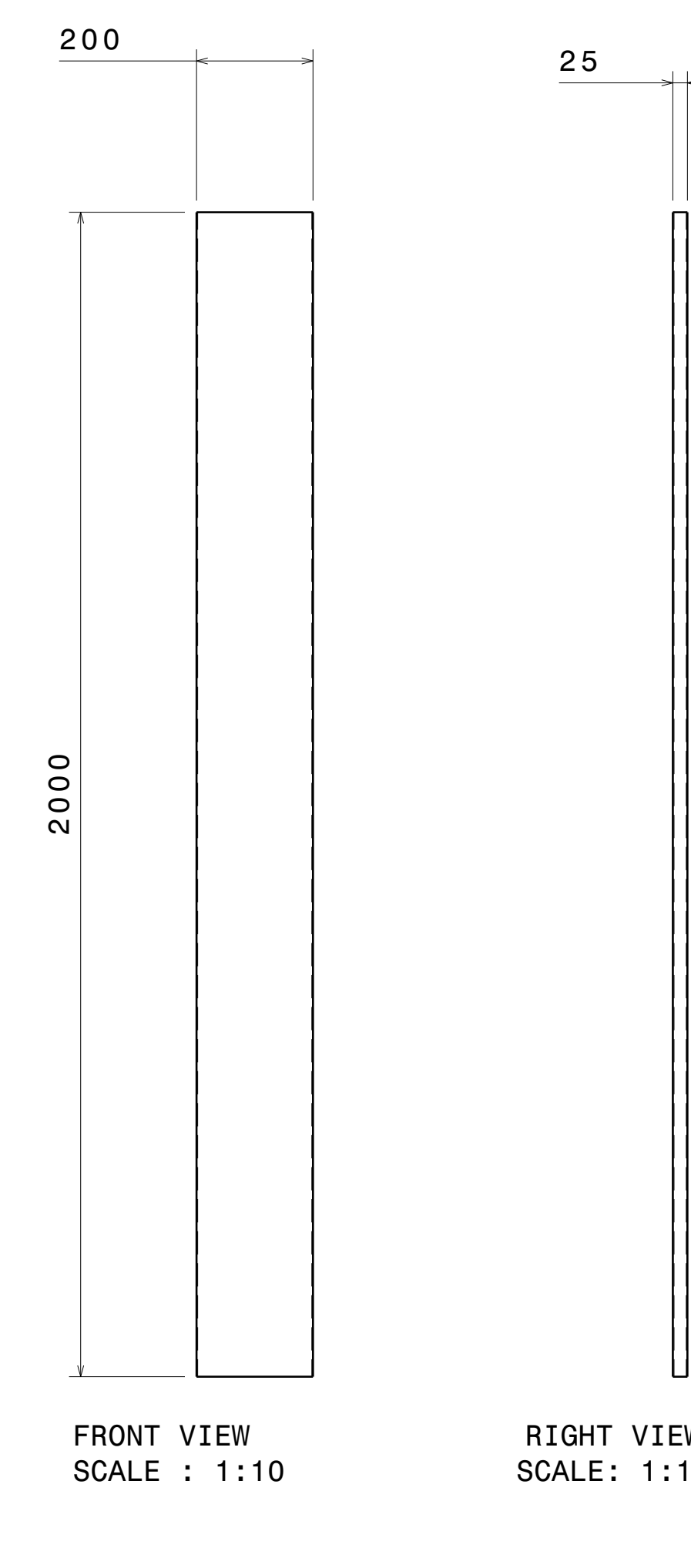
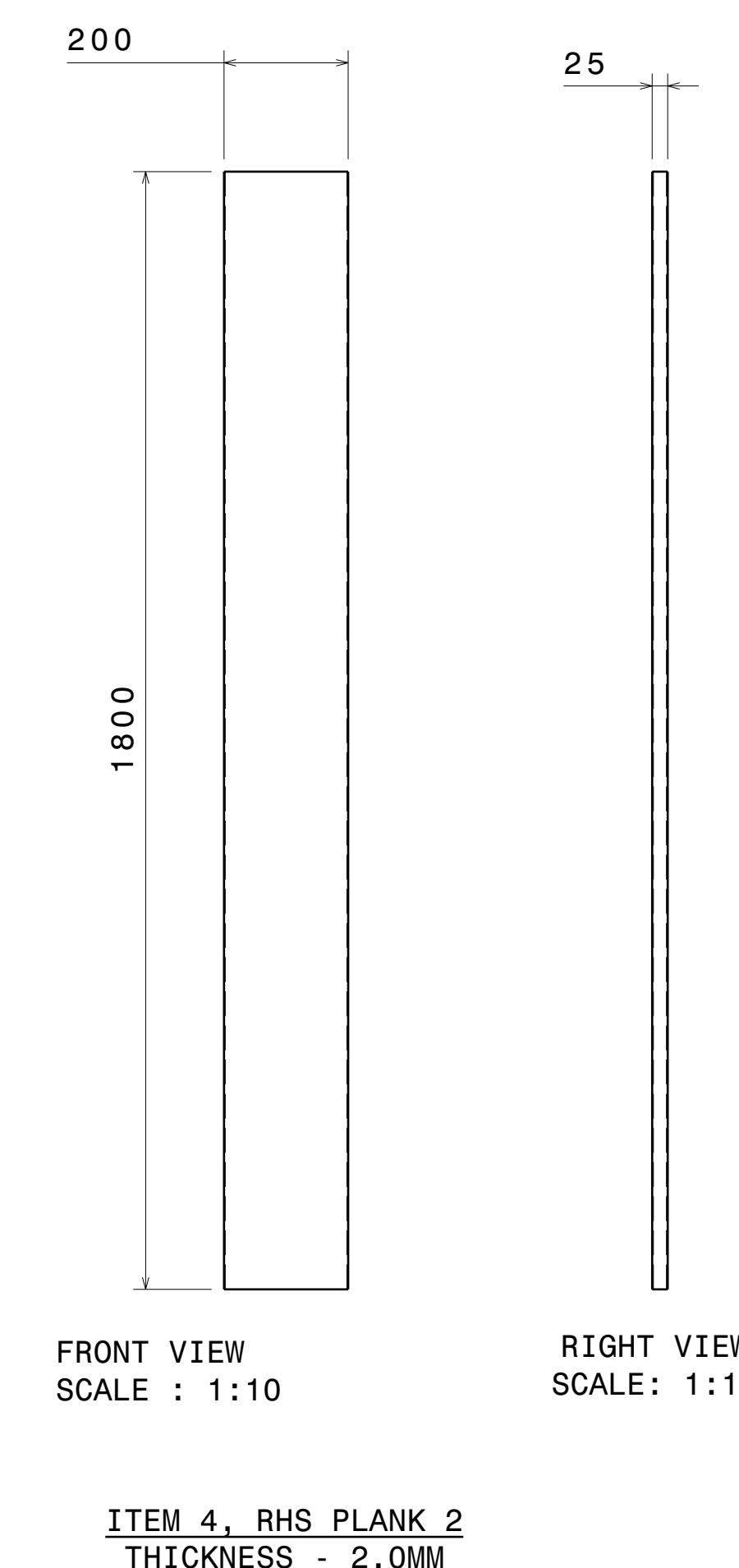
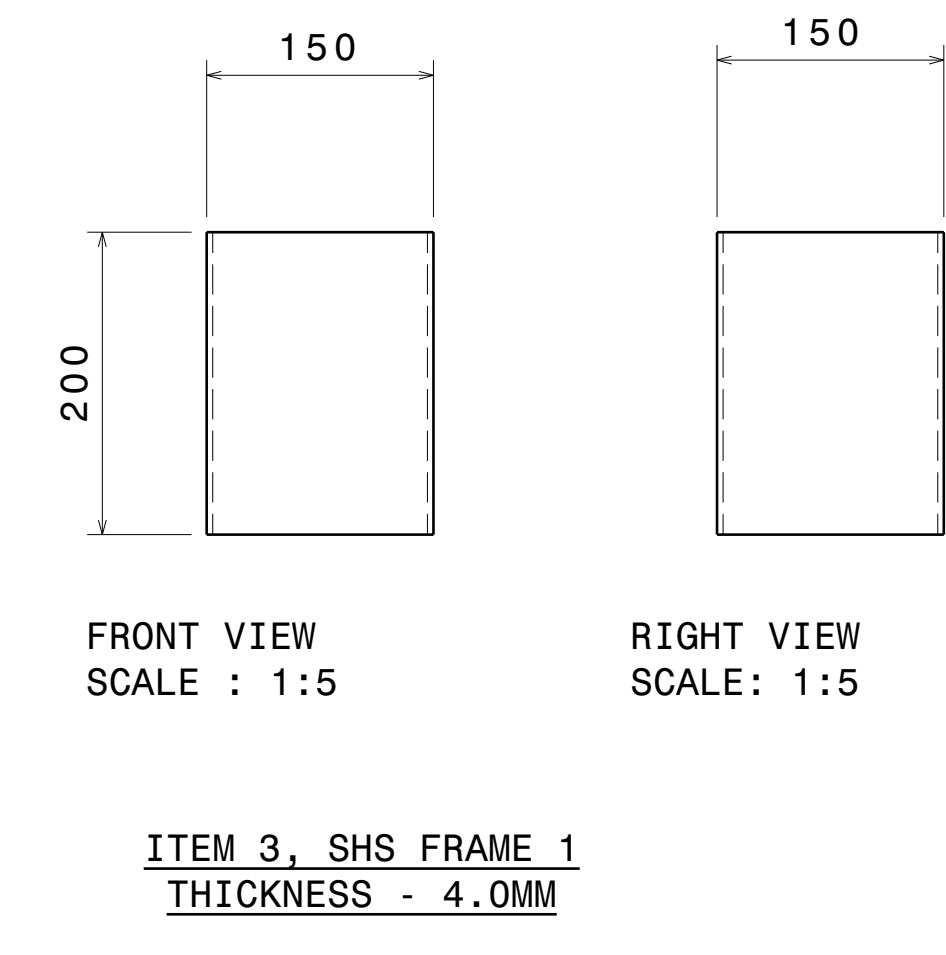
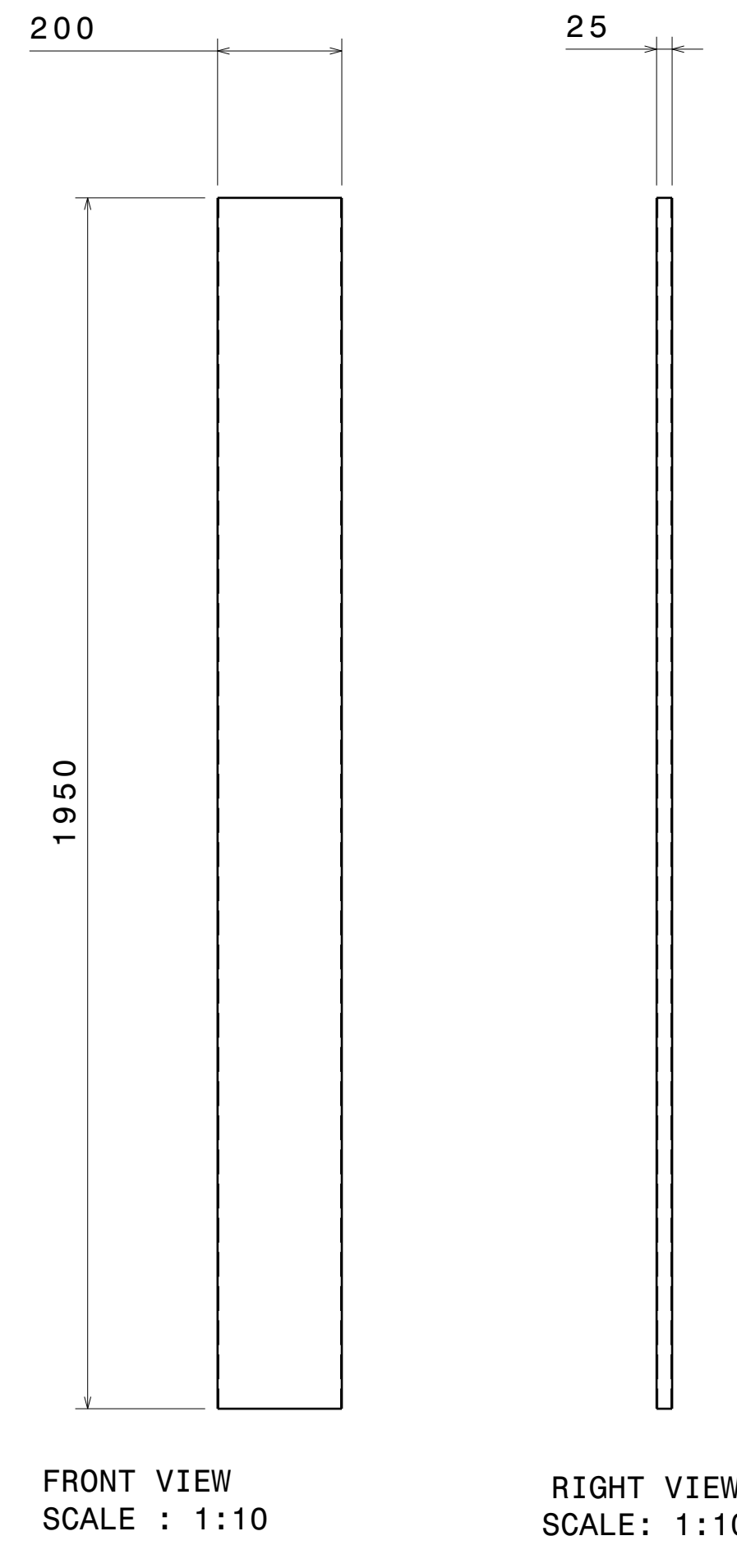
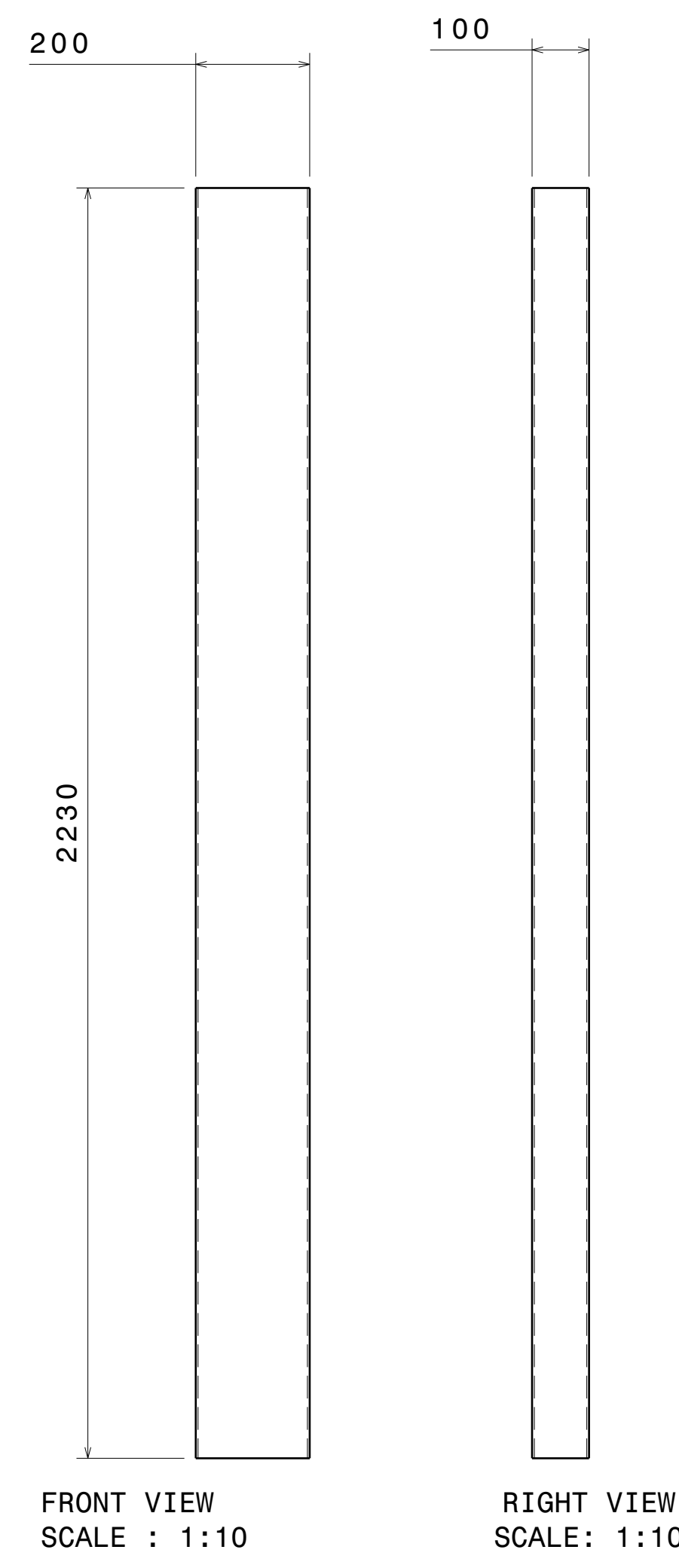


RIGHT VIEW
SCALE: 1:10

UNLESS OTHERWISE SPECIFIED DIMENSION ARE IN MM
VIEWS: THIRD ANGLE PROJECTION

This drawing is our property. It can't be reproduced or communicated without our written agreement.		APL APOLLO TUBES LTD.	
DRAWN BY SB		DATE 25NOV2020	
CHECKED BY P2P Analysis & Solutions		DATE 25NOV2020	
DESIGNED BY P2P Analysis & Solutions		DATE 25NOV2020	
SIZE A0	DRAWING NUMBER P2P NOV 20 12 DOOR		REV 00
SCALE NONE	WEIGHT (kg)	XXX	SHEET 2 OF 3

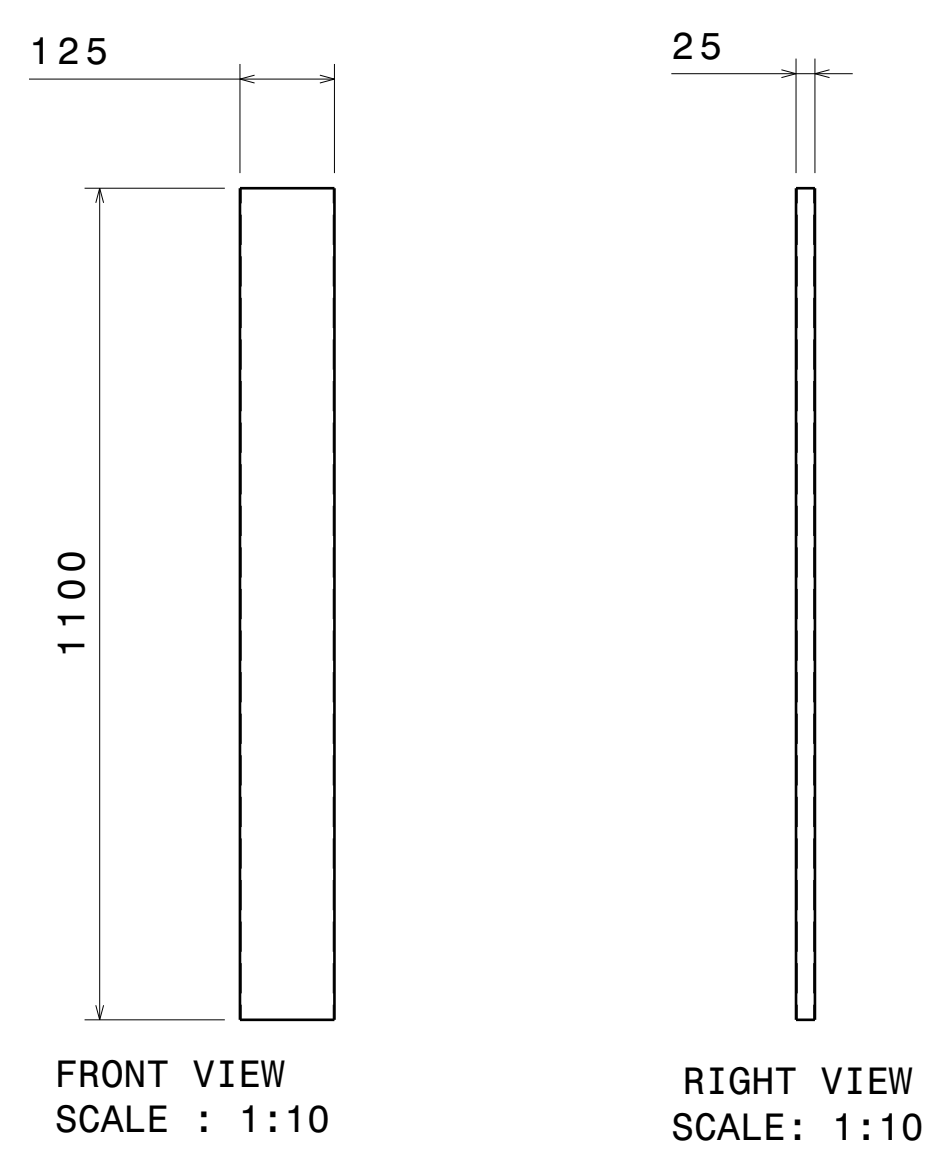
REV	DATE	DESCRIPTION
00	25NOV2020	INITIAL REVISION



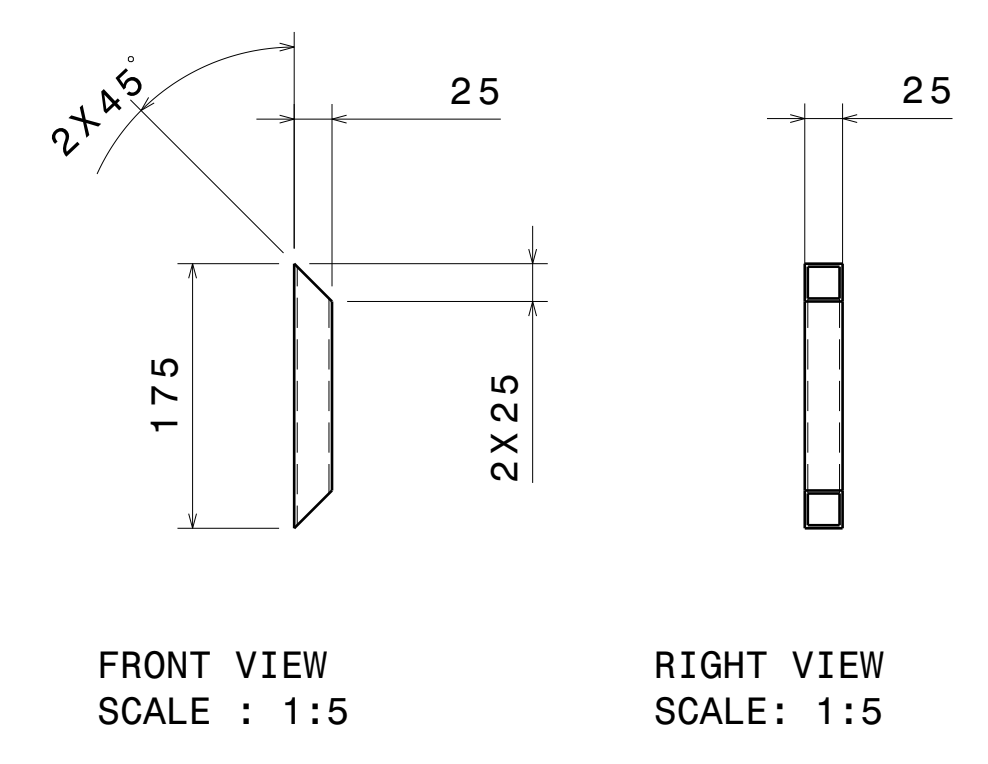
UNLESS OTHERWISE SPECIFIED DIMENSION ARE IN MM
VIEWS: THIRD ANGLE PROJECTION

This drawing is our property. It can't be reproduced or communicated without our written agreement.		APL APOLLO TUBES LTD.	
DRAWN BY SB		DATE 25NOV2020	
CHECKED BY P2P Analysis & Solutions		DATE 25NOV2020	
DESIGNED BY P2P Analysis & Solutions		DATE 25NOV2020	
DRAWING TITLE NOV 20 12 DOOR			
SIZE A0	DRAWING NUMBER P2P NOV 20 12 DOOR		REV 00
SCALE NONE	WEIGHT (kg) XXX	SHEET 3 OF 3	

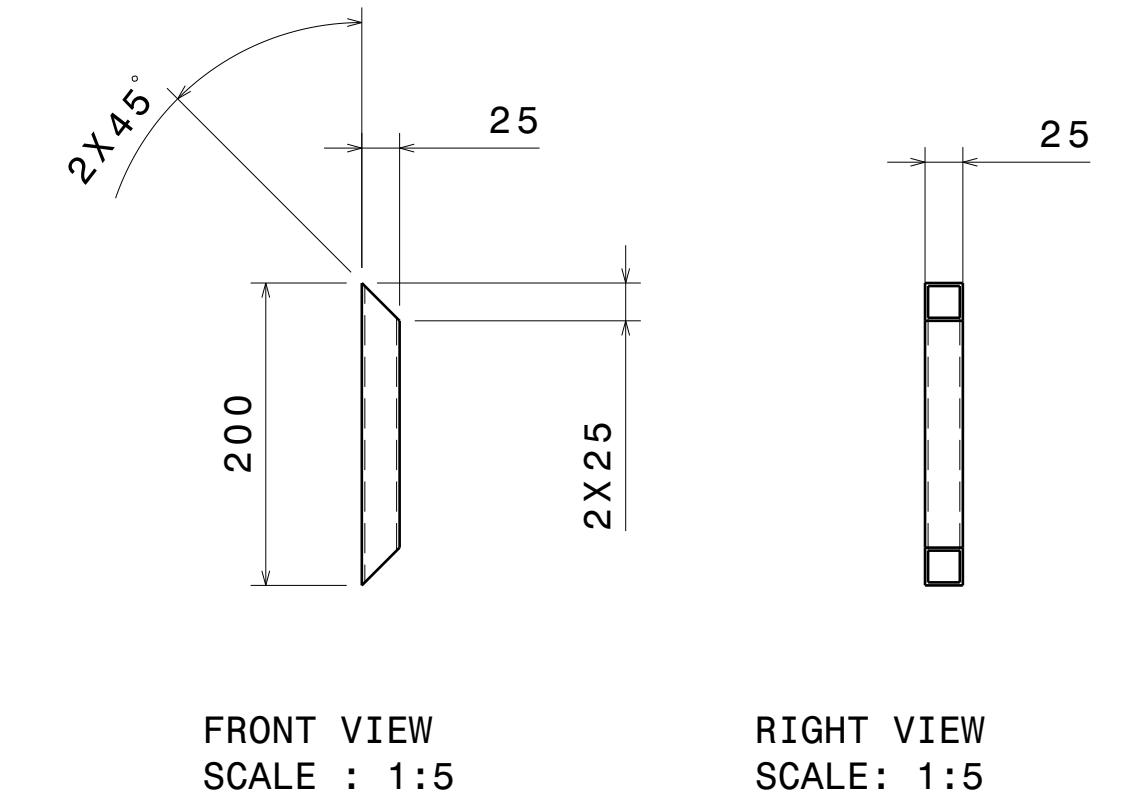
REV	DATE	DESCRIPTION
00	25NOV2020	INITIAL REVISION



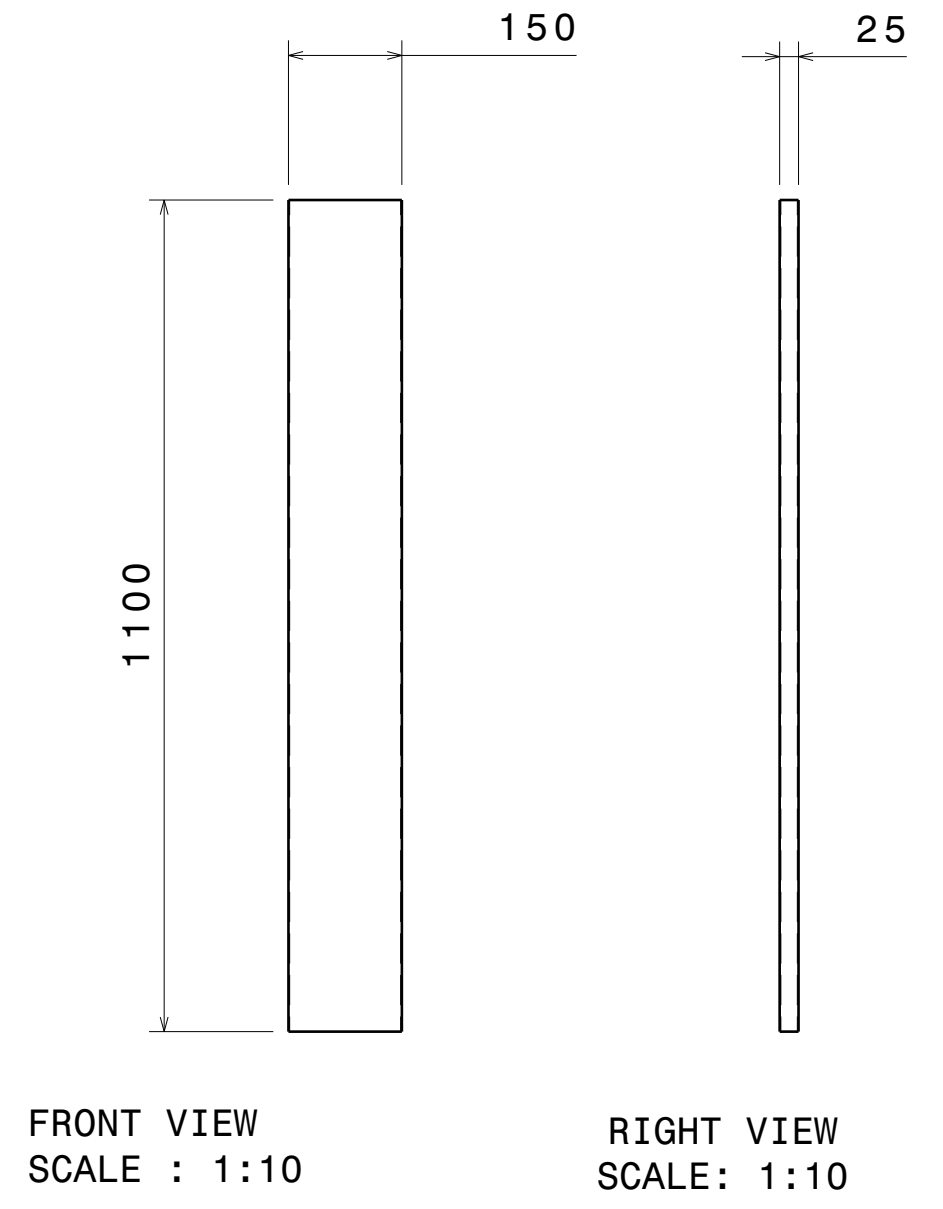
ITEM 21, RHS PLANK 6
THICKNESS - 1.6MM



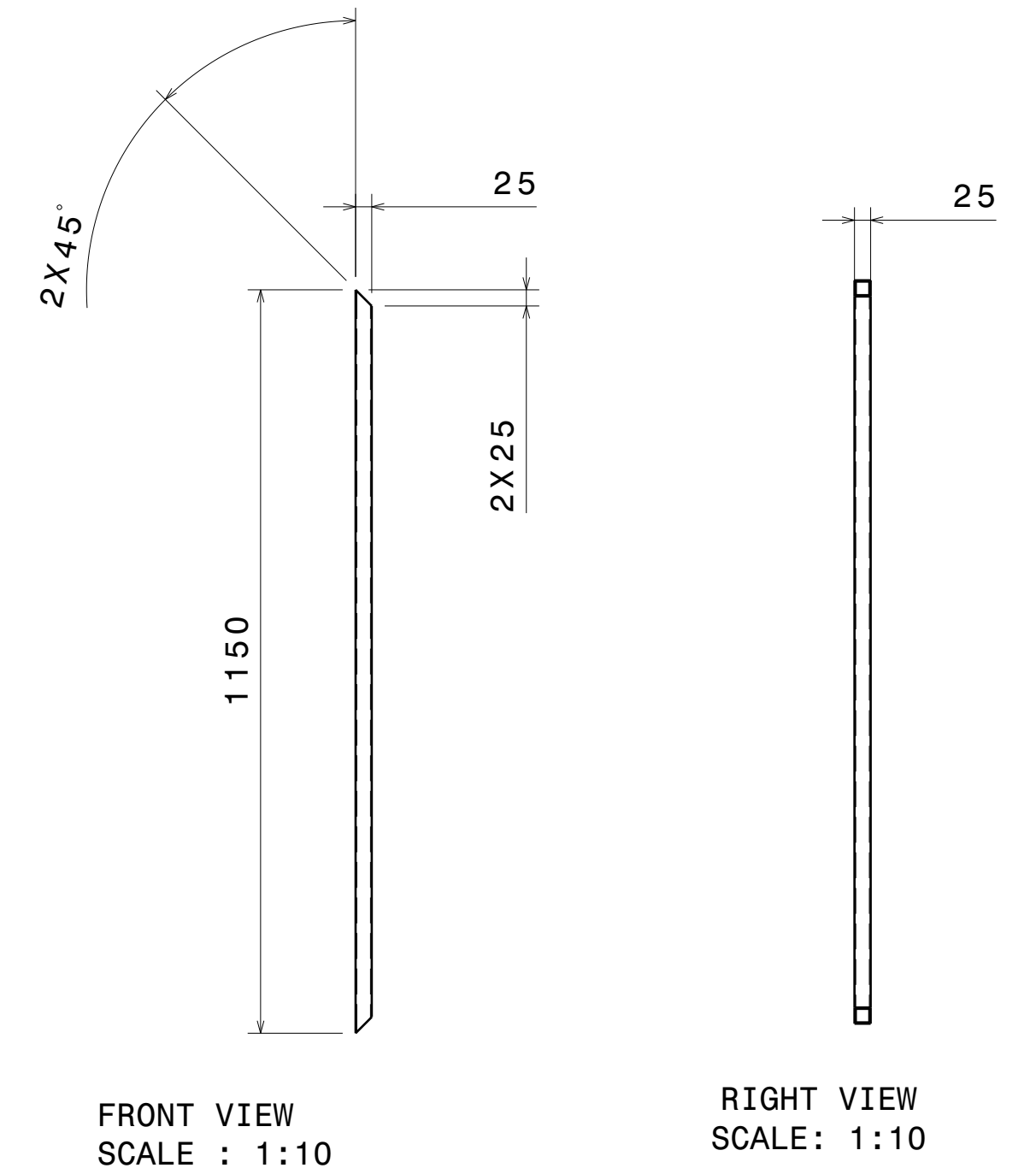
ITEM 22, SHS FRAME 7
THICKNESS - 2.0MM



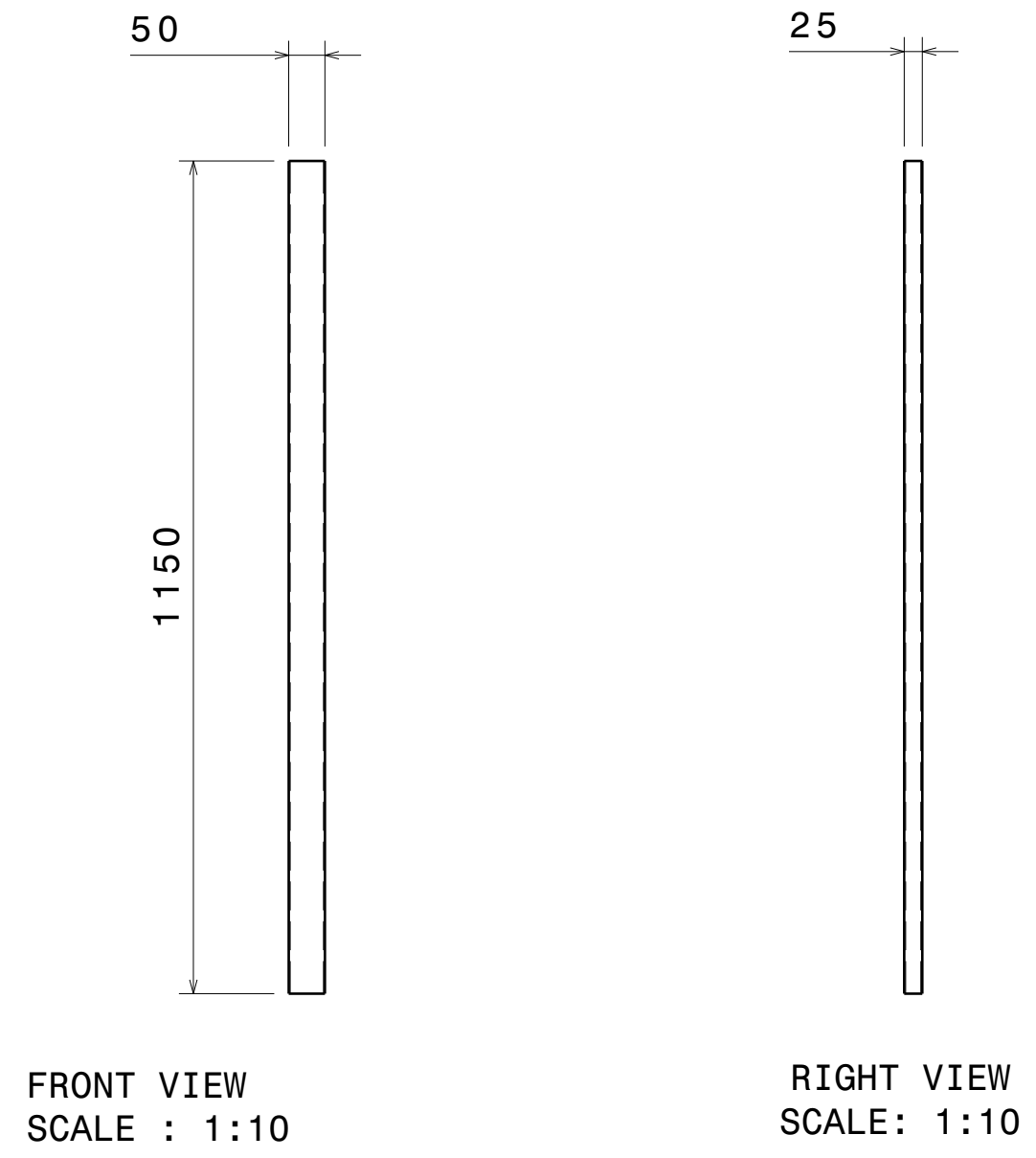
ITEM 23, SHS FRAME 8
THICKNESS - 2.0MM



ITEM 18, RHS PLANK 5
THICKNESS - 1.6MM



ITEM 19, SHS FRAME 6
THICKNESS - 2.0MM



ITEM 20, RHS FRAME 9
THICKNESS - 2.0MM

UNLESS OTHERWISE SPECIFIED DIMENSION ARE IN MM
VIEWS: THIRD ANGLE PROJECTION

This drawing is our property. It can't be reproduced or communicated without our written agreement.		APL APOLLO TUBES LTD.	
DRAWN BY VM		DATE 25NOV2020	
CHECKED BY P2P Analysis & Solutions		DATE 25NOV2020	
DESIGNED BY P2P Analysis & Solutions		DATE 25NOV2020	
SIZE A0	DRAWING NUMBER P2P NOV 20 12 DOOR	REV 00	
SCALE As Indicated	WEIGHT (kg) 0kg	SHEET 1 OF 3	