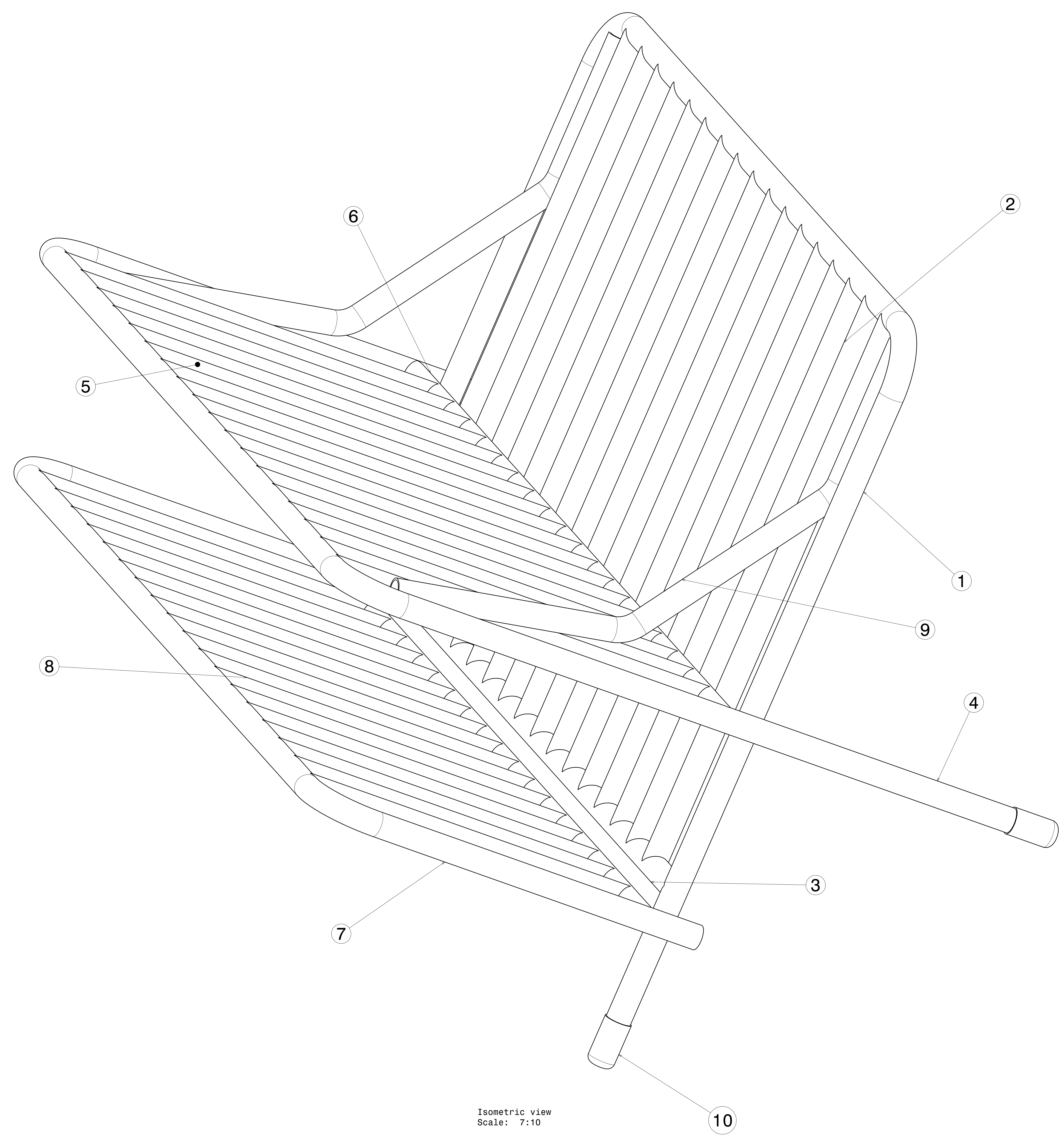


REV/DATE	DESCRIPTION
00 / 11NOV2020	INITIAL REVISION


- NOTES:
- (⊥) ALL VERTICAL SUPPORTS ARE PERPENDICULAR.
 - FLATNESS OF .5MM IS APPLIED BY DEFAULT.
 - ⊲ WELD BEAD OF 2MM RADIUS IS FOLLOWED.
 - ▽ SURFACE FINISH MEDIUM TO SMOOTH IS USED.
 - ALL TUBES ARE AS PER APL APOLLO STANDARD. CHANGES MAY EFFECT THE LOAD CAPACITY.
 - ALL HORIZONTAL AND VERTICAL TUBES ARE PERPENDICULAR TO EACH OTHER WITH ±1 DEG.
 - FINE WELDING IS REQUIRED AS PER MENTIONED DETAILS AND FINISHING.
 - HIGHER CURRENT WELDING MAY AFFECT THE BRITTLENESS OF MATERIAL WHICH LATER MAY RAISE TO WEAKENING OF STRUCTURE.
 - FABRICATORS ARE ALLOWED TO USE FITTINGS/FRAMES/SUPPORTS AS NEEDED AND THE SAME MUST BE COMMUNICATED BACK TO ENGINEERING TEAM.
 - BOP COMPONENT WEIGHTS ARE FOR REFERENCE ONLY AND SUBJECTED TO CHANGE PER PURCHASED COMPONENTS.



Isometric view
Scale: 7:10

ITEM NO.	PART NUMBER	DESCRIPTION	QTY.	Wt (kg)/Each
10	CAP - BOP	----	4	----
9	ROUND TUBE 9	DIA 21.3 X 1.6 X 640	2	0.50
8	ROUND TUBE 8	DIA 21.3 X 1.6 X 300	18	0.23
7	ROUND TUBE 7	DIA 21.3 X 1.6 X 1640	1	1.24
6	ROUND TUBE 6	DIA 21.3 X 1.6 X 940	2	0.72
5	ROUND TUBE 5	DIA 21.3 X 1.6 X 350	18	0.26
4	ROUND TUBE 4	DIA 21.3 X 1.6 X 2240	1	1.71
3	ROUND TUBE 3	DIA 21.3 X 1.6 X 900	1	0.69
2	ROUND TUBE 2	DIA 21.3 X 1.6 X 500	17	0.38
1	ROUND TUBE 1	DIA 21.3 X 1.6 X 2200	1	1.68

This drawing is our property. It can't be reproduced or communicated without our written agreement.

APL APOLLO TUBES LTD. 

DRAWING TITLE: NOV 20 13

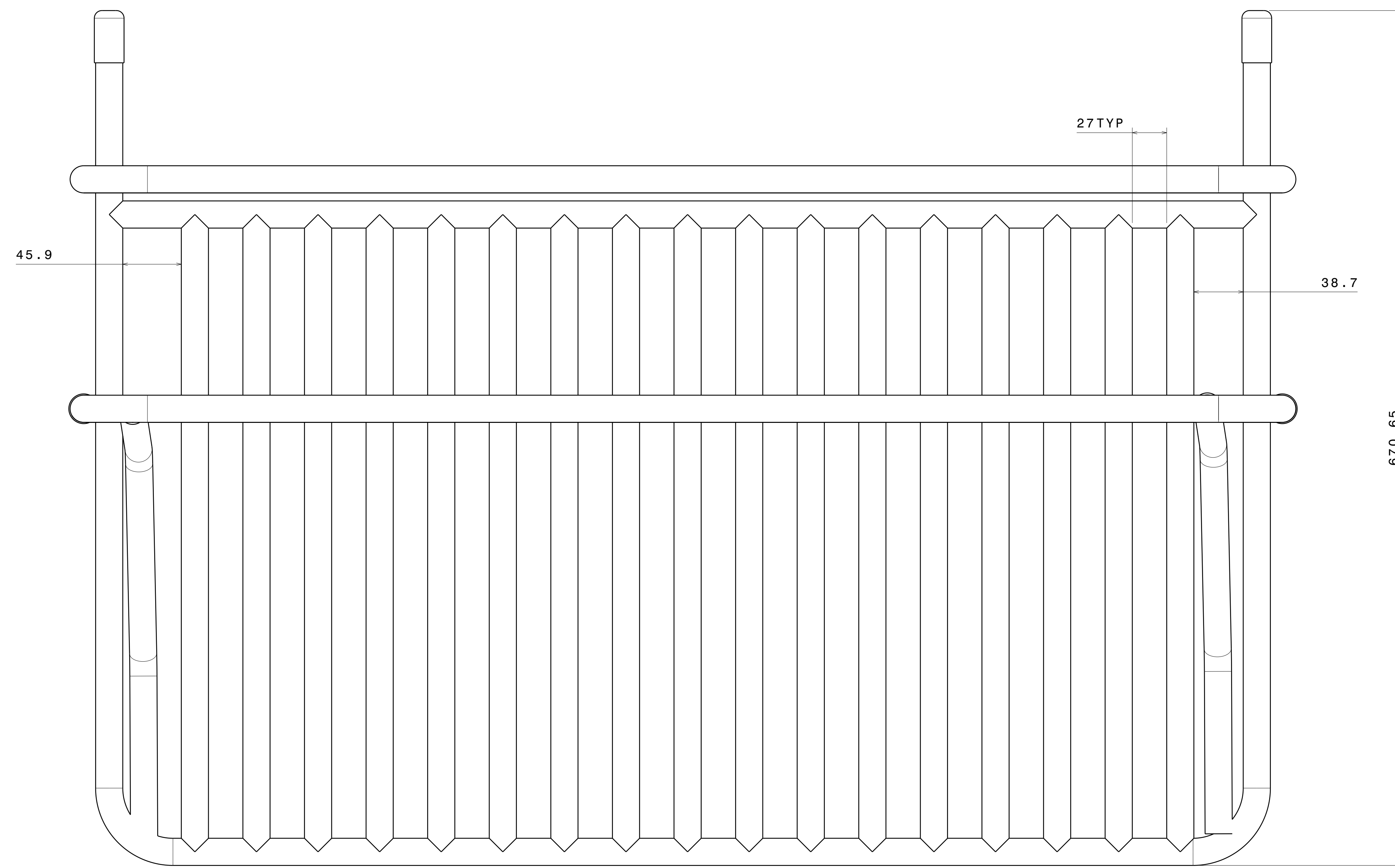
SIZE: A0 DRAWING NUMBER: P2P NOV 20 13 REV: 00

SCALE: As Indicated WEIGHT (kg): 0kg SHEET 1 OF 3

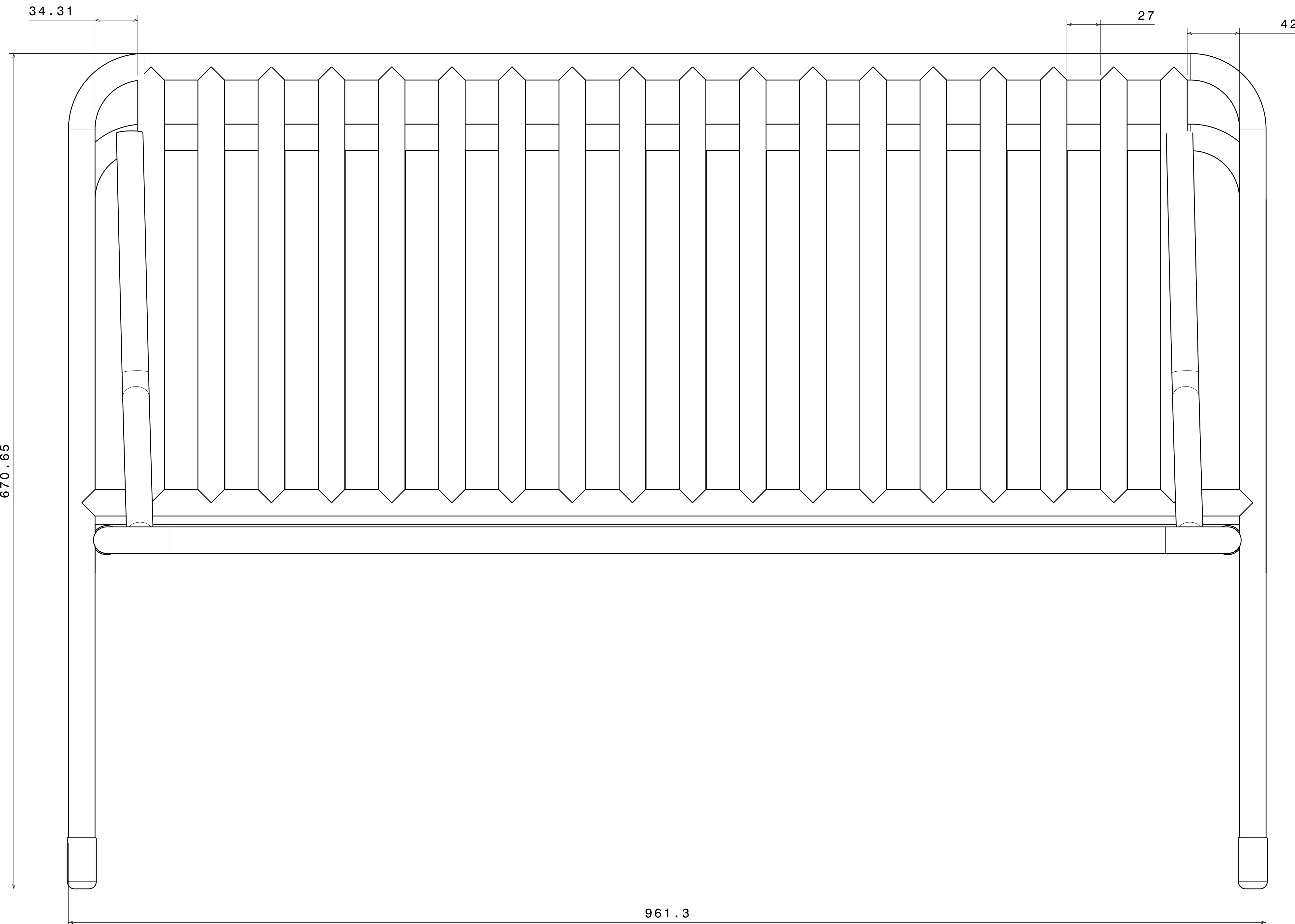
UNLESS OTHERWISE SPECIFIED DIMENSION ARE IN MM VIEWS: THIRD ANGLE PROJECTION

DESIGNED BY: P2P Analysis & Solutions DATE: 11NOV2020
 CHECKED BY: P2P Analysis & Solutions DATE: 11NOV2020
 DRAWN BY: SB DATE: 11NOV2020

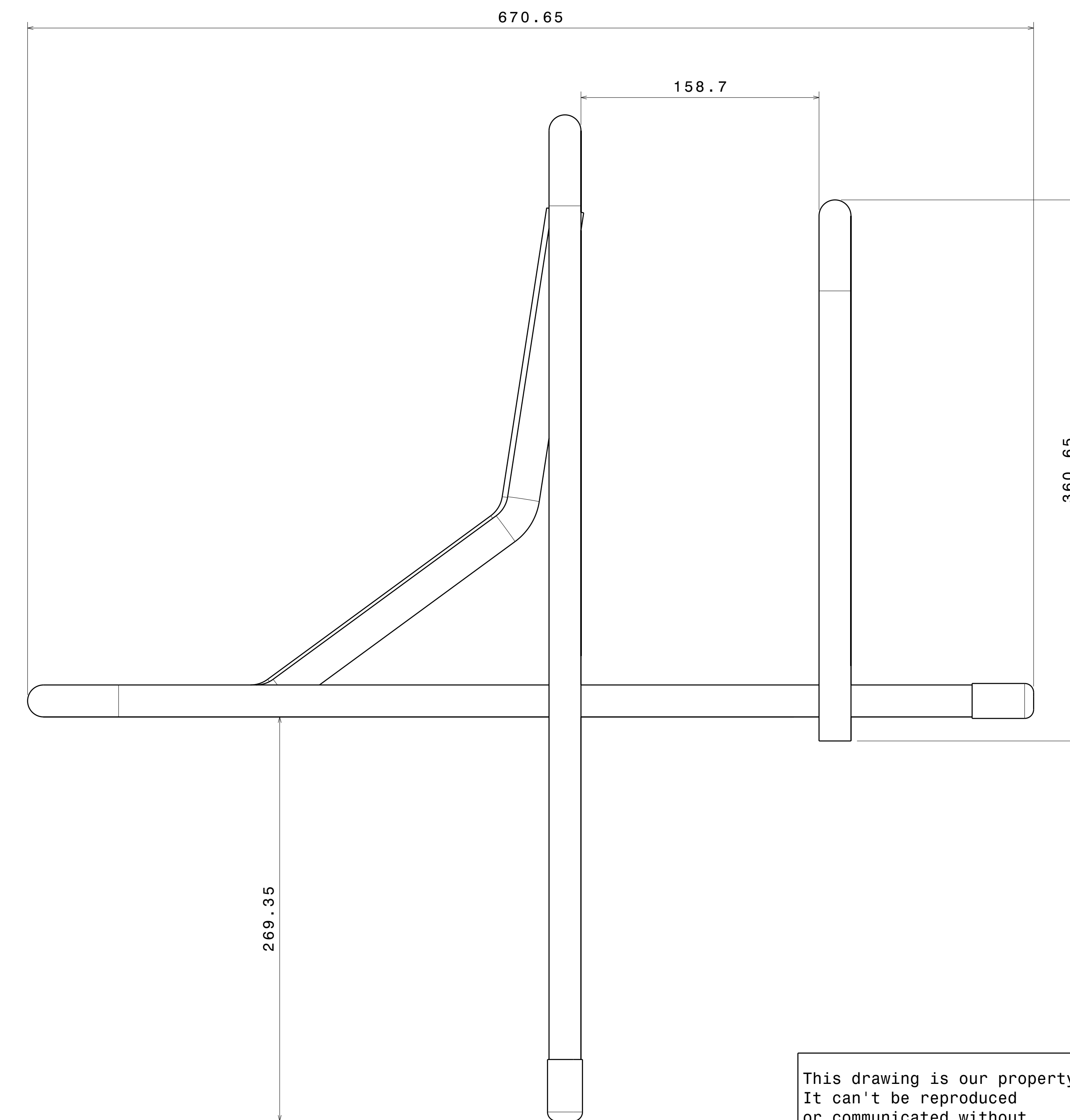
REV	DATE	DESCRIPTION
00	11NOV2020	INITIAL REVISION



Top view
Scale: 1:2

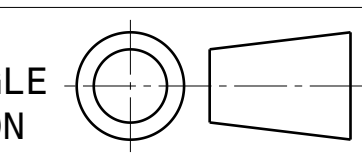



Front view
Scale: 1:2



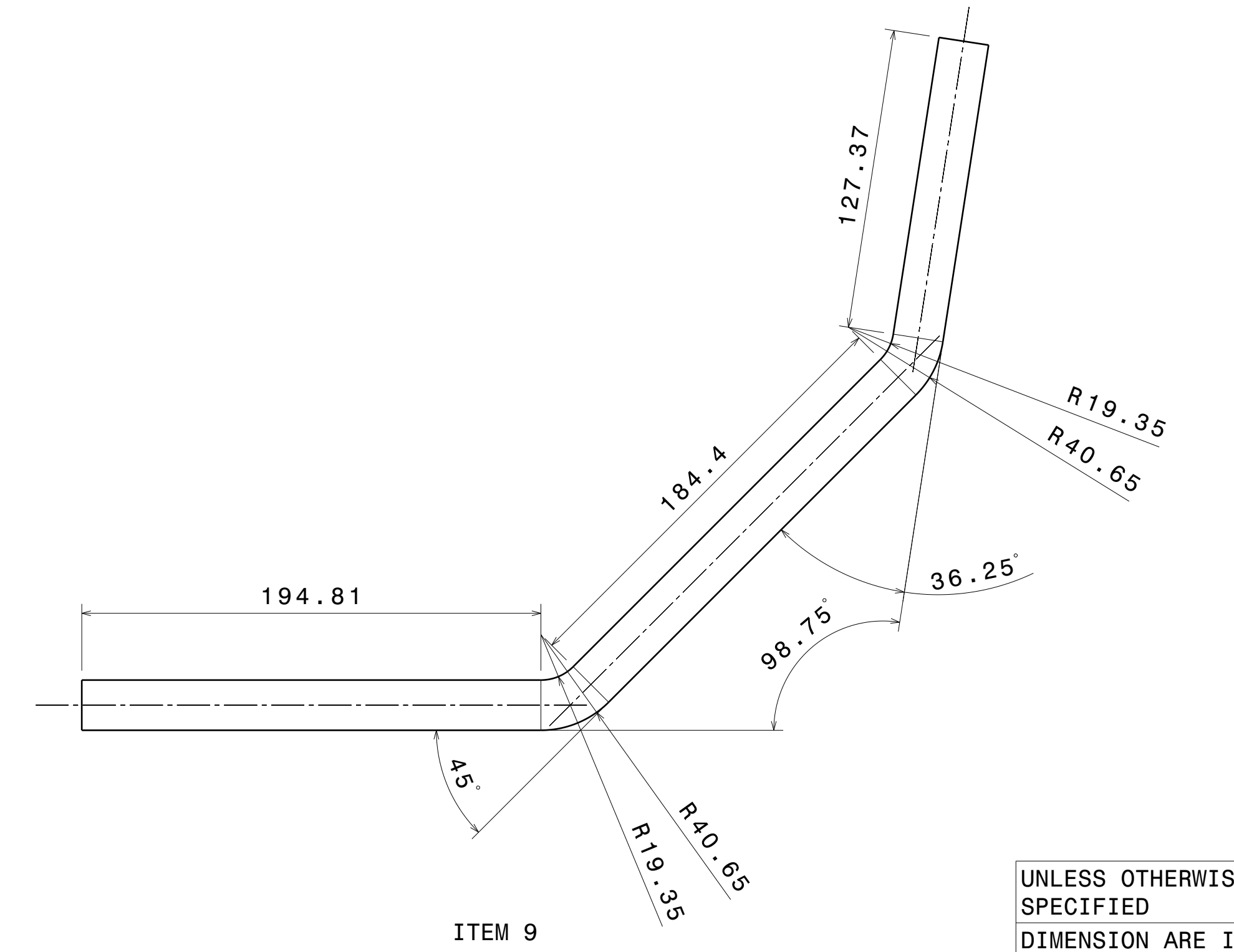
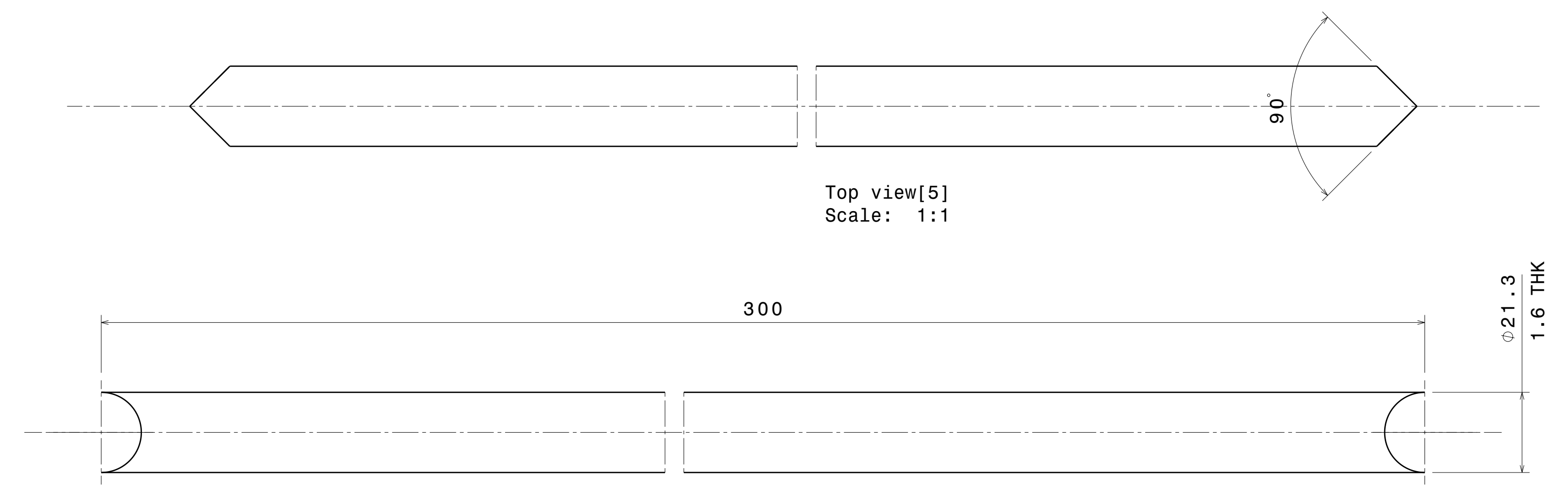
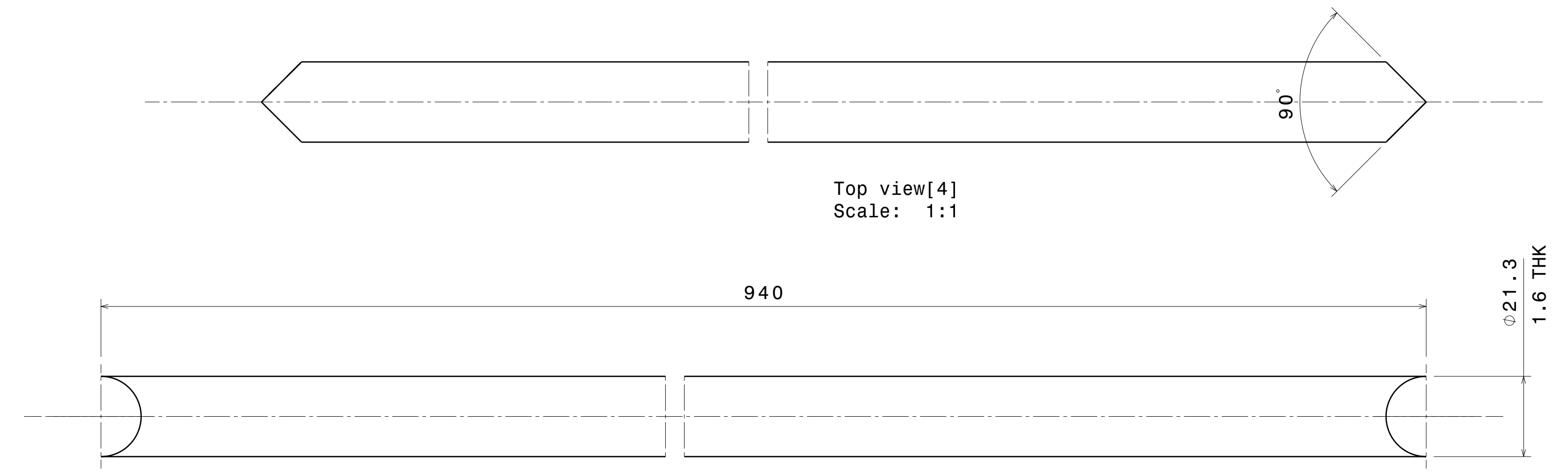
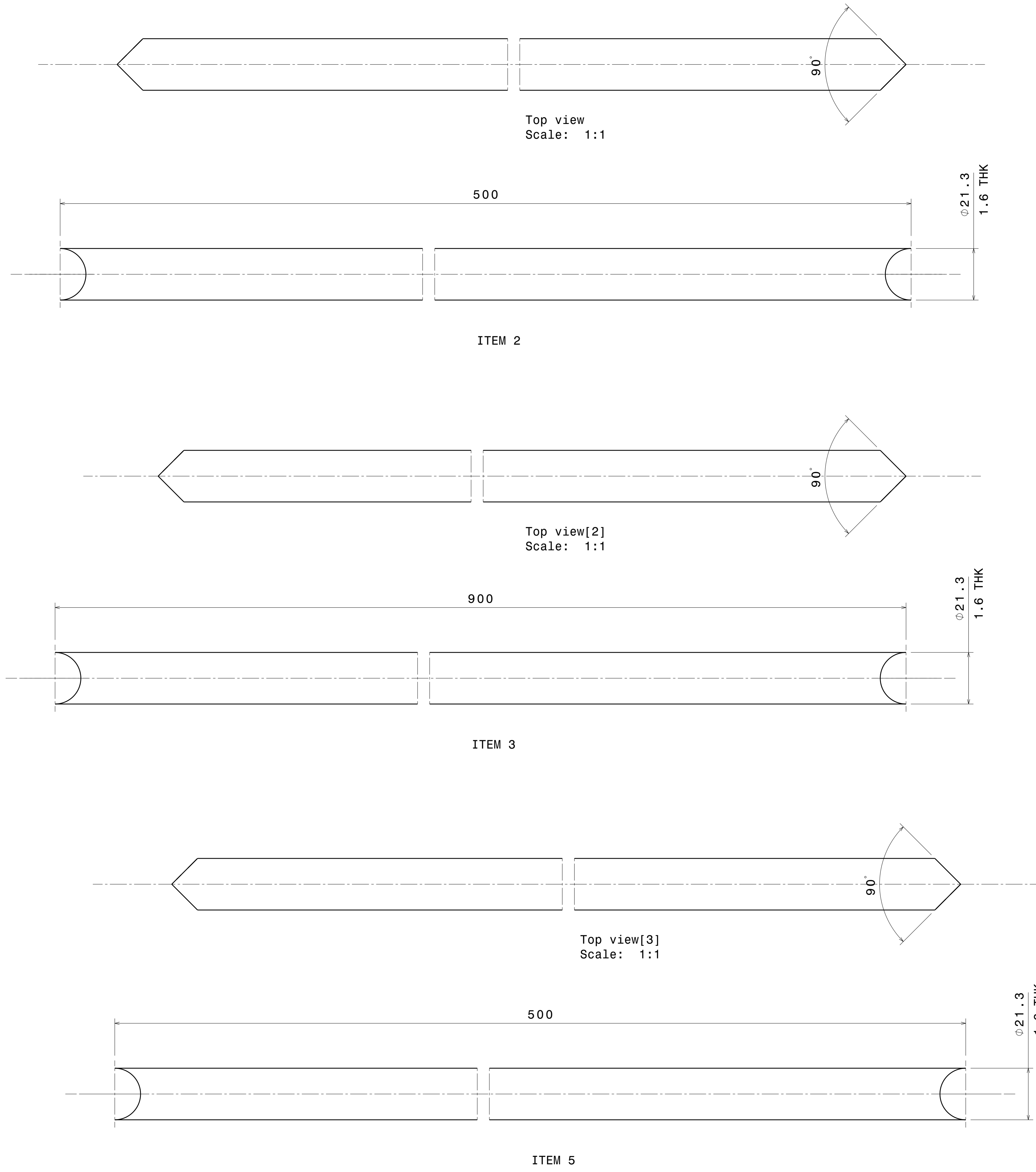
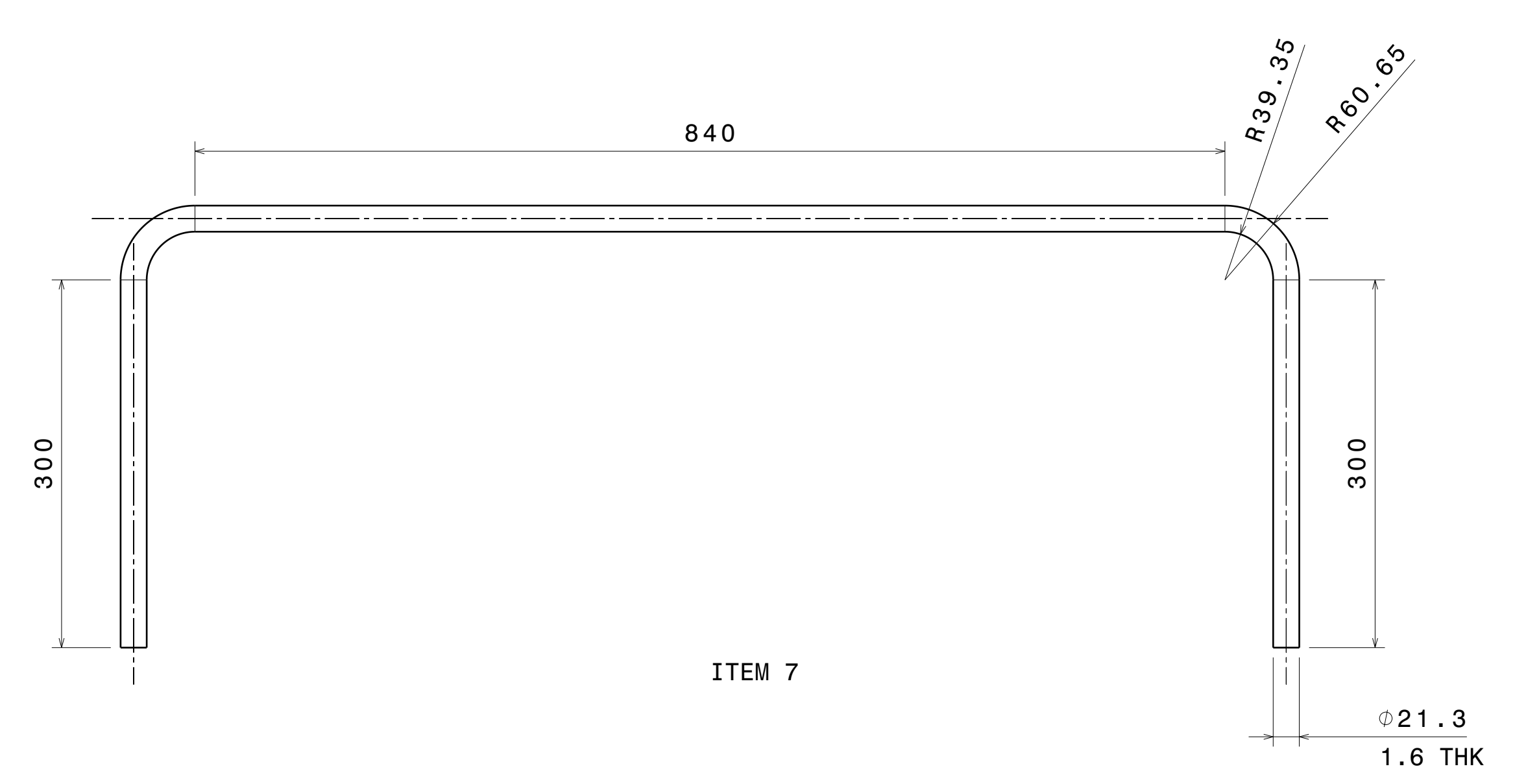
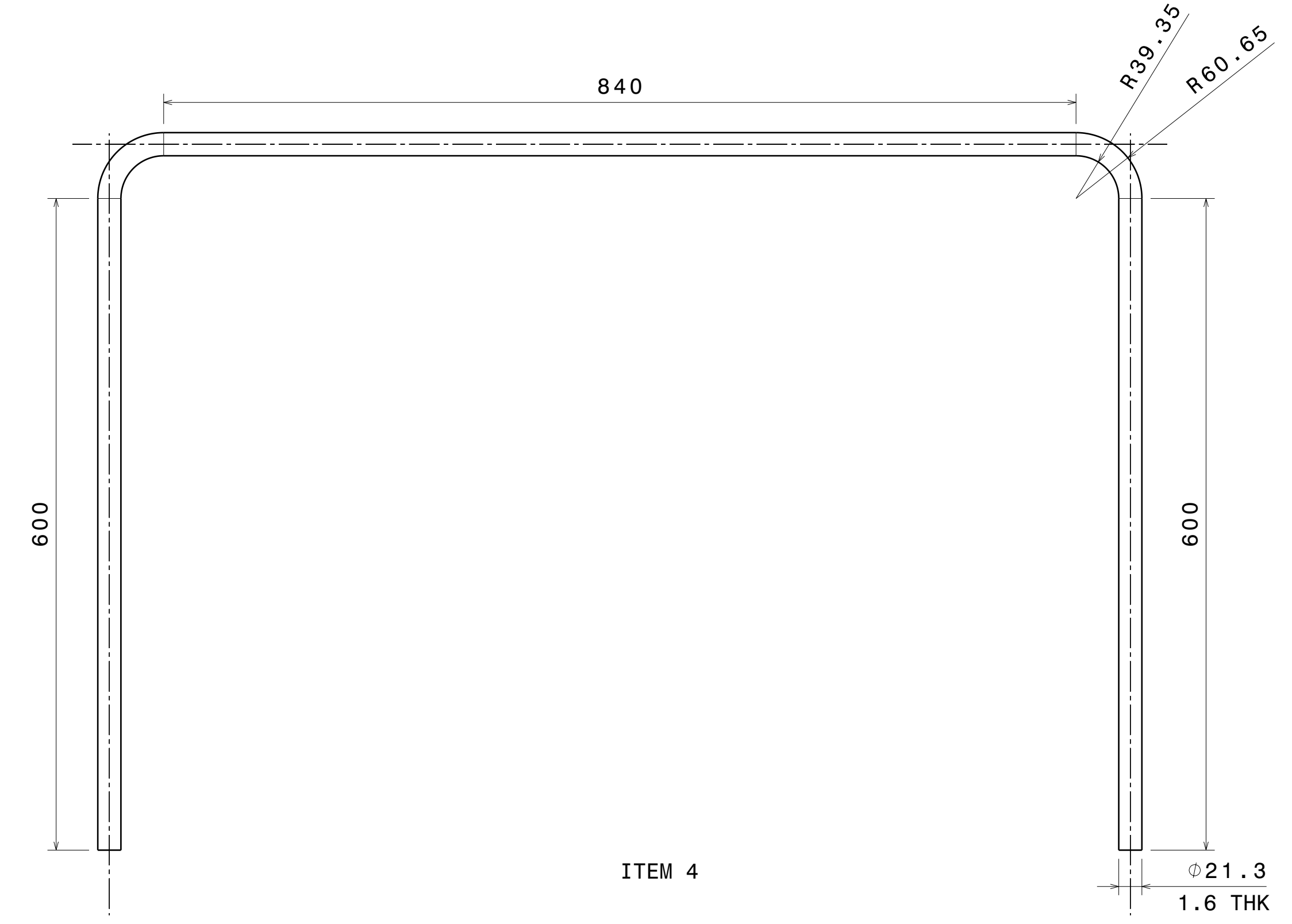
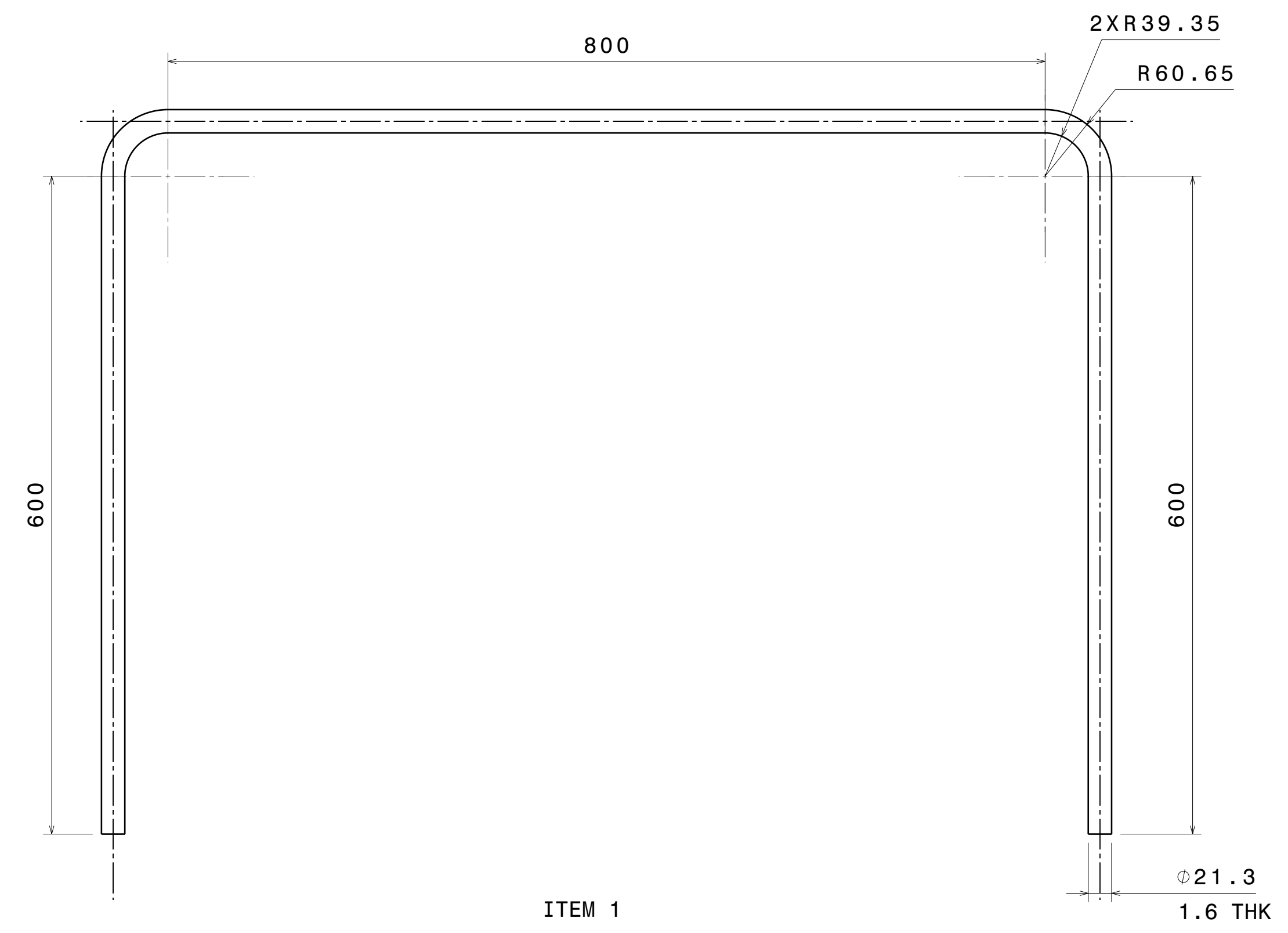
Right view
Scale: 1:2

UNLESS OTHERWISE SPECIFIED DIMENSION ARE IN MM
VIEWS: THIRD ANGLE PROJECTION




This drawing is our property. It can't be reproduced or communicated without our written agreement.		APL APOLLO TUBES LTD. 	
DRAWN BY SB		DATE 11NOV2020	
CHECKED BY P2P Analysis & Solutions		DATE 11NOV2020	
DESIGNED BY P2P Analysis & Solutions		DATE 11NOV2020	
DRAWING TITLE NOV 20 13		SIZE A0	REV 00
SCALE NONE		WEIGHT (kg) XXX	SHEET 2 OF 3

REV	DATE	DESCRIPTION
00	11NOV2020	INITIAL REVISION



UNLESS OTHERWISE SPECIFIED DIMENSION ARE IN MM
 VIEWS: THIRD ANGLE PROJECTION

This drawing is our property. It can't be reproduced or communicated without our written agreement.		APL APOLLO TUBES LTD. 	
DRAWN BY	DATE	DRAWING TITLE	
SB	11NOV2020	NOV 20 13	
CHECKED BY	DATE	SIZE	DRAWING NUMBER
P2P Analysis & Solutions	11NOV2020	A0	P2P NOV 20 13
DESIGNED BY	DATE	SCALE	WEIGHT (kg)
P2P Analysis & Solutions	11NOV2020	NONE	XXX
		SHEET 3 OF 3	

16
15
14
13
12
11
10
9
8
7
6
5
4
3
2
1