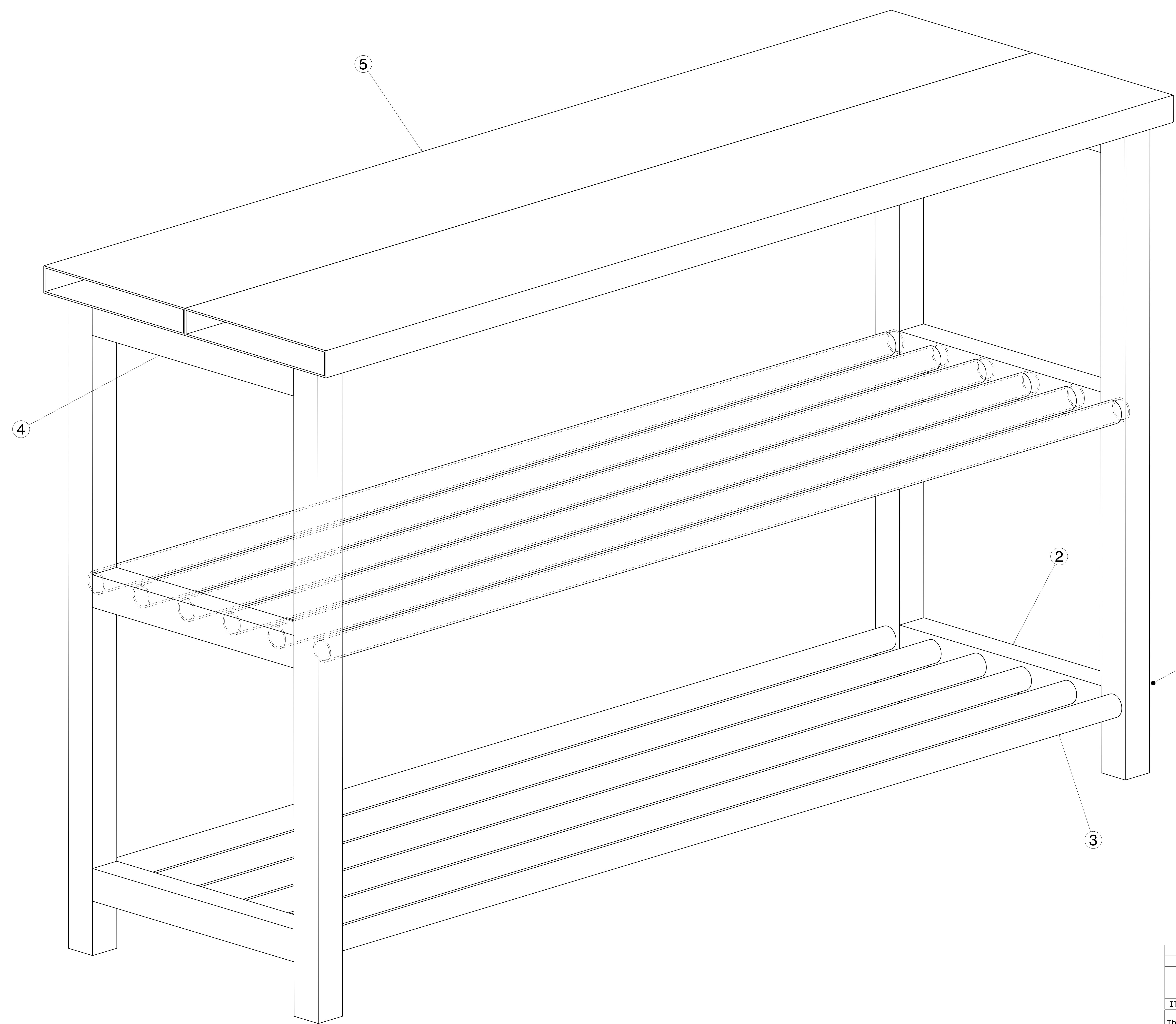


REV	DATE	DESCRIPTION
00	27NOV2020	INITIAL REVISION

- NOTES:
- (⊥) ALL VERTICAL SUPPORTS ARE PERPENDICULAR.
 - FLATNESS OF .5MM IS APPLIED BY DEFAULT.
 - ⊲ WELD BEAD OF 2MM RADIUS IS FOLLOWED.
 - ▽▽ SURFACE FINISH MEDIUM TO SMOOTH IS USED.
 - ALL TUBES ARE AS PER APL APOLLO STANDARD. CHANGES MAY EFFECT THE LOAD CAPACITY.
 - ALL HORIZONTAL AND VERTICAL TUBES ARE PERPENDICULAR TO EACH OTHER WITH ±1 DEG.
 - FINE WELDING IS REQUIRED AS PER MENTIONED DETAILS AND FINISHING.
 - HIGHER CURRENT WELDING MAY AFFECT THE BRITTLENESS OF MATERIAL WHICH LATER MAY RAISE TO WEAKENING OF STRUCTURE.
 - FABRICATORS ARE ALLOWED TO USE FITTINGS/FRAMES/SUPPORTS AS NEEDED AND THE SAME MUST BE COMMUNICATED BACK TO ENGINEERING TEAM.
 - BOP COMPONENT WEIGHTS ARE FOR REFERENCE ONLY AND SUBJECTED TO CHANGE PER PURCHASED COMPONENTS.



Isometric view
Scale: 3:4

ITEM NO.	PART NUMBER	DESCRIPTION	QTY.	Wt (kg)/Each
5	PLANK 1	175 X 25 1.6 X 1050	2	5.2
4	SHS 3	30 X 30 X 2 X 250	2	0.44
3	CIRCULAR TUBE 1	DIA 21.3 X 1.6 X 990	10	0.92
2	SHS 2	30 X 30 X 2 X 250	4	0.42
1	SHS 1	30 X 30 X 2 X 600	4	1.05

This drawing is our property. It can't be reproduced or communicated without our written agreement.

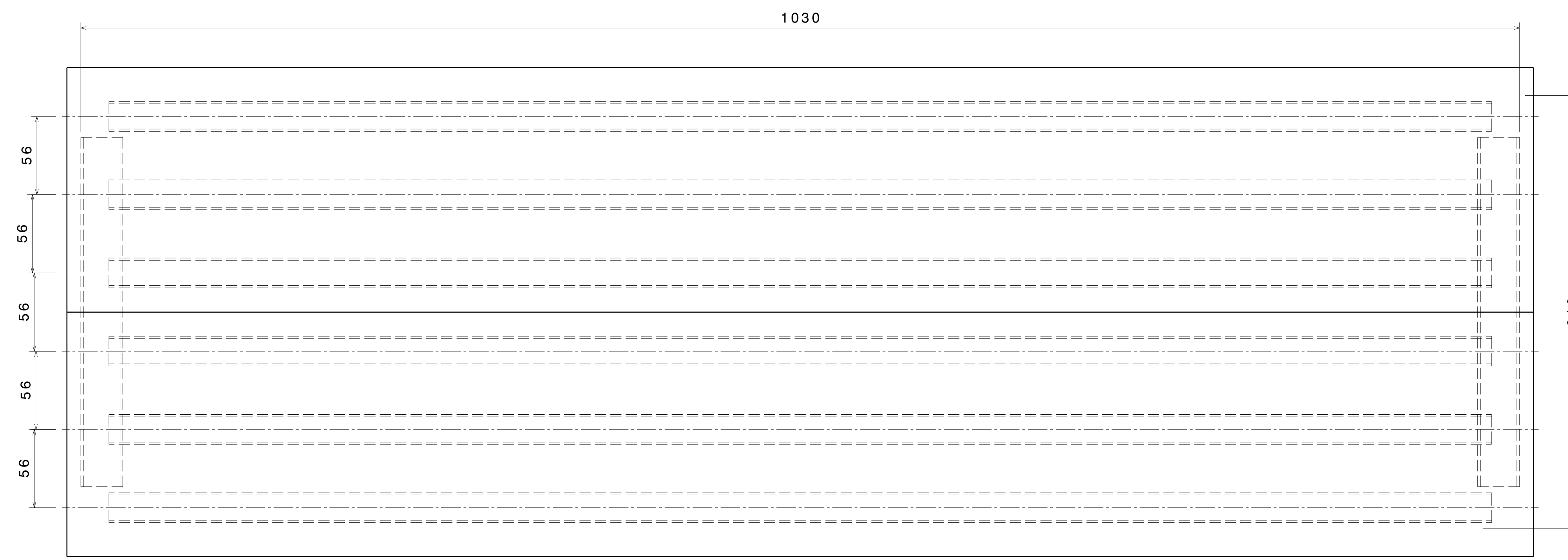
APL APOLLO TUBES LTD.

DRAWING TITLE: NOV 20 20

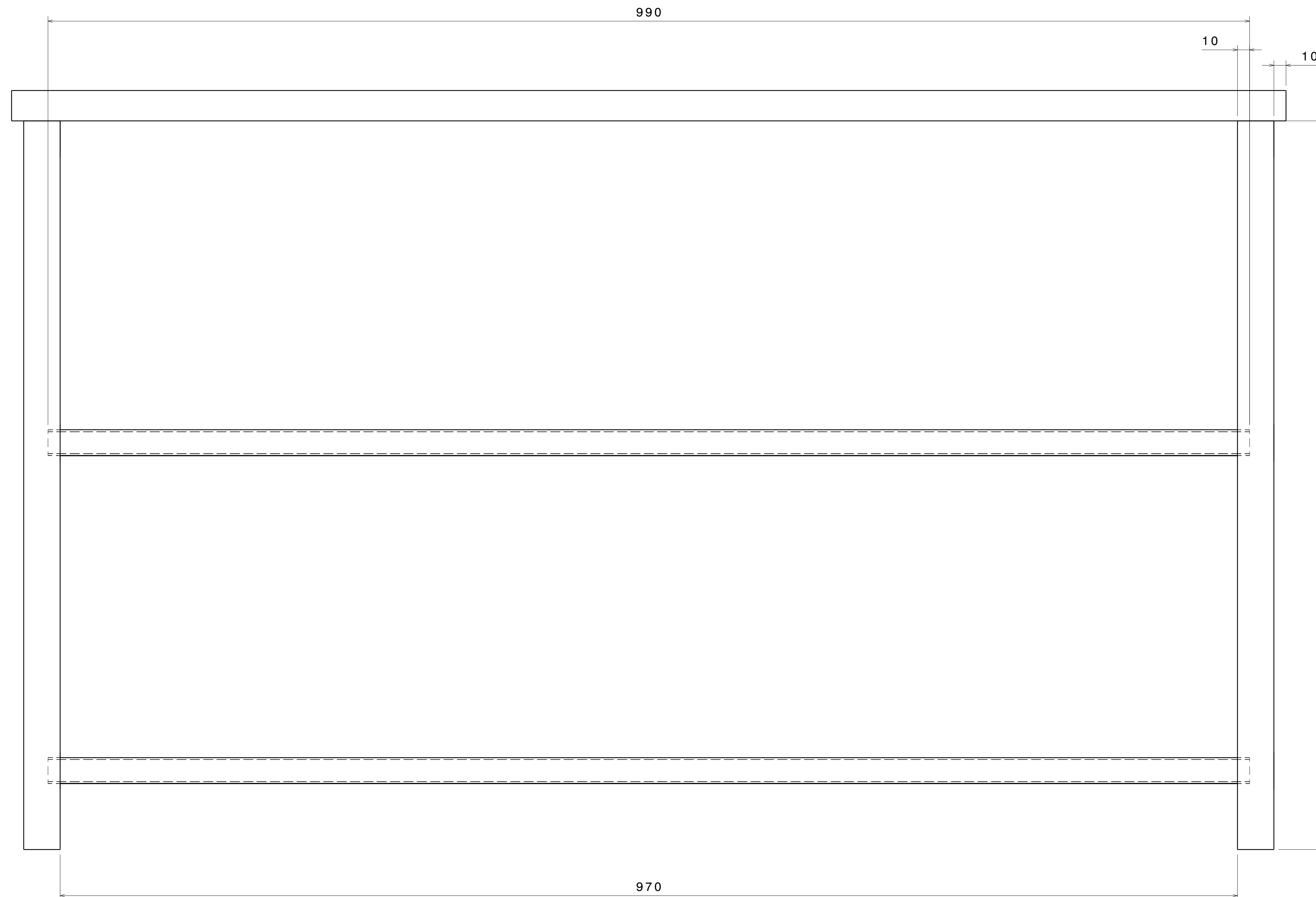
DRAWN BY: SB	DATE: 27NOV2020	SIZE: A0	DRAWING NUMBER: P2P NOV 20 20	REV: 00
CHECKED BY: P2P Analysis & Solutions	DATE: 27NOV2020	SCALE: As Indicated	WEIGHT (kg): 0kg	SHEET 1 OF 3
DESIGNED BY: P2P Analysis & Solutions	DATE: 27NOV2020			

UNLESS OTHERWISE SPECIFIED DIMENSION ARE IN MM
VIEWS: THIRD ANGLE PROJECTION

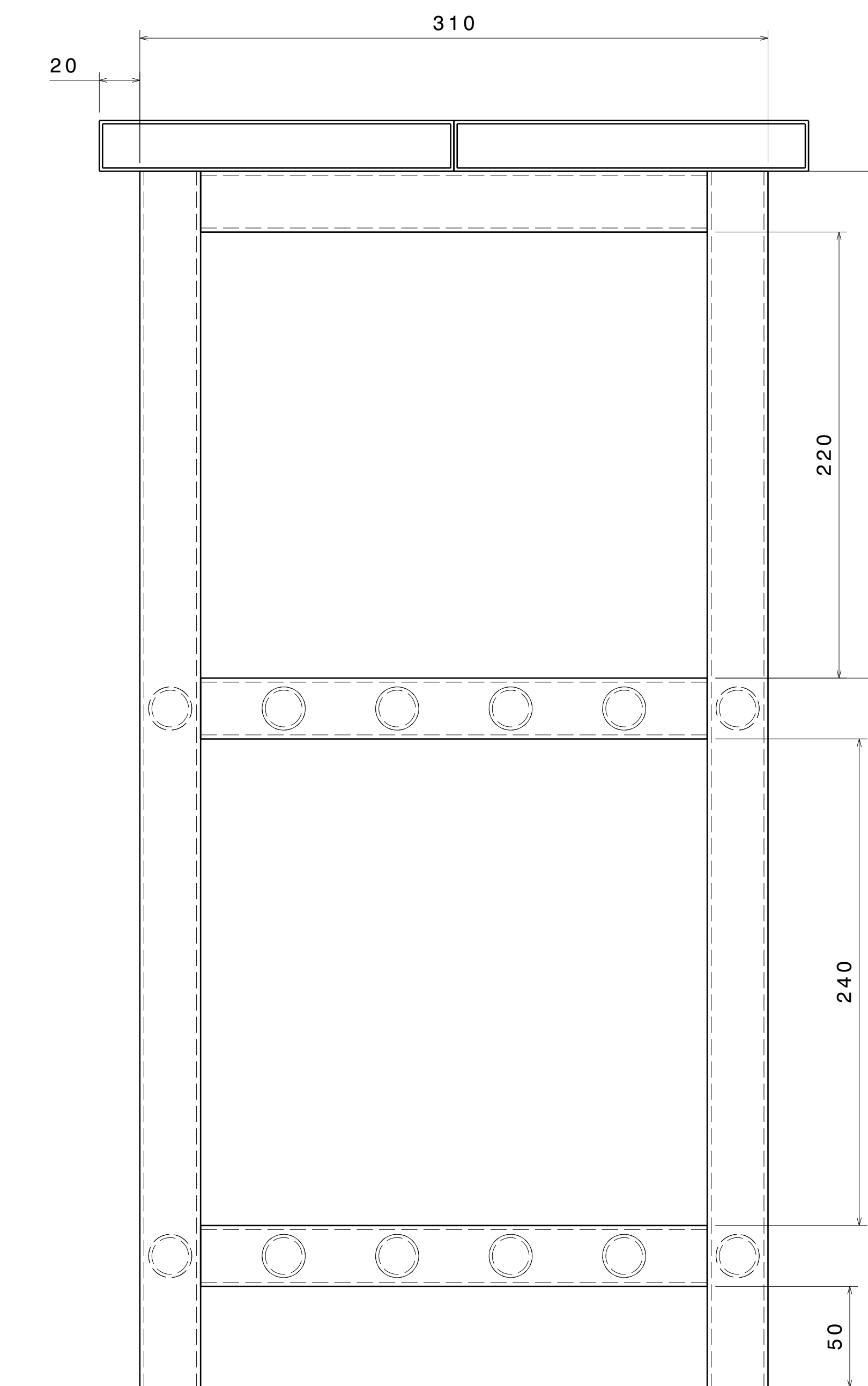
REV	DATE	DESCRIPTION
00	27NOV2020	INITIAL REVISION



Top view
Scale: 1:2

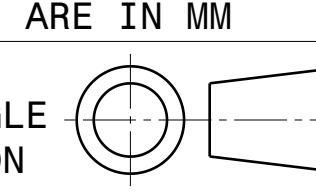



Front view
Scale: 1:2



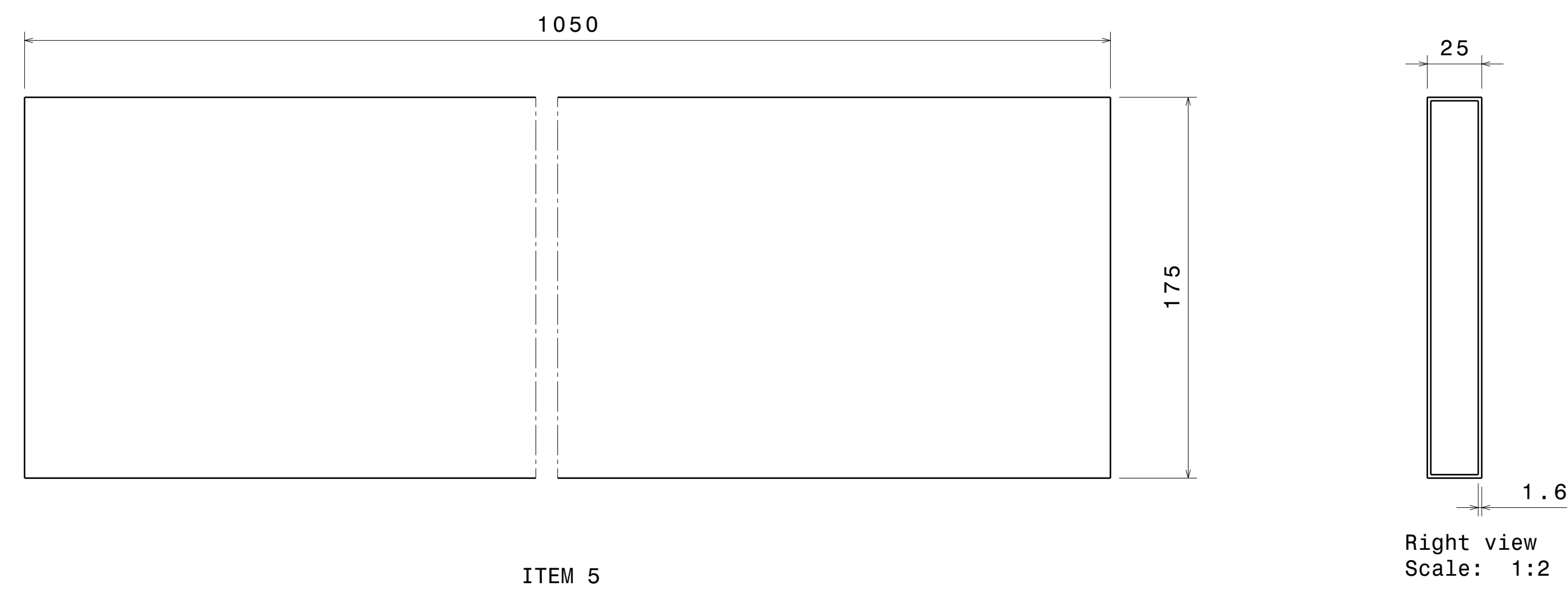
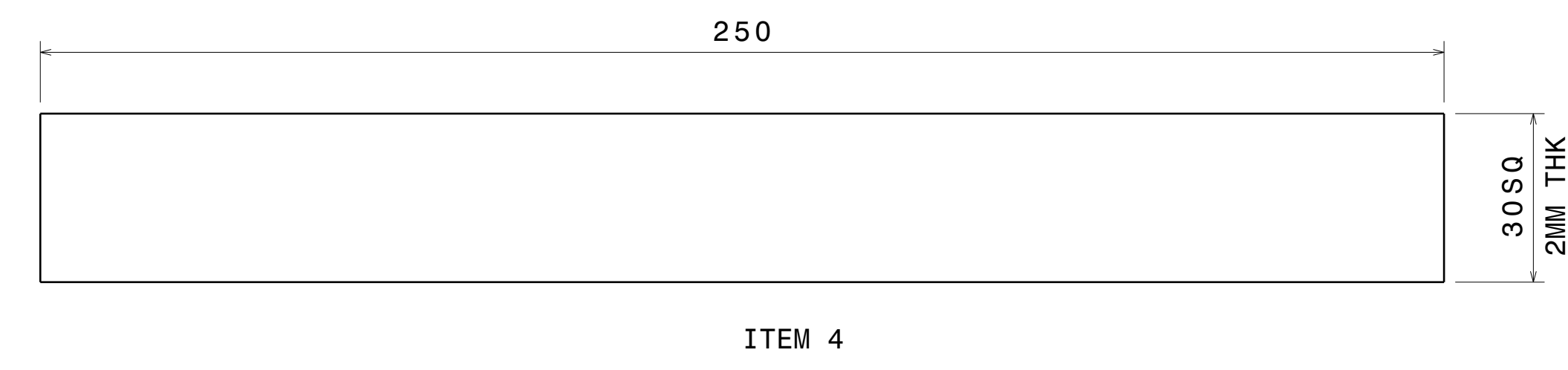
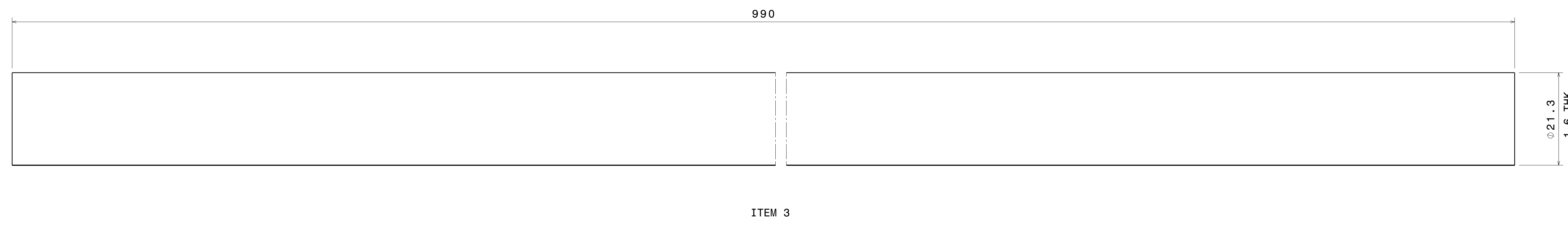
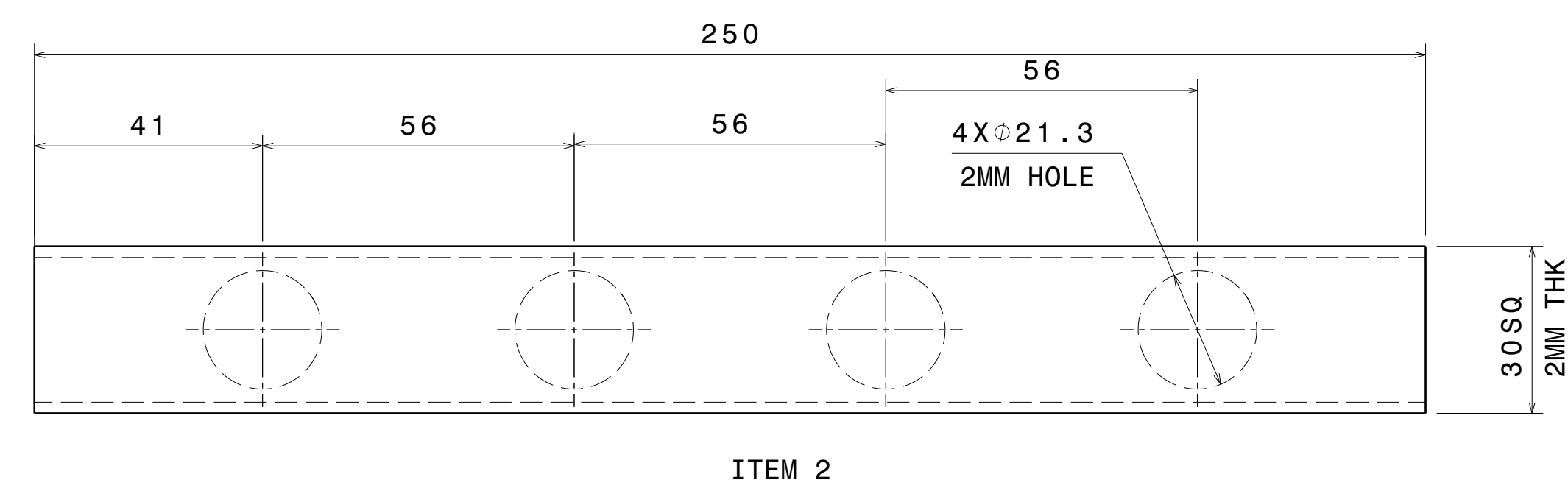
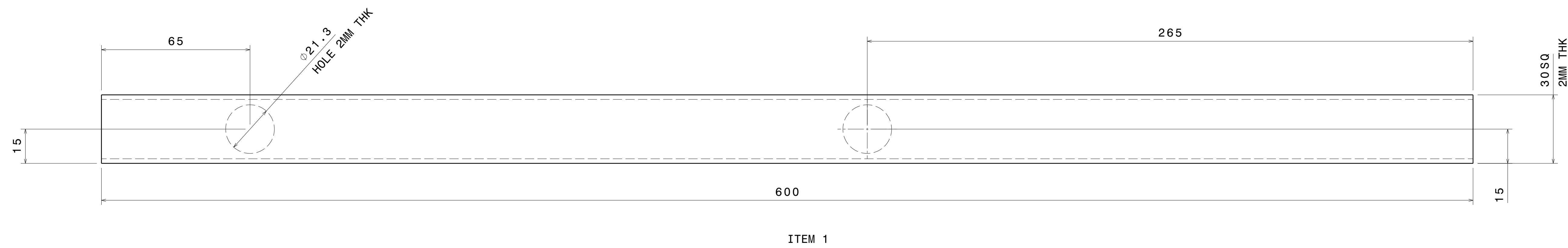
Right view
Scale: 1:2

UNLESS OTHERWISE SPECIFIED DIMENSION ARE IN MM
VIEWS: THIRD ANGLE PROJECTION

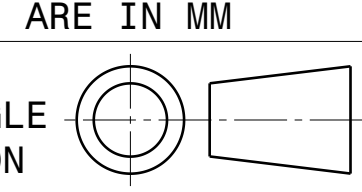



This drawing is our property. It can't be reproduced or communicated without our written agreement.		APL APOLLO TUBES LTD. 	
DRAWN BY SB		DATE 27NOV2020	
CHECKED BY P2P Analysis & Solutions		DATE 27NOV2020	
DESIGNED BY P2P Analysis & Solutions		DATE 27NOV2020	
DRAWING TITLE NOV 20 20		SIZE A0	REV 00
DRAWING NUMBER P2P NOV 20 20		SCALE NONE	WEIGHT (kg) XXX
SHEET 2 OF 3			

REV	DATE	DESCRIPTION
00	27NOV2020	INITIAL REVISION



UNLESS OTHERWISE SPECIFIED DIMENSION ARE IN MM VIEWS: THIRD ANGLE PROJECTION



This drawing is our property. It can't be reproduced or communicated without our written agreement.		APL APOLLO TUBES LTD. 	
DRAWN BY: SB		DATE: 27NOV2020	
CHECKED BY: P2P Analysis & Solutions		DATE: 27NOV2020	
DESIGNED BY: P2P Analysis & Solutions		DATE: 27NOV2020	
DRAWING TITLE: NOV 20 20		SIZE: A0	REV: 00
SCALE: NONE		WEIGHT (kg): XXX	SHEET 3 OF 3