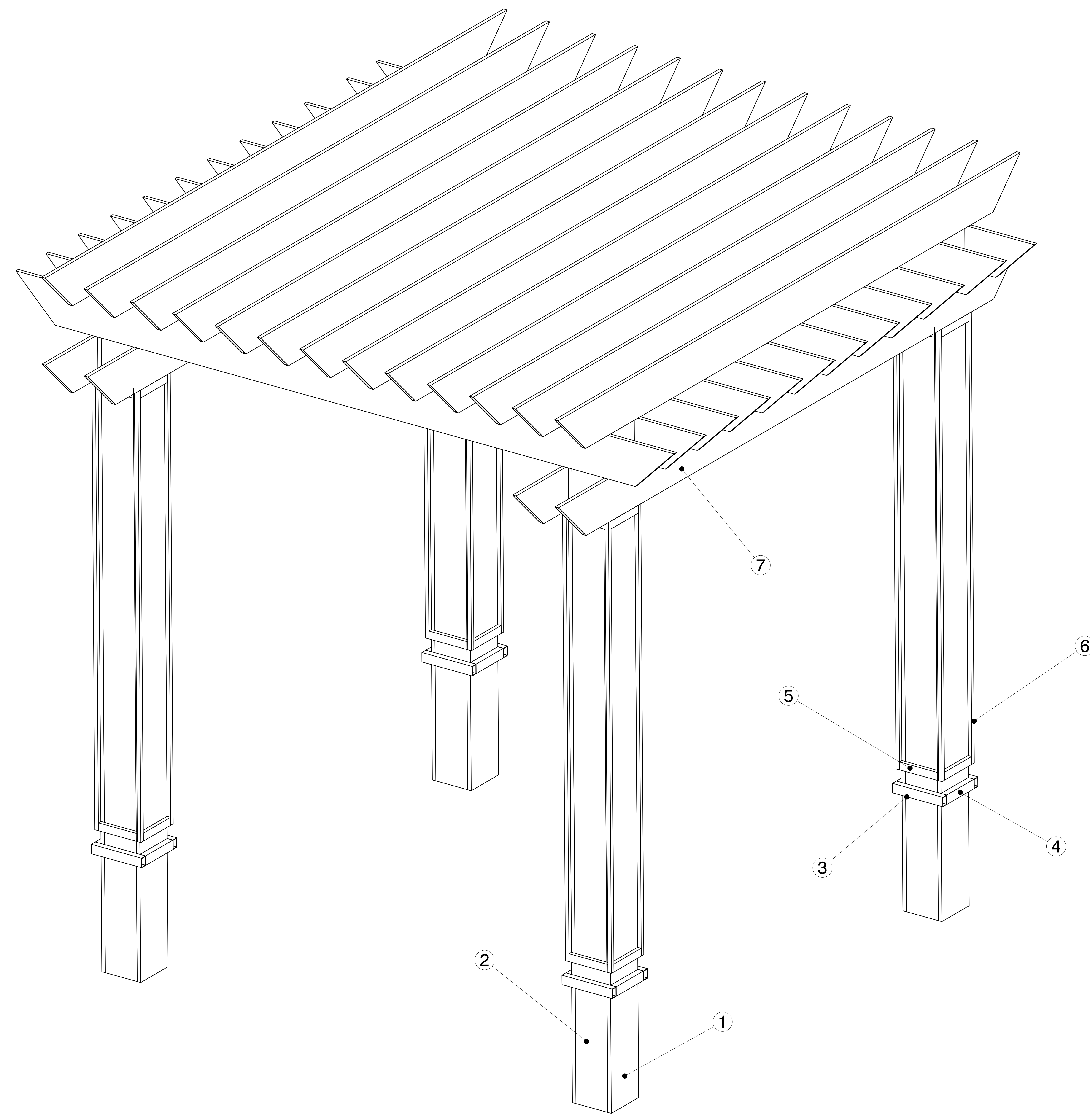



REV/DATE	DESCRIPTION
00 30SEPT2020	INITIAL REVISION

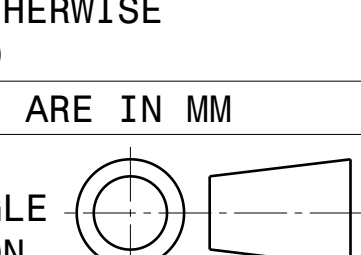
- NOTES:
- (⊥) ALL VERTICAL SUPPORTS ARE PERPENDICULAR.
 - FLATNESS OF .5MM IS APPLIED BY DEFAULT.
 - ⊥ WELD BEAD OF 2MM RADIUS IS FOLLOWED.
 - ▽▽ SURFACE FINISH MEDIUM TO SMOOTH IS USED.
 - ALL TUBES ARE AS PER APL APOLLO STANDARD. CHANGES MAY EFFECT THE LOAD CAPACITY.
 - ALL HORIZONTAL AND VERTICAL TUBES ARE PERPENDICULAR TO EACH OTHER WITH ±1 DEG.
 - FINE WELDING IS REQUIRED AS PER MENTIONED DETAILS AND FINISHING.
 - HIGHER CURRENT WELDING MAY AFFECT THE BRITTLENESS OF MATERIAL WHICH LATER MAY RAISE TO WEAKENING OF STRUCTURE.
 - FABRICATORS ARE ALLOWED TO USE FITTINGS/FRAMES/SUPPORTS AS NEEDED AND THE SAME MUST BE COMMUNICATED BACK TO ENGINEERING TEAM.
 - BOP COMPONENT WEIGHTS ARE FOR REFERENCE ONLY AND SUBJECTED TO CHANGE PER PURCHASED COMPONENTS.



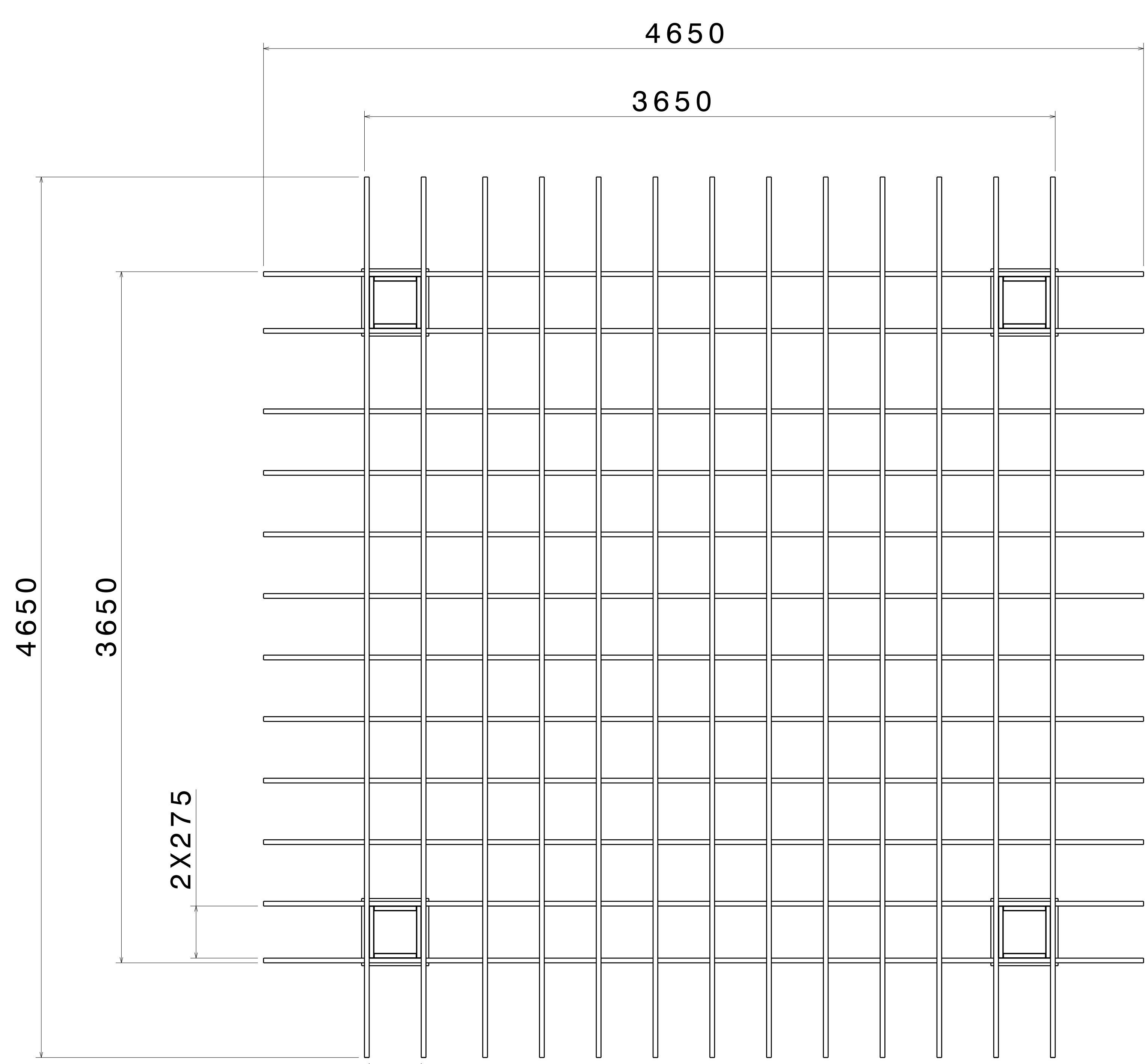
ISOMETRIC VIEW

ITEM NO.	PART NUMBER	DESCRIPTION	QTY.	Wt (kg)/Each
7	RHS PLANK 3	275 X 25 X 1.6 X 4650	29	32.66
6	SHS FRAME 1	25 X 25 X 1.6 X 2850	16	3.35
5	RHS FRAME 3	50 X 25 X 2 X 275	32	0.61
4	RHS FRAME 2	60 X 40 X 2.6 X 275	8	1.06
3	RHS FRAME 1	60 X 40 X 2.6 X 355	8	1.38
2	RHS PLANK 2	225 X 25 X 1.6 X 4300	8	26.56
1	RHS PLANK 1	275 X 25 X 1.6 X 4300	8	32.1

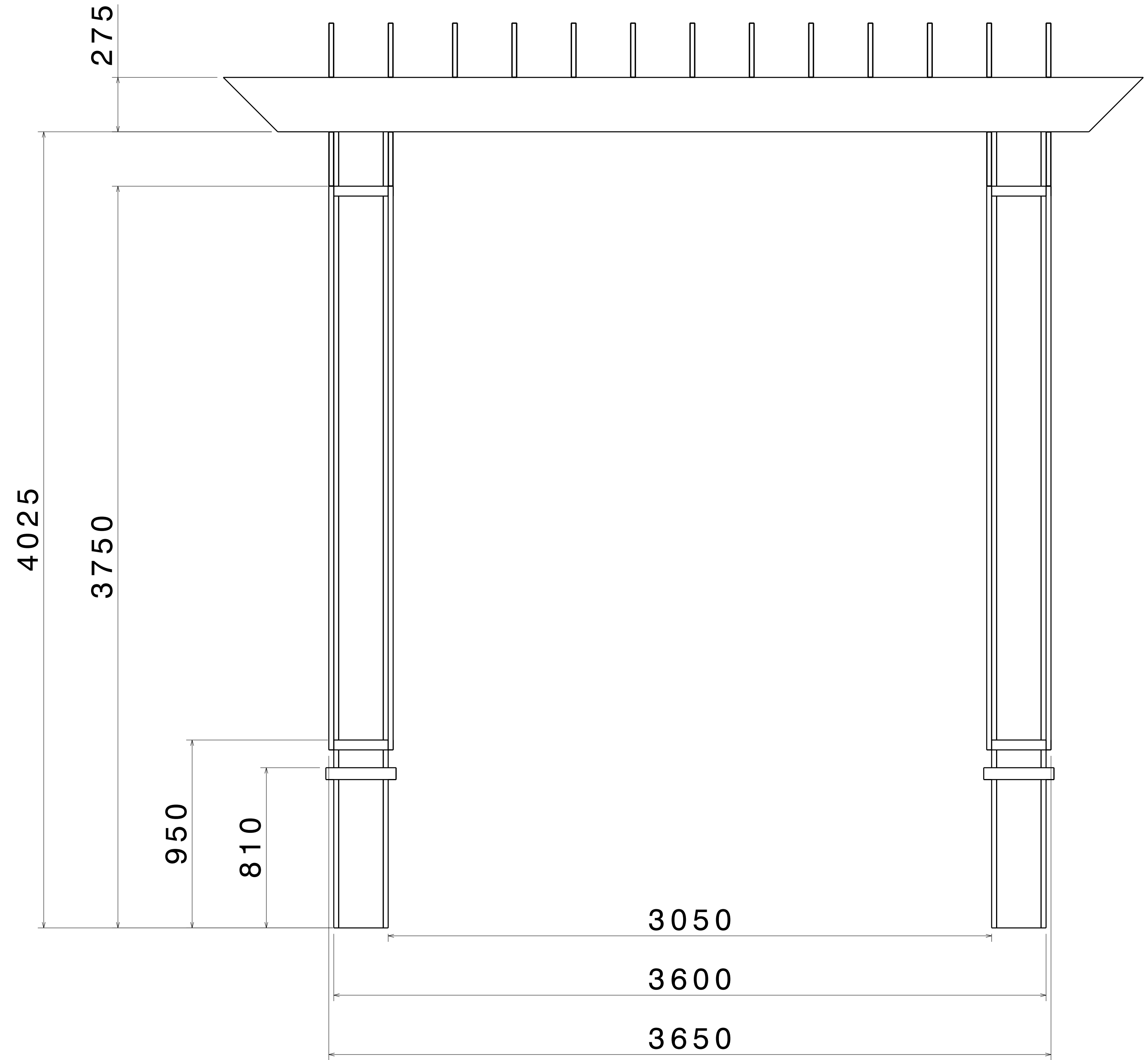
This drawing is our property. It can't be reproduced or communicated without our written agreement.		APL APOLLO TUBES LTD. 	
DRAWN BY		DATE	
VM		30SEPT2020	
CHECKED BY		DATE	
P2P Analysis & Solutions		30SEPT2020	
DESIGNED BY		DATE	
P2P Analysis & Solutions		30SEPT2020	
DRAWING TITLE		PATIO DESIGN 3	
SIZE	DRAWING NUMBER	REV	
A0	P2P PATIO DESIGN 3	00	
SCALE	WEIGHT(kg)	Okg	SHEET 1 OF 3
As Indicated			

UNLESS OTHERWISE SPECIFIED DIMENSION ARE IN MM VIEWS: THIRD ANGLE PROJECTION 

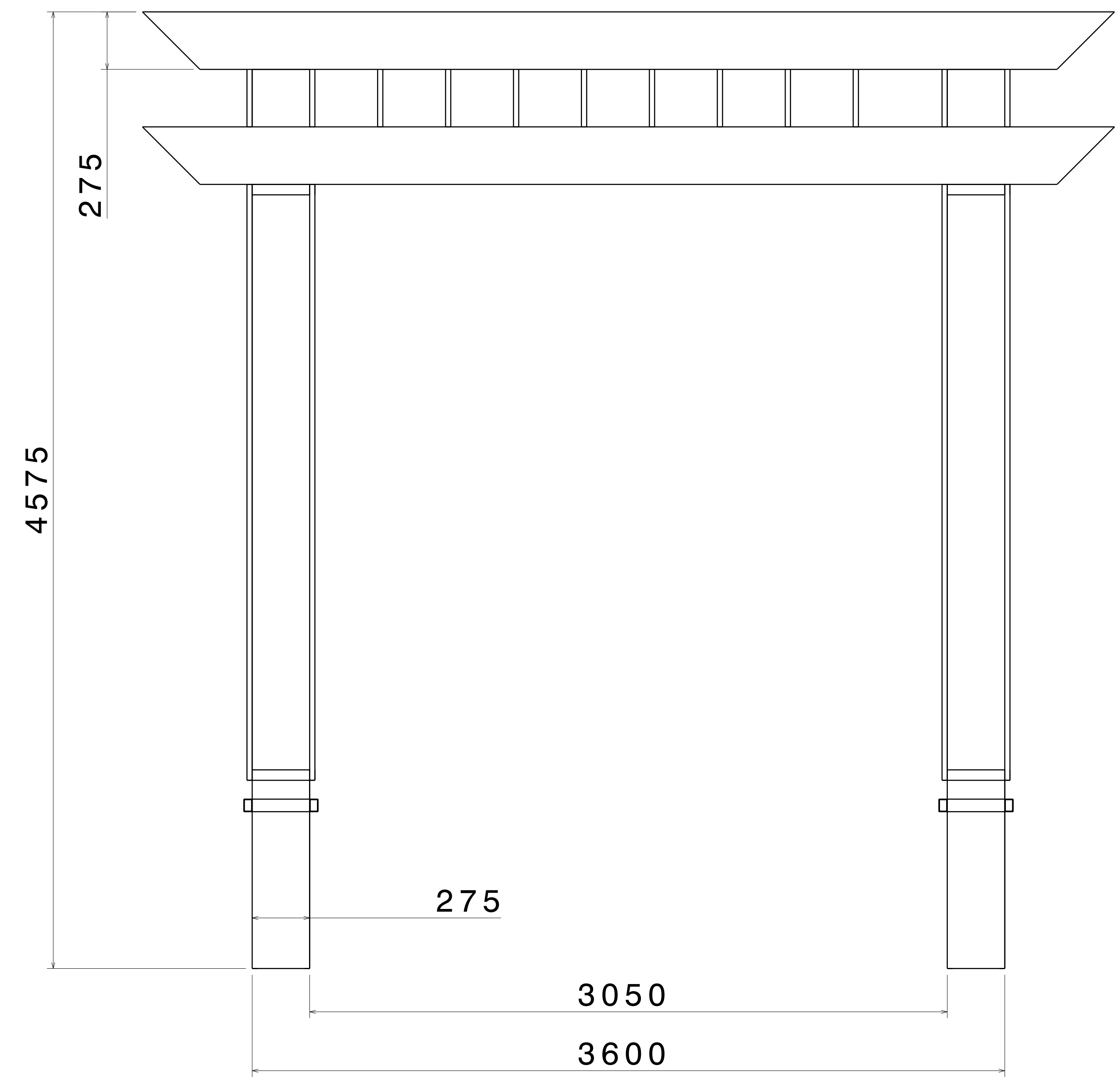
REV	DATE	DESCRIPTION
00	30SEPT2020	INITIAL REVISION



TOP VIEW
SCALE: 1:15

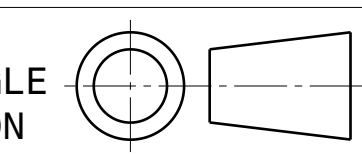



FRONT VIEW
SCALE: 1:15



RIGHT VIEW
SCALE: 1:15

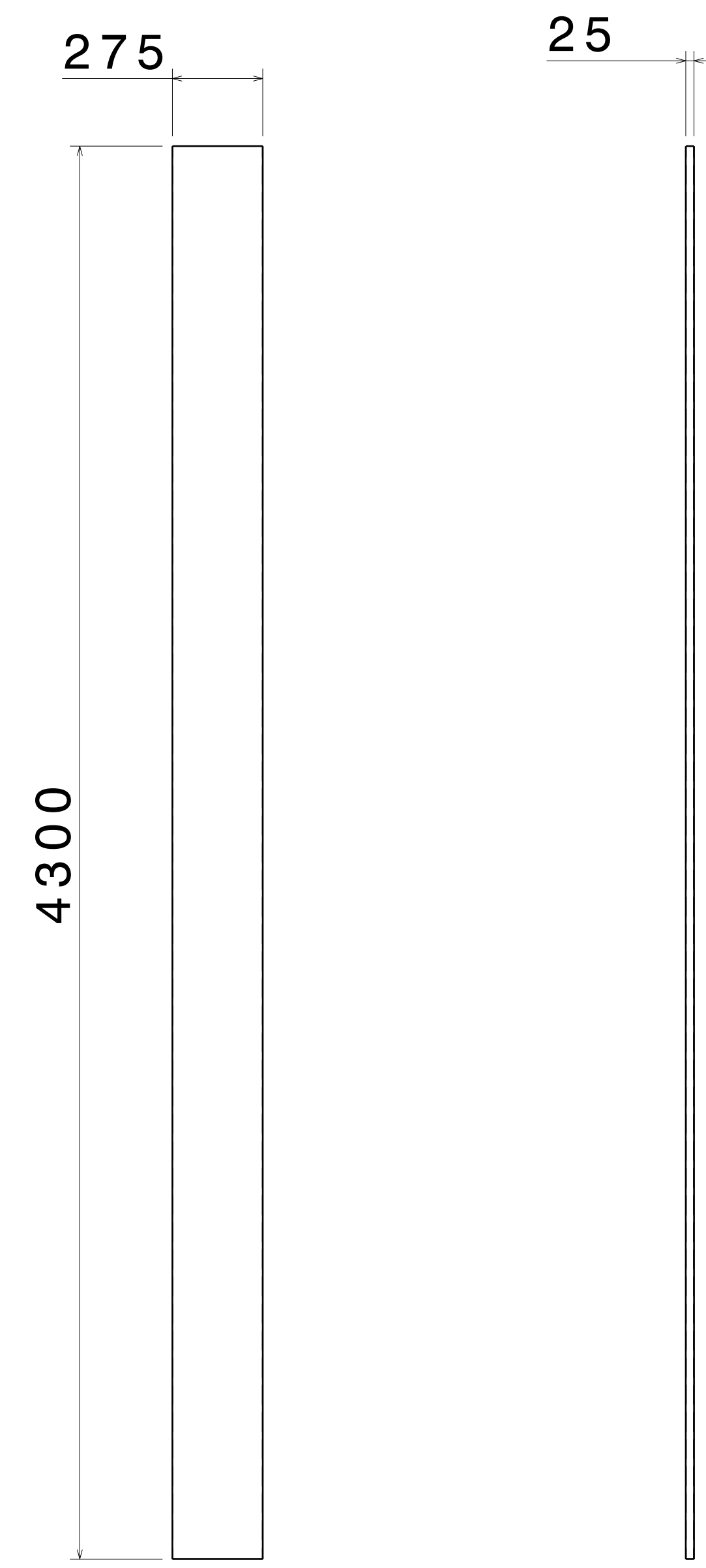
UNLESS OTHERWISE SPECIFIED DIMENSION ARE IN MM
VIEWS: THIRD ANGLE PROJECTION



This drawing is our property. It can't be reproduced or communicated without our written agreement.		APL APOLLO TUBES LTD. 	
DRAWN BY SB		DATE 30SEPT2020	
CHECKED BY P2P Analysis & Solutions		DATE 30SEPT2020	
DESIGNED BY P2P Analysis & Solutions		DATE 30SEPT2020	
SIZE A0	DRAWING NUMBER P2P PATIO DESIGN 3	REV 00	
SCALE NONE	WEIGHT (kg) XXX	SHEET 2 OF 3	

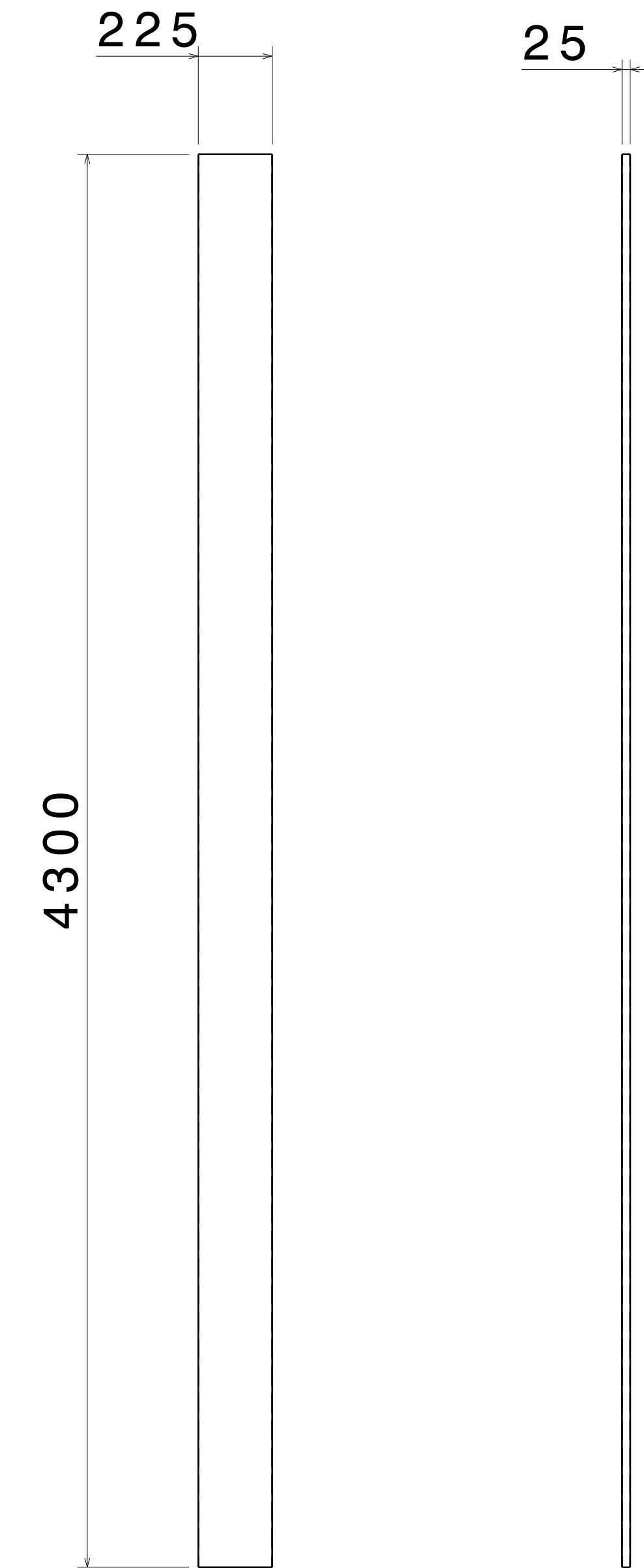
DRAWING TITLE
PATIO DESIGN 3

REV	DATE	DESCRIPTION
00	30SEPT2020	INITIAL REVISION



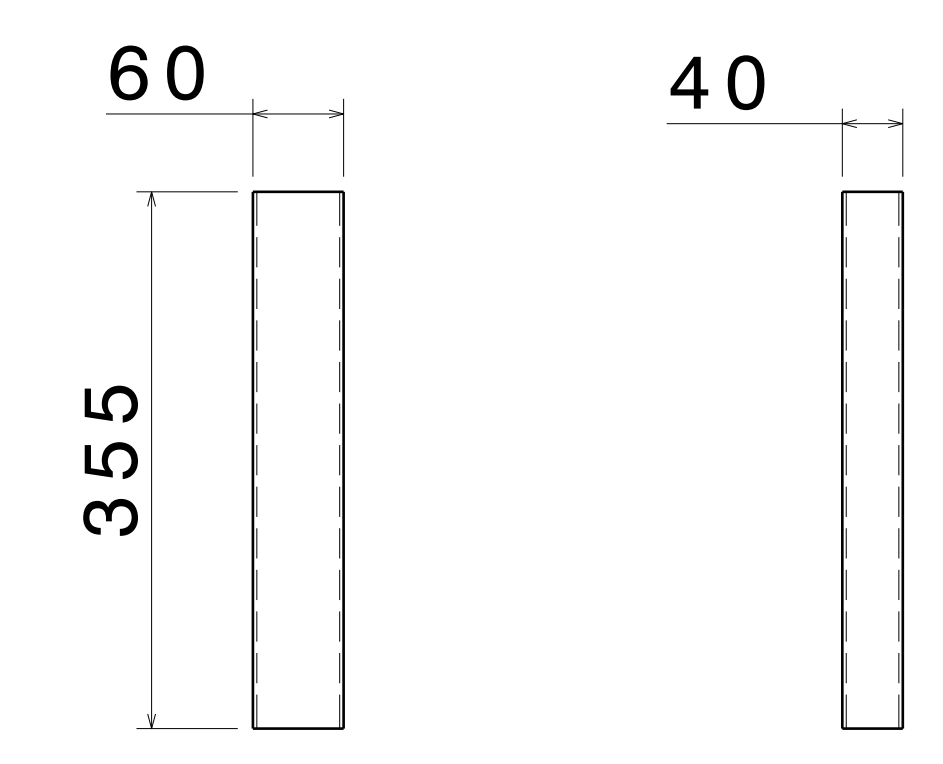
FRONT VIEW RIGHT VIEW
SCALE: 1:15 SCALE: 1:15

ITEM 1, RHS PLANK 1
THICKNESS -1.6 MM



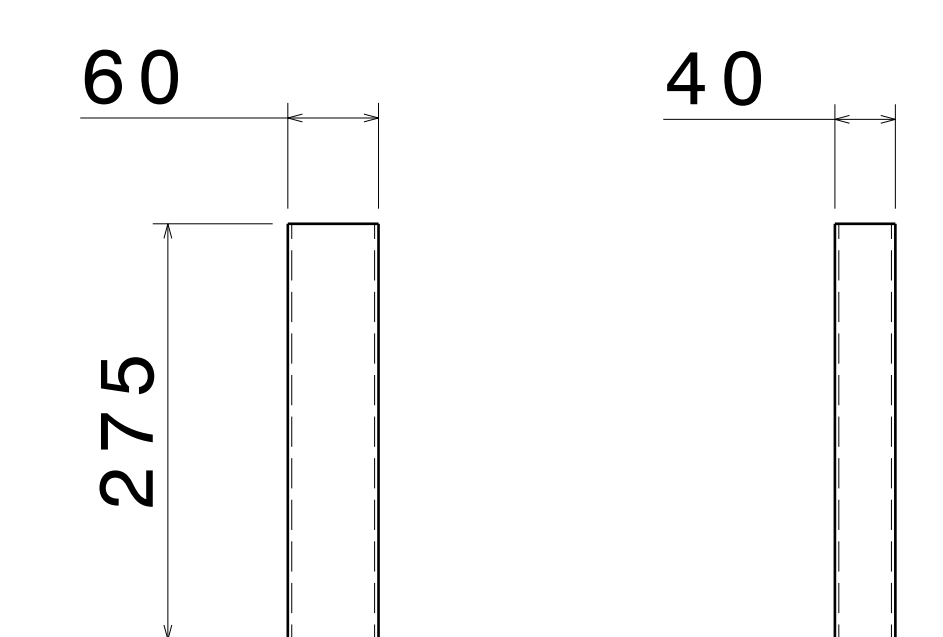
FRONT VIEW RIGHT VIEW
SCALE: 1:15 SCALE: 1:15

ITEM 2, RHS PLANK 2
THICKNESS -1.6 MM



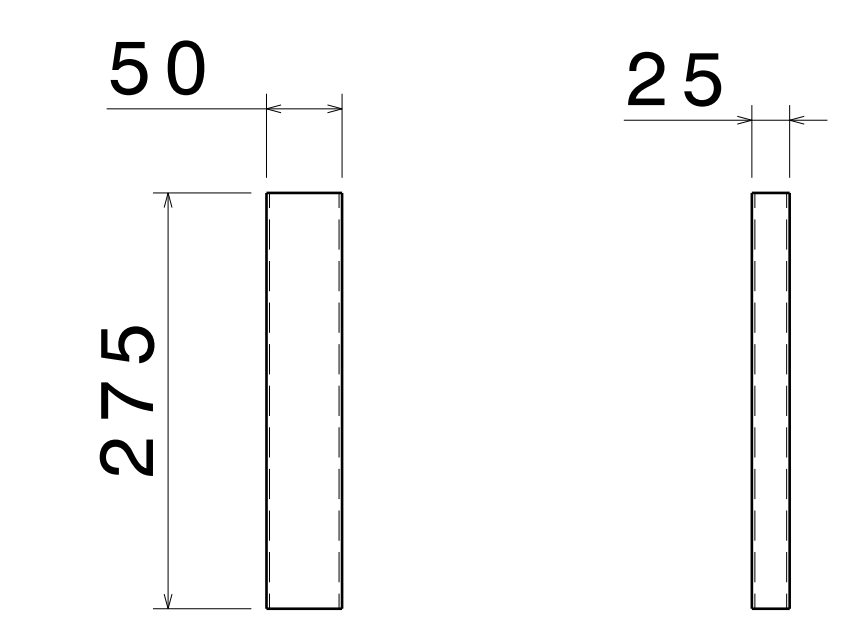
FRONT VIEW RIGHT VIEW
SCALE: 1:5 SCALE: 1:5

ITEM 3, RHS FRAME 1
THICKNESS -2.6 MM



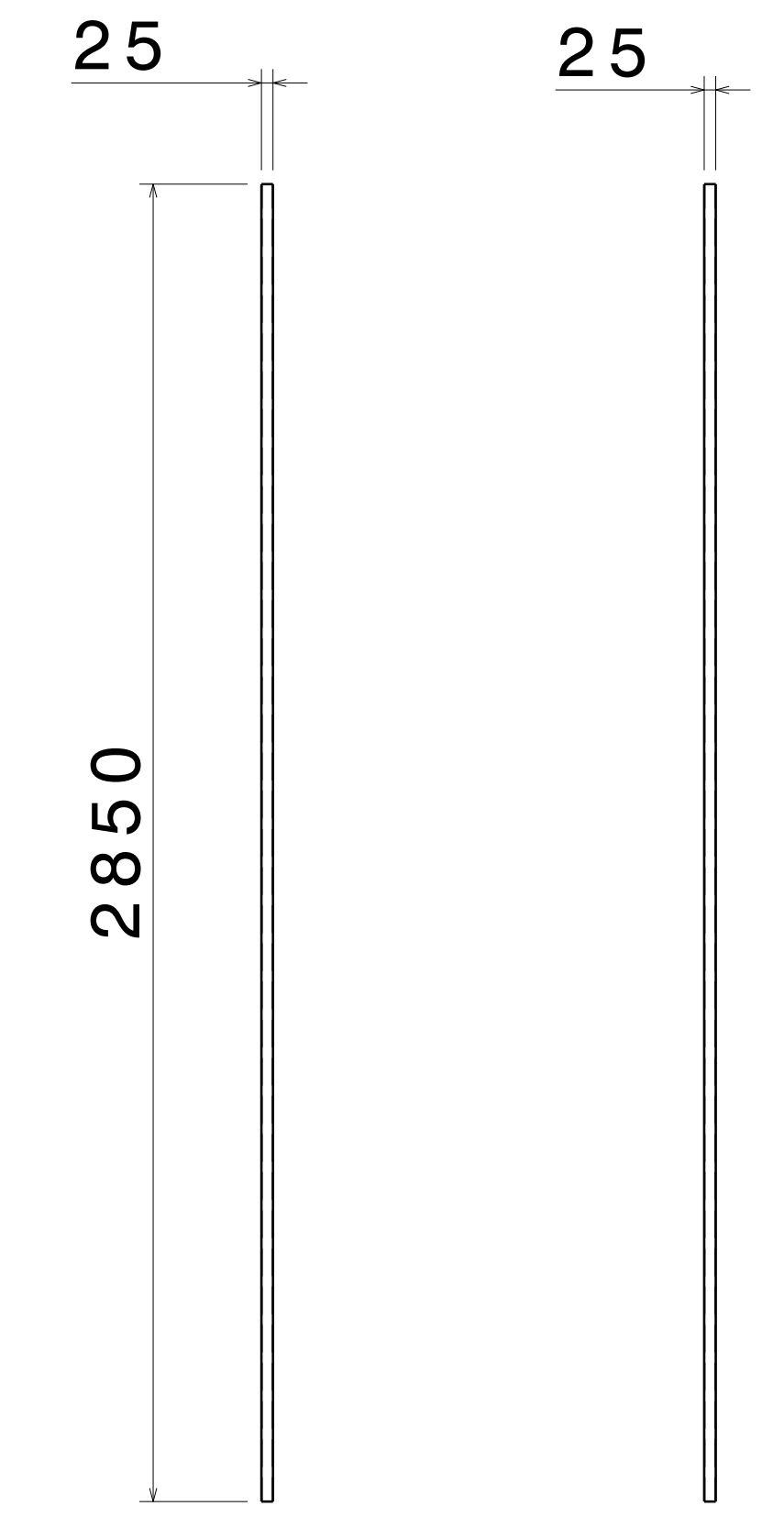
FRONT VIEW RIGHT VIEW
SCALE: 1:5 SCALE: 1:5

ITEM 4, RHS FRAME 2
THICKNESS -2.6 MM



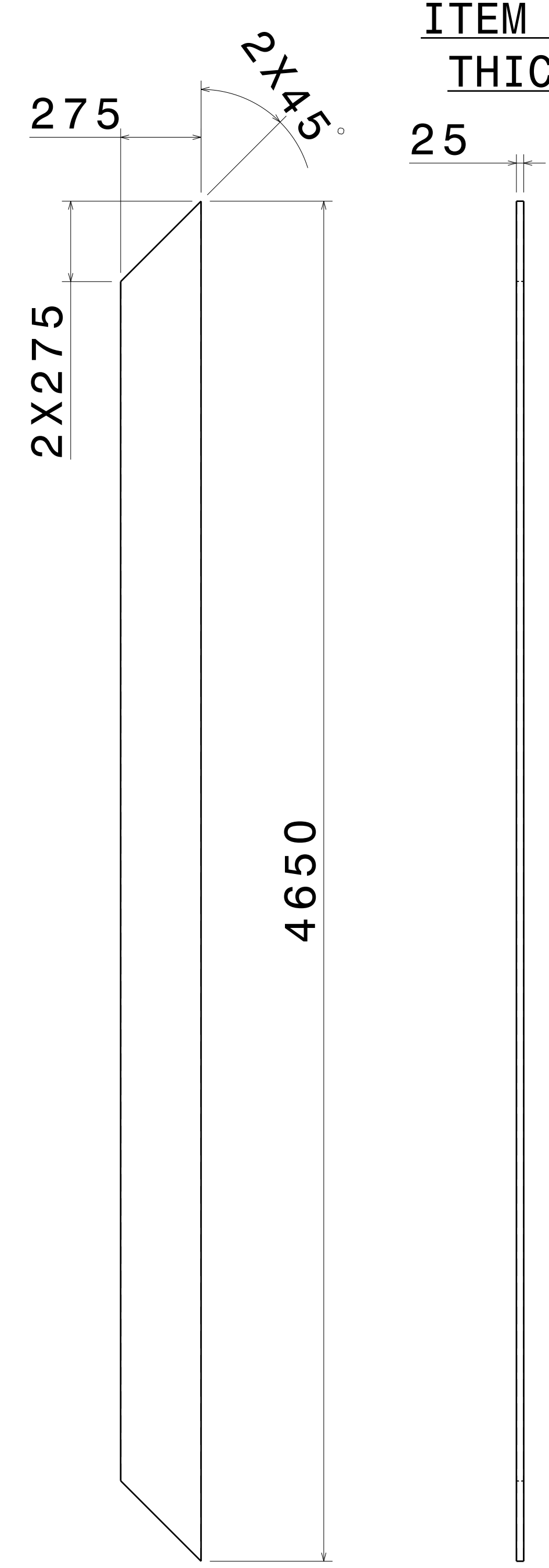
FRONT VIEW RIGHT VIEW
SCALE: 1:5 SCALE: 1:5

ITEM 5, RHS FRAME 3
THICKNESS -2.0 MM



FRONT VIEW RIGHT VIEW
SCALE: 1:15 SCALE: 1:15

ITEM 6, SHS FRAME 1
THICKNESS -1.6 MM



FRONT VIEW RIGHT VIEW
SCALE: 1:15 SCALE: 1:15

ITEM 7, RHS PLANK 3
THICKNESS -1.6 MM

UNLESS OTHERWISE SPECIFIED DIMENSION ARE IN MM
VIEWS: THIRD ANGLE PROJECTION

This drawing is our property. It can't be reproduced or communicated without our written agreement.		APL APOLLO TUBES LTD.	
DRAWN BY SB		DATE 30SEPT2020	
CHECKED BY P2P Analysis & Solutions		DATE 30SEPT2020	
DESIGNED BY P2P Analysis & Solutions		DATE 30SEPT2020	
DRAWING TITLE PATIO DESIGN_3		SIZE A0	DRAWING NUMBER P2P PATIO DESIGN_3
SCALE NONE		WEIGHT (kg) XXX	REV 00
		SHEET 3 OF 3	