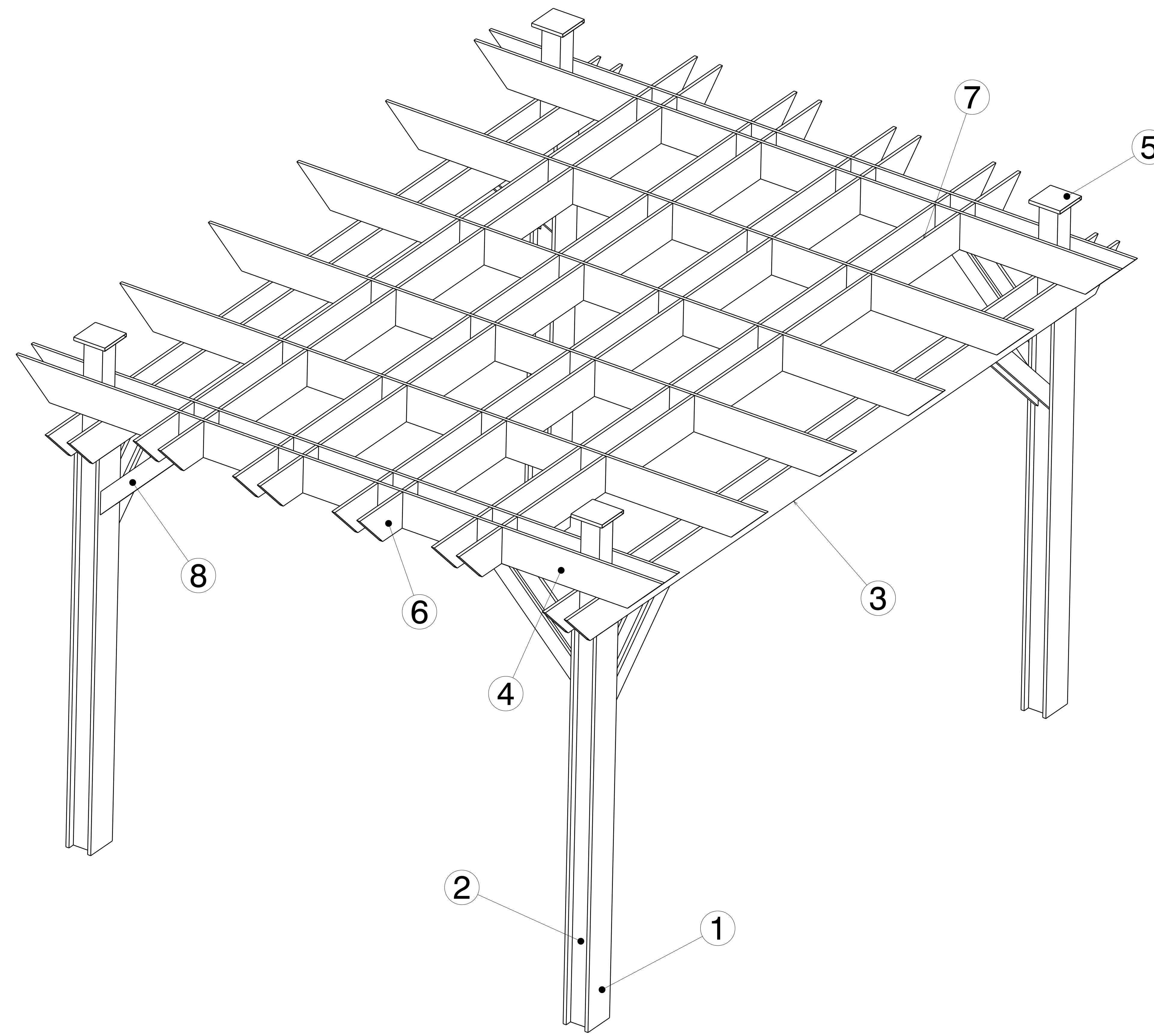


REV/DATE	DESCRIPTION
00 30SEPT2020	INITIAL REVISION

- NOTES:
- (⊥) ALL VERTICAL SUPPORTS ARE PERPENDICULAR.
 - FLATNESS OF .5MM IS APPLIED BY DEFAULT.
 - ⊲ WELD BEAD OF 2MM RADIUS IS FOLLOWED.
 - ▽ SURFACE FINISH MEDIUM TO SMOOTH IS USED.
 - ALL TUBES ARE AS PER APL APOLLO STANDARD. CHANGES MAY EFFECT THE LOAD CAPACITY.
 - ALL HORIZONTAL AND VERTICAL TUBES ARE PERPENDICULAR TO EACH OTHER WITH ±1 DEG.
 - FINE WELDING IS REQUIRED AS PER MENTIONED DETAILS AND FINISHING.
 - HIGHER CURRENT WELDING MAY AFFECT THE BRITTLINESS OF MATERIAL WHICH LATER MAY RAISE TO WEAKENING OF STRUCTURE.
 - FABRICATORS ARE ALLOWED TO USE FITTINGS/FRAMES/SUPPORTS AS NEEDED AND THE SAME MUST BE COMMUNICATED BACK TO ENGINEERING TEAM.
 - BOP COMPONENT WEIGHTS ARE FOR REFERENCE ONLY AND SUBJECTED TO CHANGE PER PURCHASED COMPONENTS.



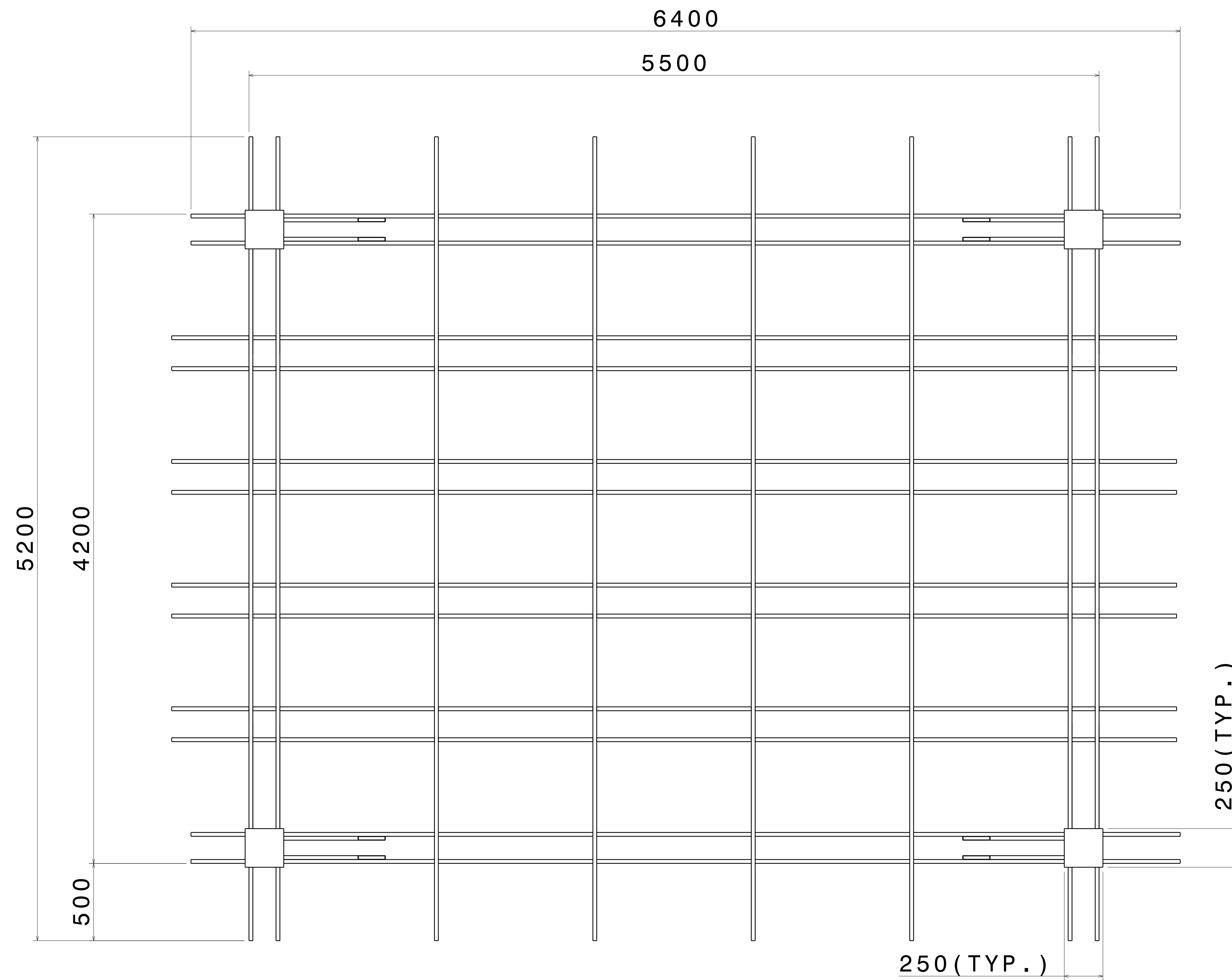
ISOMETRIC VIEW
SCALE:1:15

ITEM NO.	PART NUMBER	DESCRIPTION	QTY.	Wt (Kg)/Each
8	RHS PLANK 7	125 X 25 X 1.6 X 1000	16	3.23
7	RHS PLANK 6	275 X 25 X 1.6 X 1000	40	7.46
6	RHS PLANK 5	275 X 25 X 1.6 X 500	16	2.71
5	RHS PLANK 4	250 X 25 X 1.6 X 250	4	1.71
4	RHS PLANK 3	275 X 25 X 1.6 X 5200	8	36.76
3	RHS PLANK 2	275 X 25 X 1.6 X 6400	4	45.72
2	SHS FRAME 1	150 X 150 X 4 X 3825	4	70.23
1	RHS PLANK 1	250 X 25 X 1.6 X 3000	8	20.51

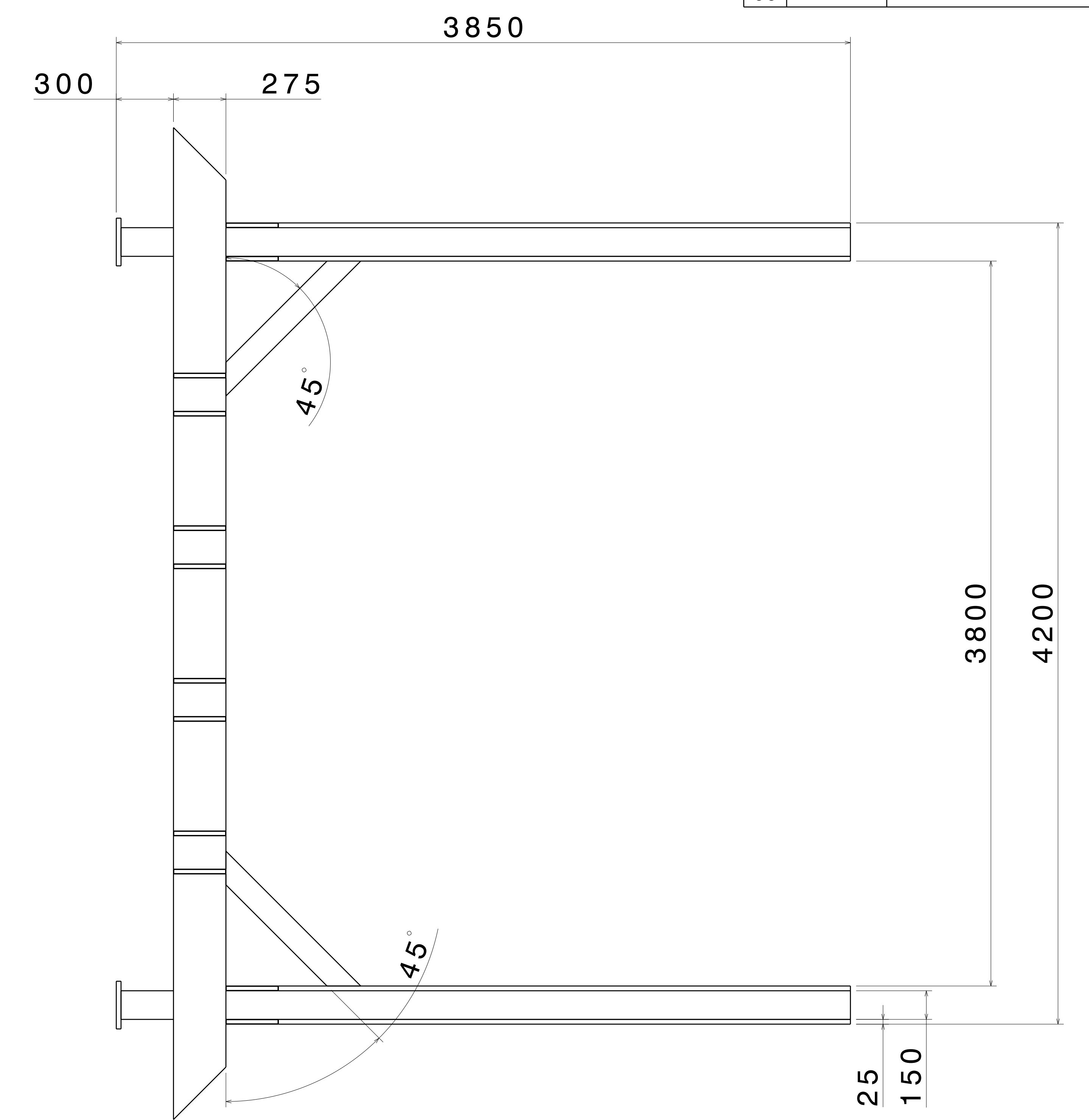
This drawing is our property. It can't be reproduced or communicated without our written agreement.		APL APOLLO TUBES LTD.	
DRAWING TITLE			
PATIO DESIGN 4			
DRAWN BY	DATE	SIZE	DRAWING NUMBER
VM	30SEPT2020	A0	P2P PATIO DESIGN 4
CHECKED BY	DATE	SCALE	REV
P2P Analysis & Solutions	30SEPT2020	As Indicated	00
DESIGNED BY	DATE	WEIGHT(kg)	SHEET 1 OF 3
P2P Analysis & Solutions	30SEPT2020	0kg	

UNLESS OTHERWISE SPECIFIED DIMENSION ARE IN MM
VIEWS: THIRD ANGLE PROJECTION

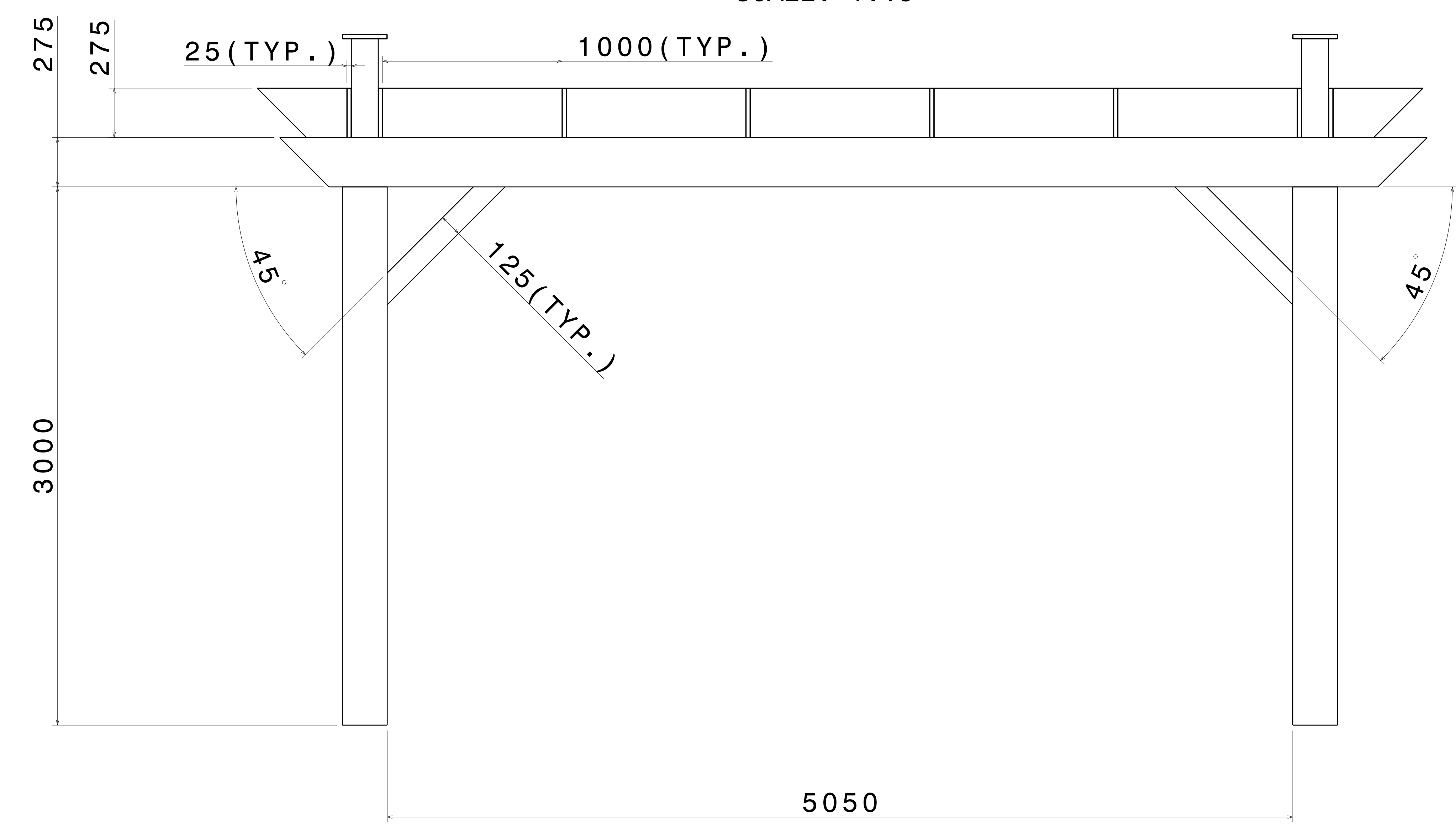
REV	DATE	DESCRIPTION
00	30SEPT2020	INITIAL REVISION



FRONT VIEW
SCALE: 1:15




RIGHT VIEW
SCALE: 1:15

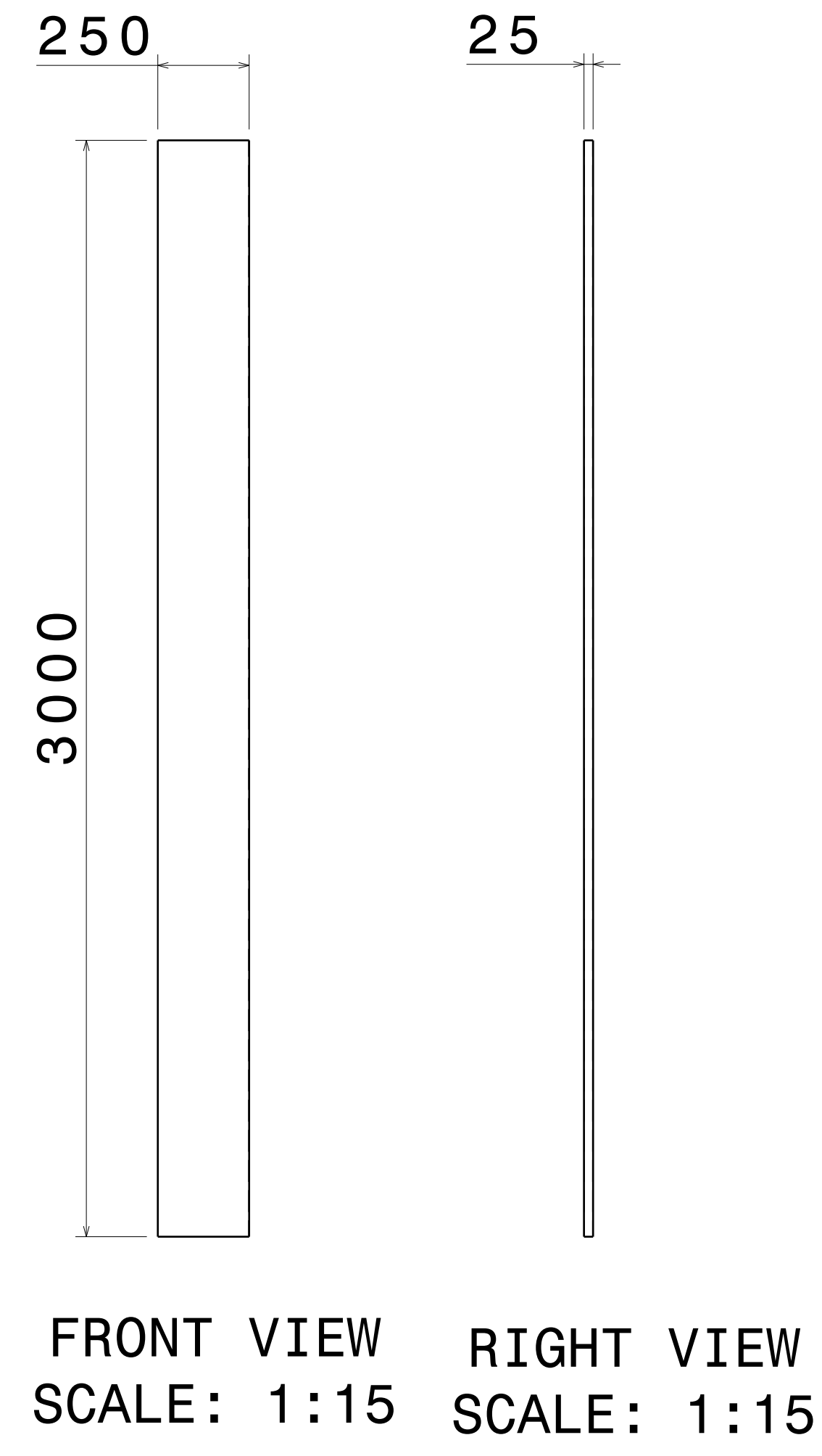


BOTTOM VIEW
SCALE: 1:15

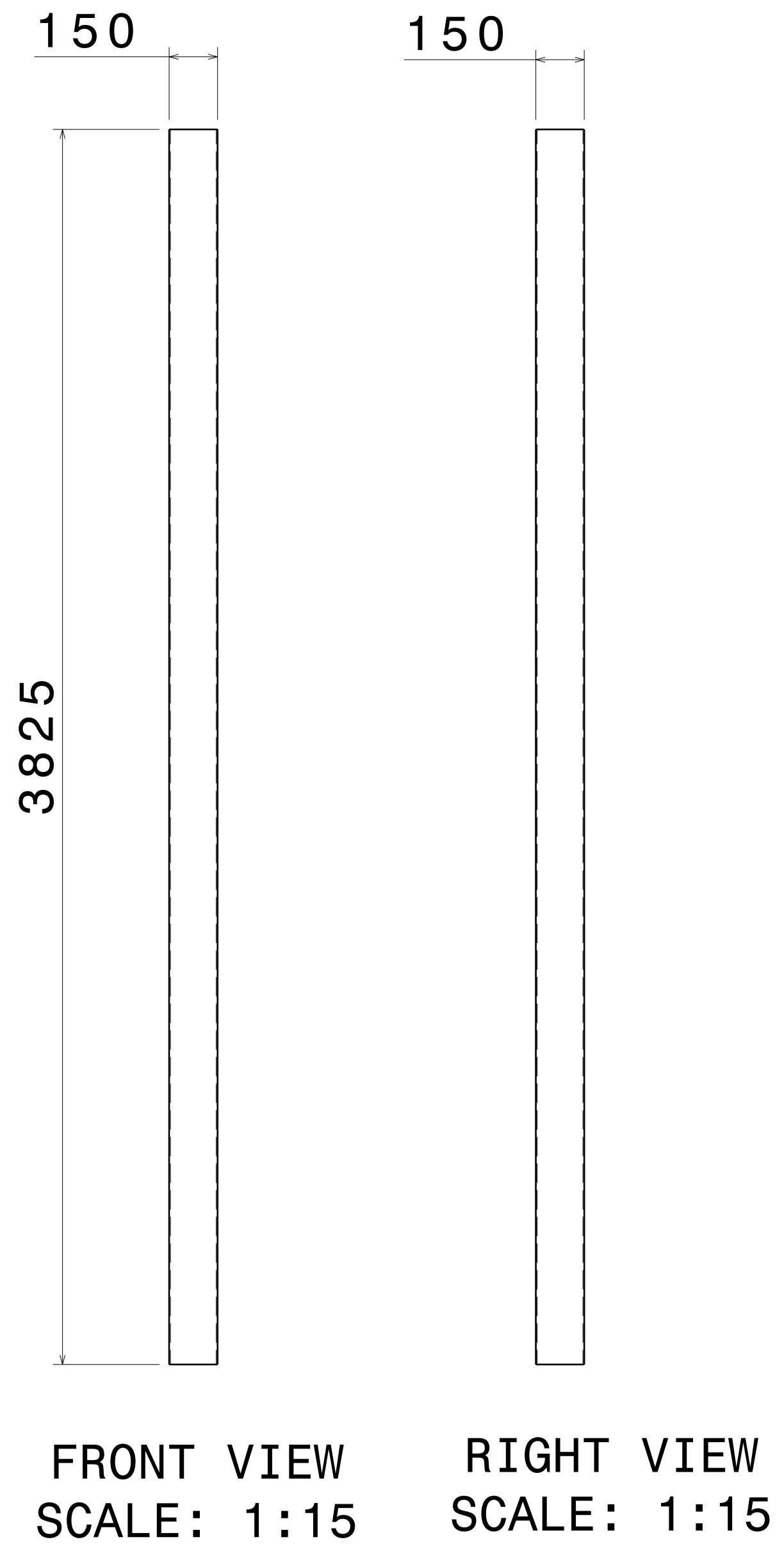
UNLESS OTHERWISE SPECIFIED DIMENSION ARE IN MM
VIEWS: THIRD ANGLE PROJECTION

This drawing is our property. It can't be reproduced or communicated without our written agreement.		APL APOLLO TUBES LTD. 	
DRAWN BY SB		DATE 30SEPT2020	
CHECKED BY P2P Analysis & Solutions		DATE 30SEPT2020	
DESIGNED BY P2P Analysis & Solutions		DATE 30SEPT2020	
DRAWING TITLE PATIO DESIGN 4		SIZE A0	DRAWING NUMBER P2P PATIO DESIGN 4
SCALE NONE		WEIGHT (kg) XXX	REV 00
		SHEET 2 OF 3	

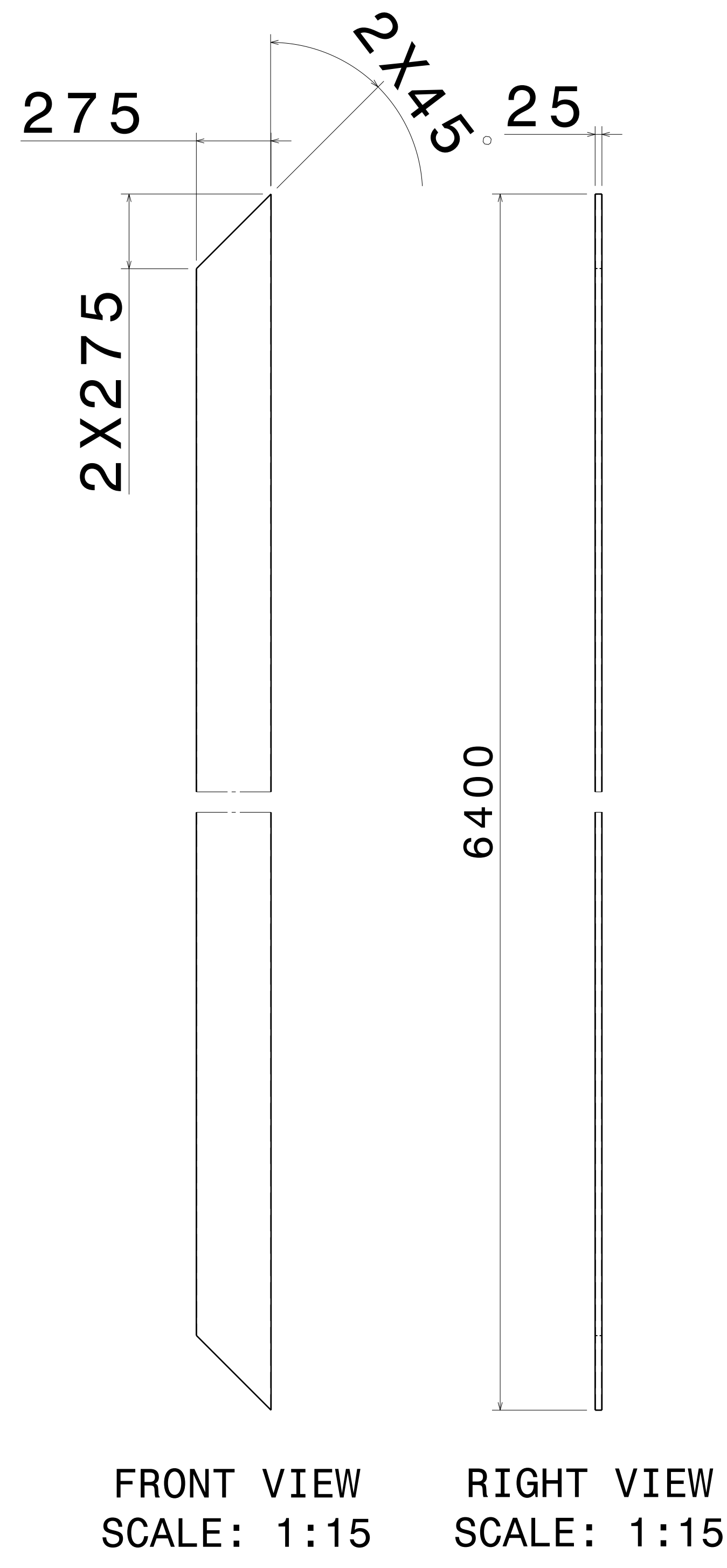
REV	DATE	DESCRIPTION
00	30SEPT2020	INITIAL REVISION



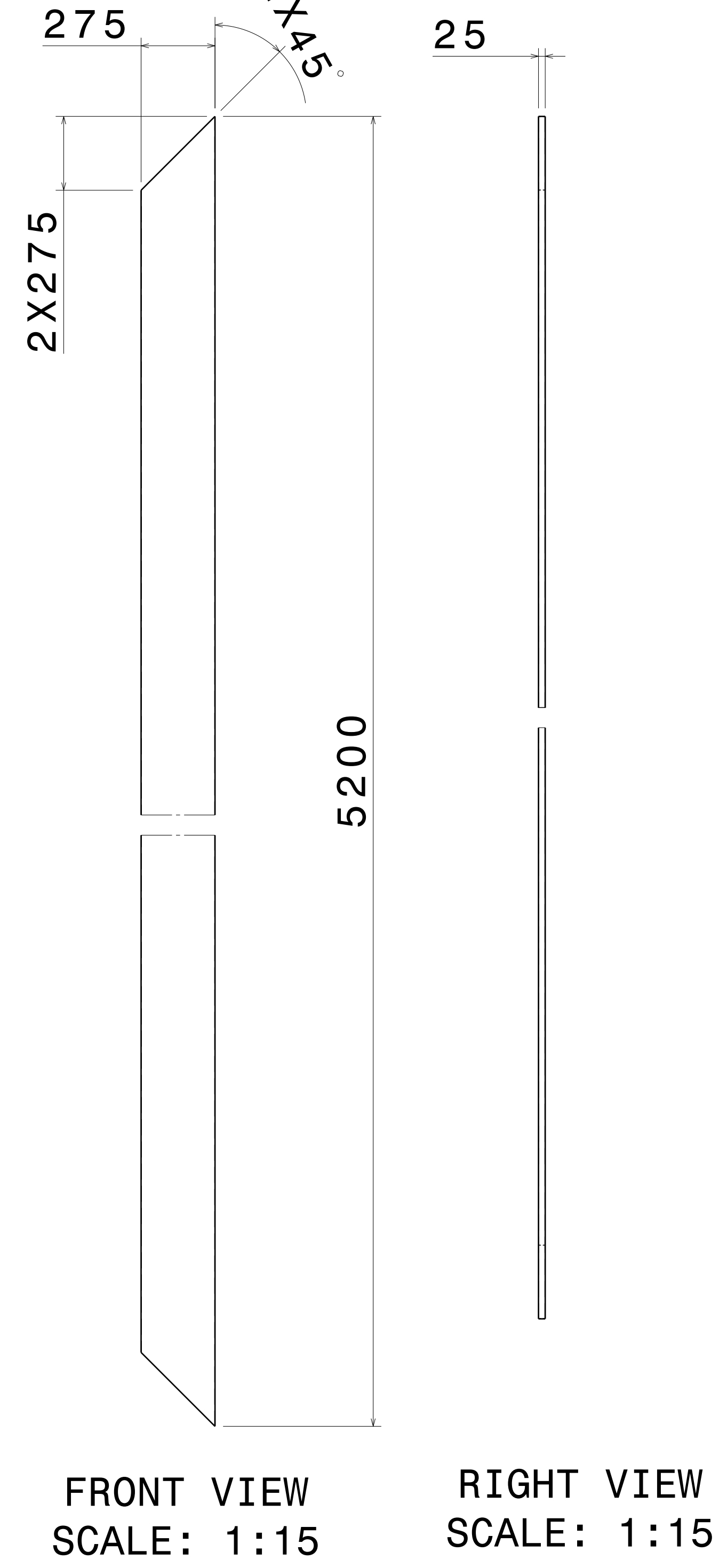
ITEM 1, RHS PLANK 1
THICKNESS -1.6 MM



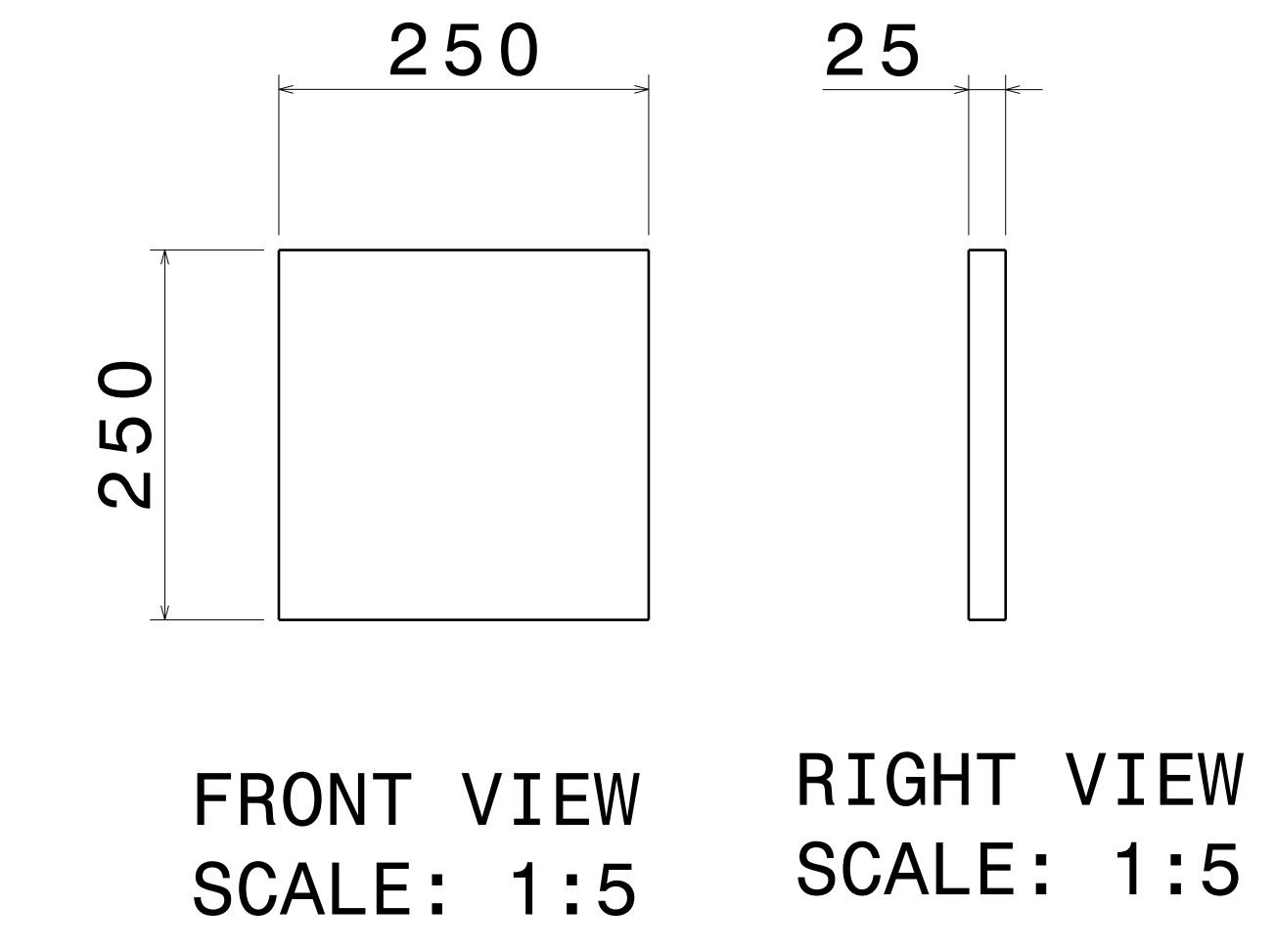
ITEM 2, SHS FRAME 1
THICKNESS -4.0 MM



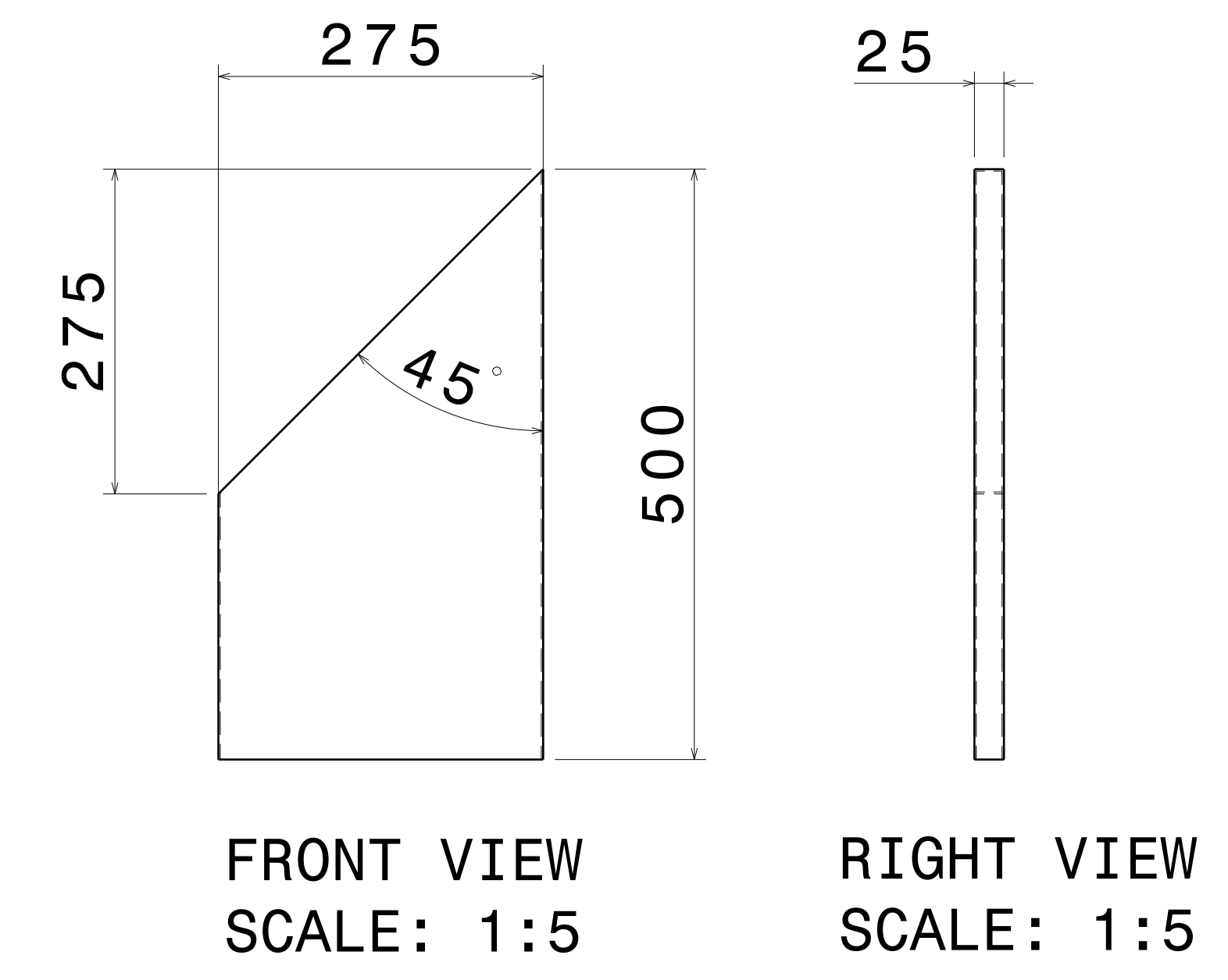
ITEM 3, RHS PLANK 2
THICKNESS -1.6 MM



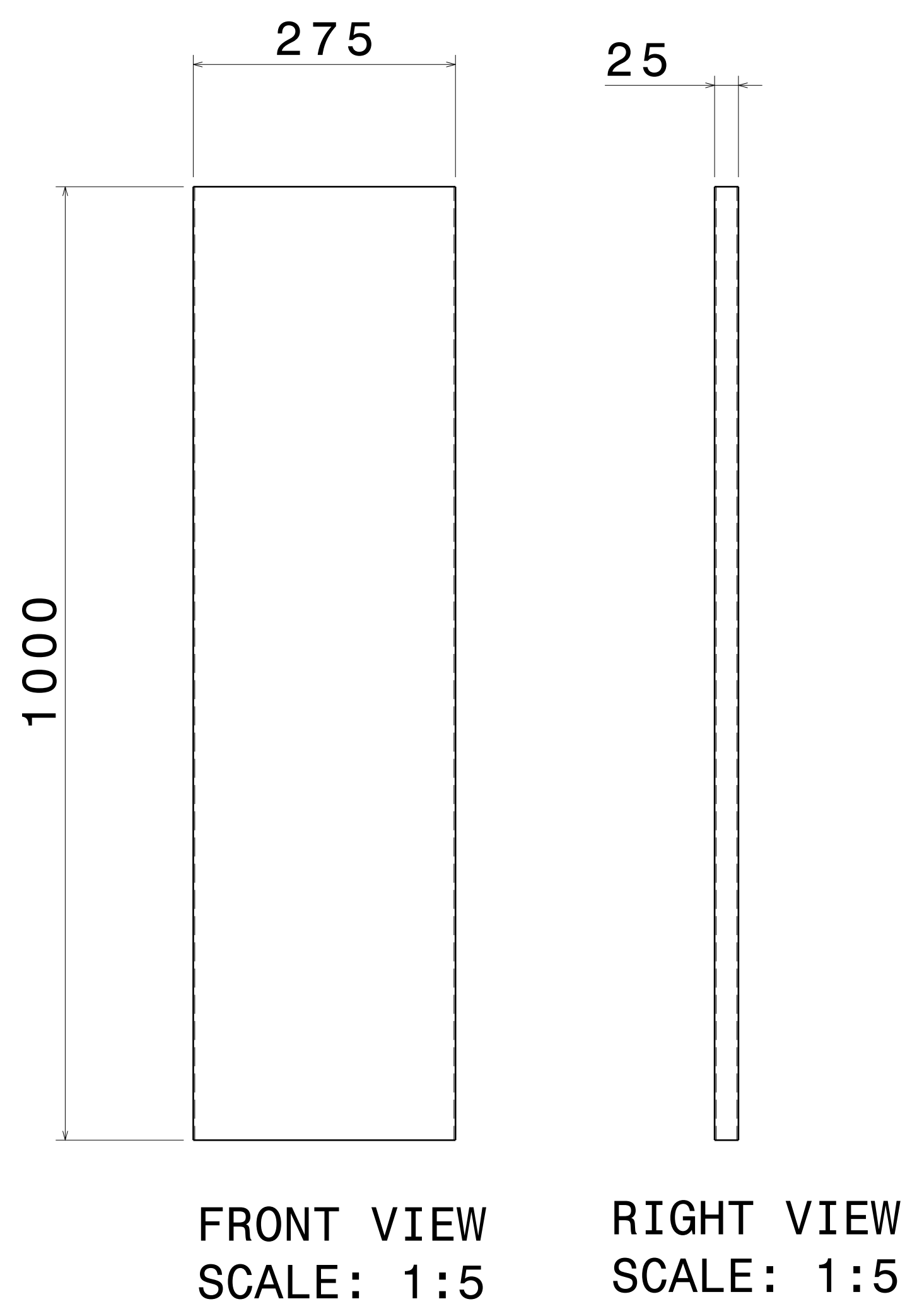
ITEM 4, RHS PLANK 3
THICKNESS -1.6 MM



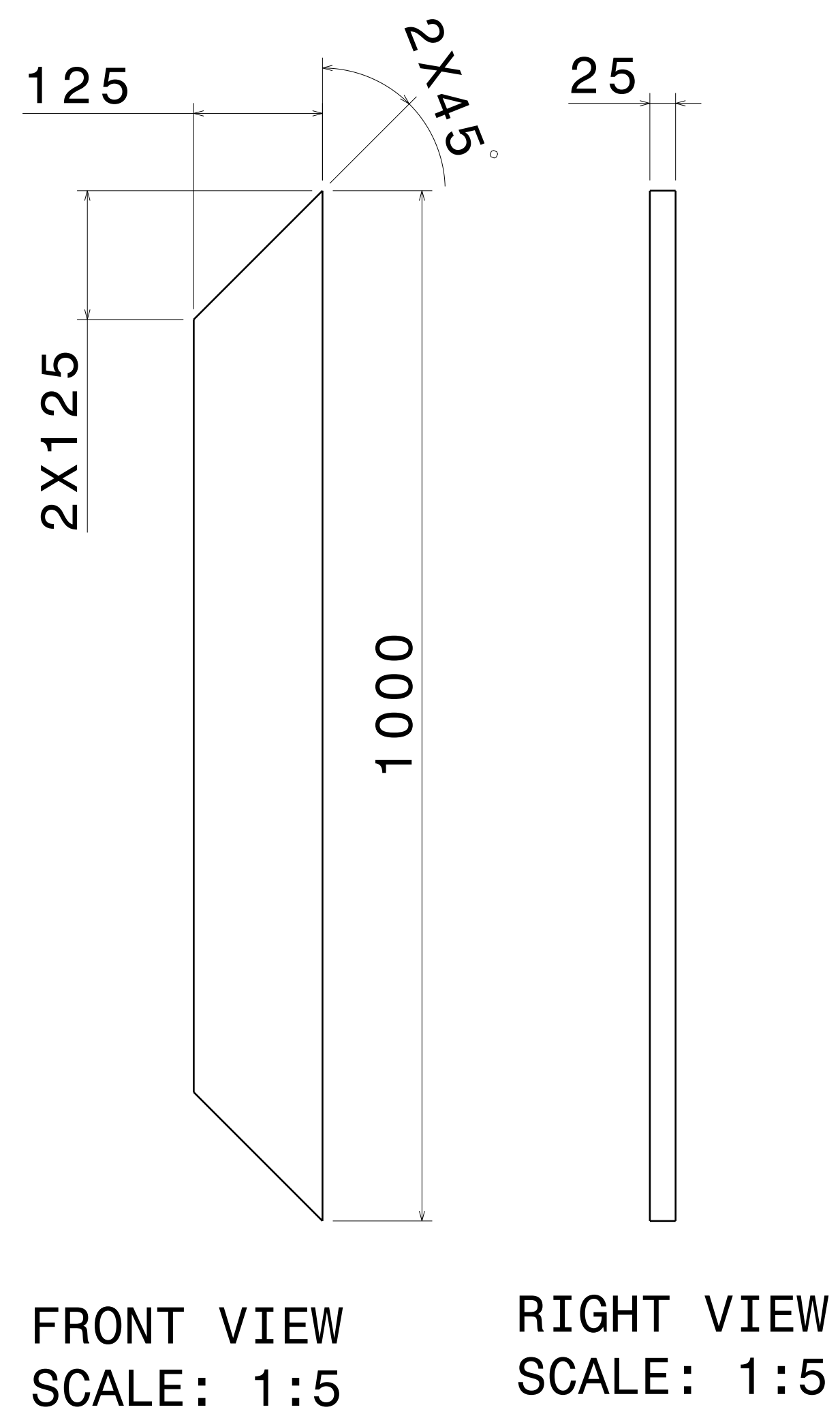
ITEM 5, RHS PLANK 4
THICKNESS -1.6 MM



ITEM 6, RHS PLANK 5
THICKNESS -1.6 MM




ITEM 7, RHS PLANK 6
THICKNESS -1.6 MM



ITEM 8, RHS PLANK 7
THICKNESS -1.6 MM

UNLESS OTHERWISE SPECIFIED DIMENSION ARE IN MM
VIEWS: THIRD ANGLE PROJECTION

This drawing is our property. It can't be reproduced or communicated without our written agreement.		APL APOLLO TUBES LTD. 	
DRAWN BY: SB		DRAWING TITLE: PATIO DESIGN 4	
CHECKED BY: P2P Analysis & Solutions		SIZE: A0	
DESIGNED BY: P2P Analysis & Solutions		DRAWING NUMBER: P2P PATIO DESIGN 4	
DATE: 30SEPT2020		REV: 00	
SCALE: NONE		WEIGHT (kg): XXX	
		SHEET 3 OF 3	