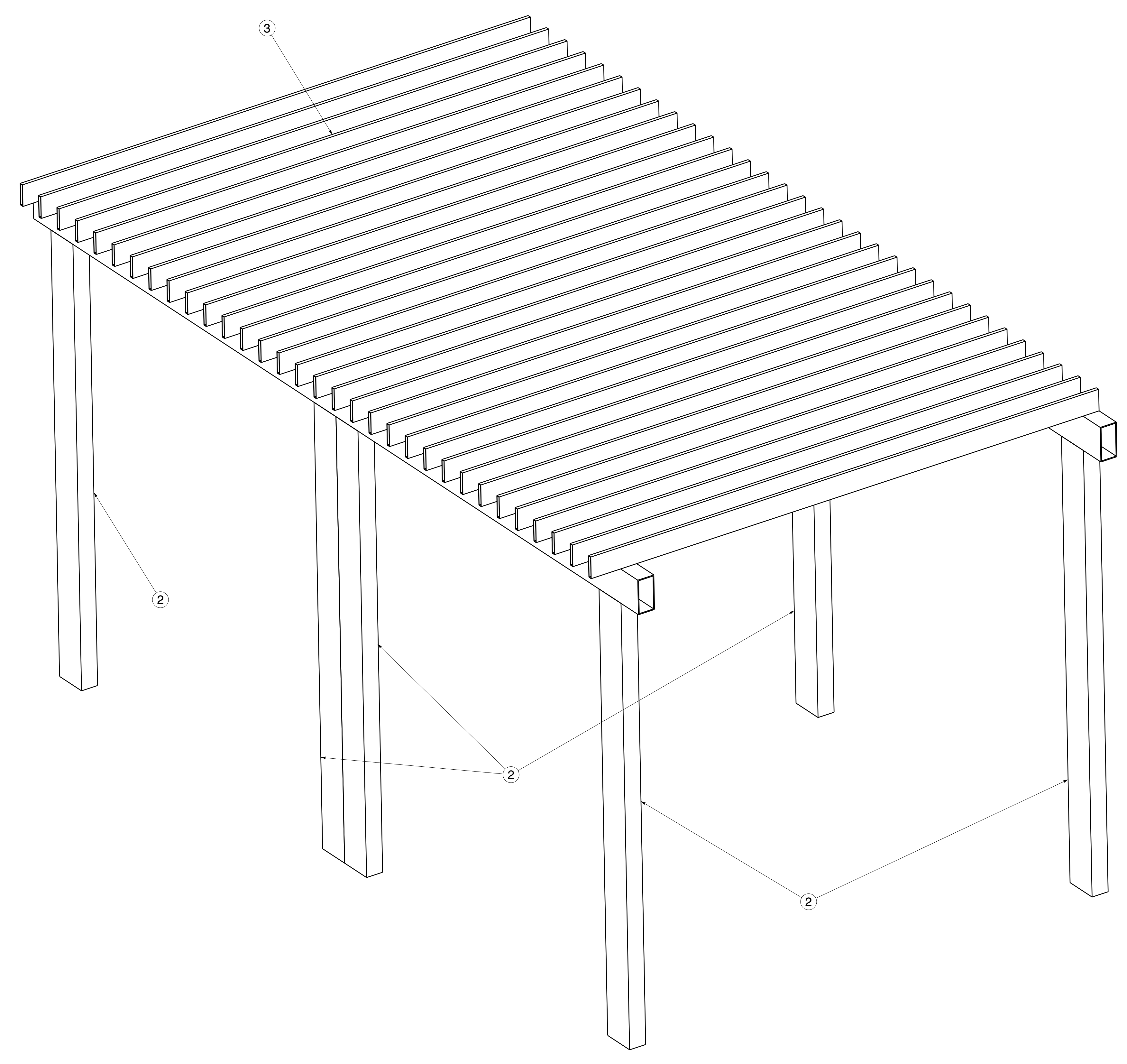
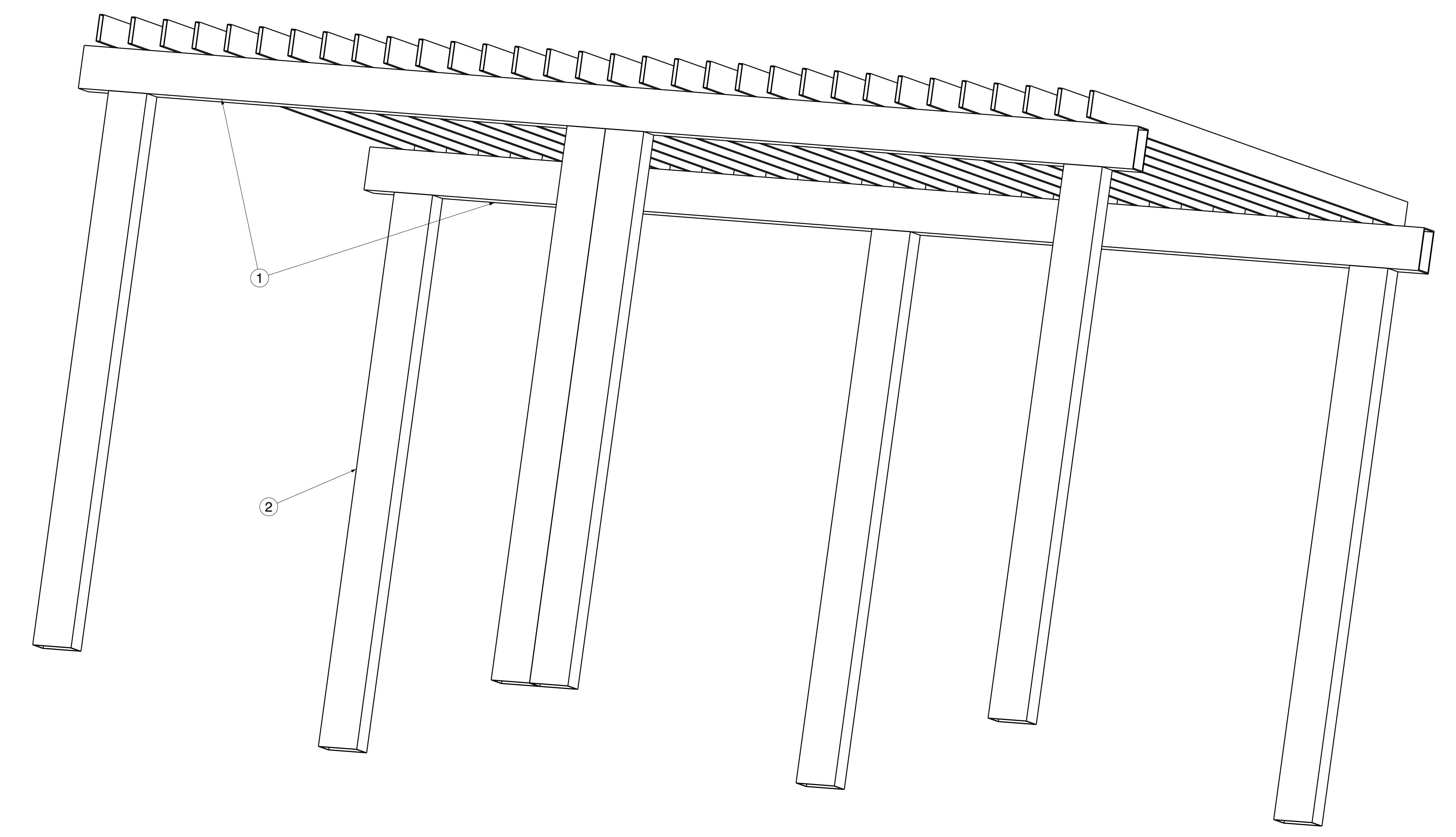


REV	DATE	DESCRIPTION
00	22SEP2020	INITIAL REVISION

- NOTES:
- (⊥) ALL VERTICAL SUPPORTS ARE PERPENDICULAR.
  - FLATNESS OF .5MM IS APPLIED BY DEFAULT.
  - ⊲ WELD BEAD OF 2MM RADIUS IS FOLLOWED.
  - ▽▽ SURFACE FINISH MEDIUM TO SMOOTH IS USED.
  - ALL TUBES ARE AS PER APL APOLLO STANDARD. CHANGES MAY EFFECT THE LOAD CAPACITY.
  - ALL HORIZONTAL AND VERTICAL TUBES ARE PERPENDICULAR TO EACH OTHER WITH ±1 DEG.
  - FINE WELDING IS REQUIRED AS PER MENTIONED DETAILS AND FINISHING.
  - HIGHER CURRENT WELDING MAY AFFECT THE BRITTLINESS OF MATERIAL WHICH LATER MAY RAISE TO WEAKENING OF STRUCTURE.
  - FABRICATORS ARE ALLOWED TO USE FITTINGS/FRAMES/SUPPORTS AS NEEDED AND THE SAME MUST BE COMMUNICATED BACK TO ENGINEERING TEAM.
  - BOP COMPONENT WEIGHTS ARE FOR REFERENCE ONLY AND SUBJECTED TO CHANGE PER PURCHASED COMPONENTS.




Isometric view-1

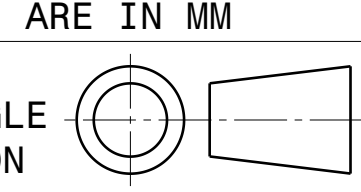


Isometric view-2

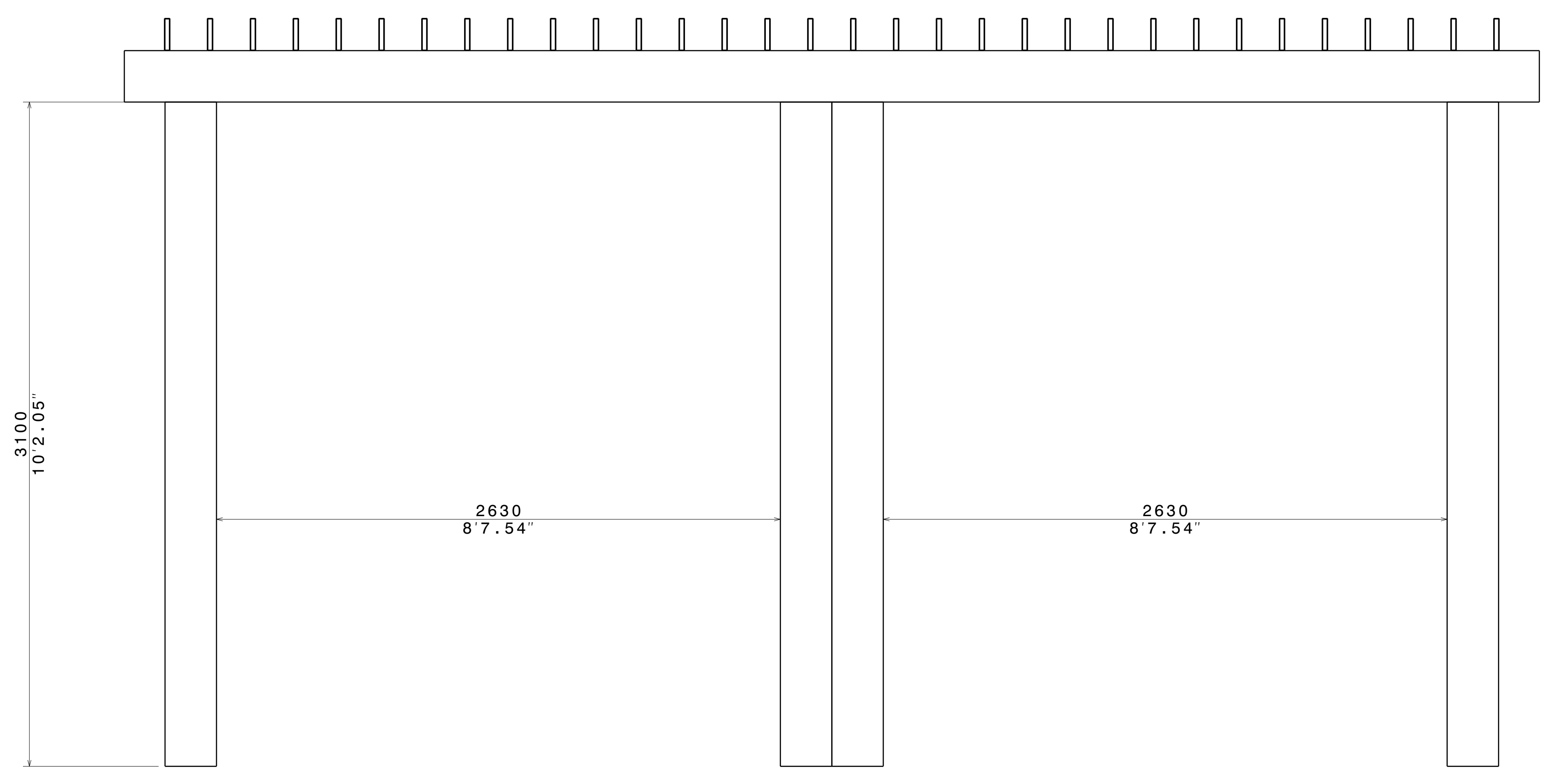
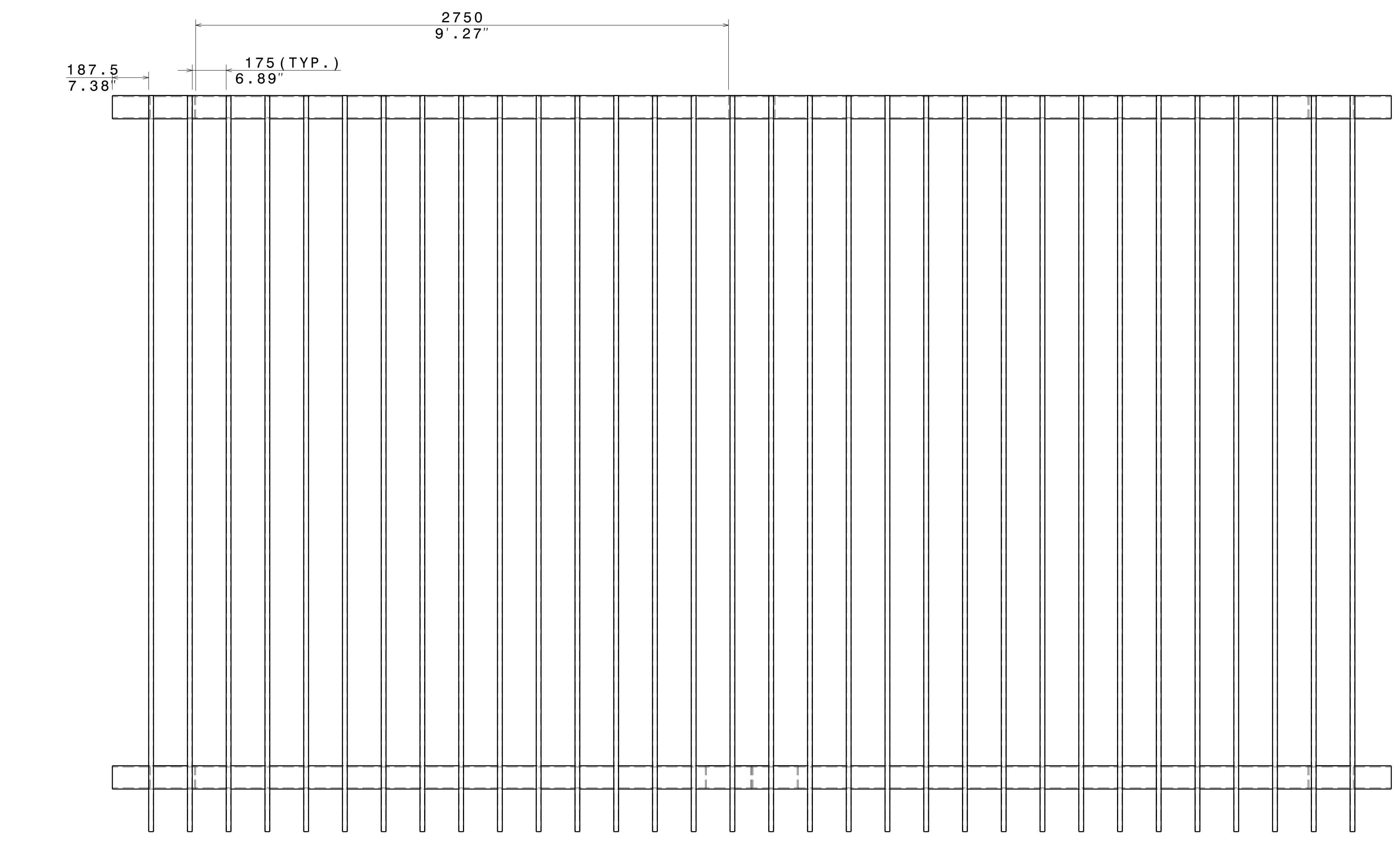
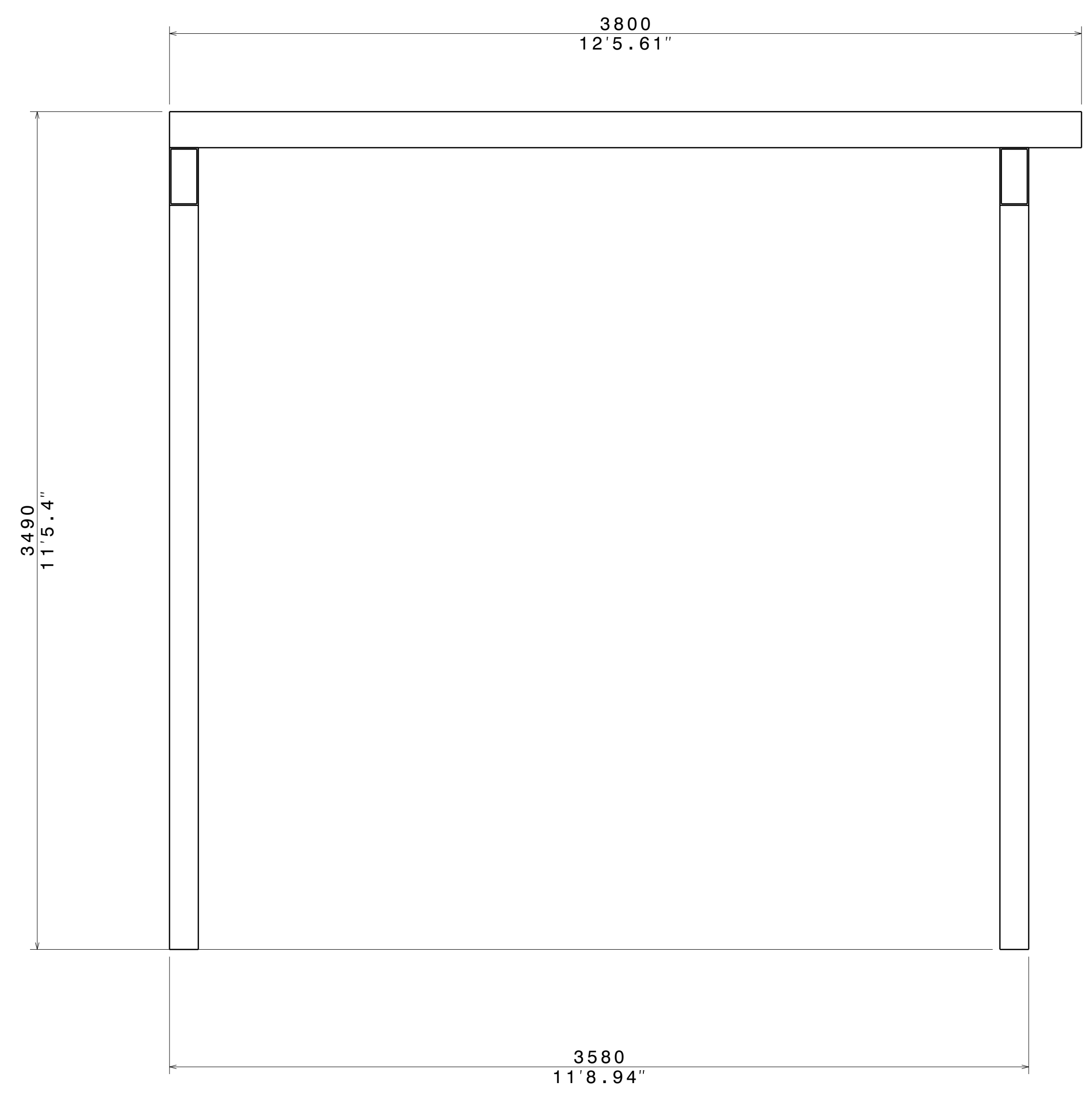
ITEM NO.	PART NUMBER	DESCRIPTION	QTY.	Wt (kg)/Each
3	Plank1	150 X 25 X 2 X 3150	32	20.4
2	Rect Tube Frame 2	220 X 120 X 6 X 3100	7	102
1	Rect Tube Frame 1	220 X 120 X 6 X 6660	2	217

This drawing is our property. It can't be reproduced or communicated without our written agreement.		<b>APL APOLLO TUBES LTD.</b> 	
DRAWN BY		DATE	
SB		22SEP2020	
CHECKED BY		DATE	
P2P Analysis & Solutions		22SEP2020	
DESIGNED BY		DATE	
P2P Analysis & Solutions		22SEP2020	
DRAWING TITLE		PATIO DESIGN 2	
SIZE	DRAWING NUMBER	REV	
A0	P2P PATIO DESIGN 2	00	
SCALE	WEIGHT(kg)	0kg	SHEET 1 OF 3
As Indicated			

UNLESS OTHERWISE SPECIFIED DIMENSION ARE IN MM  
 VIEWS: THIRD ANGLE PROJECTION



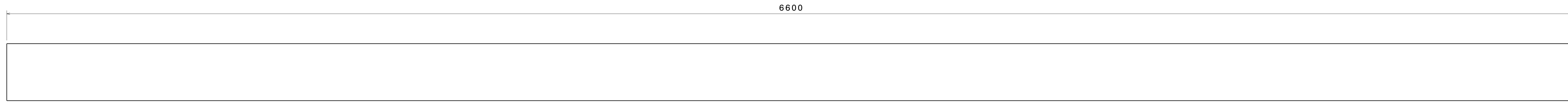
REV	DATE	DESCRIPTION
00	22SEP2020	INITIAL REVISION



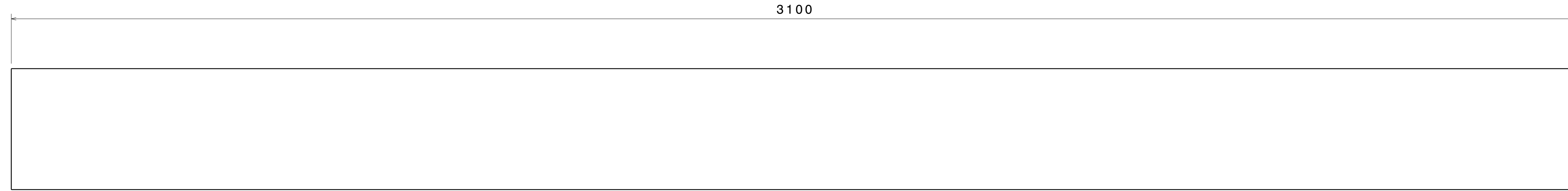
UNLESS OTHERWISE SPECIFIED DIMENSION ARE IN MM  
VIEWS: THIRD ANGLE PROJECTION

This drawing is our property. It can't be reproduced or communicated without our written agreement.		APL APOLLO TUBES LTD.	
DRAWN BY SB		DATE 22SEP2020	
CHECKED BY P2P Analysis & Solutions		DATE 22SEP2020	
DESIGNED BY P2P Analysis & Solutions		DATE 22SEP2020	
DRAWING TITLE PATIO DESIGN 2		SIZE A0	REV 00
SCALE NONE	WEIGHT (kg) XXX	SHEET 2 OF 3	

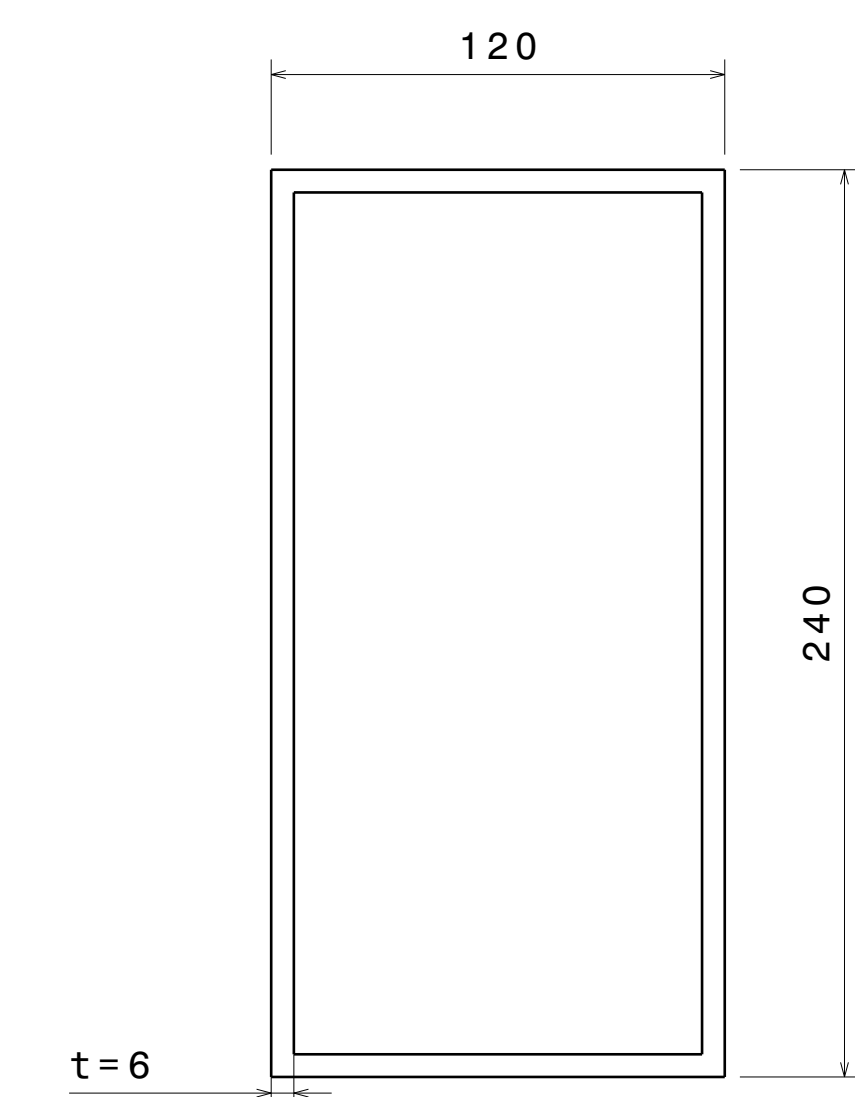
REV	DATE	DESCRIPTION
00	22SEP2020	INITIAL REVISION



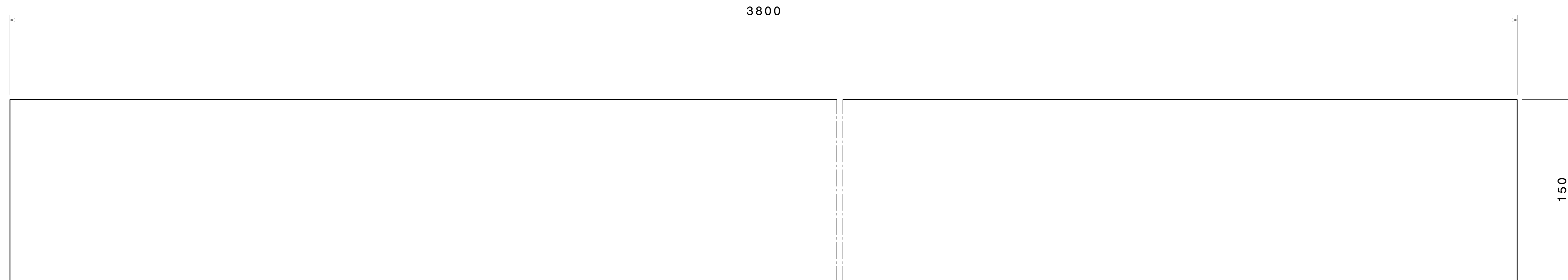
ITEM 1 DETAILS  
Rect Tube Frame 1



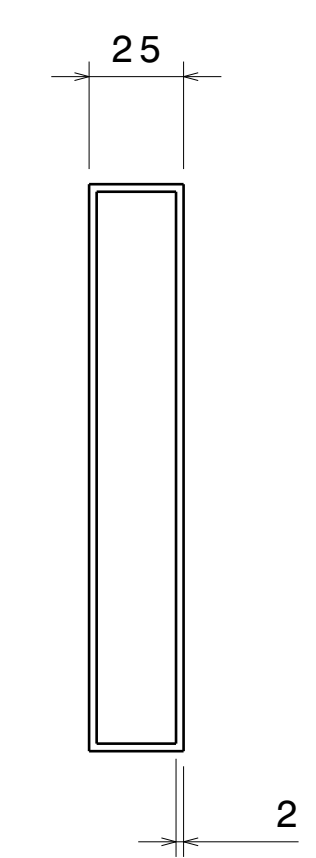
ITEM 2 DETAILS  
Rect Tube Frame 2




Section Detail of ITEM 1, & 2  
Scale: 1:2



ITEM 3 DETAILS  
PLANK 1



Right view  
Scale: 1:2

This drawing is our property. It can't be reproduced or communicated without our written agreement.		APL APOLLO TUBES LTD. 	
DRAWING TITLE			
DRAWN BY		DATE	
SB		22SEP2020	
CHECKED BY		DATE	
P2P Analysis & Solutions		22SEP2020	
DESIGNED BY		DATE	
P2P Analysis & Solutions		22SEP2020	
SIZE	DRAWING NUMBER	REV	
A0	P2P PATIO DESIGN 2	00	
SCALE	NONE	WEIGHT (kg)	XXX
			SHEET 3 OF 3

UNLESS OTHERWISE SPECIFIED DIMENSION ARE IN MM  
VIEWS: THIRD ANGLE PROJECTION

