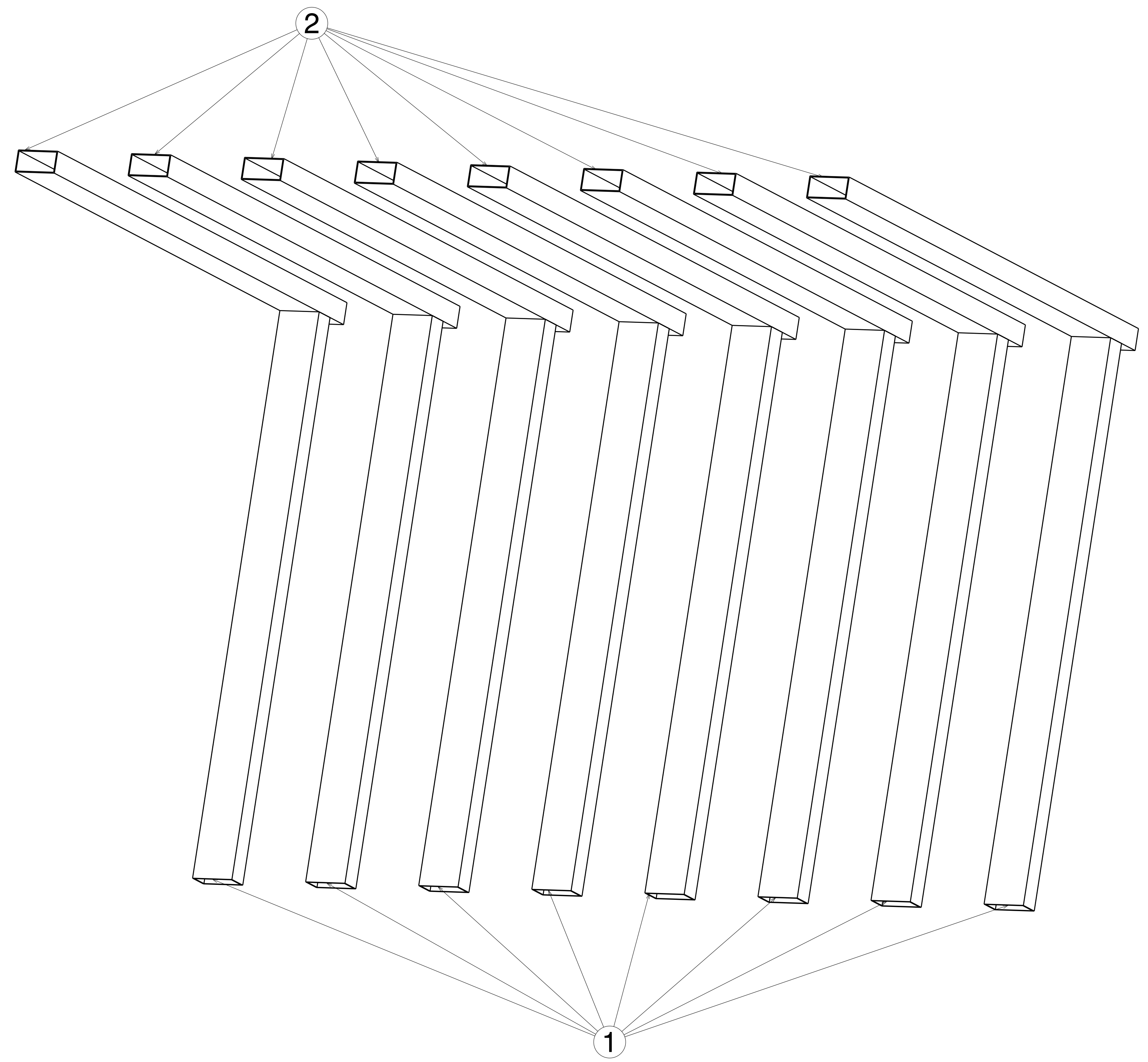
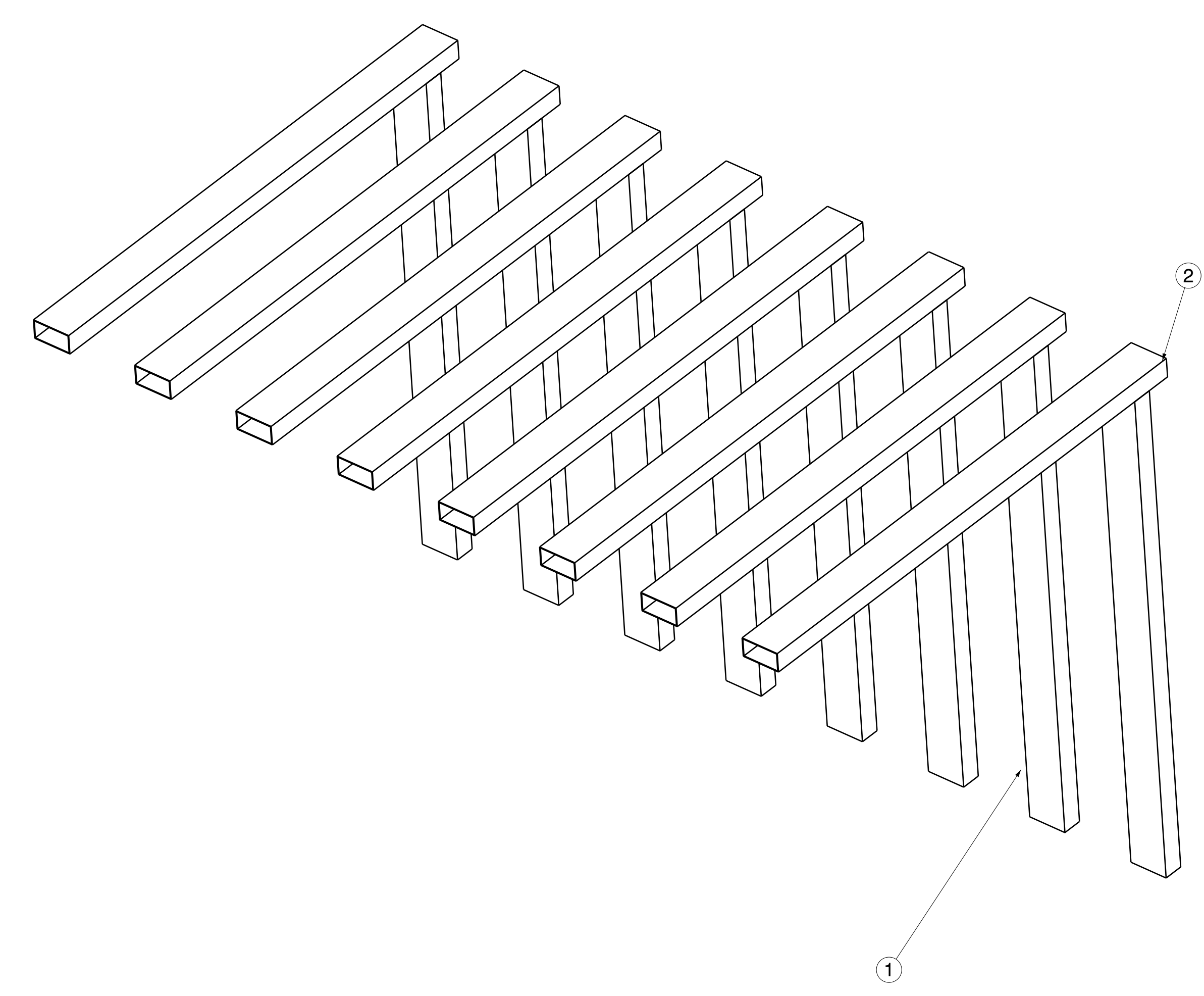


REV/DATE	DESCRIPTION
00 / 25SEP2020	INITIAL REVISION

- NOTES:
- (⊥) ALL VERTICAL SUPPORTS ARE PERPENDICULAR.
  - FLATNESS OF .5MM IS APPLIED BY DEFAULT.
  - ⊲ WELD BEAD OF 2MM RADIUS IS FOLLOWED.
  - ▽▽ SURFACE FINISH MEDIUM TO SMOOTH IS USED.
  - ALL TUBES ARE AS PER APL APOLLO STANDARD. CHANGES MAY EFFECT THE LOAD CAPACITY.
  - ALL HORIZONTAL AND VERTICAL TUBES ARE PERPENDICULAR TO EACH OTHER WITH ±1 DEG.
  - FINE WELDING IS REQUIRED AS PER MENTIONED DETAILS AND FINISHING.
  - HIGHER CURRENT WELDING MAY AFFECT THE BRITTLENESS OF MATERIAL WHICH LATER MAY RAISE TO WEAKENING OF STRUCTURE.
  - FABRICATORS ARE ALLOWED TO USE FITTINGS/FRAMES/SUPPORTS AS NEEDED AND THE SAME MUST BE COMMUNICATED BACK TO ENGINEERING TEAM.
  - BOP COMPONENT WEIGHTS ARE FOR REFERENCE ONLY AND SUBJECTED TO CHANGE PER PURCHASED COMPONENTS.




Isometric view-1



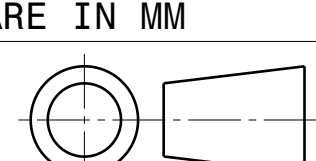
Isometric view-2

ITEM NO.	PART NUMBER	DESCRIPTION	QTY.	Wt (kg)/Each
2	Rect Tube Frame 2	240 X 120 X 5 X 3200	8	88
1	Rect Tube Frame 1	240 X 120 X 7 X 3100	8	118

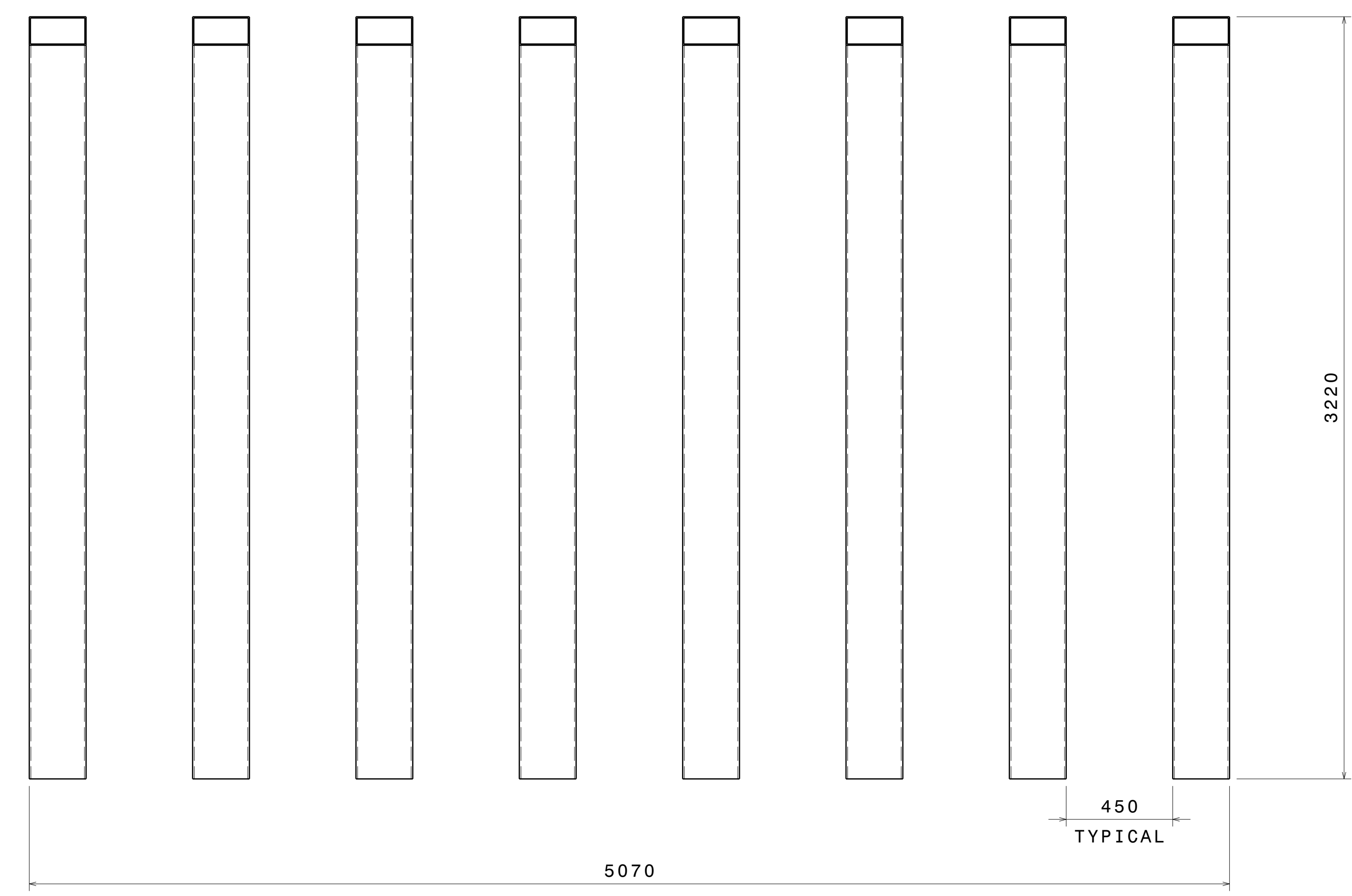
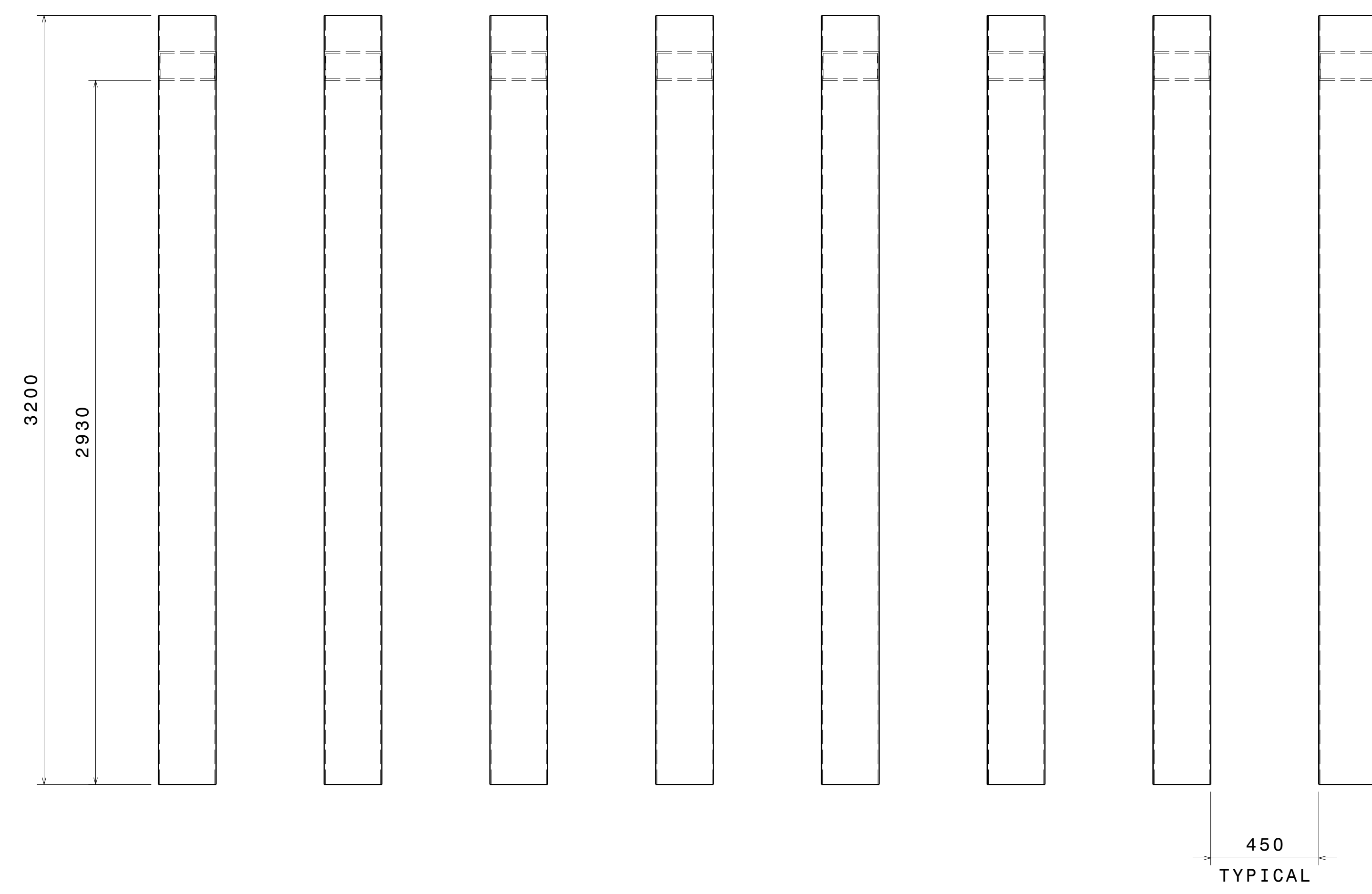
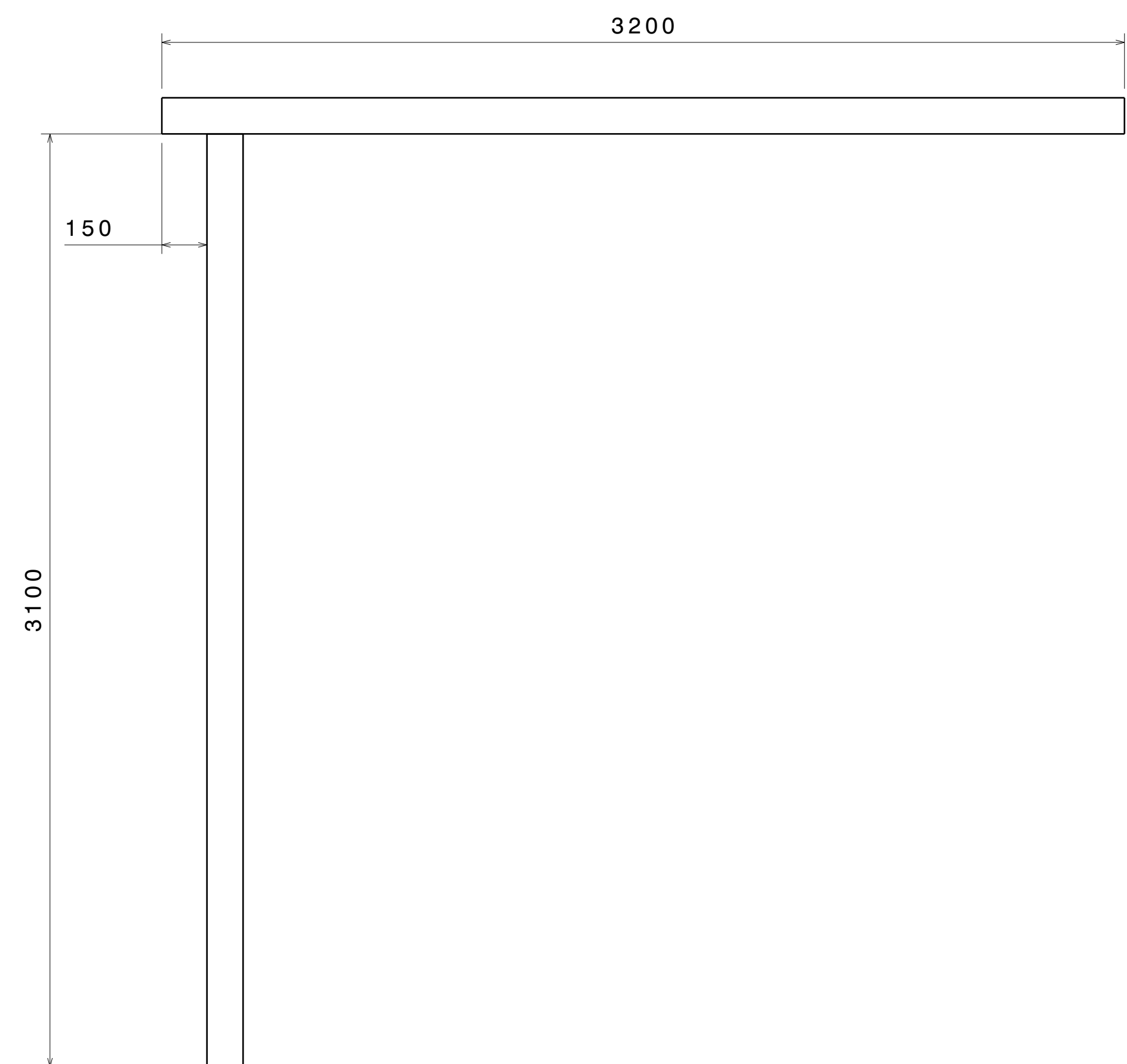
  

This drawing is our property. It can't be reproduced or communicated without our written agreement.		<b>APL APOLLO TUBES LTD.</b> 	
DRAWING TITLE			
<b>PATIO DESIGN 7</b>			
DRAWN BY	DATE	SIZE	DRAWING NUMBER
SB	25SEP2020	A0	P2P PATIO DESIGN 7
CHECKED BY	DATE	SCALE	REV
P2P Analysis & Solutions	25SEP2020	As Indicated	00
DESIGNED BY	DATE	WEIGHT (kg)	SHEET 1 OF 3
P2P Analysis & Solutions	25SEP2020	0kg	

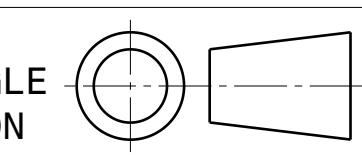
UNLESS OTHERWISE SPECIFIED DIMENSION ARE IN MM  
 VIEWS: THIRD ANGLE PROJECTION



REV	DATE	DESCRIPTION
00	25SEP2020	INITIAL REVISION



UNLESS OTHERWISE SPECIFIED DIMENSION ARE IN MM  
 VIEWS: THIRD ANGLE PROJECTION



This drawing is our property. It can't be reproduced or communicated without our written agreement.

DRAWN BY	DATE
SB	25SEP2020
CHECKED BY	DATE
P2P Analysis & Solutions	25SEP2020
DESIGNED BY	DATE
P2P Analysis & Solutions	25SEP2020

APL APOLLO TUBES LTD. 

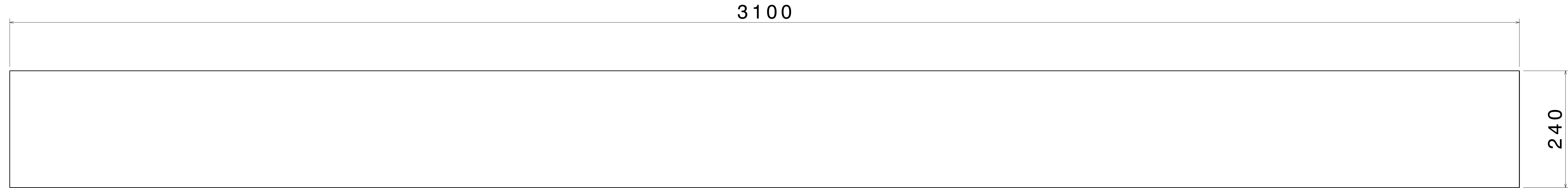
DRAWING TITLE

PATIO DESIGN 7

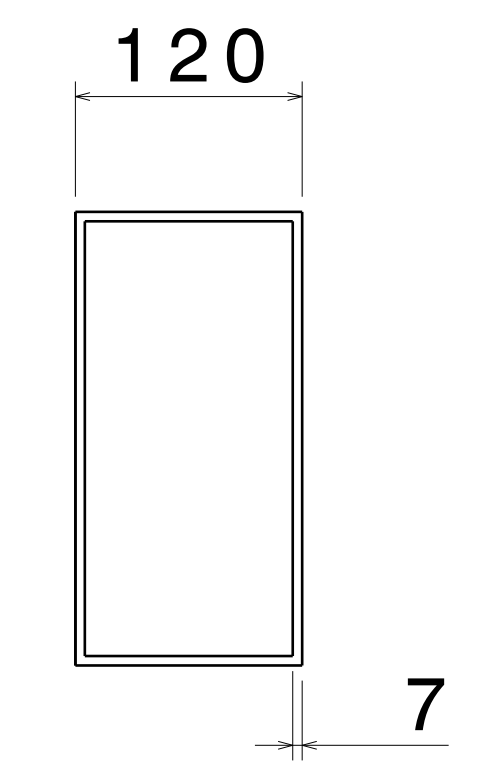
SIZE	DRAWING NUMBER	REV
A0	P2P PATIO DESIGN 7	00
SCALE	NONE	WEIGHT (kg) XXX

SHEET 2 OF 3

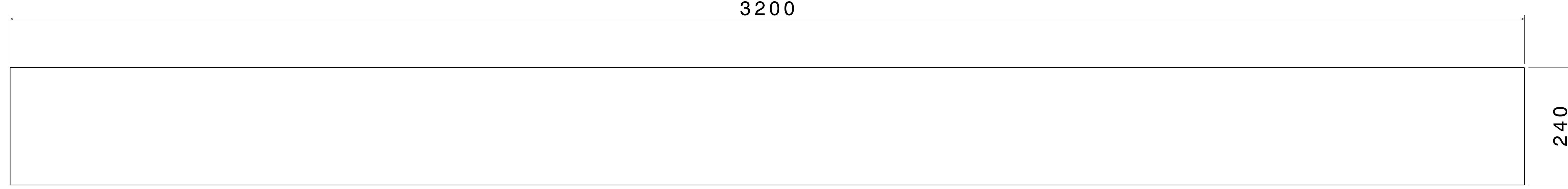
REV	DATE	DESCRIPTION
00	25SEP2020	INITIAL REVISION



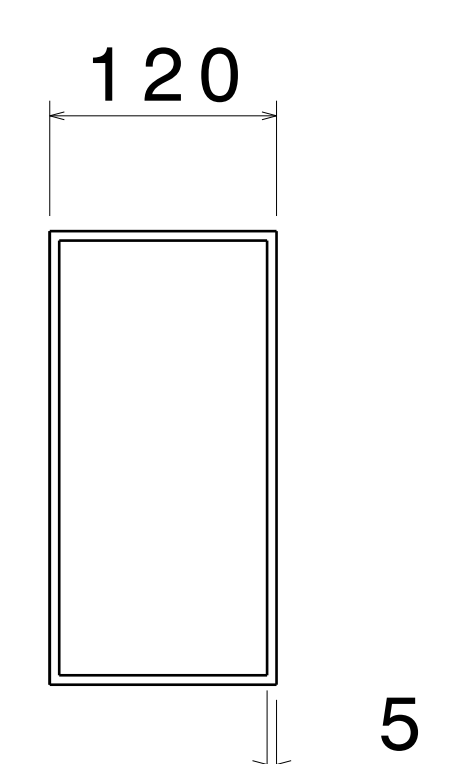
ITEM 1, DETAILS



RIGHT VIEW



ITEM 2, DETAILS



RIGHT VIEW

UNLESS OTHERWISE SPECIFIED DIMENSION ARE IN MM  
 VIEWS: THIRD ANGLE PROJECTION

This drawing is our property. It can't be reproduced or communicated without our written agreement.		APL APOLLO TUBES LTD.	
DRAWN BY SB		DATE 25SEP2020	
CHECKED BY P2P Analysis & Solutions		DATE 25SEP2020	
DESIGNED BY P2P Analysis & Solutions		DATE 25SEP2020	
DRAWING TITLE PATIO DESIGN 7		SIZE A0	DRAWING NUMBER P2P PATIO DESIGN 7
SCALE NONE		WEIGHT (kg) XXX	REV 00
		SHEET 3 OF 3	