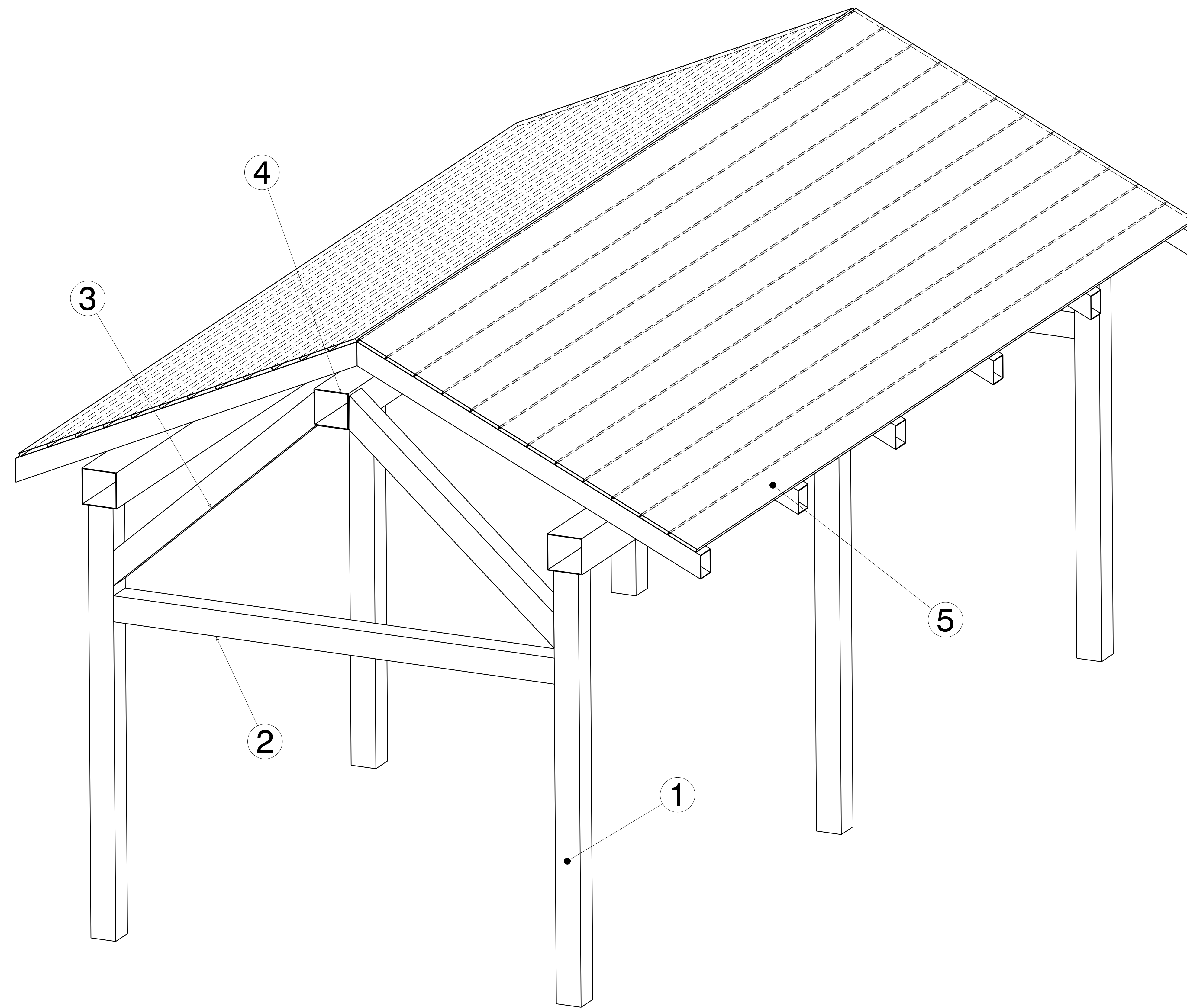


REV	DATE	DESCRIPTION
00	14OCT2020	INITIAL REVISION

- NOTES:
- (⊥) ALL VERTICAL SUPPORTS ARE PERPENDICULAR.
 - FLATNESS OF .5MM IS APPLIED BY DEFAULT.
 - ⊲ WELD BEAD OF 2MM RADIUS IS FOLLOWED.
 - ▽▽ SURFACE FINISH MEDIUM TO SMOOTH IS USED.
 - ALL TUBES ARE AS PER APL APOLLO STANDARD. CHANGES MAY EFFECT THE LOAD CAPACITY.
 - ALL HORIZONTAL AND VERTICAL TUBES ARE PERPENDICULAR TO EACH OTHER WITH ±1 DEG.
 - FINE WELDING IS REQUIRED AS PER MENTIONED DETAILS AND FINISHING.
 - HIGHER CURRENT WELDING MAY AFFECT THE BRITTLNESS OF MATERIAL WHICH LATER MAY RAISE TO WEAKENING OF STRUCTURE.
 - FABRICATORS ARE ALLOWED TO USE FITTINGS/FRAMES/SUPPORTS AS NEEDED AND THE SAME MUST BE COMMUNICATED BACK TO ENGINEERING TEAM.
 - BOP COMPONENT WEIGHTS ARE FOR REFERENCE ONLY AND SUBJECTED TO CHANGE PER PURCHASED COMPONENTS.



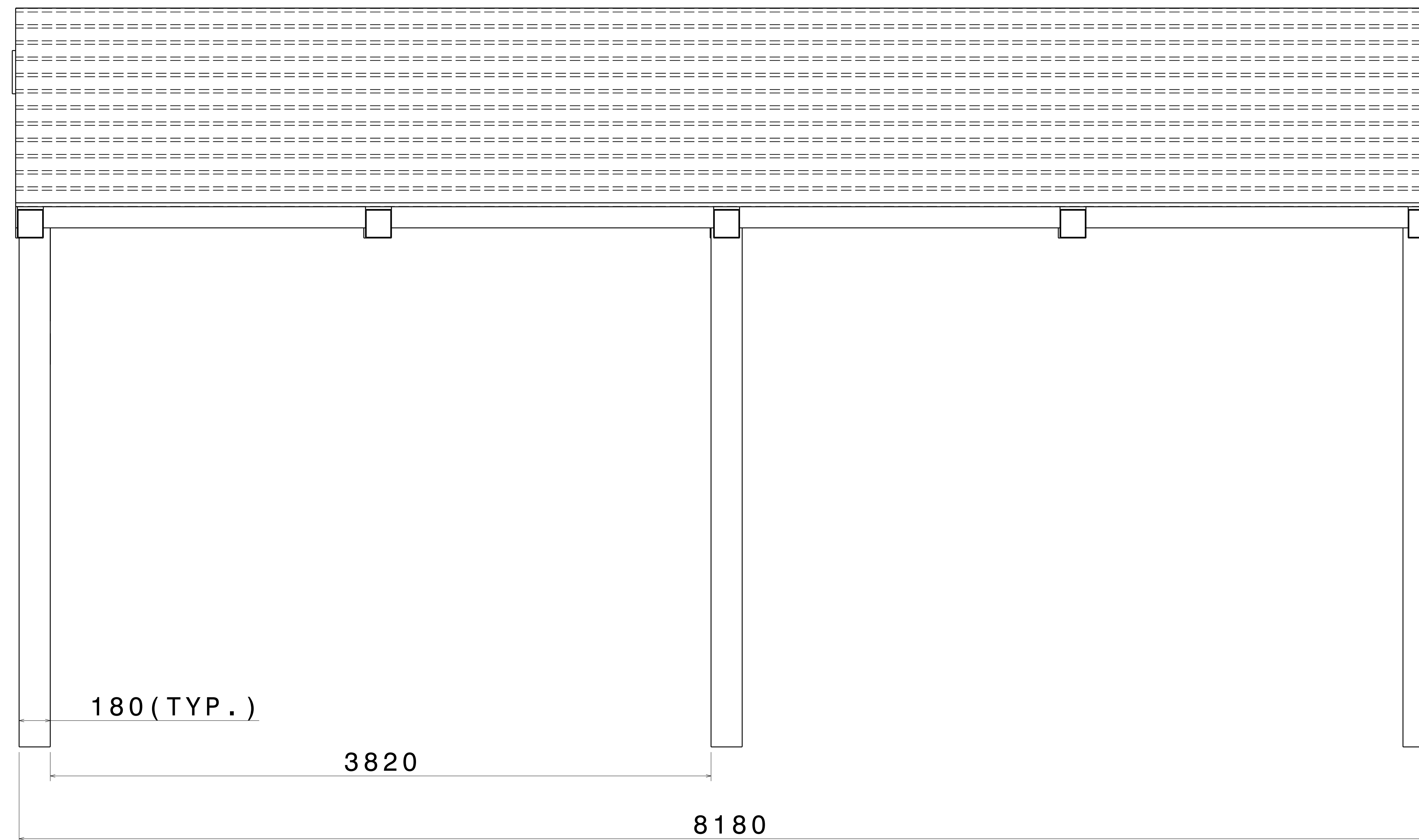
ISOMETRIC VIEW
SCALE: 1:15

ITEM NO.	PART NUMBER	DESCRIPTION	QTY.	Wt(Kg)/Each
5	RHS PLANK 1	225 X 25 X 1.6 X 8200	24	50.90
4	SHS FRAME 4	250 X 250 X 4 X 8220	3	254.30
3	SHS FRAME 3	180 X 180 X 4 X 2134.8	4	43.75
2	SHS FRAME 2	180 X 180 X 4 X 3220	2	71.27
1	SHS FRAME 1	180 X 180 X 4 X 3000	6	66.40

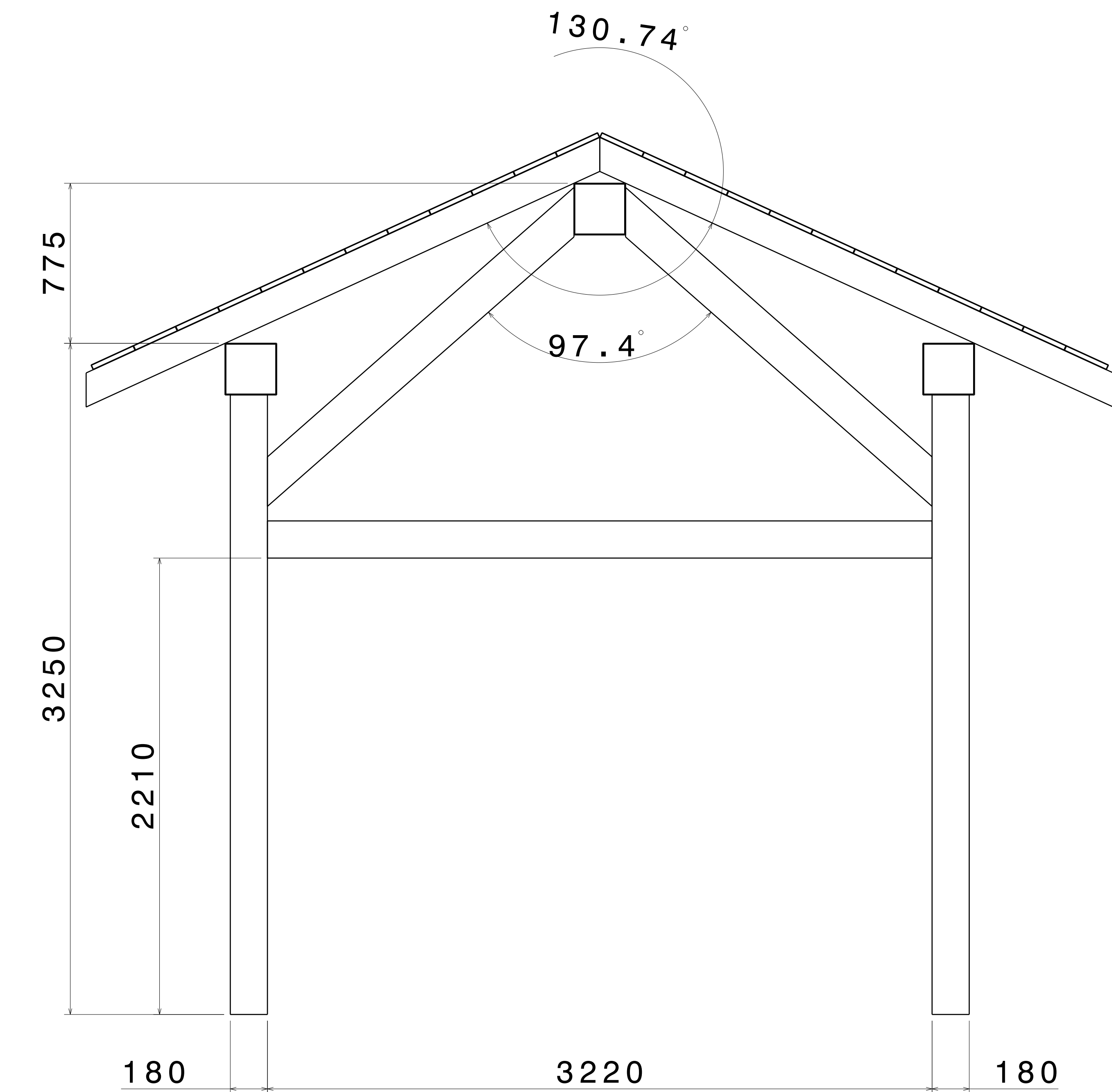
This drawing is our property. It can't be reproduced or communicated without our written agreement.		APL APOLLO TUBES LTD.	
DRAWN BY VM		DATE 14OCT2020	
CHECKED BY P2P Analysis & Solutions		DATE 14OCT2020	
DESIGNED BY P2P Analysis & Solutions		DATE 14OCT2020	
DRAWING TITLE ROOF TOP		SIZE A0	DRAWING NUMBER P2P ROOF TOP
SCALE As Indicated		WEIGHT(kg) 0kg	REV 00
		SHEET 1 OF 3	

UNLESS OTHERWISE SPECIFIED DIMENSION ARE IN MM
VIEWS: THIRD ANGLE PROJECTION

REV	DATE	DESCRIPTION
00	14OCT2020	INITIAL REVISION

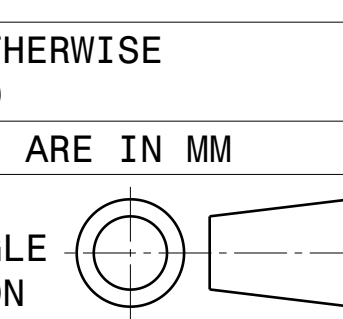



FRONT VIEW
SCALE: 1:15



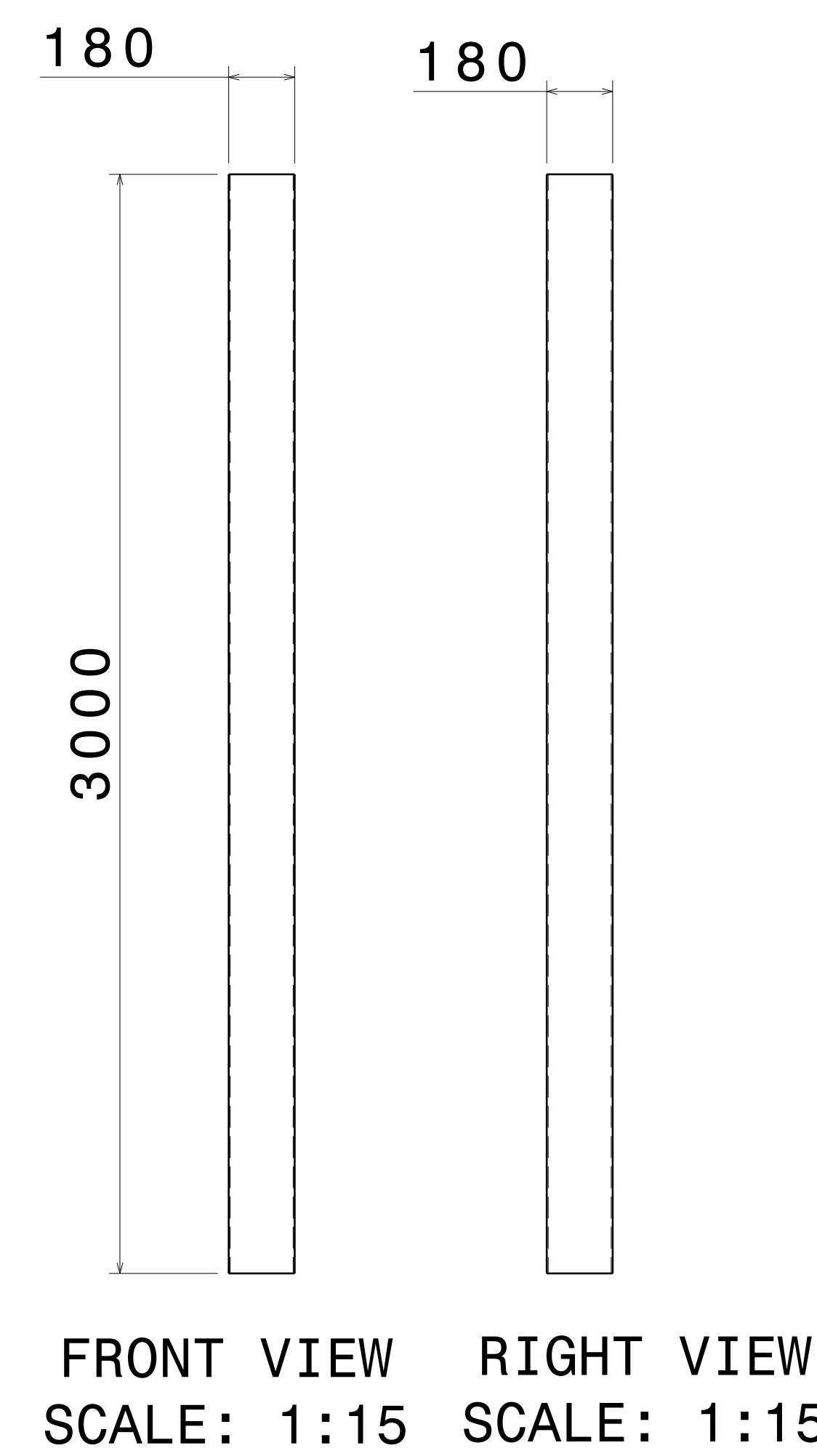
RIGHT VIEW
SCALE: 1:15

UNLESS OTHERWISE SPECIFIED DIMENSION ARE IN MM
VIEWS: THIRD ANGLE PROJECTION

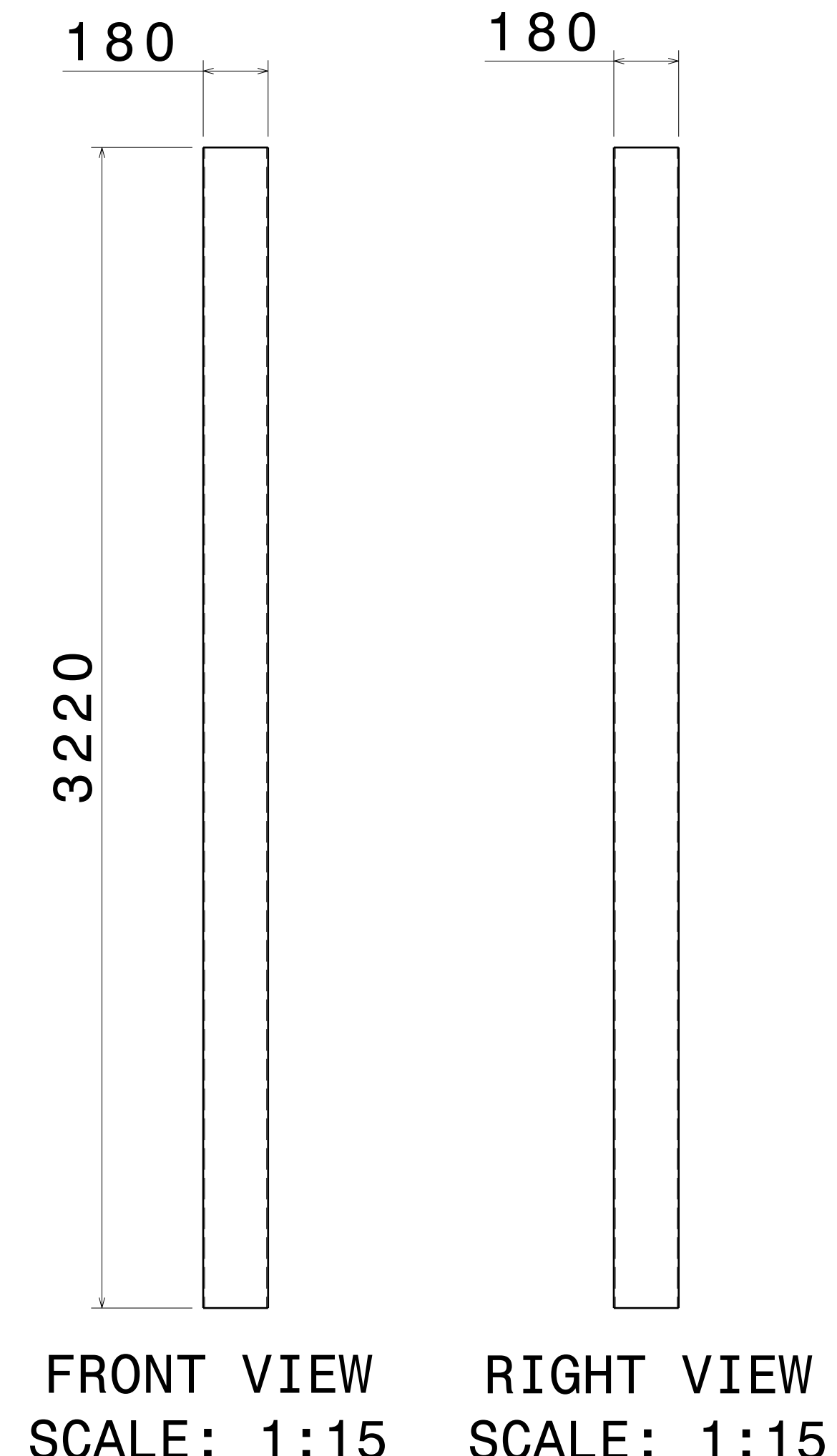


This drawing is our property. It can't be reproduced or communicated without our written agreement.		APL APOLLO TUBES LTD. 	
DRAWN BY SB		DATE 14OCT2020	
CHECKED BY P2P Analysis & Solutions		DATE 14OCT2020	
DESIGNED BY P2P Analysis & Solutions		DATE 14OCT2020	
DRAWING TITLE ROOF TOP		SIZE A0	DRAWING NUMBER P2P ROOF TOP
SCALE NONE		WEIGHT (kg) XXX	REV 00
		SHEET 2 OF 3	

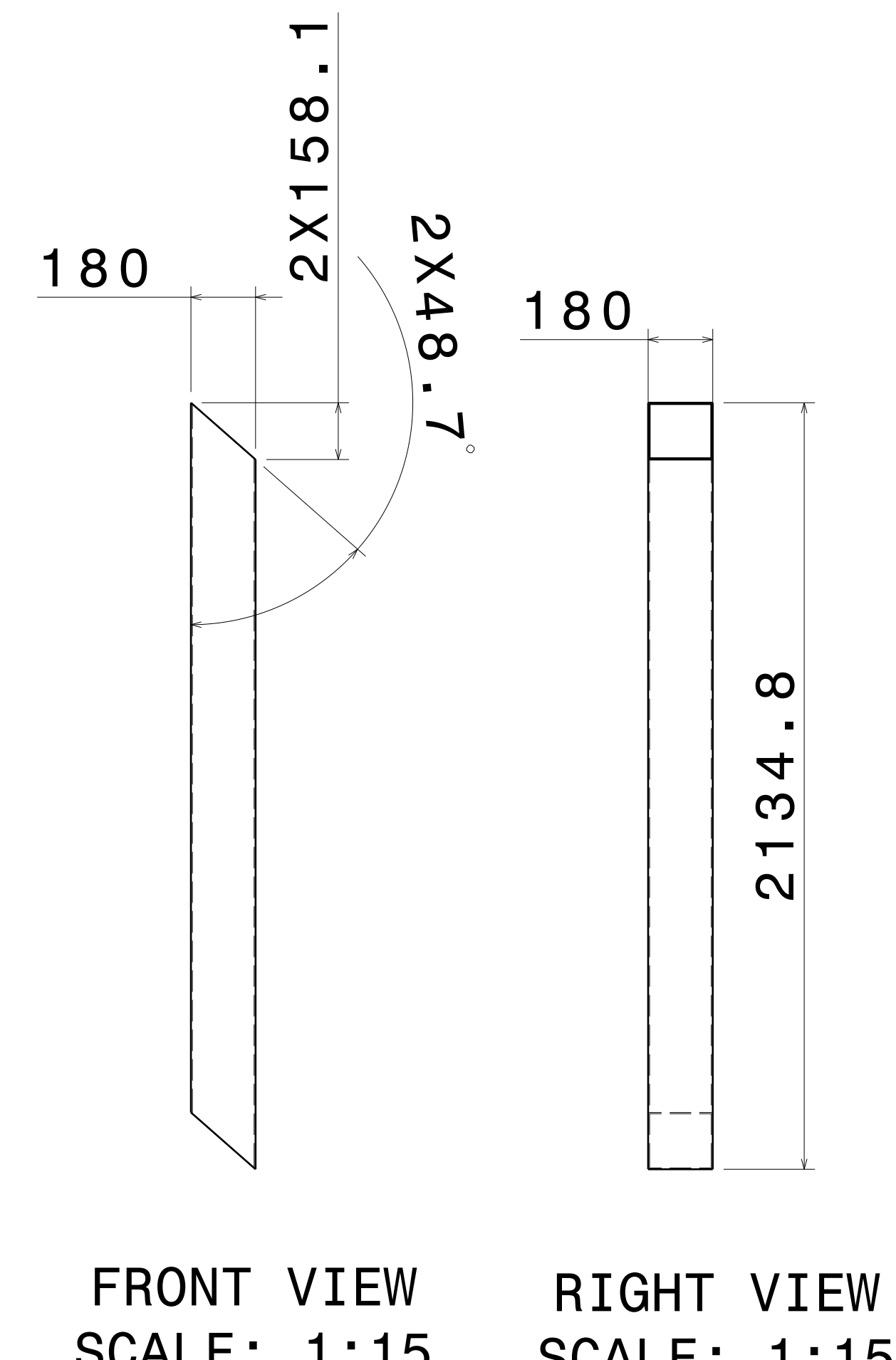
REV	DATE	DESCRIPTION
00	14OCT2020	INITIAL REVISION



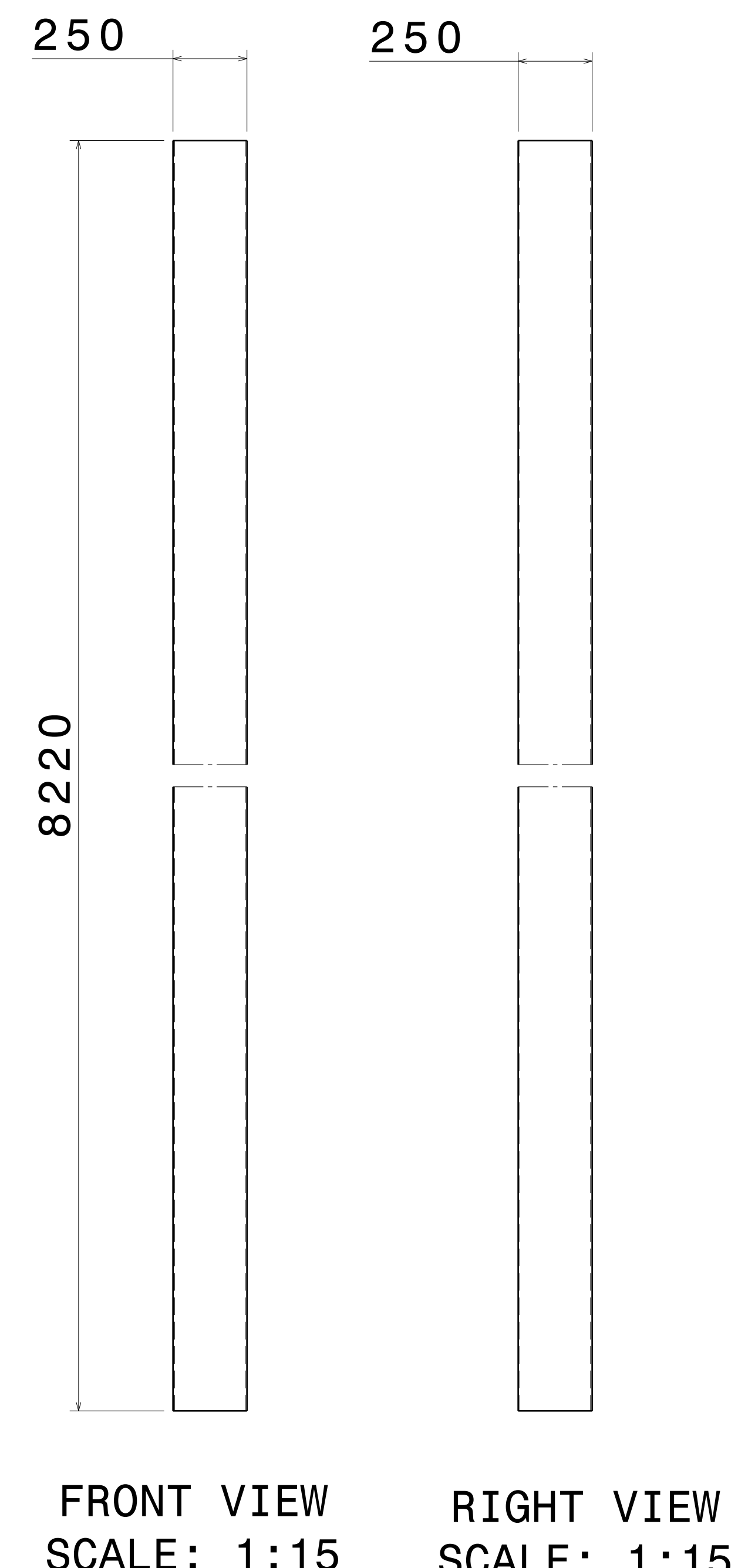
FRONT VIEW RIGHT VIEW
SCALE: 1:15 SCALE: 1:15
ITEM 1, SHS FRAME 1
THICKNESS - 4MM



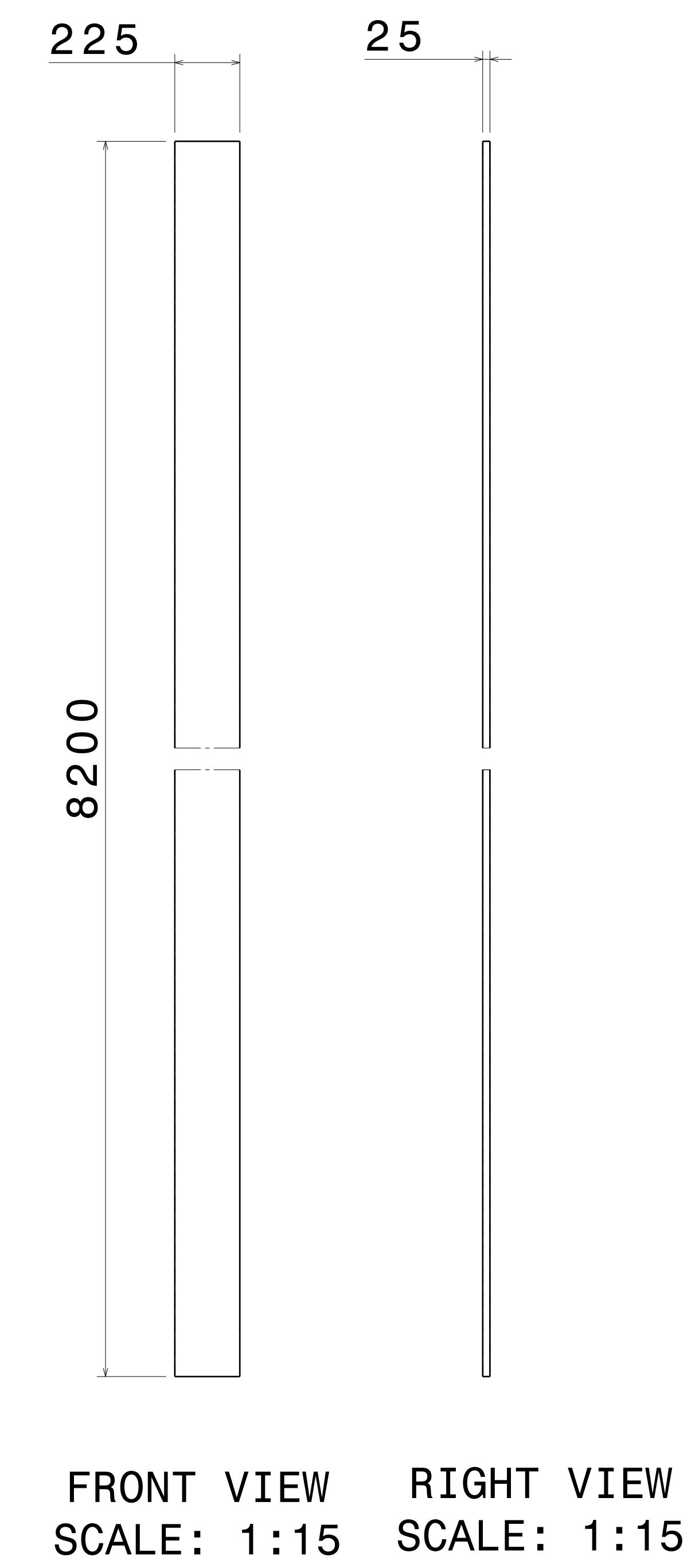
FRONT VIEW RIGHT VIEW
SCALE: 1:15 SCALE: 1:15
ITEM 2, SHS FRAME 2
THICKNESS - 4MM



FRONT VIEW RIGHT VIEW
SCALE: 1:15 SCALE: 1:15
ITEM 3, SHS FRAME 3
THICKNESS - 4MM



FRONT VIEW RIGHT VIEW
SCALE: 1:15 SCALE: 1:15
ITEM 4, SHS FRAME 4
THICKNESS - 4MM



FRONT VIEW RIGHT VIEW
SCALE: 1:15 SCALE: 1:15
ITEM 5, RHS PLANK 1
THICKNESS - 1.6MM

UNLESS OTHERWISE SPECIFIED DIMENSION ARE IN MM
VIEWS: THIRD ANGLE PROJECTION

This drawing is our property. It can't be reproduced or communicated without our written agreement.		APL APOLLO TUBES LTD.	
DRAWN BY SB		DATE 14OCT2020	
CHECKED BY P2P Analysis & Solutions		DATE 14OCT2020	
DESIGNED BY P2P Analysis & Solutions		DATE 14OCT2020	
SIZE A0	DRAWING NUMBER P2P ROOF TOP	REV 00	
SCALE NONE	WEIGHT (kg) XXX	SHEET 3 OF 3	