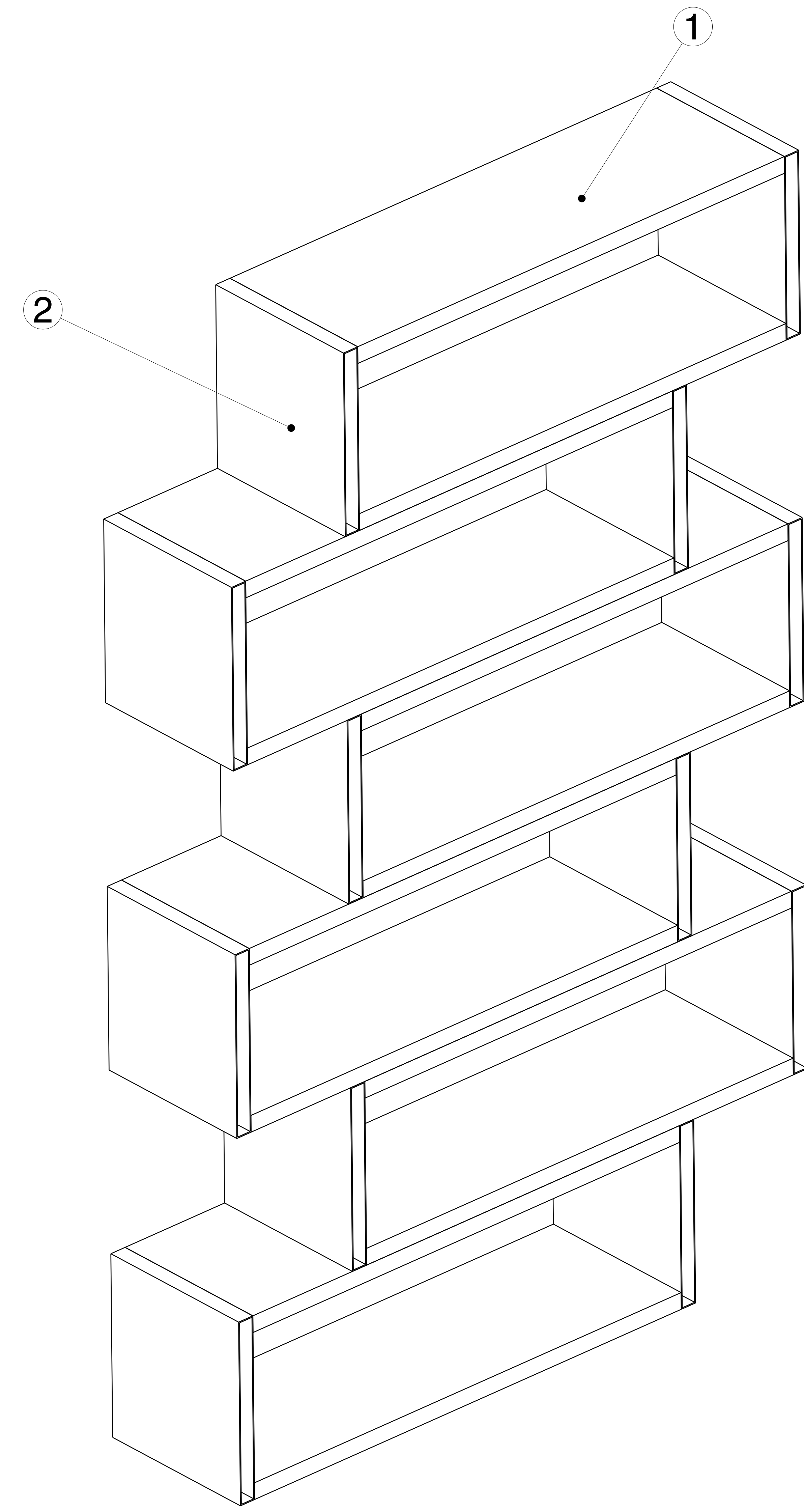


REV	DATE	DESCRIPTION
00	20SEPT2020	INITIAL REVISION


NOTES:

1. (⊥) ALL VERTICAL SUPPORTS ARE PERPENDICULAR.
2. □ FLATNESS OF .5MM IS APPLIED BY DEFAULT.
3. ⚡ WELD BEAD OF 2MM RADIUS IS FOLLOWED.
4. ∇ SURFACE FINISH MEDIUM TO SMOOTH IS USED.
5. ALL TUBES ARE AS PER APL APOLLO STANDARD. CHANGES MAY EFFECT THE LOAD CAPACITY.
6. ALL HORIZONTAL AND VERTICAL TUBES ARE PERPENDICULAR TO EACH OTHER WITH ±1 DEG.
7. FINE WELDING IS REQUIRED AS PER MENTIONED DETAILS AND FINISHING.
8. HIGHER CURRENT WELDING MAY AFFECT THE BRITTLENESS OF MATERIAL WHICH LATER MAY RAISE TO WEAKENING OF STRUCTURE.
9. FABRICATORS ARE ALLOWED TO USE FITTINGS/FRAMES/SUPPORTS AS NEEDED AND THE SAME MUST BE COMMUNICATED BACK TO ENGINEERING TEAM.
10. BOP COMPONENT WEIGHTS ARE FOR REFERENCE ONLY AND SUBJECTED TO CHANGE PER PURCHASED COMPONENTS.

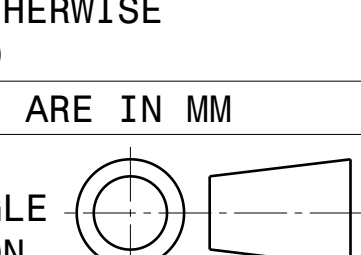


ISOMETRIC VIEW

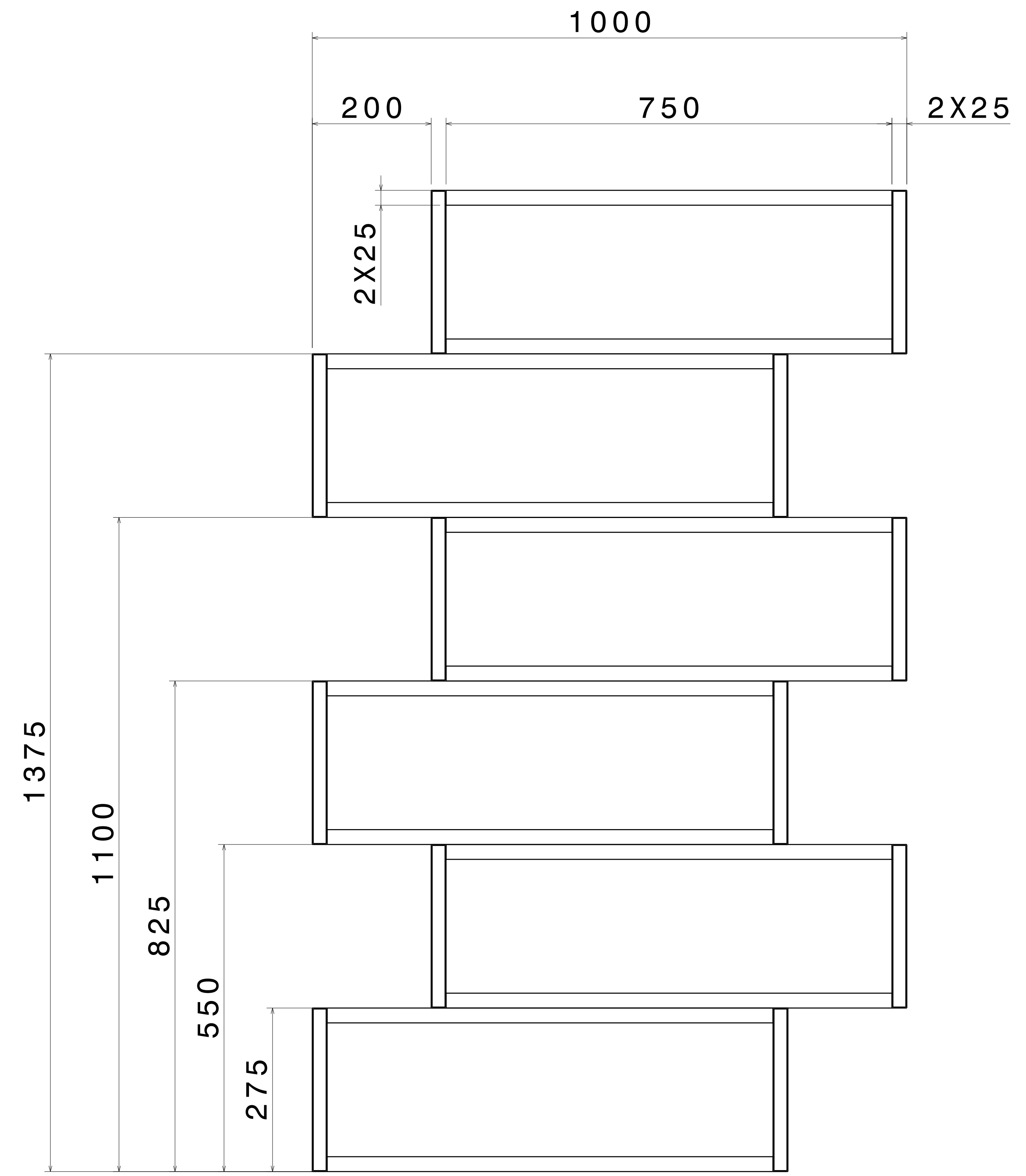
ITEM NO.	PART NUMBER	DESCRIPTION	QTY.	Wt (Kg)/Each
2	RHS PLANK 2	250 X 25 X 2 X 750	12	6.39
1	RHS PLANK 1	275 X 25 X 1.6 X 250	12	1.87

This drawing is our property. It can't be reproduced or communicated without our written agreement.		APL APOLLO TUBES LTD. 	
DRAWN BY		DATE	
VM		20SEPT2020	
CHECKED BY		DATE	
P2P Analysis & Solutions		20SEPT2020	
DESIGNED BY		DATE	
P2P Analysis & Solutions		20SEPT2020	
DRAWING TITLE		SHELF 1	
SIZE	DRAWING NUMBER	REV	
A0	P2P SHELF 1	00	
SCALE	WEIGHT(kg)	Okg	SHEET 1 OF 3
As Indicated			

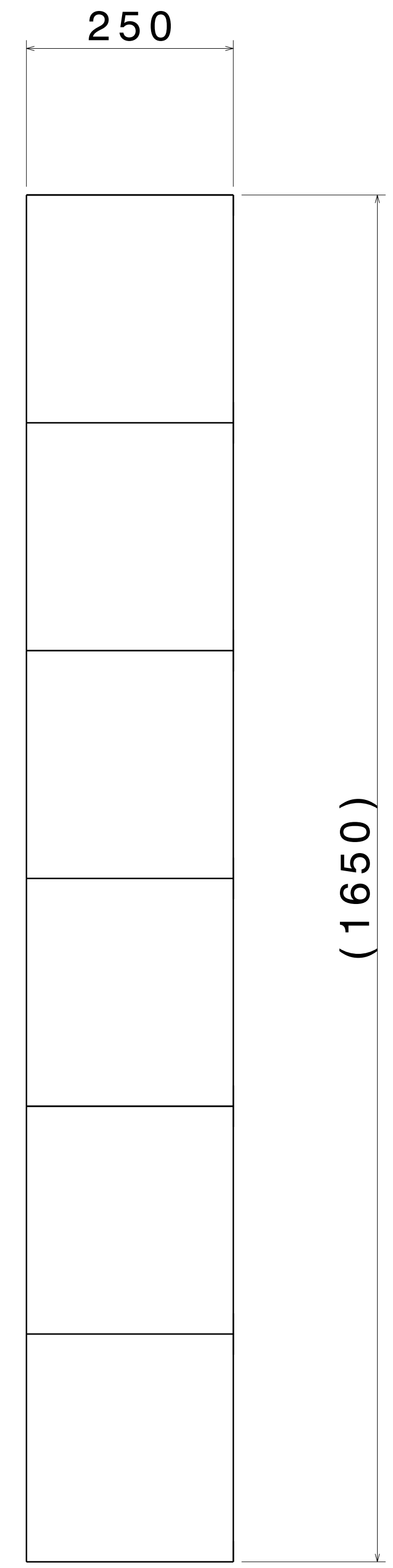
UNLESS OTHERWISE SPECIFIED DIMENSION ARE IN MM
 VIEWS: THIRD ANGLE PROJECTION



REV	DATE	DESCRIPTION
00	20SEPT2020	INITIAL REVISION

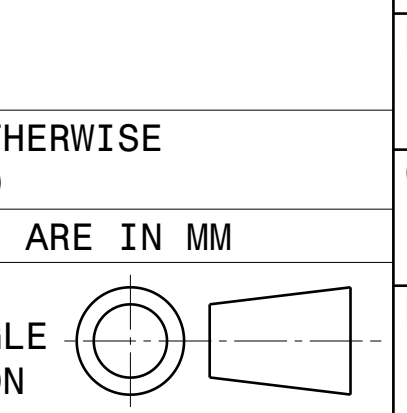



FRONT VIEW
SCALE: 1:5



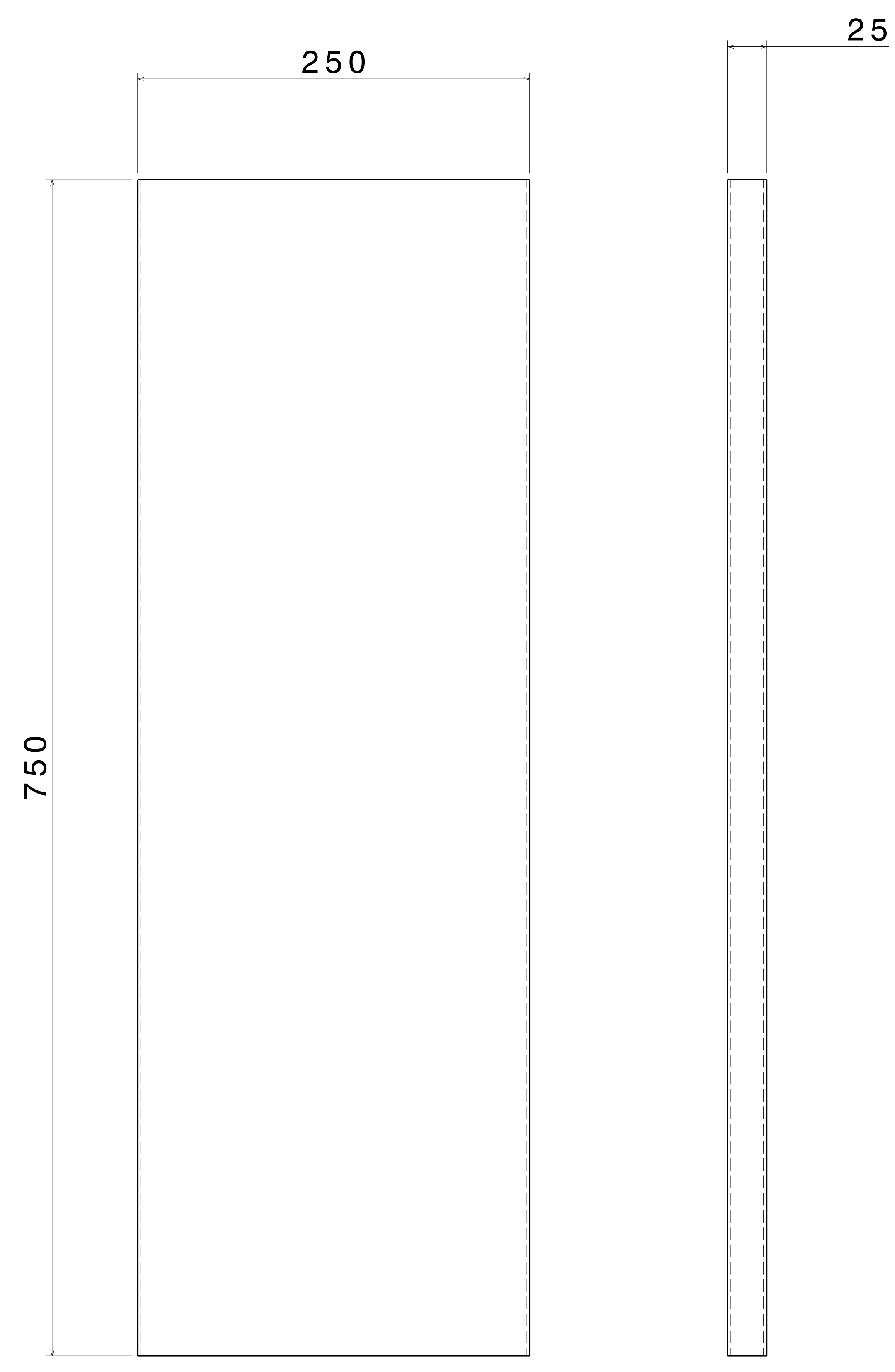
RIGHT VIEW
SCALE: 1:5

UNLESS OTHERWISE SPECIFIED DIMENSION ARE IN MM
VIEWS: THIRD ANGLE PROJECTION



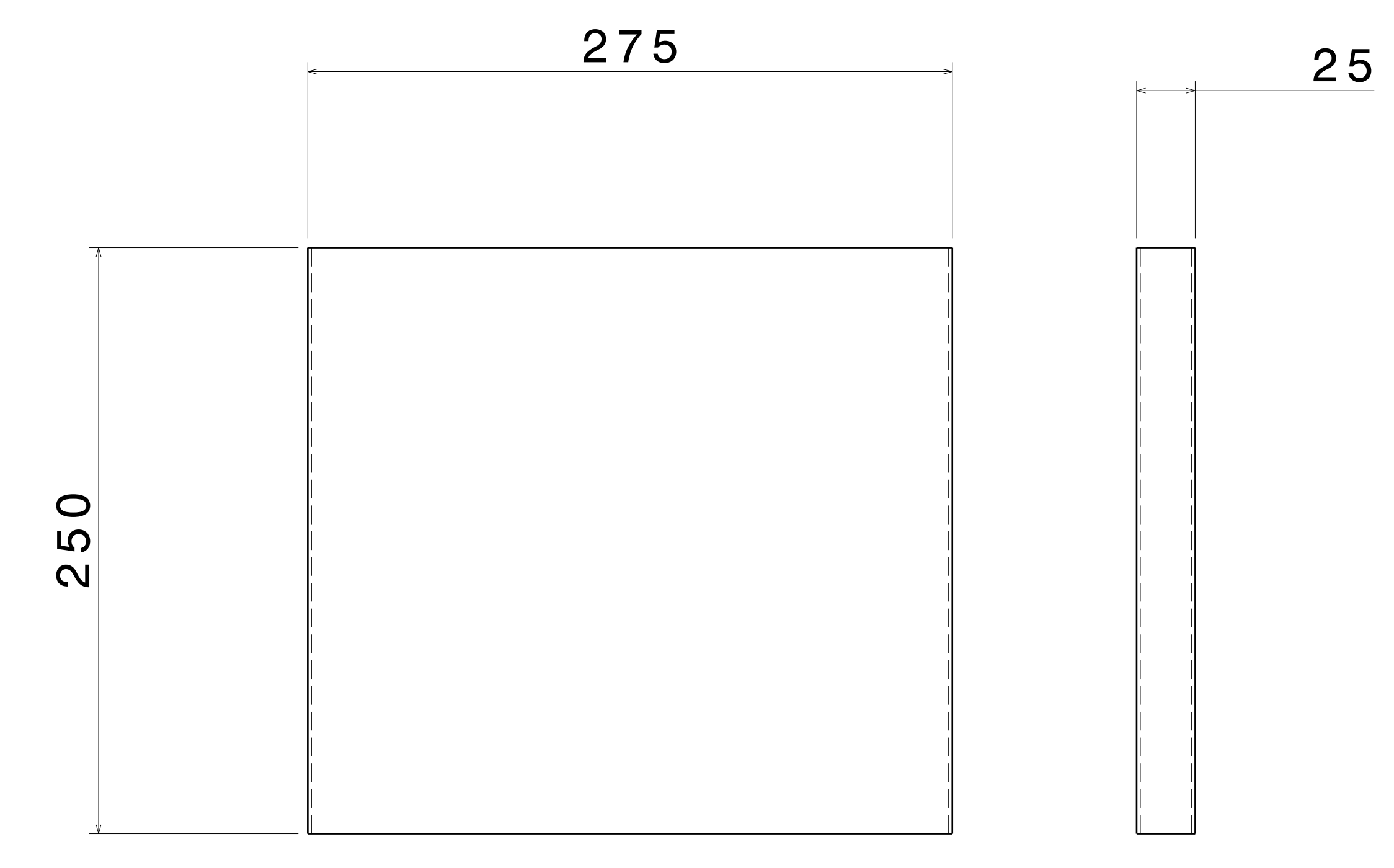
This drawing is our property. It can't be reproduced or communicated without our written agreement.		APL APOLLO TUBES LTD. 	
DRAWN BY SB		DATE 20SEPT2020	
CHECKED BY P2P Analysis & Solutions		DATE 20SEPT2020	
DESIGNED BY P2P Analysis & Solutions		DATE 20SEPT2020	
SIZE A0	DRAWING NUMBER P2P SHELF 1		REV 00
SCALE NONE	WEIGHT (kg)	XXX	SHEET 2 OF 3

REV	DATE	DESCRIPTION
00	20SEPT2020	INITIAL REVISION



FRONT VIEW RIGHT VIEW

ITEM 1, RHS PLANK 1
THICKNESS - 2 MM



FRONT VIEW RIGHT VIEW

ITEM 2, RHS PLANK 2
THICKNESS - 1.6 MM

UNLESS OTHERWISE SPECIFIED DIMENSION ARE IN MM
VIEWS: THIRD ANGLE PROJECTION

This drawing is our property. It can't be reproduced or communicated without our written agreement.		APL APOLLO TUBES LTD.	
DRAWN BY: SB		DATE: 20SEPT2020	
CHECKED BY: P2P Analysis & Solutions		DATE: 20SEPT2020	
DESIGNED BY: P2P Analysis & Solutions		DATE: 20SEPT2020	
SIZE: A0	DRAWING NUMBER: P2P SHELF 1	REV: 00	
SCALE: NONE	WEIGHT (kg): XXX	SHEET 3 OF 3	