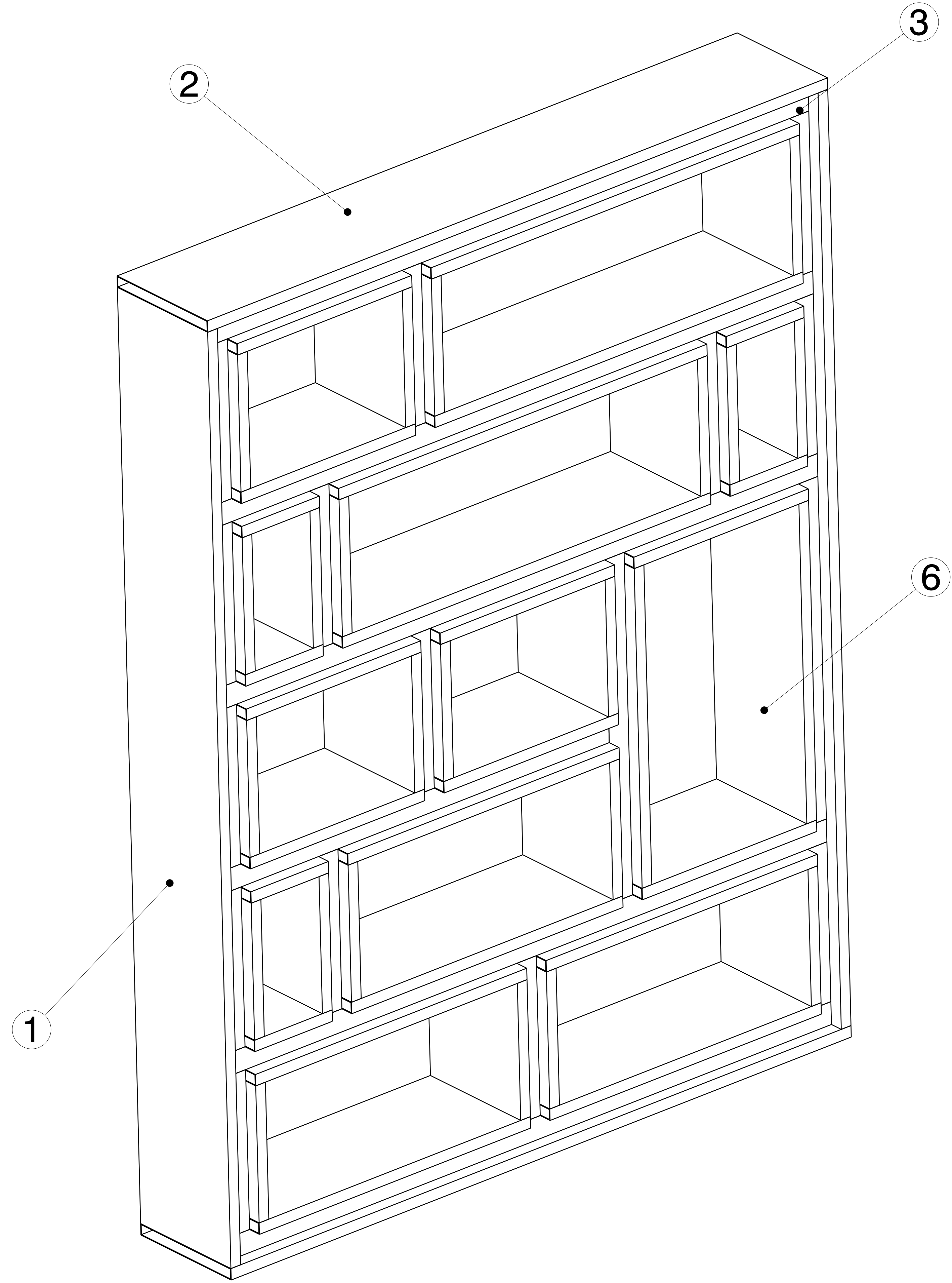
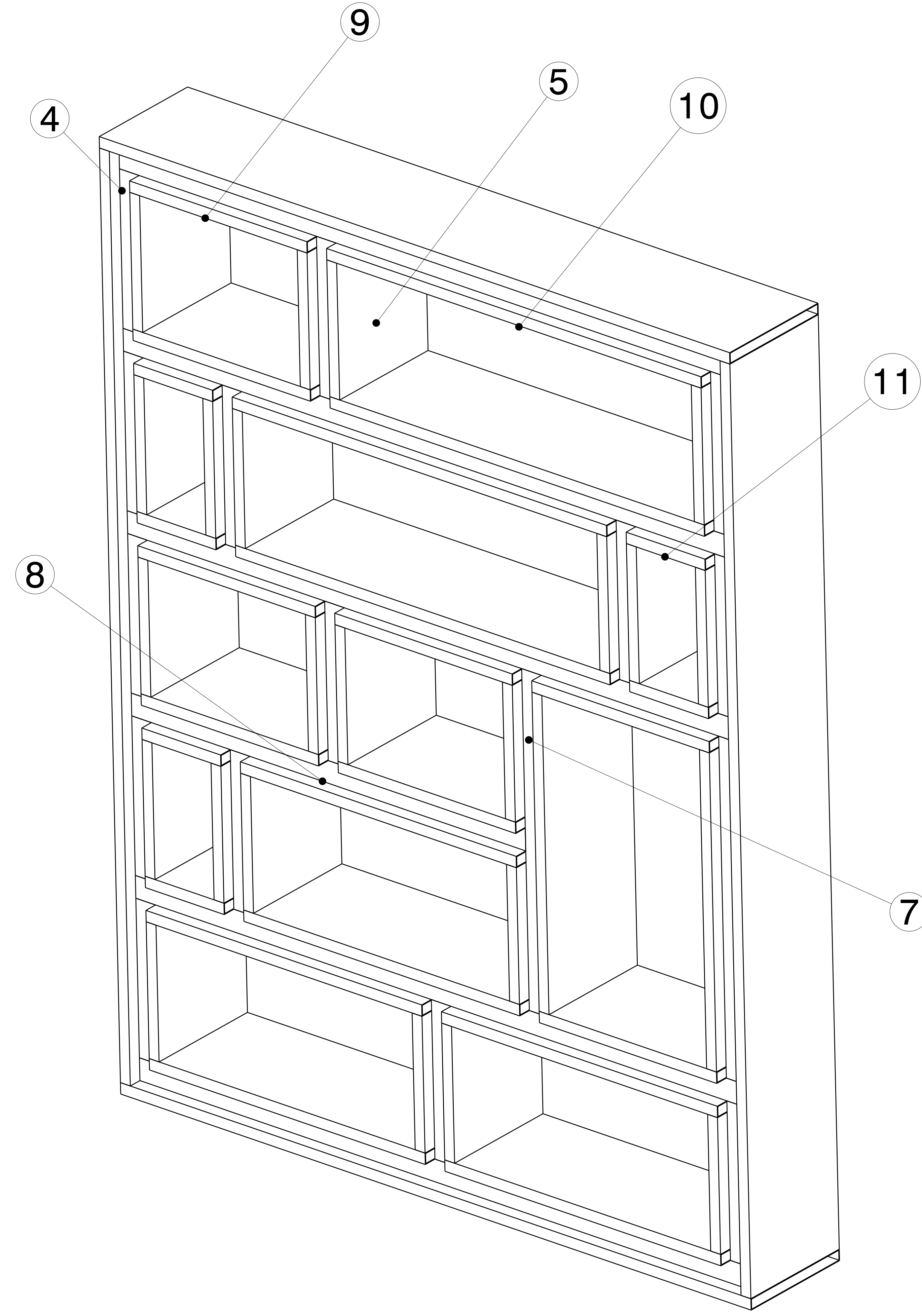


REV/DATE	DESCRIPTION
00/24SEP2020	INITIAL REVISION

- NOTES:
- (⊥) ALL VERTICAL SUPPORTS ARE PERPENDICULAR.
 - FLATNESS OF .5MM IS APPLIED BY DEFAULT.
 - ⊥ WELD BEAD OF 2MM RADIUS IS FOLLOWED.
 - ▽ SURFACE FINISH MEDIUM TO SMOOTH IS USED.
 - ALL TUBES ARE AS PER APL APOLLO STANDARD. CHANGES MAY EFFECT THE LOAD CAPACITY.
 - ALL HORIZONTAL AND VERTICAL TUBES ARE PERPENDICULAR TO EACH OTHER WITH ±1 DEG.
 - FINE WELDING IS REQUIRED AS PER MENTIONED DETAILS AND FINISHING.
 - HIGHER CURRENT WELDING MAY AFFECT THE BRITTLENESS OF MATERIAL WHICH LATER MAY RAISE TO WEAKENING OF STRUCTURE.
 - FABRICATORS ARE ALLOWED TO USE FITTINGS/FRAMES/SUPPORTS AS NEEDED AND THE SAME MUST BE COMMUNICATED BACK TO ENGINEERING TEAM.
 - BOP COMPONENT WEIGHTS ARE FOR REFERENCE ONLY AND SUBJECTED TO CHANGE PER PURCHASED COMPONENTS.



ISOMETRIC VIEW
SCALE: 1:5



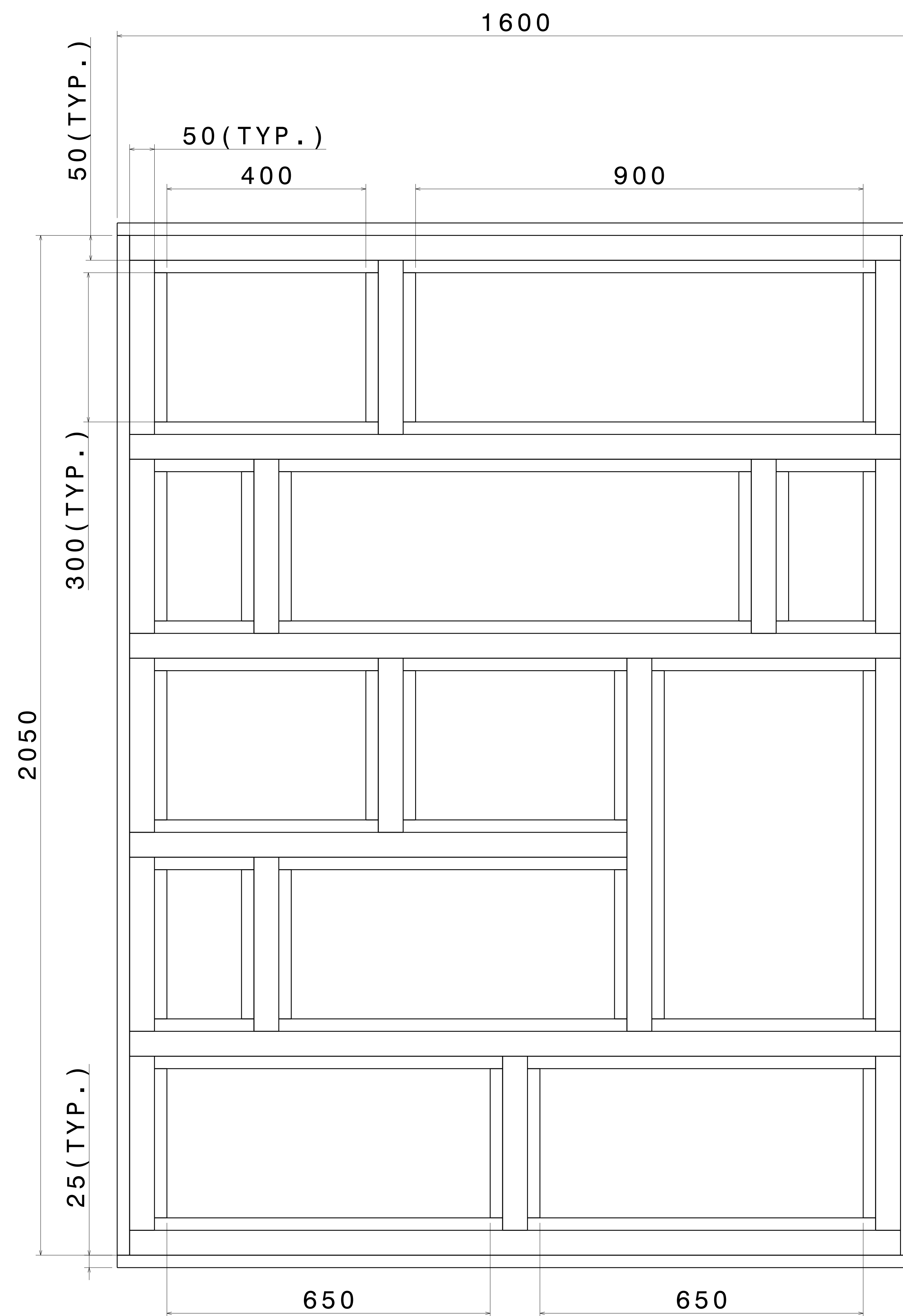
ISOMETRIC VIEW
SCALE: 1:5

ITEM NO.	PART NUMBER	DESCRIPTION	QTY.	Wt (kg)/Each
11	RHS PLANK 7	275 X 25 X 1.6 X 200	6	1.49
10	RHS PLANK 6	275 X 25 X 1.6 X 950	4	7.15
9	RHS PLANK 5	275 X 25 X 1.6 X 450	8	3.36
8	RHS FRAME 4	50 X 25 X 2 X 1000	2	2.23
7	RHS FRAME 3	50 X 25 X 2 X 750	4	1.67
6	RHS PLANK 4	275 X 25 X 1.6 X 700	8	5.23
5	RHS PLANK 3	275 X 25 X 1.6 X 300	22	2.24
4	RHS FRAME 2	50 X 25 X 2 X 350	28	0.78
3	RHS FRAME 1	50 X 25 X 2 X 1550	10	3.46
2	RHS PLANK 2	275 X 25 X 1.6 X 1600	2	11.94
1	RHS PLANK 1	275 X 25 X 1.6 X 2050	2	15.30

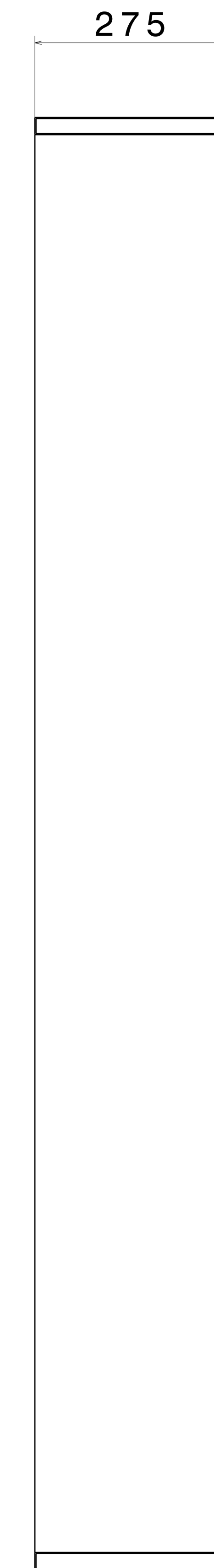
UNLESS OTHERWISE SPECIFIED DIMENSION ARE IN MM
VIEWS: THIRD ANGLE PROJECTION

This drawing is our property. It can't be reproduced or communicated without our written agreement.		APL APOLLO TUBES LTD.	
DRAWN BY VM		DATE 24SEP2020	
CHECKED BY P2P Analysis & Solutions		DATE 24SEP2020	
DESIGNED BY P2P Analysis & Solutions		DATE 24SEP2020	
DRAWING TITLE SHELF 3		SIZE A0	REV 00
SCALE As Indicated		WEIGHT(kg) 0kg	SHEET 1 OF 3

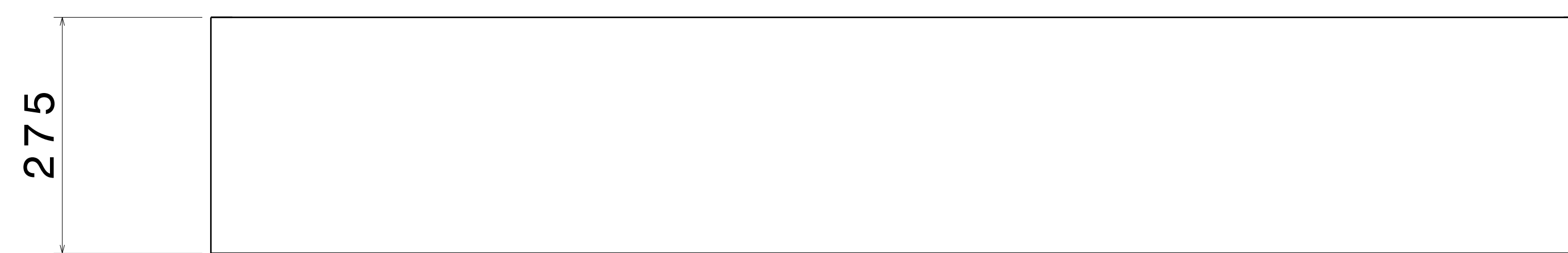
REV	DATE	DESCRIPTION
00	24SEP2020	INITIAL REVISION



FRONT VIEW
SCALE: 1:5



RIGHT VIEW
SCALE: 1:5

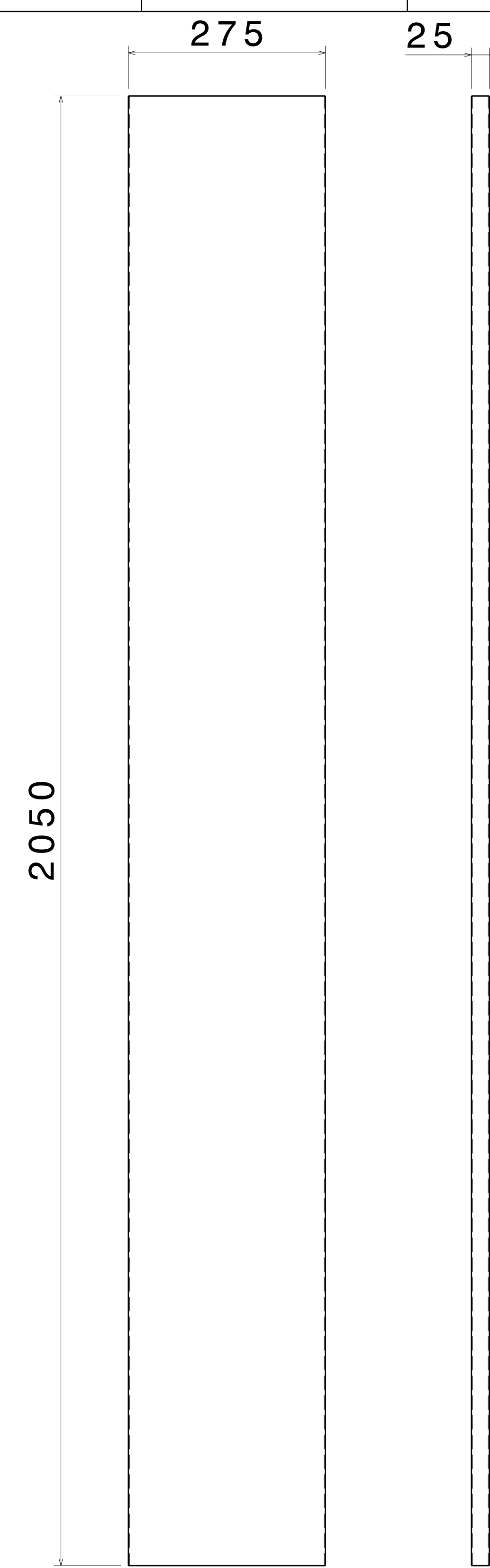


BOTTOM VIEW
SCALE: 1:5

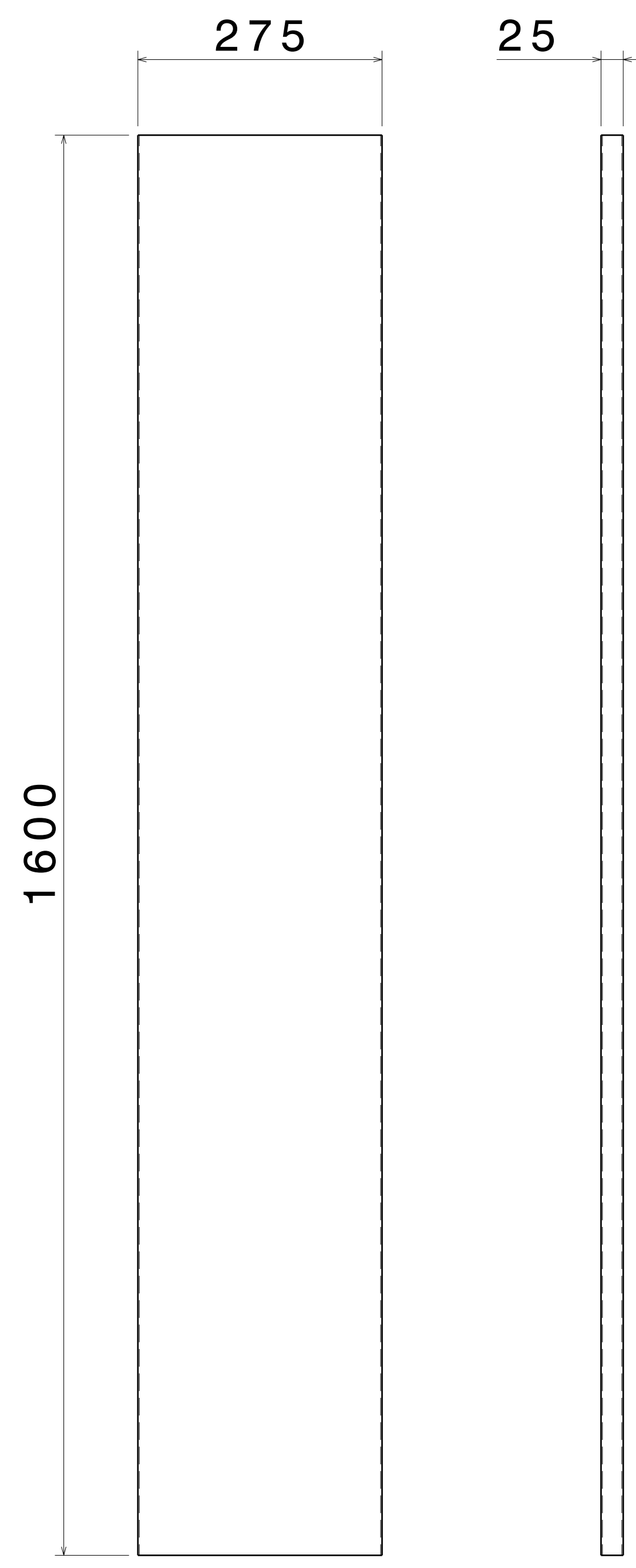
UNLESS OTHERWISE SPECIFIED DIMENSION ARE IN MM
VIEWS: THIRD ANGLE PROJECTION

This drawing is our property. It can't be reproduced or communicated without our written agreement.		APL APOLLO TUBES LTD.	
DRAWN BY SB		DATE 24SEP2020	
CHECKED BY P2P Analysis & Solutions		DATE 24SEP2020	
DESIGNED BY P2P Analysis & Solutions		DATE 24SEP2020	
SIZE A0	DRAWING NUMBER P2P SHELF 3		REV 00
SCALE NONE	WEIGHT (kg)	XXX	SHEET 2 OF 3

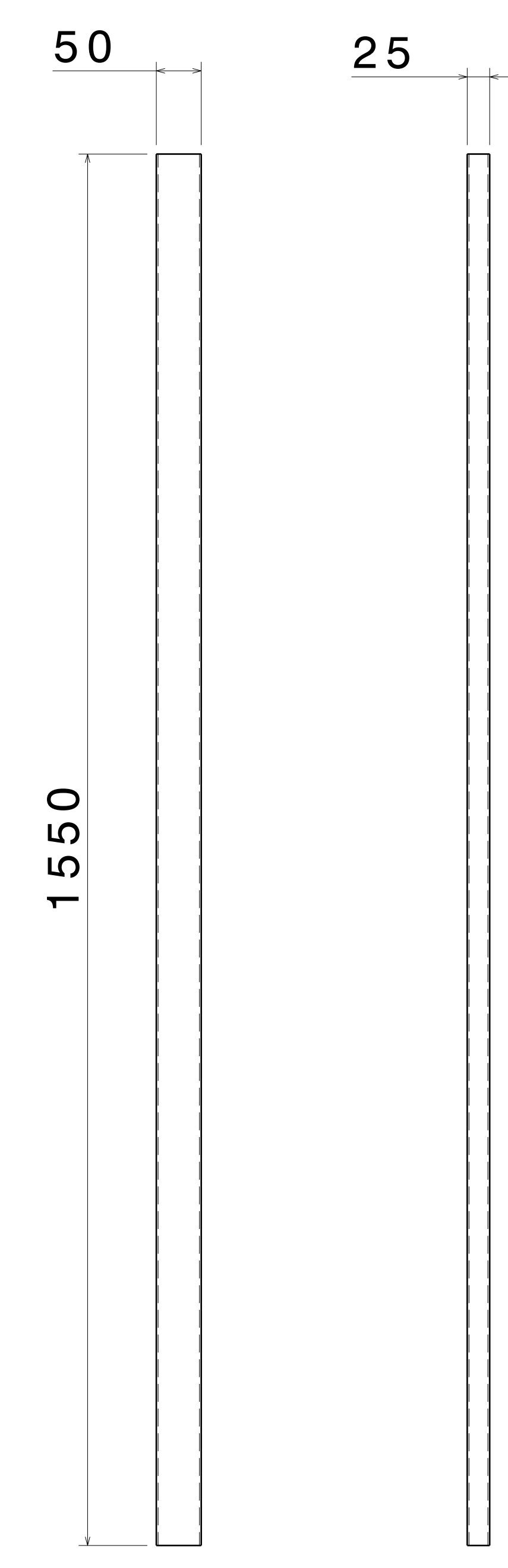
REV	DATE	DESCRIPTION
00	24SEP2020	INITIAL REVISION



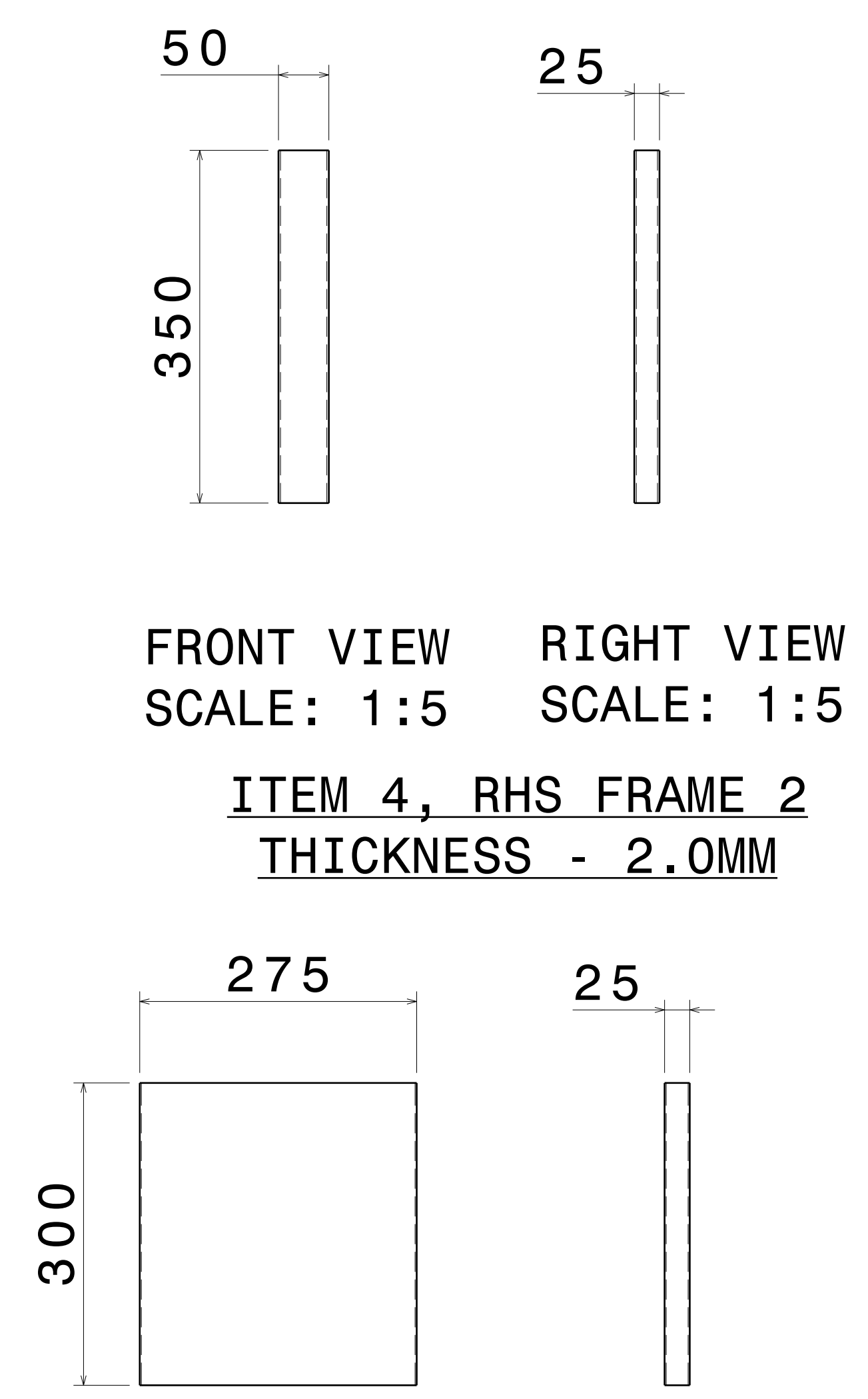
FRONT VIEW RIGHT VIEW
SCALE: 1:5 SCALE: 1:5
ITEM 1, RHS PLANK 1
THICKNESS - 1.6MM



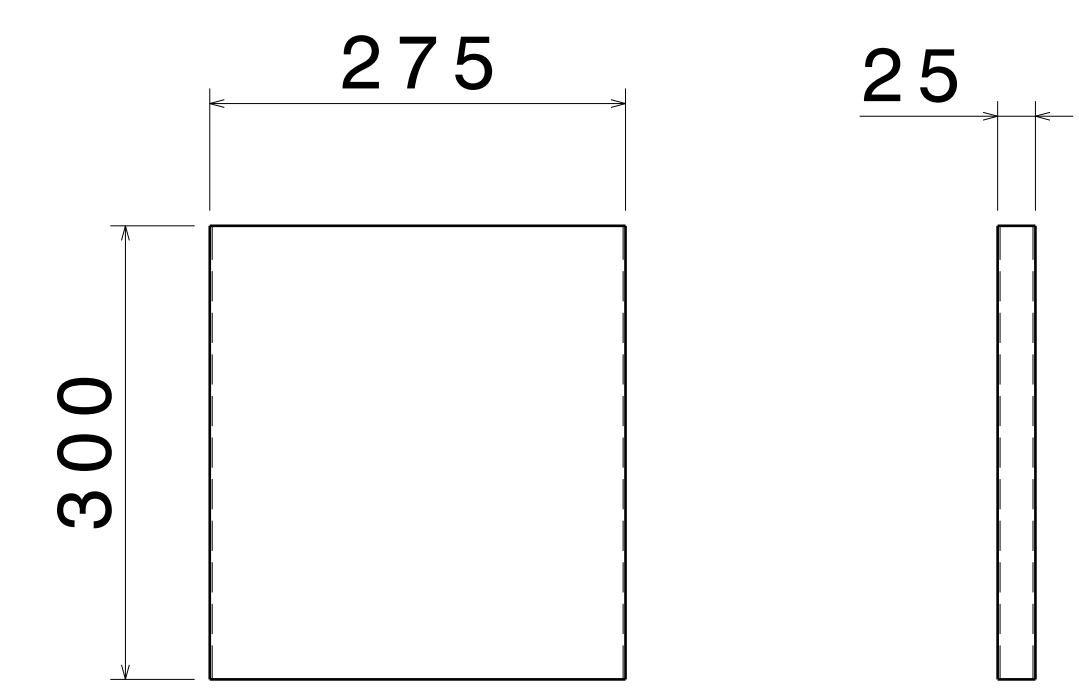
FRONT VIEW RIGHT VIEW
SCALE: 1:5 SCALE: 1:5
ITEM 2, RHS PLANK 2
THICKNESS - 1.6MM



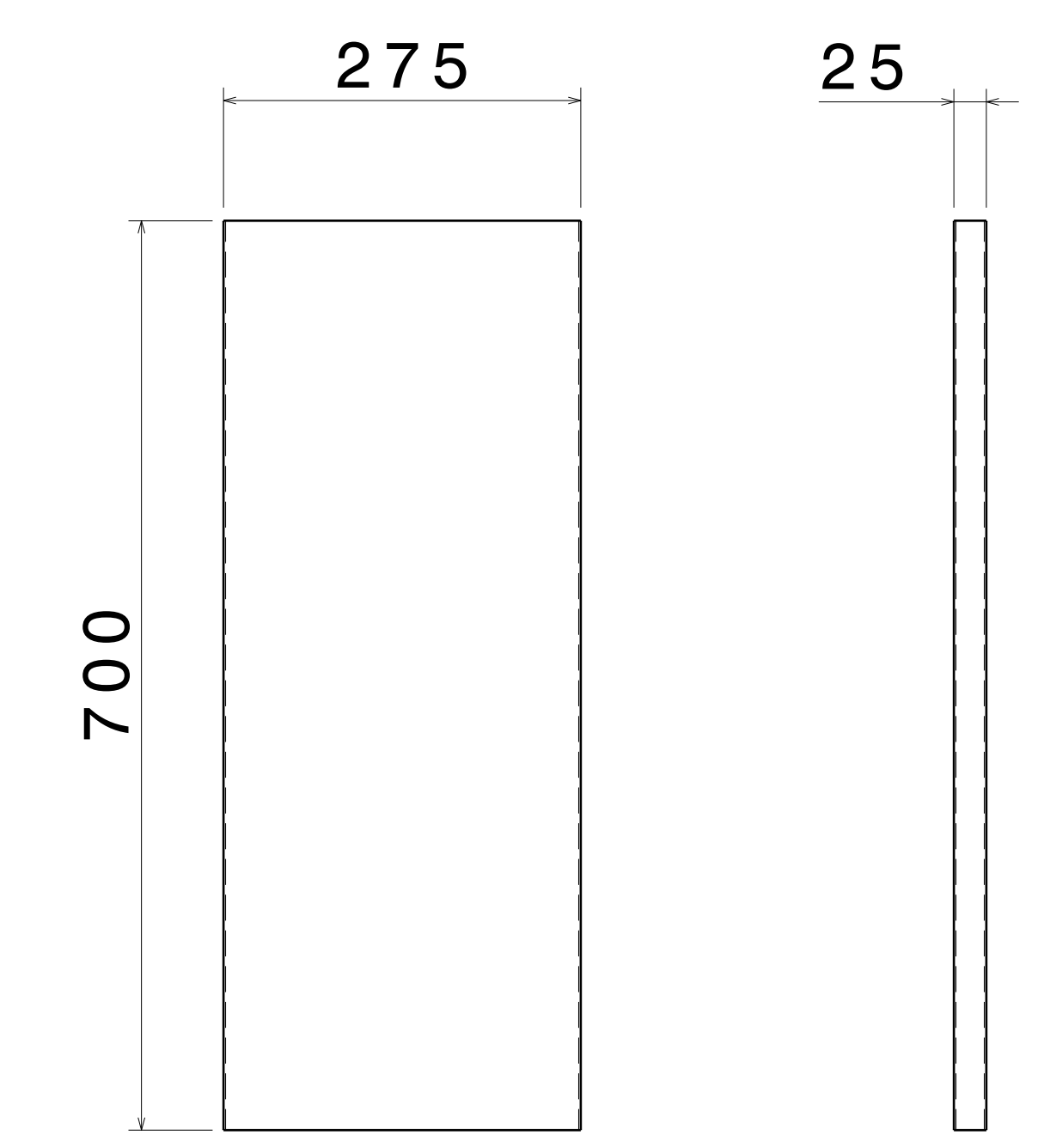
FRONT VIEW RIGHT VIEW
SCALE: 1:5 SCALE: 1:5
ITEM 3, RHS FRAME 1
THICKNESS - 2.0MM



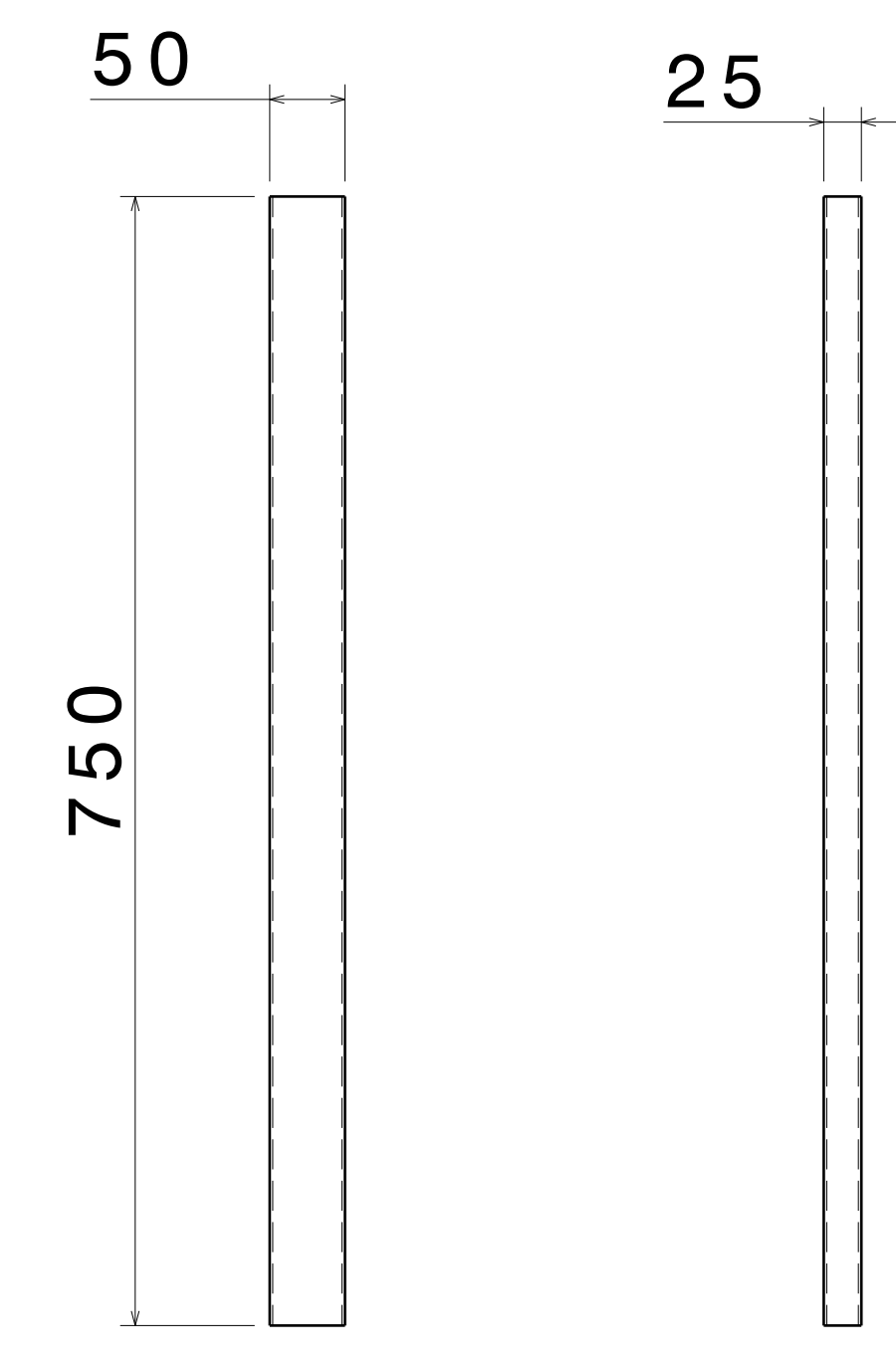
FRONT VIEW RIGHT VIEW
SCALE: 1:5 SCALE: 1:5
ITEM 4, RHS FRAME 2
THICKNESS - 2.0MM



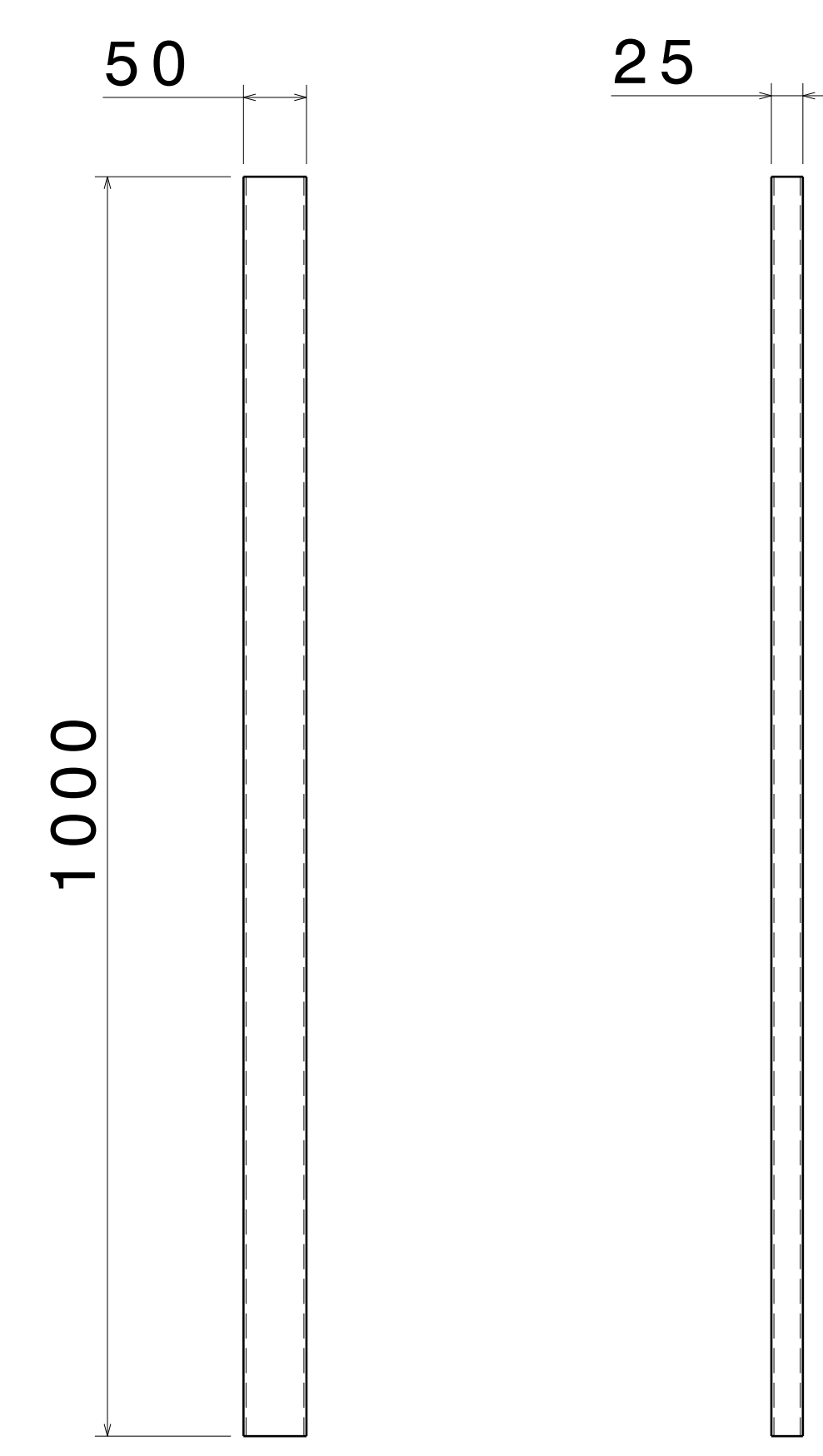
FRONT VIEW RIGHT VIEW
SCALE: 1:5 SCALE: 1:5
ITEM 5, RHS PLANK 3
THICKNESS - 1.6MM



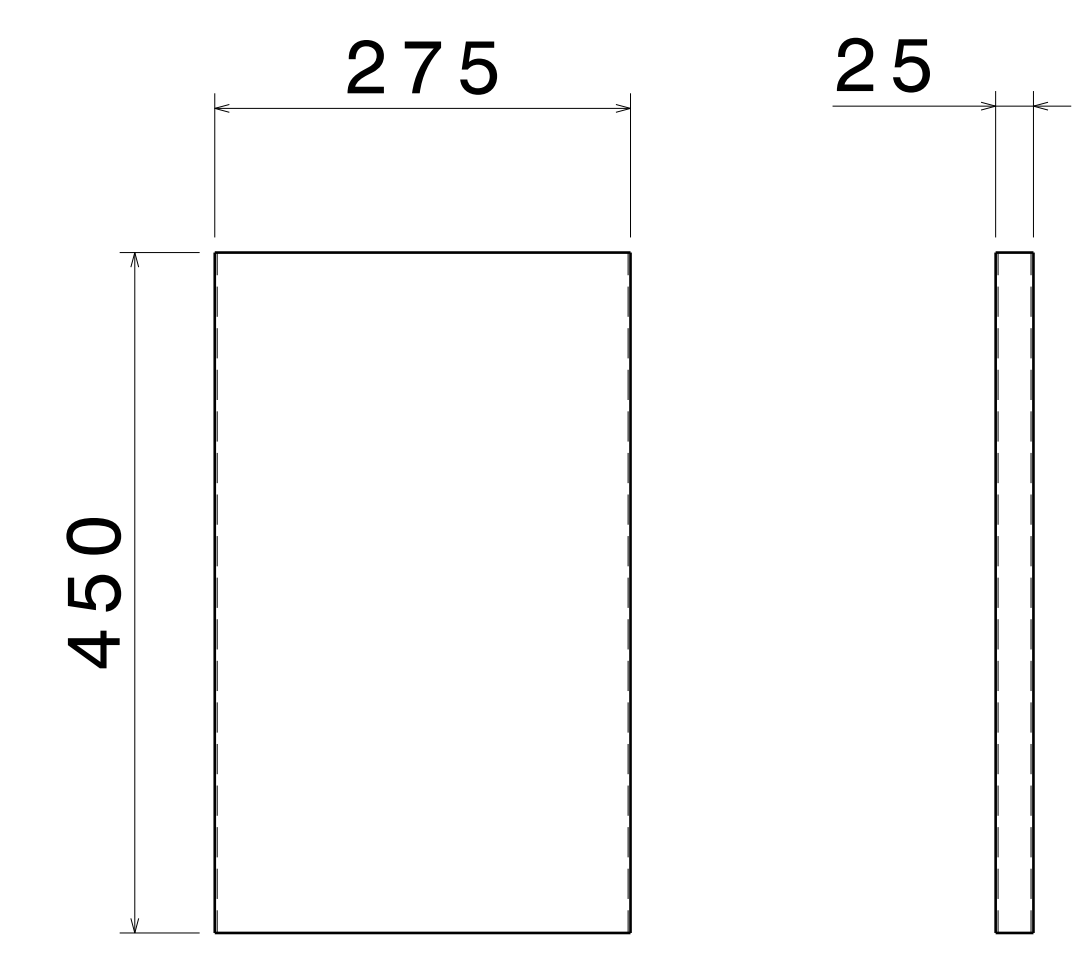
FRONT VIEW RIGHT VIEW
SCALE: 1:5 SCALE: 1:5
ITEM 6, RHS PLANK 4
THICKNESS - 1.6MM



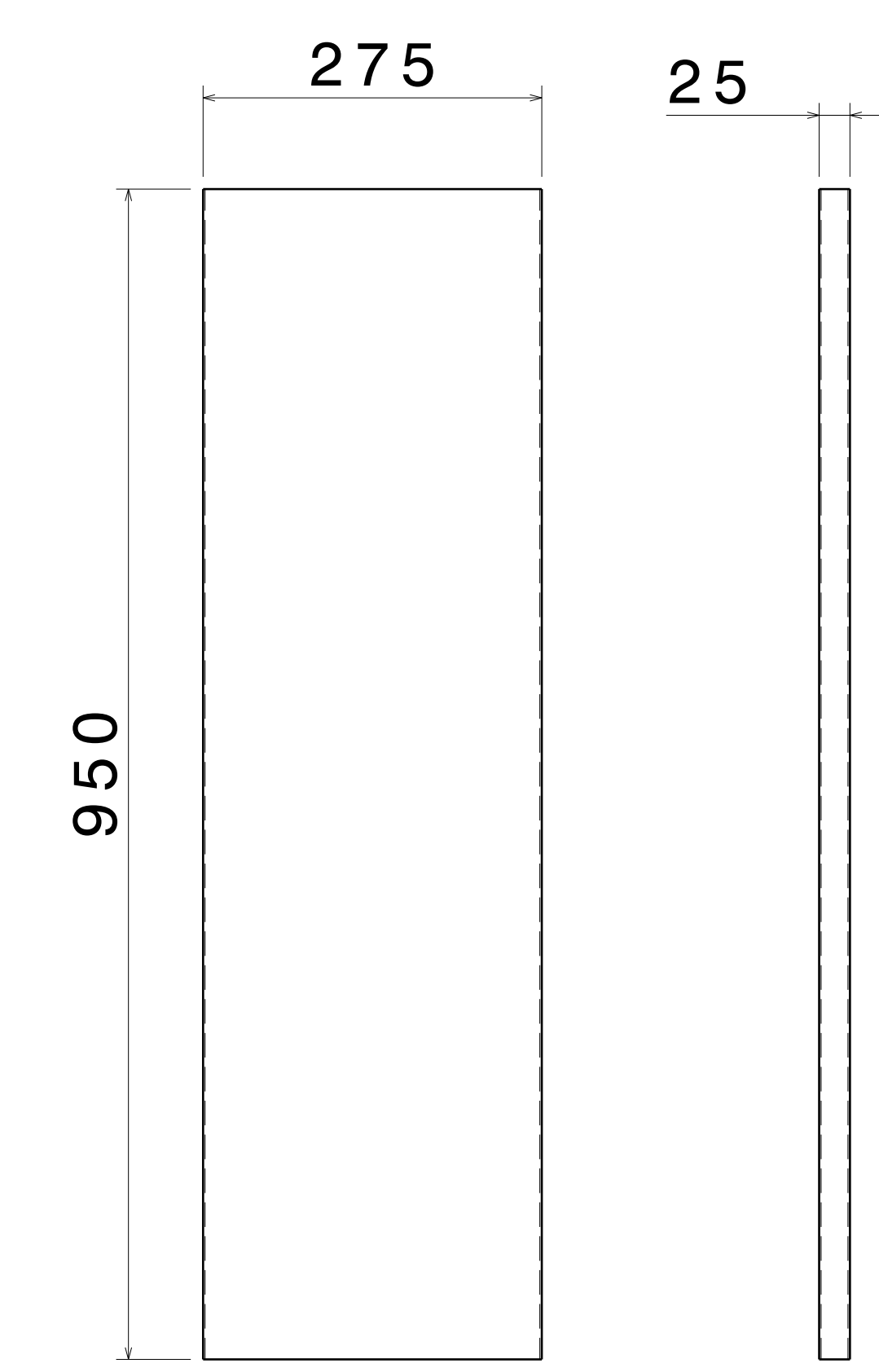
FRONT VIEW RIGHT VIEW
SCALE: 1:5 SCALE: 1:5
ITEM 7, RHS FRAME 3
THICKNESS - 2.0MM



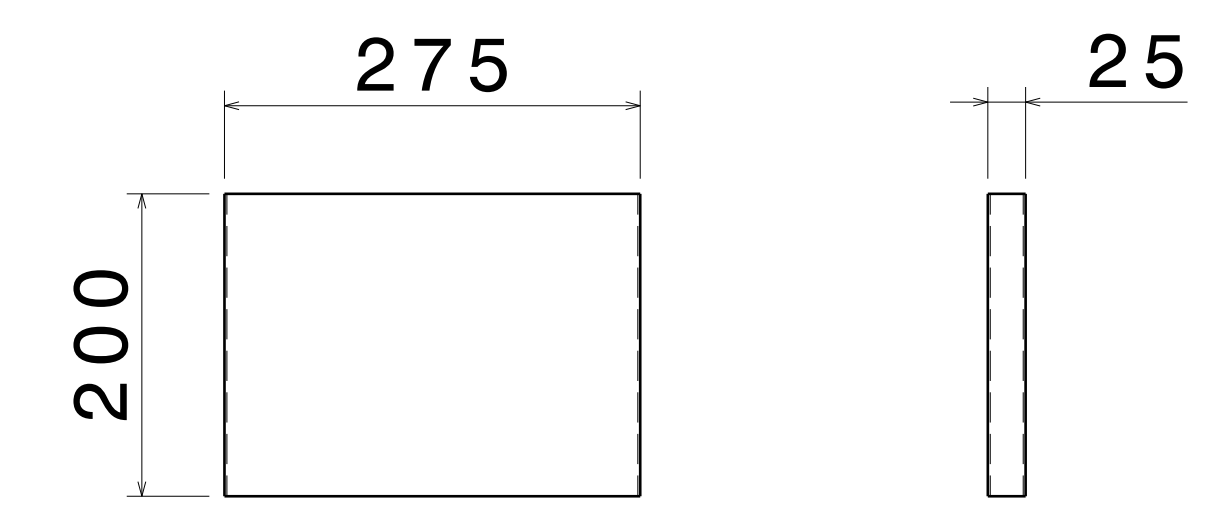
FRONT VIEW RIGHT VIEW
SCALE: 1:5 SCALE: 1:5
ITEM 8, RHS FRAME 4
THICKNESS - 2.0MM



FRONT VIEW RIGHT VIEW
SCALE: 1:5 SCALE: 1:5
ITEM 9, RHS PLANK 5
THICKNESS - 1.6MM



FRONT VIEW RIGHT VIEW
SCALE: 1:5 SCALE: 1:5
ITEM 10, RHS PLANK 6
THICKNESS - 1.6MM



FRONT VIEW RIGHT VIEW
SCALE: 1:5 SCALE: 1:5
ITEM 11, RHS PLANK 7
THICKNESS - 1.6MM

UNLESS OTHERWISE SPECIFIED DIMENSION ARE IN MM VIEWS: THIRD ANGLE PROJECTION

This drawing is our property. It can't be reproduced or communicated without our written agreement.		APL APOLLO TUBES LTD.	
DRAWN BY: SB		DRAWING TITLE: SHELF 3	
CHECKED BY: P2P Analysis & Solutions		SIZE: A0	
DESIGNED BY: P2P Analysis & Solutions		DRAWING NUMBER: P2P SHELF 3	
DATE: 24SEP2020	DATE: 24SEP2020	SCALE: NONE	REV: 00
DATE: 24SEP2020	DATE: 24SEP2020	WEIGHT (kg): XXX	SHEET 3 OF 3