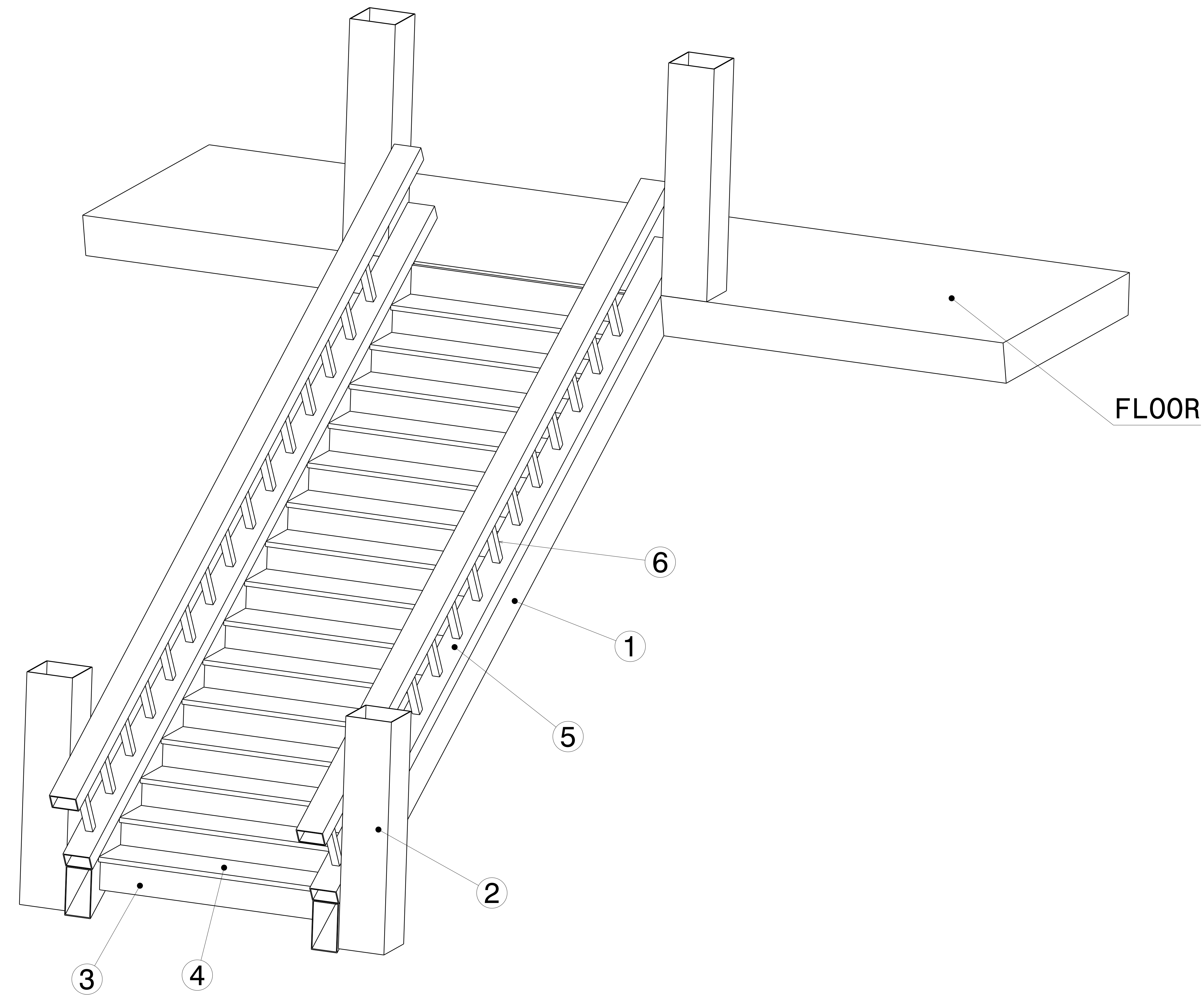



REV/DATE	DESCRIPTION
00 / 18OCT2020	INITIAL REVISION

- NOTES:
- (⊥) ALL VERTICAL SUPPORTS ARE PERPENDICULAR.
 - FLATNESS OF .5MM IS APPLIED BY DEFAULT.
 - ⊲ WELD BEAD OF 2MM RADIUS IS FOLLOWED.
 - ▽▽ SURFACE FINISH MEDIUM TO SMOOTH IS USED.
 - ALL TUBES ARE AS PER APL APOLLO STANDARD. CHANGES MAY EFFECT THE LOAD CAPACITY.
 - ALL HORIZONTAL AND VERTICAL TUBES ARE PERPENDICULAR TO EACH OTHER WITH ±1 DEG.
 - FINE WELDING IS REQUIRED AS PER MENTIONED DETAILS AND FINISHING.
 - HIGHER CURRENT WELDING MAY AFFECT THE BRITTLNESS OF MATERIAL WHICH LATER MAY RAISE TO WEAKENING OF STRUCTURE.
 - FABRICATORS ARE ALLOWED TO USE FITTINGS/FRAMES/SUPPORTS AS NEEDED AND THE SAME MUST BE COMMUNICATED BACK TO ENGINEERING TEAM.
 - BOP COMPONENT WEIGHTS ARE FOR REFERENCE ONLY AND SUBJECTED TO CHANGE PER PURCHASED COMPONENTS.

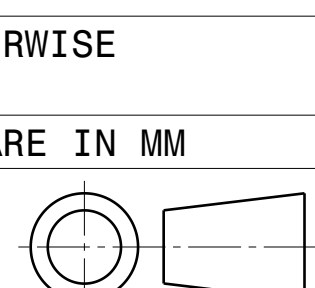


ISOMETRIC VIEW
SCALE : 1:15

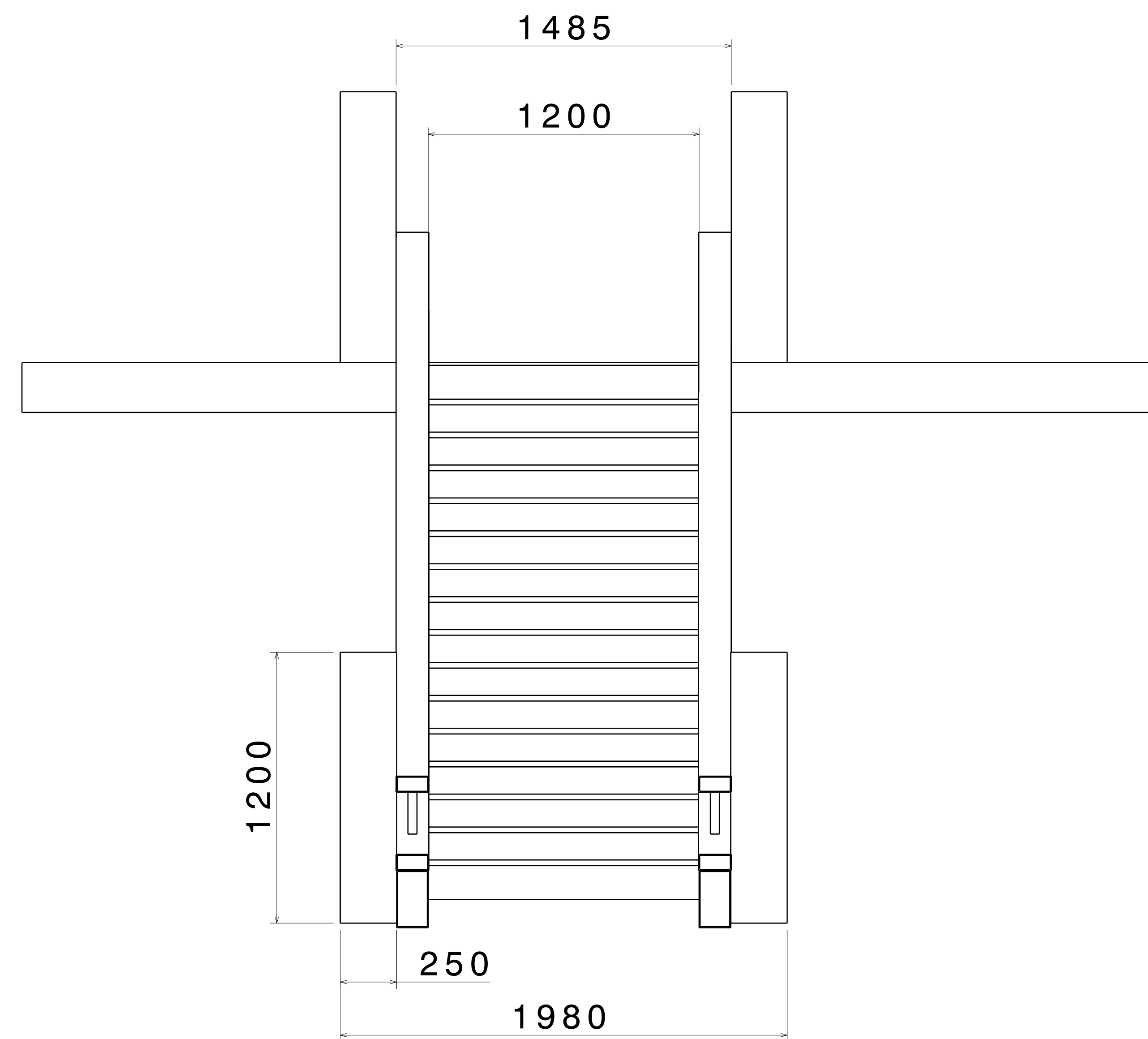
ITEM NO.	PART NUMBER	DESCRIPTION	QTY.	Wt (Kg)/Each
6	SHS FRAME 2	40 X 40 X 2.6 X 318	30	0.97
5	RHS FRAME 2	145 X 82 X 4.8 X 4820	4	79.06
4	RHS PLANK 2	275 X 25 X 1.6 X 1200	15	8.96
3	RHS PLANK 1	150 X 25 X 1.6 X 1200	16	5.19
2	SHS FRAME 1	250 X 250 X 4 X 1200	4	37.12
1	RHS FRAME 1	220 X 140 X 4 X 4626.7	2	100.33

This drawing is our property. It can't be reproduced or communicated without our written agreement.		APL APOLLO TUBES LTD. 	
DRAWN BY VM		DATE 18OCT2020	
CHECKED BY P2P Analysis & Solutions		DATE 18OCT2020	
DESIGNED BY P2P Analysis & Solutions		DATE 18OCT2020	
DRAWING TITLE STAIR CASE 2		SIZE A0	DRAWING NUMBER P2P STAIR CASE 2
SCALE As Indicated		WEIGHT (kg) 0kg	REV 00

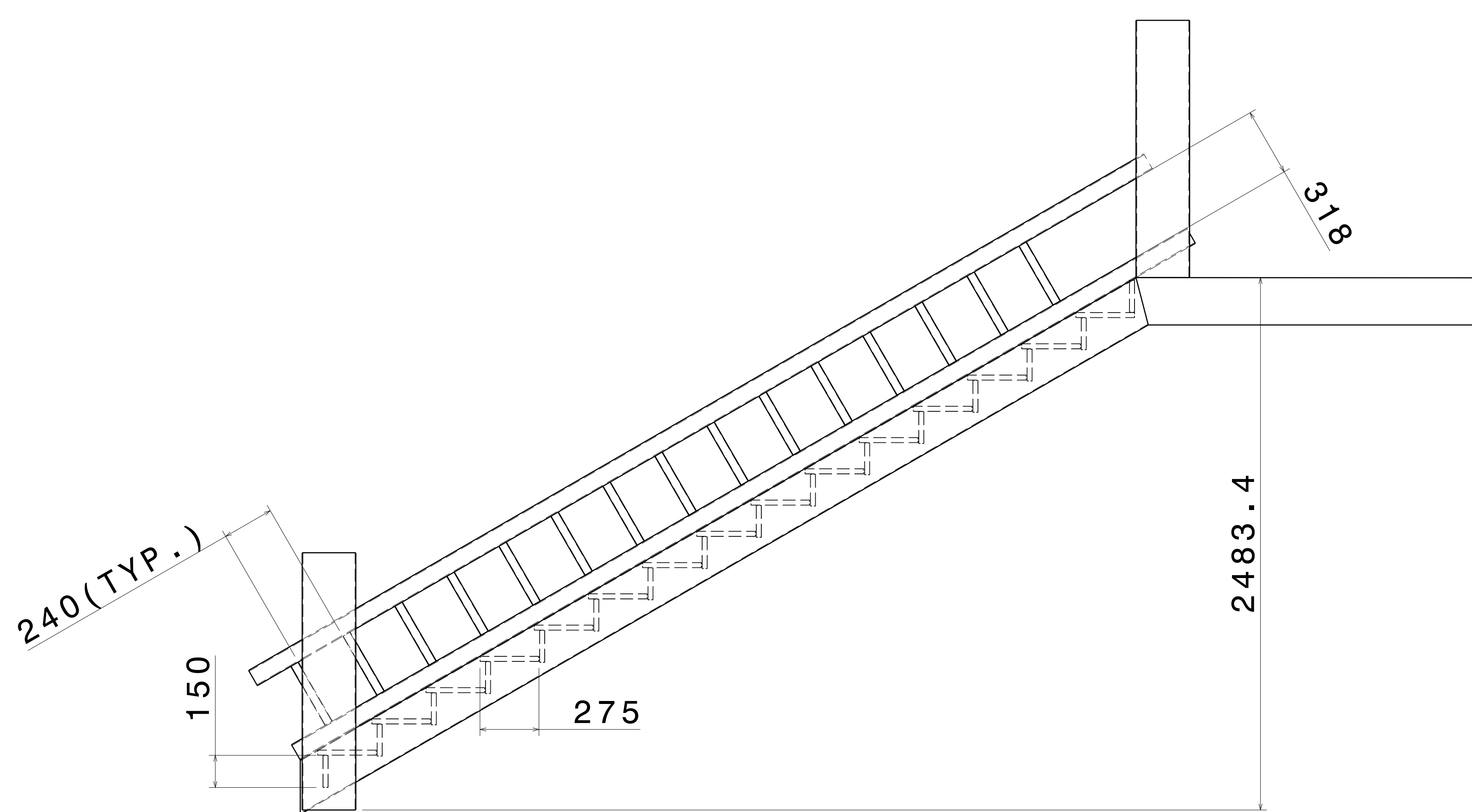
UNLESS OTHERWISE SPECIFIED DIMENSION ARE IN MM
VIEWS: THIRD ANGLE PROJECTION



REV	DATE	DESCRIPTION
00	18OCT2020	INITIAL REVISION



FRONT VIEW
SCALE: 1:15

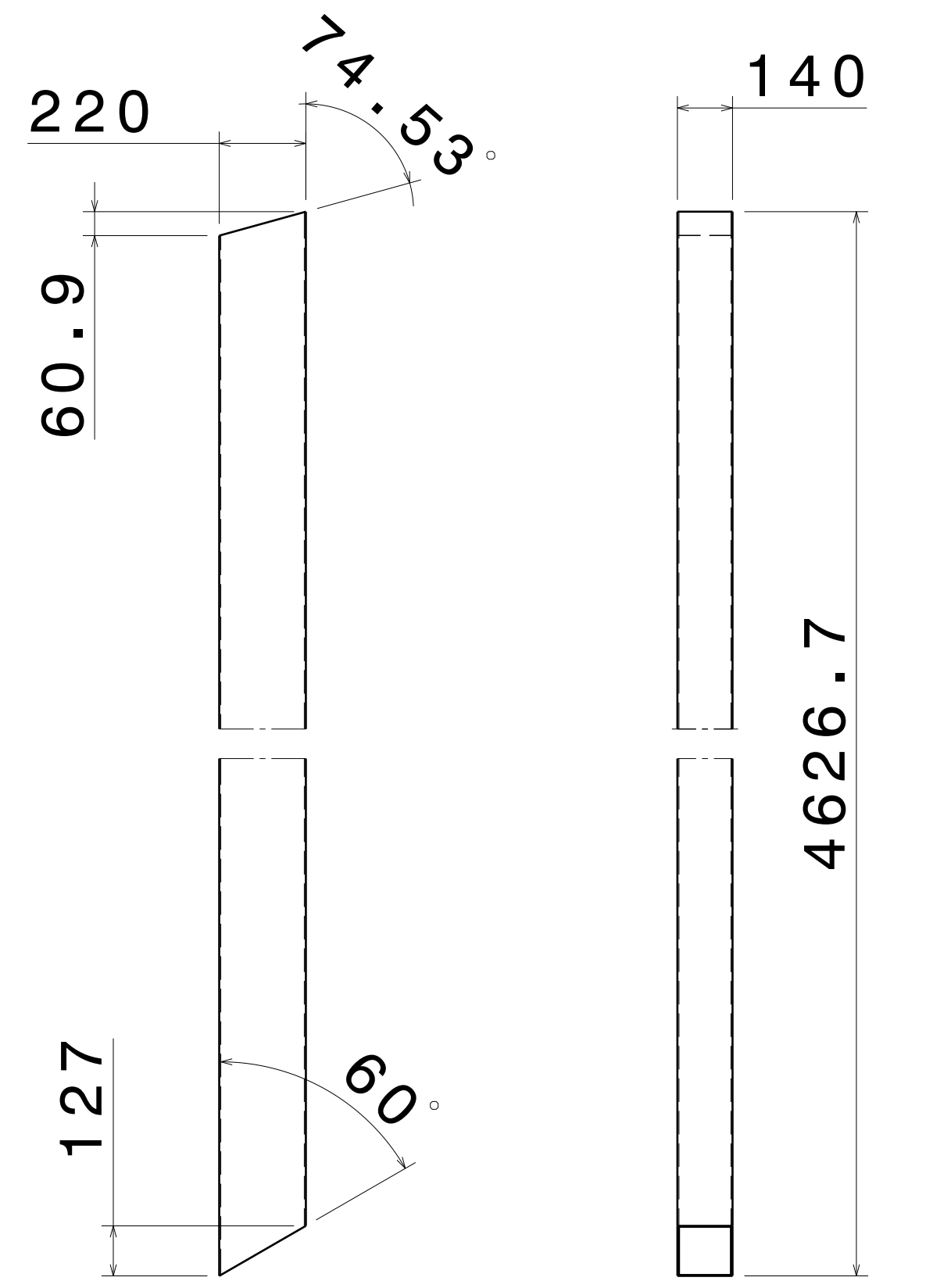


RIGHT VIEW
SCALE: 1:15

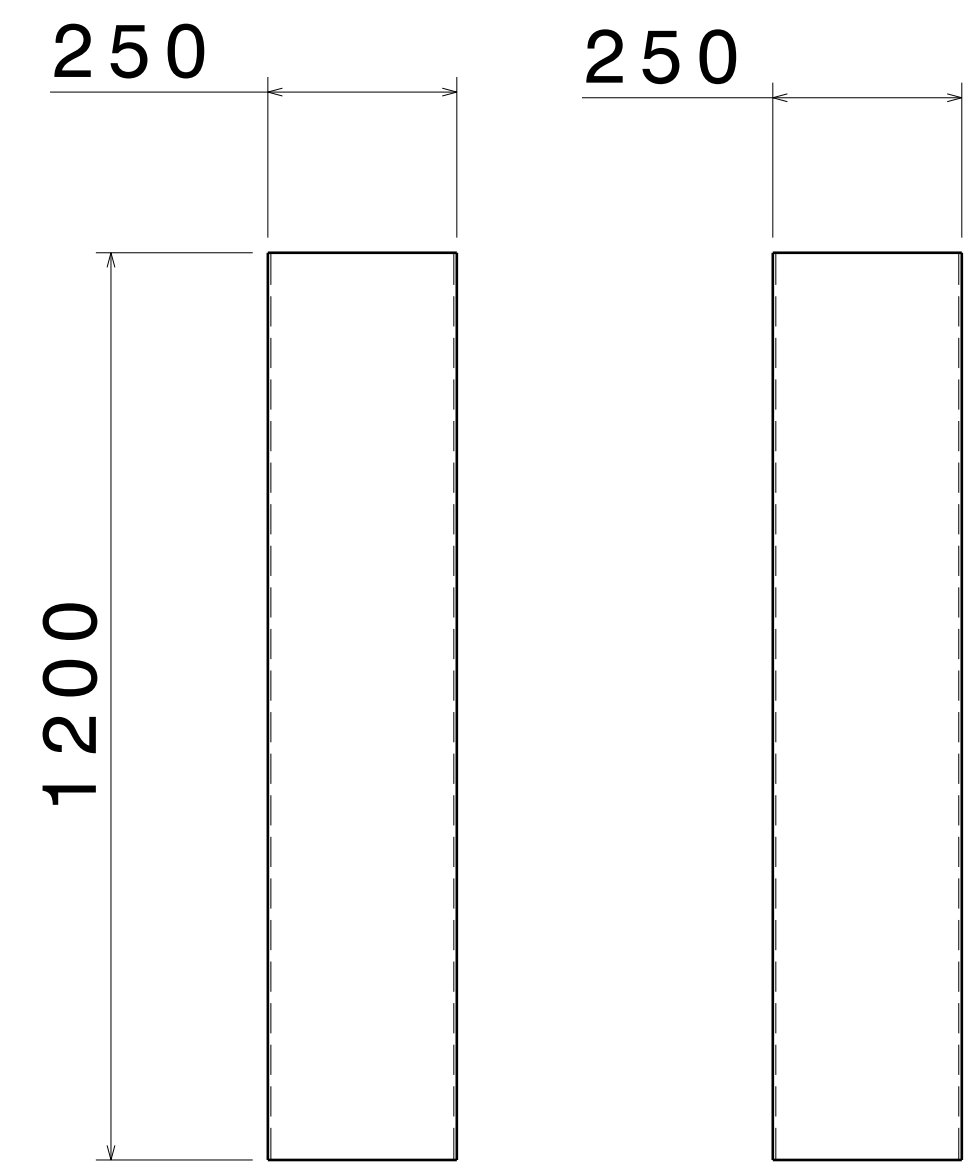
UNLESS OTHERWISE SPECIFIED DIMENSION ARE IN MM
VIEWS: THIRD ANGLE PROJECTION

This drawing is our property. It can't be reproduced or communicated without our written agreement.		APL APOLLO TUBES LTD.	
DRAWN BY SB		DATE 18OCT2020	
CHECKED BY P2P Analysis & Solutions		DATE 18OCT2020	
DESIGNED BY P2P Analysis & Solutions		DATE 18OCT2020	
DRAWING TITLE STAIR CASE_2		SIZE A0	DRAWING NUMBER P2P STAIR CASE 2
SCALE NONE		WEIGHT (kg) XXX	REV 00
		SHEET 2 OF 3	

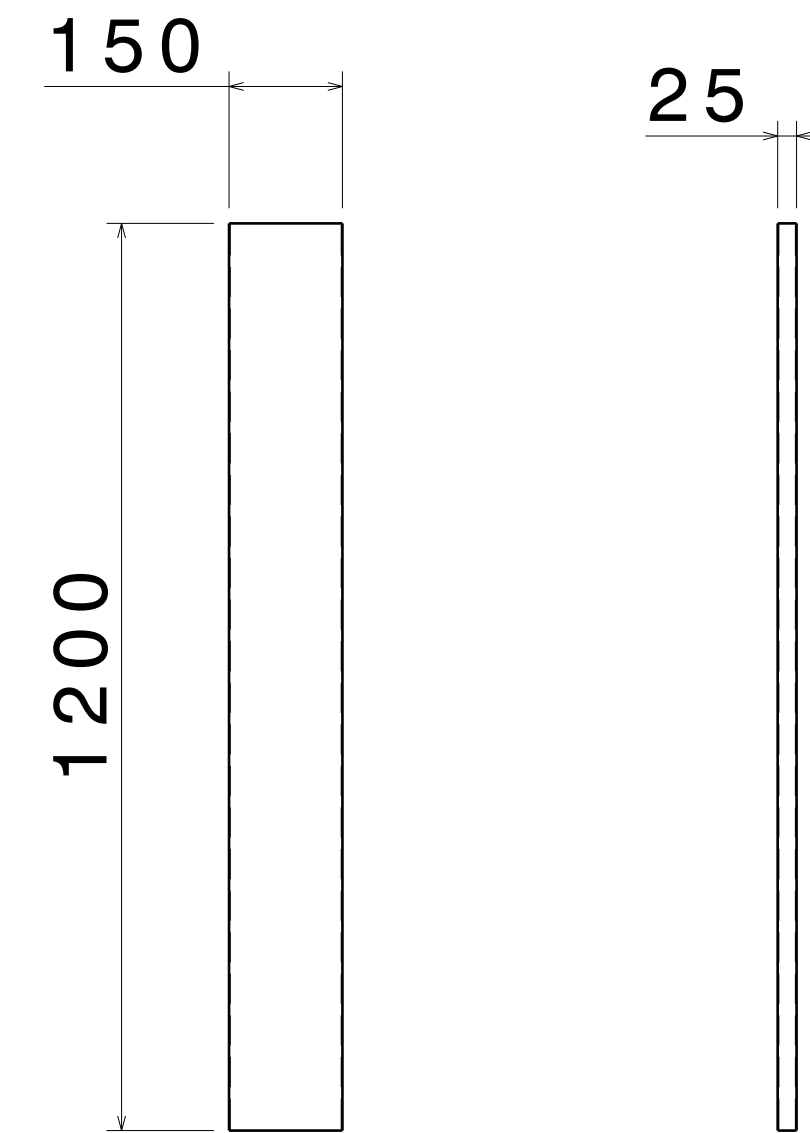
REV	DATE	DESCRIPTION
00	18OCT2020	INITIAL REVISION



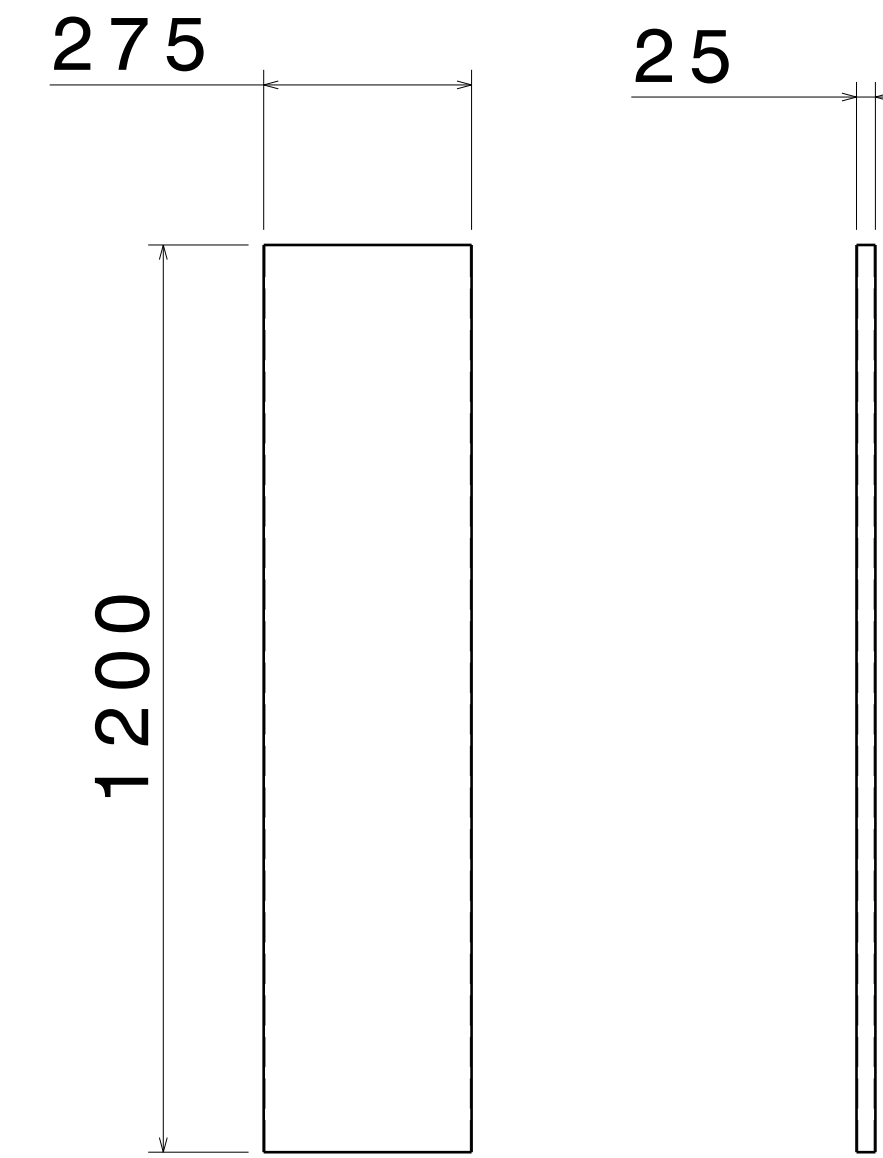
FRONT VIEW RIGHT VIEW
SCALE: 1:15 SCALE: 1:15
ITEM 1, RHS FRAME 1
THICKNESS - 4.0MM



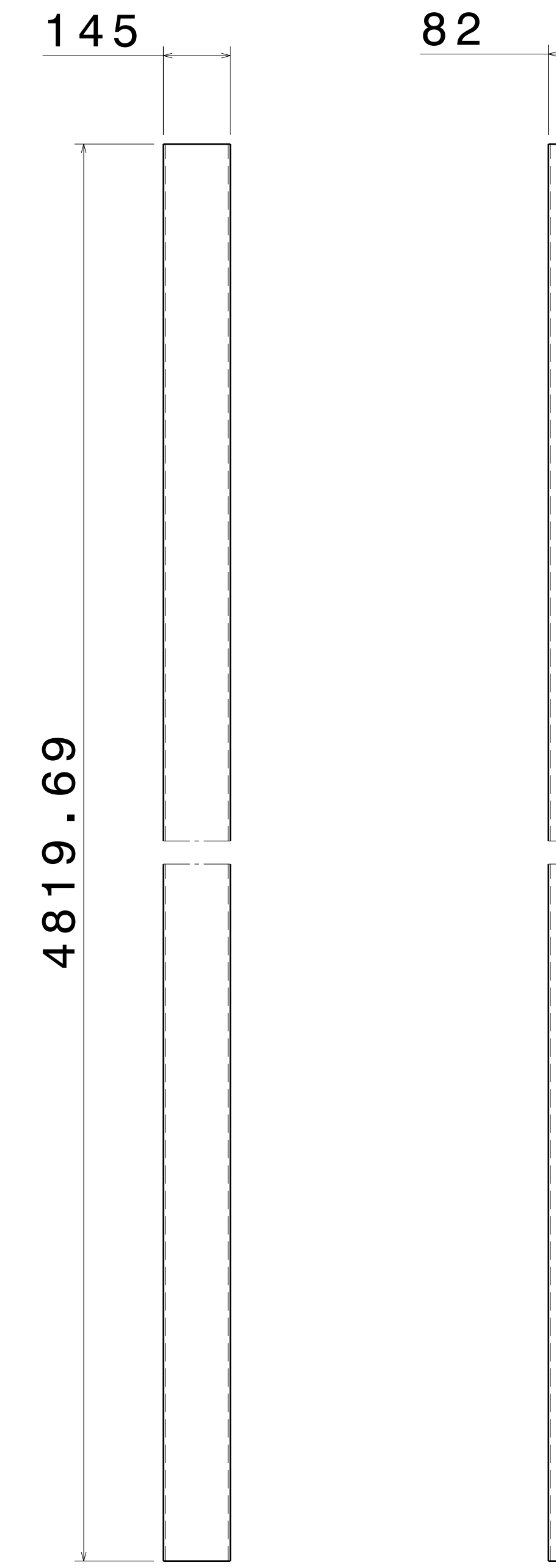
FRONT VIEW RIGHT VIEW
SCALE: 1:10 SCALE: 1:10
ITEM 2, SHS FRAME 1
THICKNESS - 4.0MM



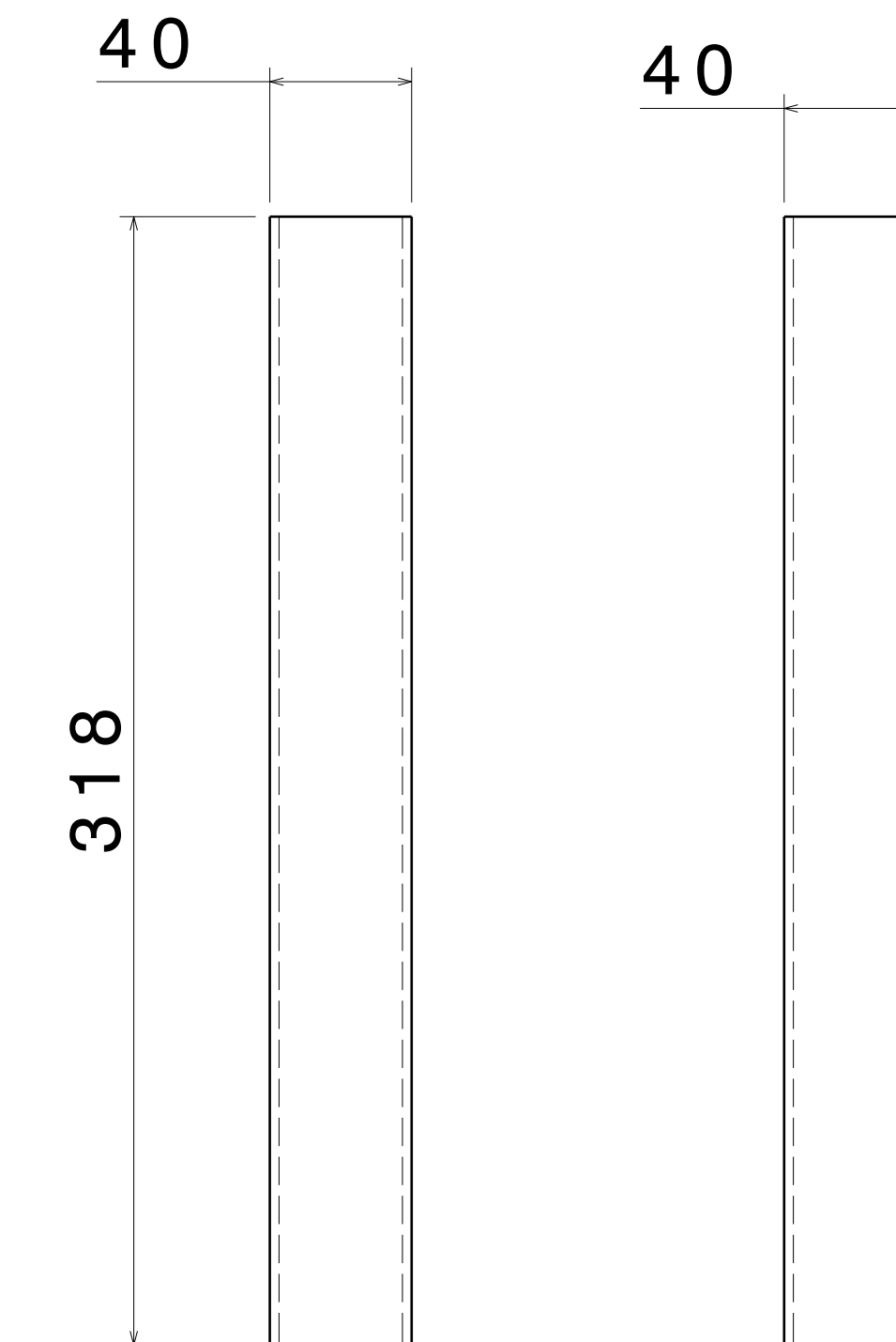
FRONT VIEW RIGHT VIEW
SCALE: 1:10 SCALE: 1:10
ITEM 3, RHS PLANK 1
THICKNESS - 1.6MM



FRONT VIEW RIGHT VIEW
SCALE: 1:10 SCALE: 1:10
ITEM 4, RHS PLANK 2
THICKNESS - 1.6MM



FRONT VIEW RIGHT VIEW
SCALE: 1:10 SCALE: 1:5
ITEM 5, RHS FRAME 2
THICKNESS - 2.6MM



FRONT VIEW RIGHT VIEW
SCALE: 1:2 SCALE: 1:5
ITEM 6, SHS FRAME 3
THICKNESS - 2.6MM

UNLESS OTHERWISE SPECIFIED DIMENSION ARE IN MM
VIEWS: THIRD ANGLE PROJECTION

This drawing is our property. It can't be reproduced or communicated without our written agreement.

DRAWN BY	DATE
SB	18OCT2020
CHECKED BY	DATE
P2P Analysis & Solutions	18OCT2020
DESIGNED BY	DATE
P2P Analysis & Solutions	18OCT2020

APL APOLLO TUBES LTD.	
DRAWING TITLE	
STAIR CASE 2	
SIZE	DRAWING NUMBER
A0	P2P STAIR CASE 2
SCALE	WEIGHT (kg)
NONE	XXX
REV	SHEET 3 OF 3
00	