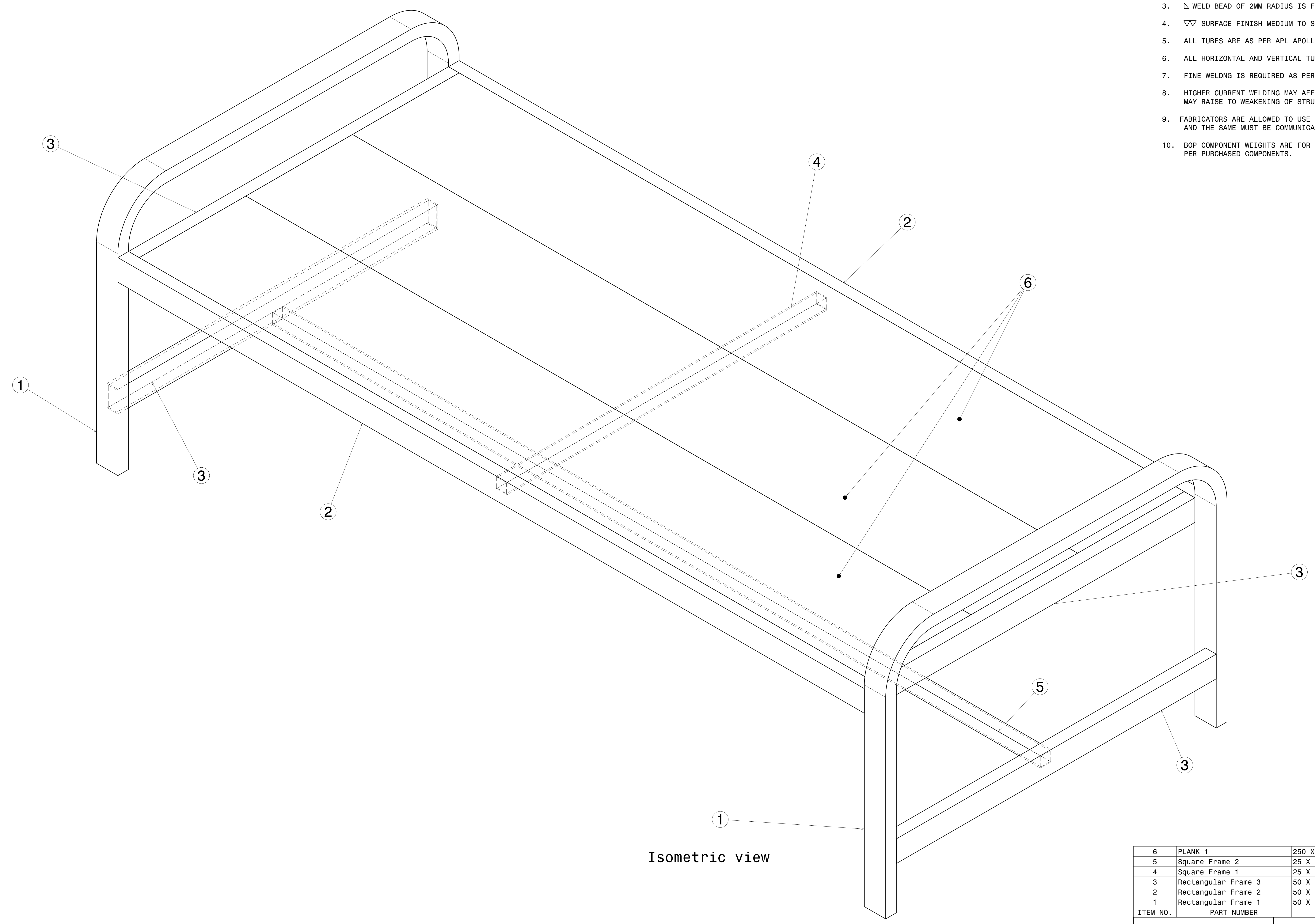



REV	DATE	DESCRIPTION
00	29AUG2020	INITIAL REVISION

- NOTES:
- (⊥) ALL VERTICAL SUPPORTS ARE PERPENDICULAR.
 - FLATNESS OF .5MM IS APPLIED BY DEFAULT.
 - ⊲ WELD BEAD OF 2MM RADIUS IS FOLLOWED.
 - ▽ SURFACE FINISH MEDIUM TO SMOOTH IS USED.
 - ALL TUBES ARE AS PER APL APOLLO STANDARD. CHANGES MAY EFFECT THE LOAD CAPACITY.
 - ALL HORIZONTAL AND VERTICAL TUBES ARE PERPENDICULAR TO EACH OTHER WITH ±1 DEG.
 - FINE WELDING IS REQUIRED AS PER MENTIONED DETAILS AND FINISHING.
 - HIGHER CURRENT WELDING MAY AFFECT THE BRITTLENESS OF MATERIAL WHICH LATER MAY RAISE TO WEAKENING OF STRUCTURE.
 - FABRICATORS ARE ALLOWED TO USE FITTINGS/FRAMES/SUPPORTS AS NEEDED AND THE SAME MUST BE COMMUNICATED BACK TO ENGINEERING TEAM.
 - BOP COMPONENT WEIGHTS ARE FOR REFERENCE ONLY AND SUBJECTED TO CHANGE PER PURCHASED COMPONENTS.

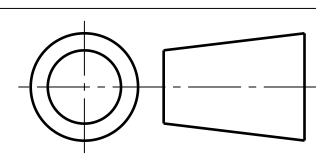


Isometric view

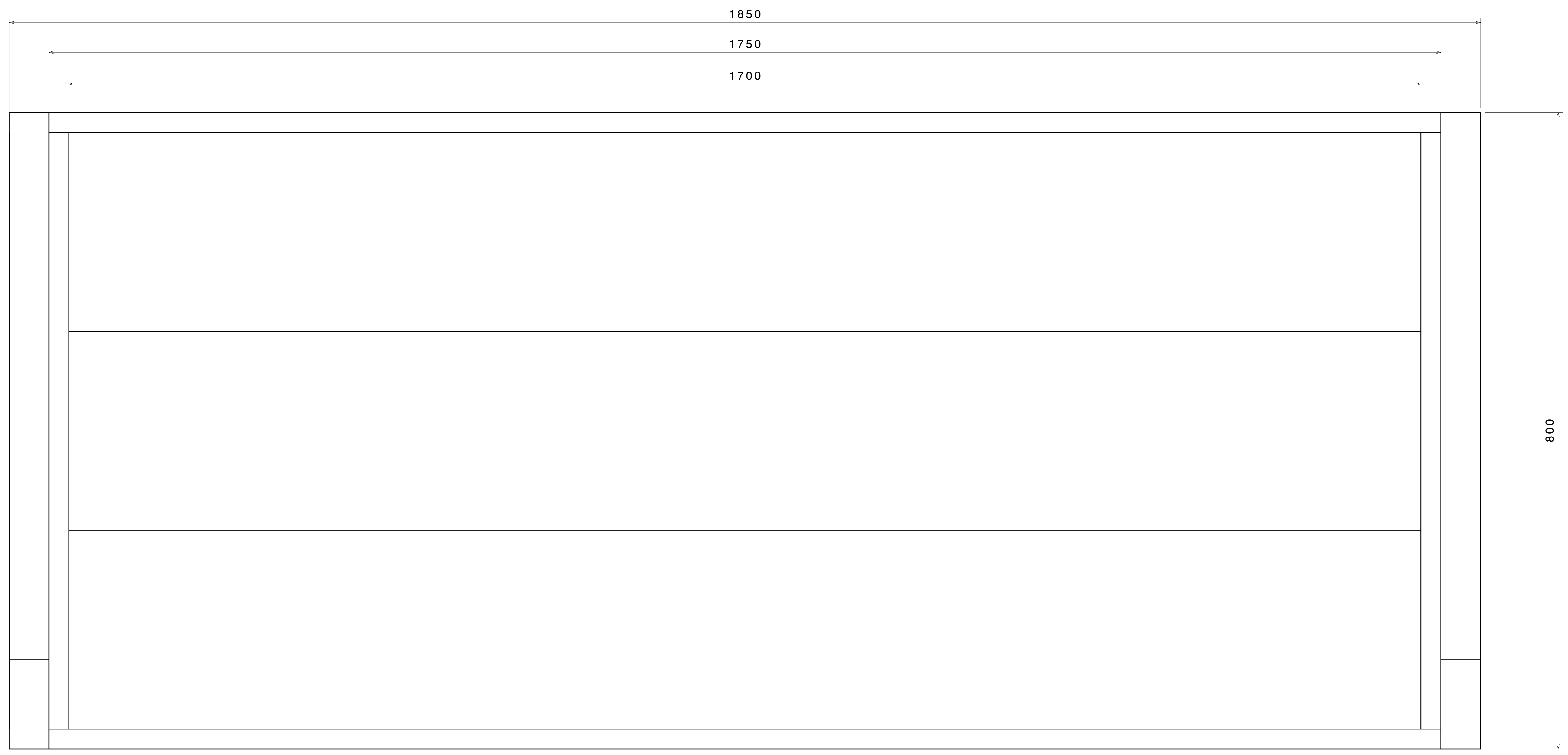
ITEM NO.	PART NUMBER	DESCRIPTION	QTY.	Wt (kg)/Each
6	PLANK 1	250 X 25 X 1.6 X 1700	3	14.48
5	Square Frame 2	25 X 25 X 1.6 X 1800	1	2.12
4	Square Frame 1	25 X 25 X 1.6 X 750	1	0.89
3	Rectangular Frame 3	50 X 25 X 2.6 X 750	4	2.14
2	Rectangular Frame 2	50 X 25 X 2.6 X 1750	2	5
1	Rectangular Frame 1	50 X 25 X 2.6 X 1850	2	5.5

This drawing is our property. It can't be reproduced or communicated without our written agreement.		APL APOLLO TUBES LTD. 	
DRAWN BY		DATE	
SB		29AUG2020	
CHECKED BY		DATE	
P2P Analysis & Solutions		29AUG2020	
DESIGNED BY		DATE	
P2P Analysis & Solutions		29AUG2020	
UNLESS OTHERWISE SPECIFIED DIMENSION ARE IN MM		DRAWING TITLE	
VIEWS: THIRD ANGLE PROJECTION		BED CUM BENCH	
SIZE	DRAWING NUMBER	REV	
A0	P2P BED CUM BENCH	00	
SCALE	WEIGHT(kg)	Okg	SHEET 1 OF 3
As Indicated			

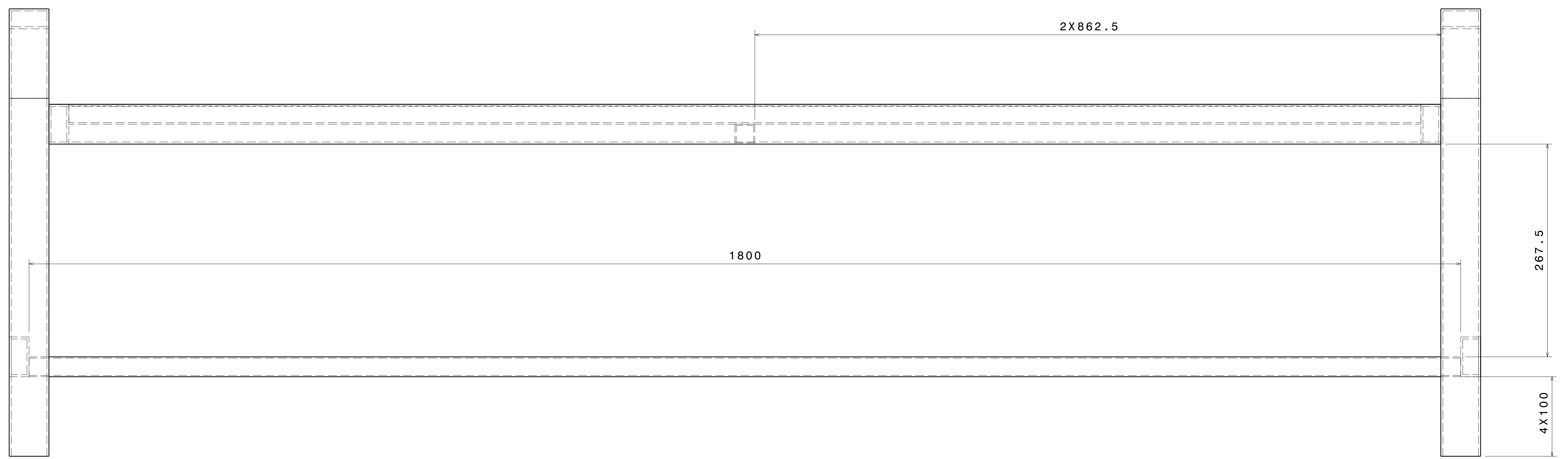
UNLESS OTHERWISE SPECIFIED DIMENSION ARE IN MM
 VIEWS: THIRD ANGLE PROJECTION



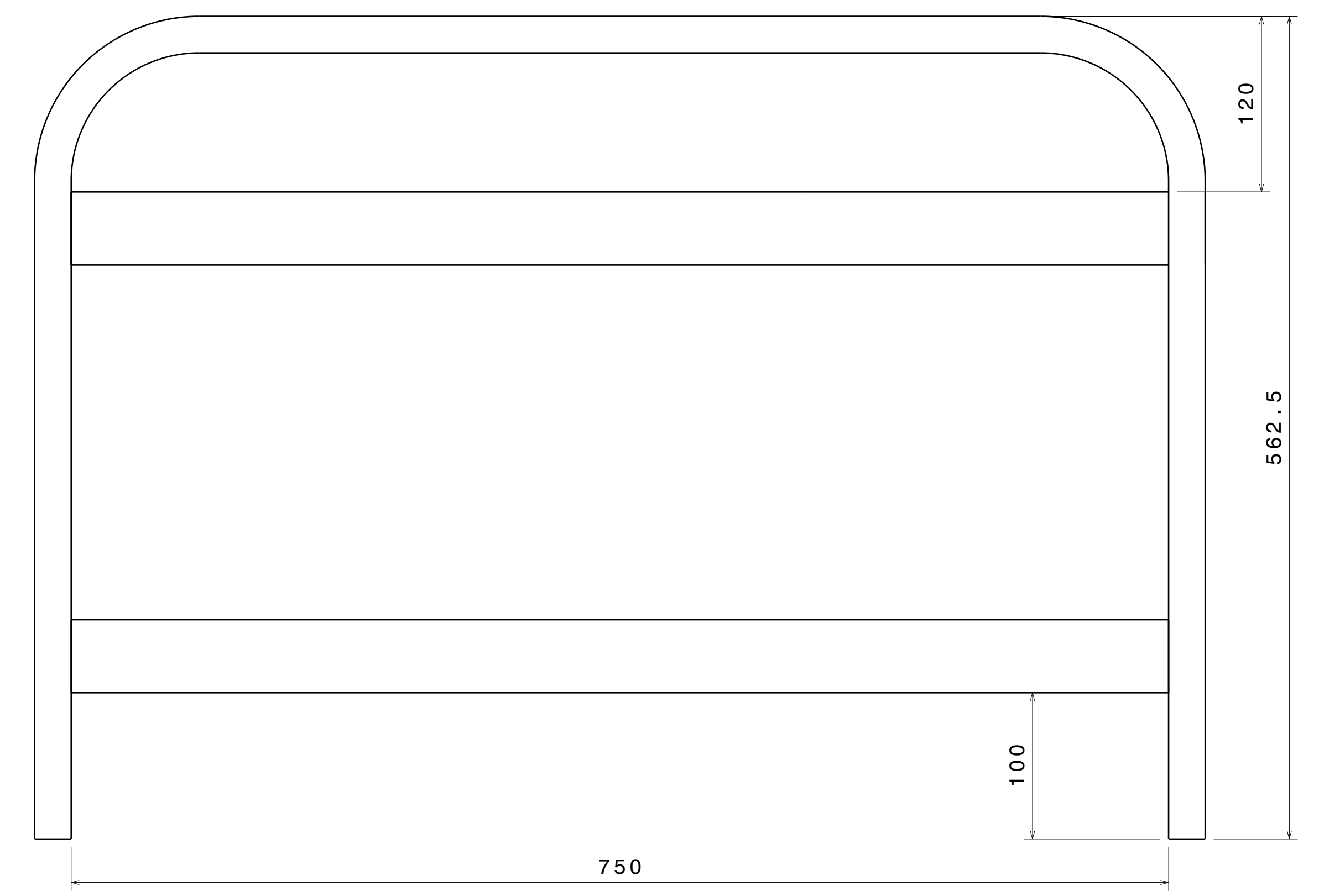
REV	DATE	DESCRIPTION
00	29AUG2020	INITIAL REVISION



Top view
Scale: 7:20

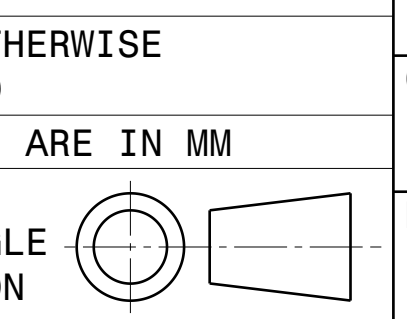



Front view



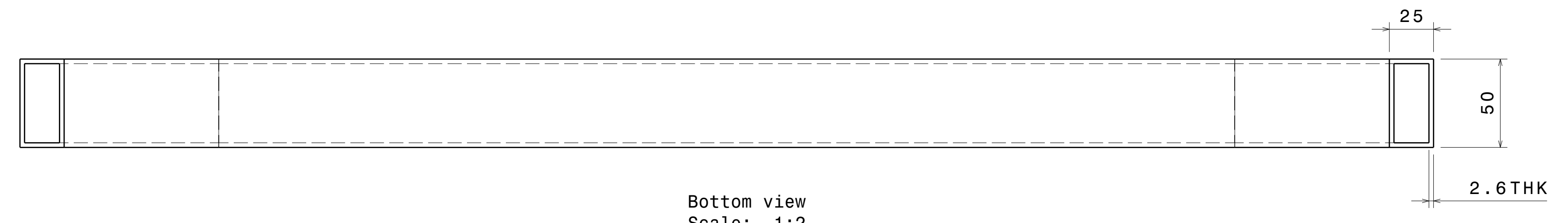
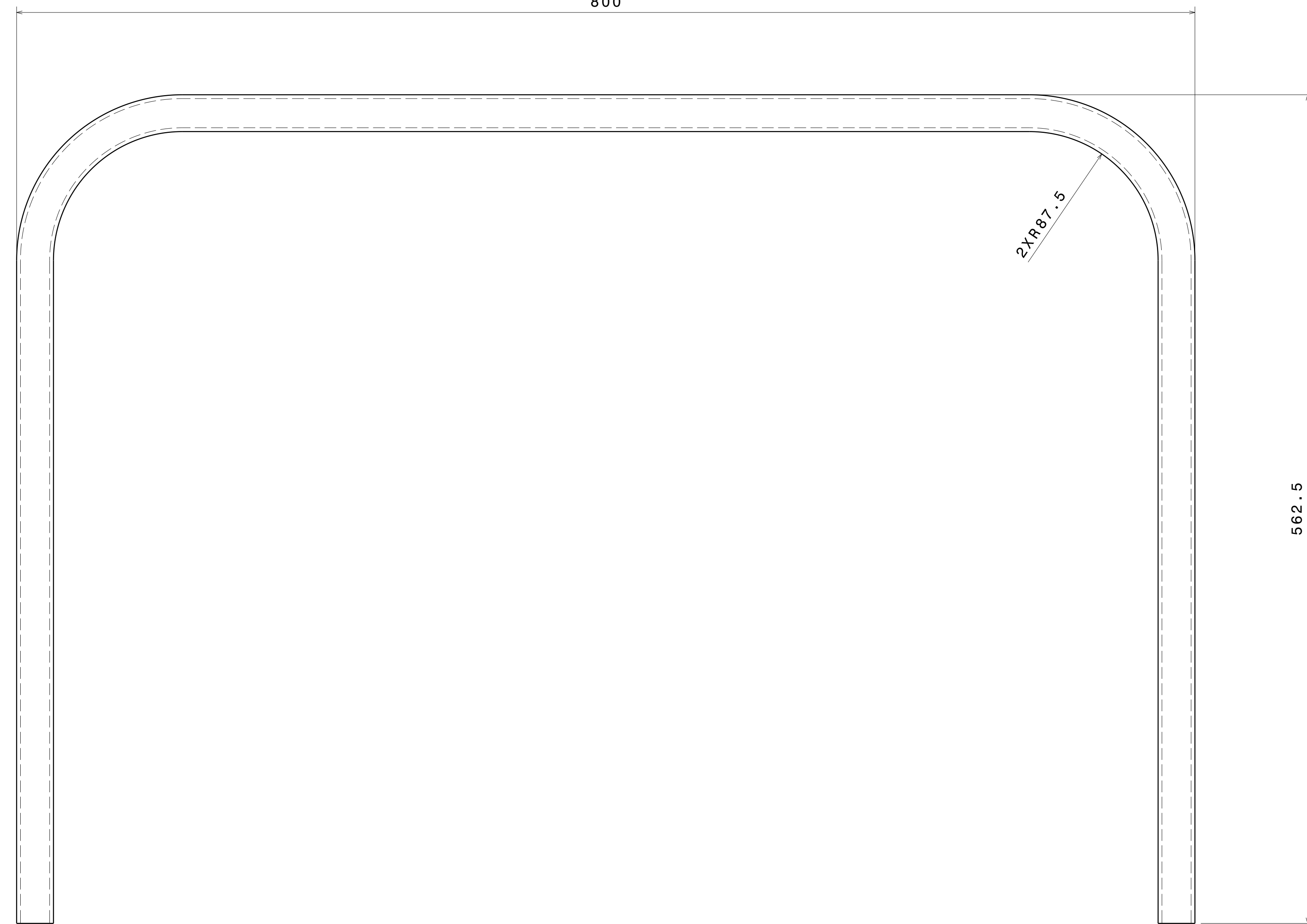
Right view
Scale: 7:20

UNLESS OTHERWISE SPECIFIED DIMENSION ARE IN MM VIEWS: THIRD ANGLE PROJECTION

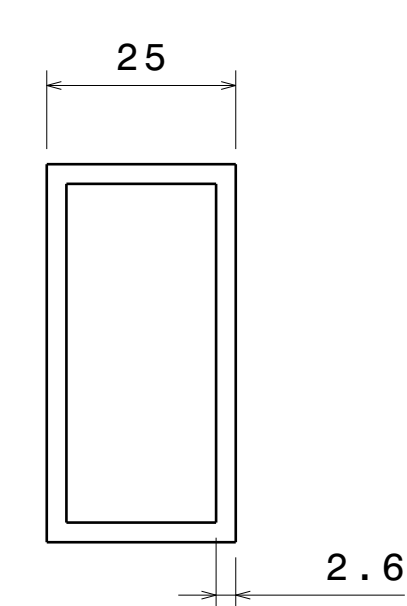
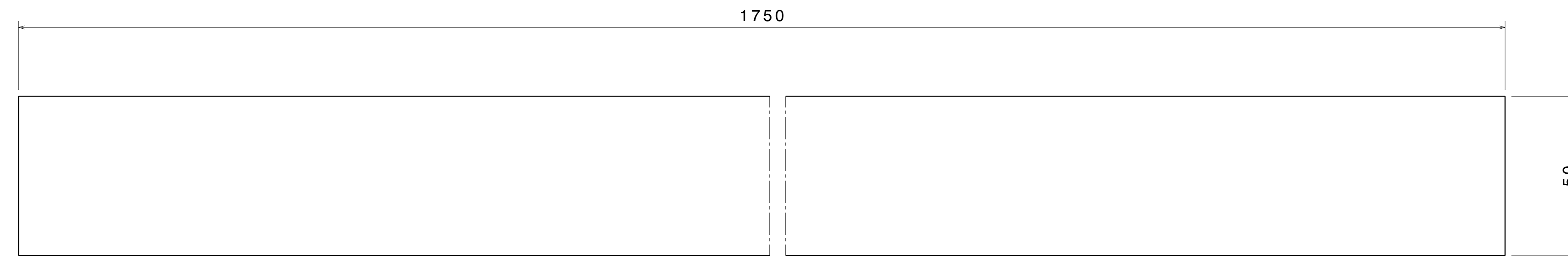


This drawing is our property. It can't be reproduced or communicated without our written agreement.		APL APOLLO TUBES LTD. 	
DRAWN BY SB		DATE 29AUG2020	
CHECKED BY P2P Analysis & Solutions		DATE 29AUG2020	
DESIGNED BY P2P Analysis & Solutions		DATE 29AUG2020	
DRAWING TITLE BED CUM BENCH		SIZE A0	DRAWING NUMBER P2P BED CUM BENCH
SCALE NONE	WEIGHT (kg) XXX	REV 00	SHEET 2 OF 3

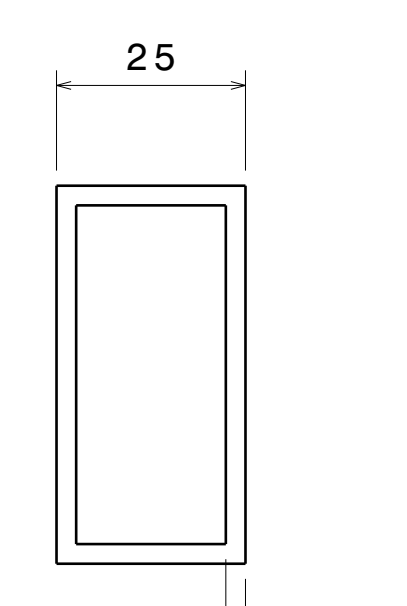
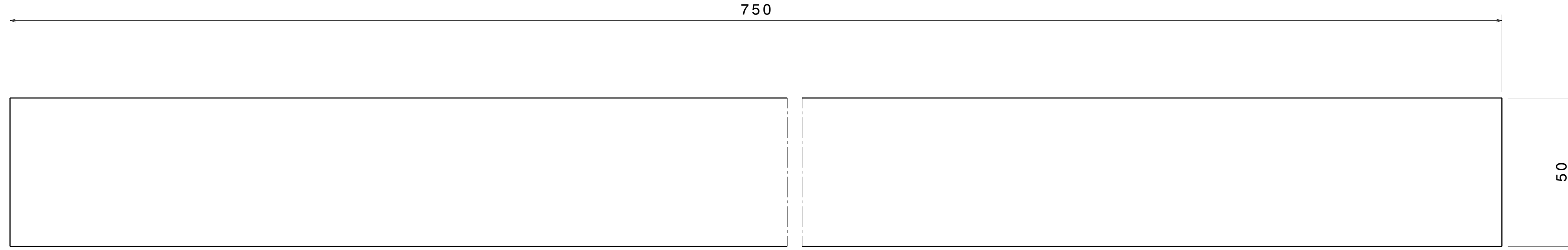
REV	DATE	DESCRIPTION
00	29AUG2020	INITIAL REVISION



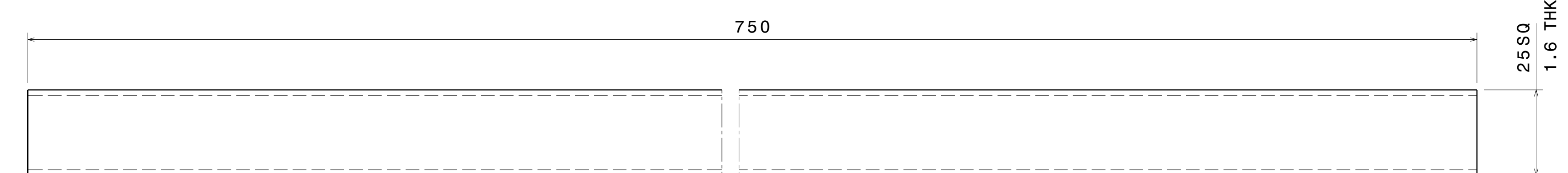
Bottom view
Scale: 1:2



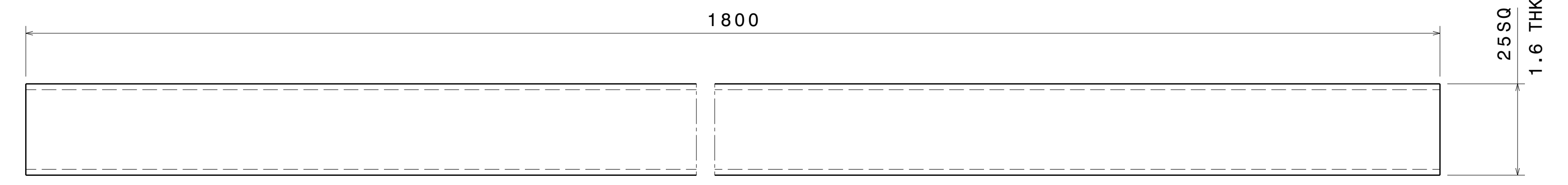
Right view
Scale: 1:1



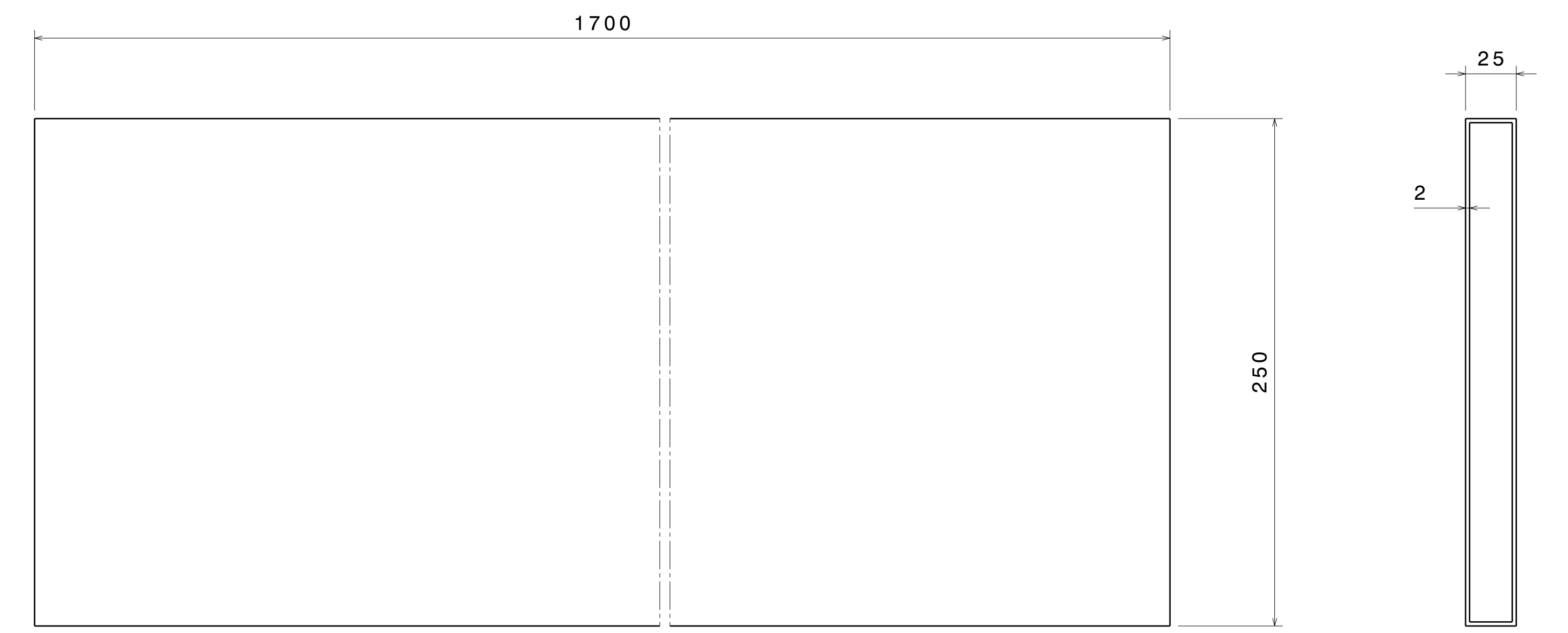
Right view
Scale: 1:1



ITEM 4



ITEM 5



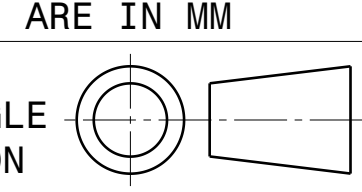
ITEM 6

Right view
Scale: 1:2

This drawing is our property. It can't be reproduced or communicated without our written agreement.

APL APOLLO TUBES LTD. 

UNLESS OTHERWISE SPECIFIED DIMENSION ARE IN MM VIEWS: THIRD ANGLE PROJECTION



DRAWN BY	DATE
SB	29AUG2020
CHECKED BY	DATE
P2P Analysis & Solutions	29AUG2020
DESIGNED BY	DATE
P2P Analysis & Solutions	29AUG2020

DRAWING TITLE			
BED CUM BENCH			
SIZE	DRAWING NUMBER	REV	
A0	P2P BED CUM BENCH	00	
SCALE	NONE	WEIGHT (kg)	XXX
			SHEET 3 OF 3