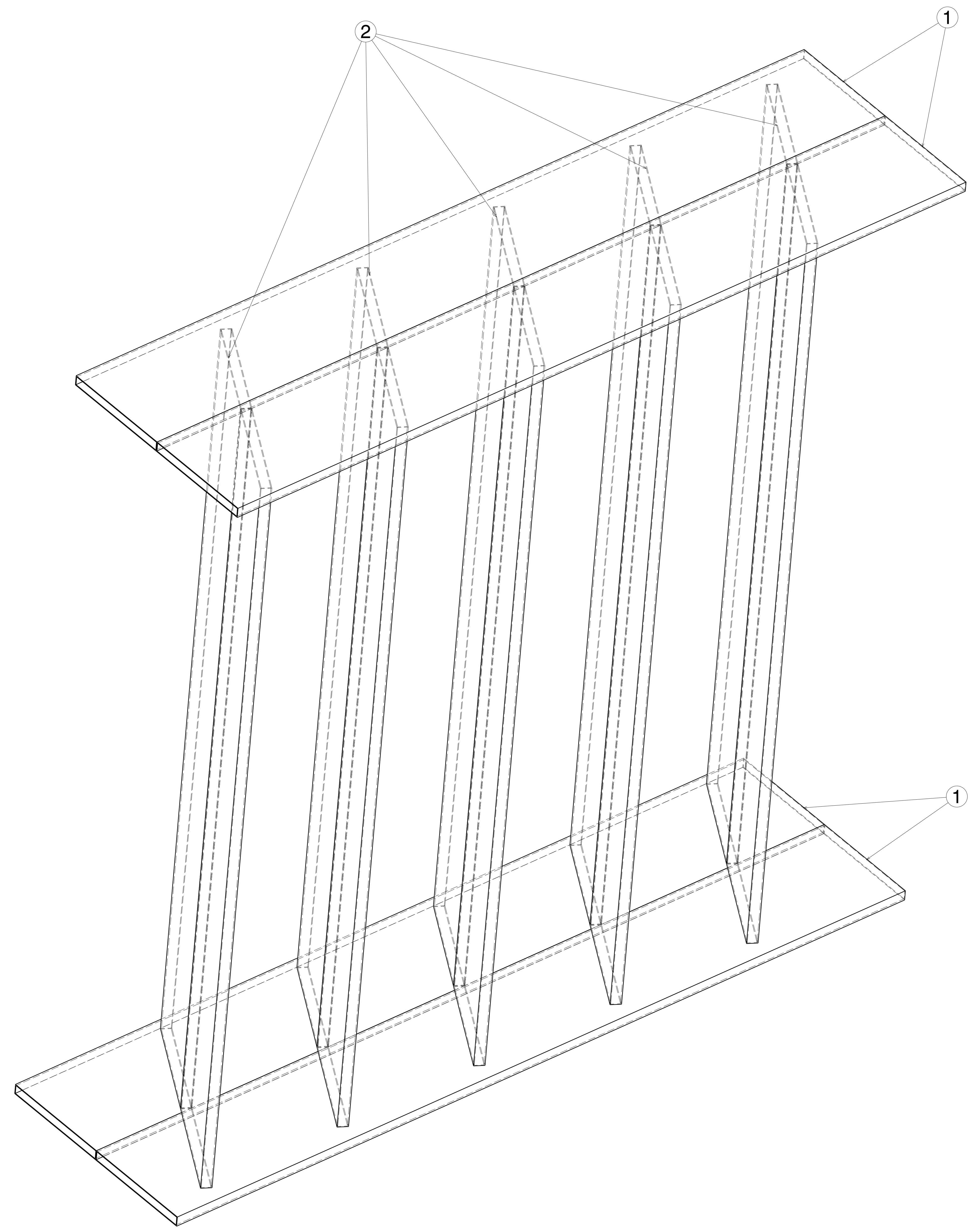


REV/DATE	DESCRIPTION
00 16SEP2020	INITIAL REVISION

NOTES:

- (⊥) ALL VERTICAL SUPPORTS ARE PERPENDICULAR.
- FLATNESS OF .5MM IS APPLIED BY DEFAULT.
- ⊲ WELD BEAD OF 2MM RADIUS IS FOLLOWED.
- ▽ SURFACE FINISH MEDIUM TO SMOOTH IS USED.
- ALL TUBES ARE AS PER APL APOLLO STANDARD. CHANGES MAY EFFECT THE LOAD CAPACITY.
- ALL HORIZONTAL AND VERTICAL TUBES ARE PERPENDICULAR TO EACH OTHER WITH ±1 DEG.
- FINE WELDING IS REQUIRED AS PER MENTIONED DETAILS AND FINISHING.
- HIGHER CURRENT WELDING MAY AFFECT THE BRITTLENESS OF MATERIAL WHICH LATER MAY RAISE TO WEAKENING OF STRUCTURE.
- FABRICATORS ARE ALLOWED TO USE FITTINGS/FRAMES/SUPPORTS AS NEEDED AND THE SAME MUST BE COMMUNICATED BACK TO ENGINEERING TEAM.
- BOP COMPONENT WEIGHTS ARE FOR REFERENCE ONLY AND SUBJECTED TO CHANGE PER PURCHASED COMPONENTS.



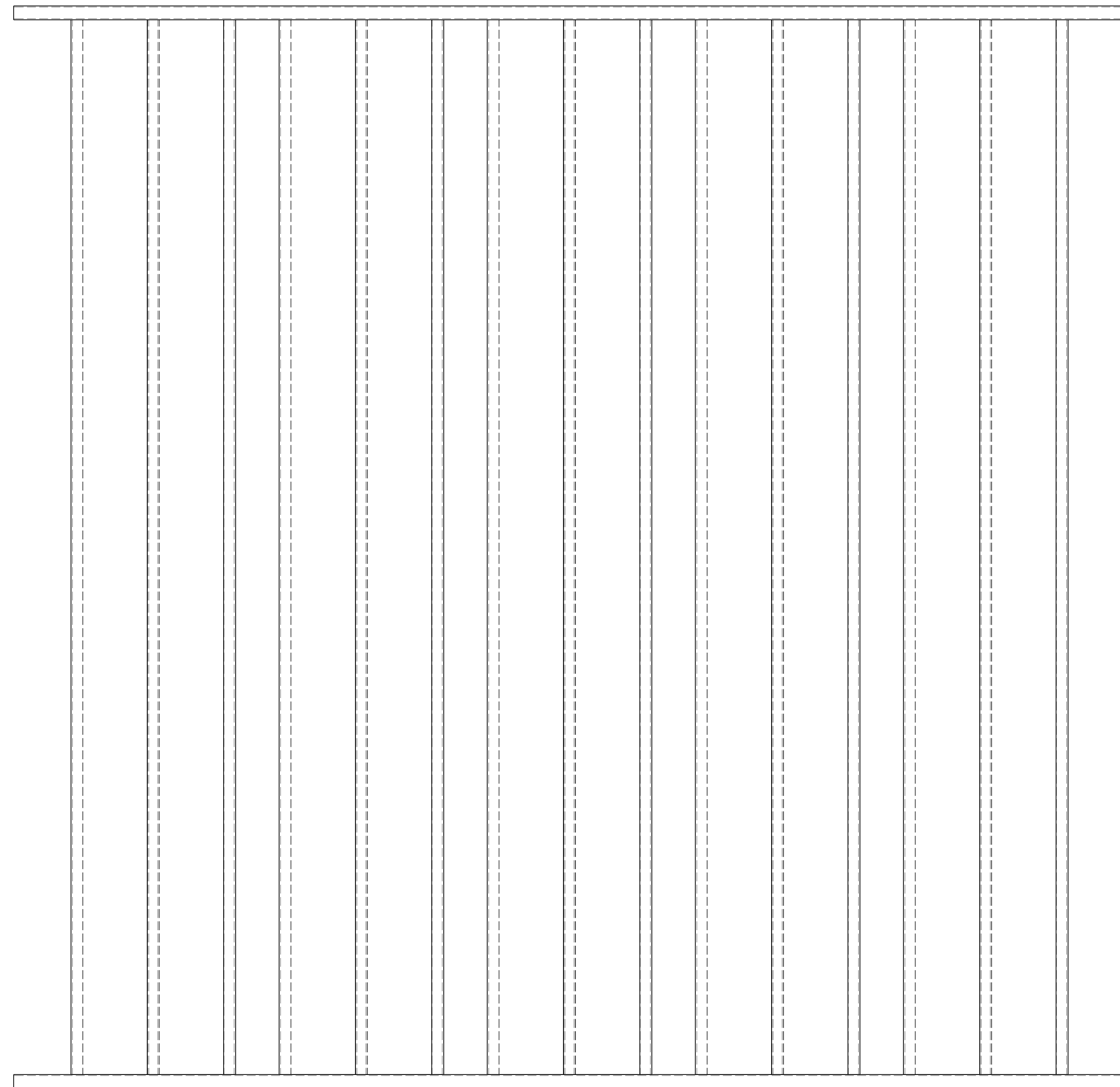
ISOMETRIC VIEW

ITEM NO.	PART NUMBER	DESCRIPTION	QTY.	Wt (Kg)/Each
2	Wall Partition 2 Plank 2	275 X 25 X 2 X 1900	10	17.7
1	Wall Partition 2 Plank 1	275 X 25 X 2 X 2000	4	18.62

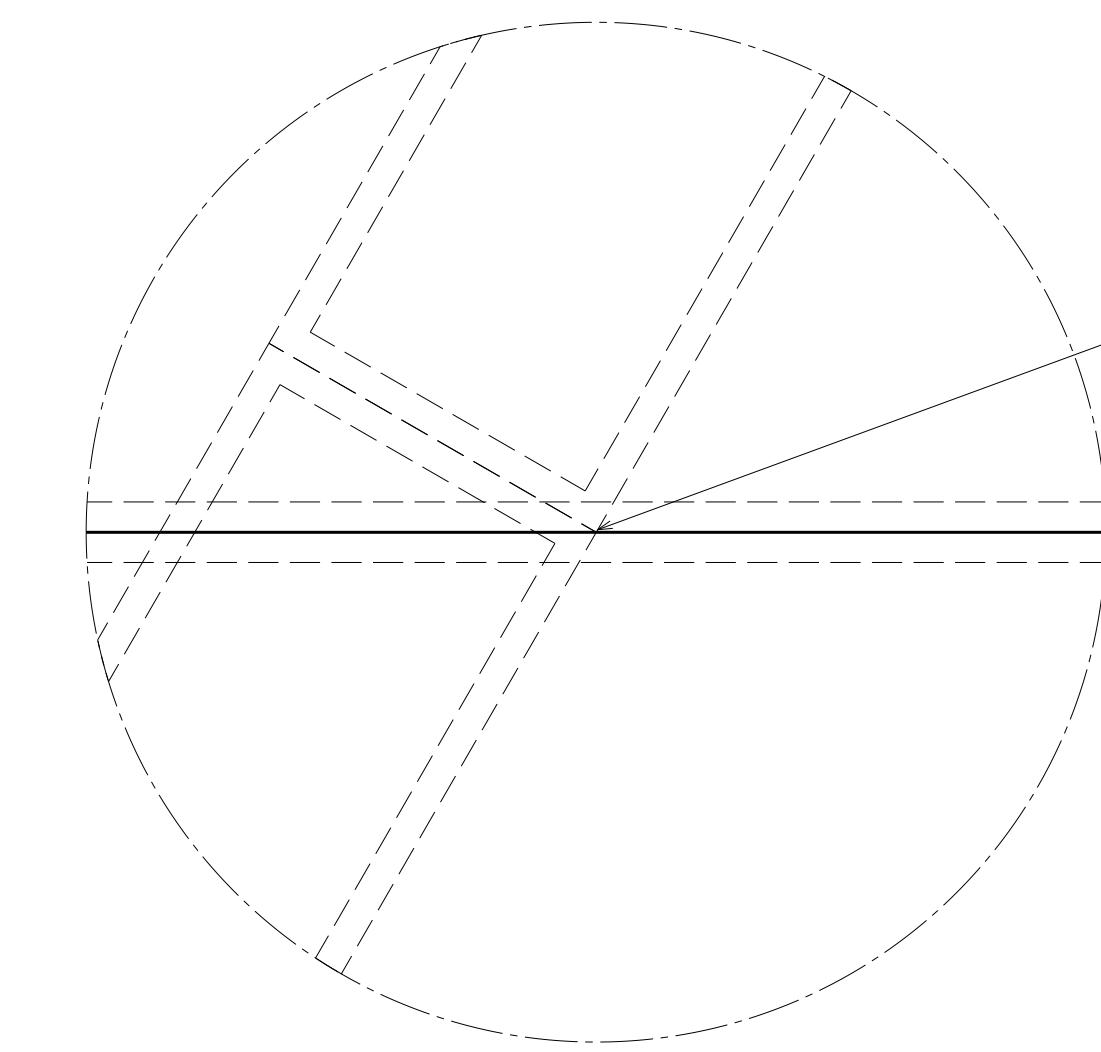
This drawing is our property. It can't be reproduced or communicated without our written agreement.		APL APOLLO TUBES LTD.	
DRAWING TITLE			
Wall Partition 2			
DRAWN BY	DATE	SIZE	DRAWING NUMBER
SB	16SEP2020	A0	P2P Wall Partition 2
CHECKED BY	DATE	SCALE	REV
P2P Analysis & Solutions	16SEP2020	As Indicated	00
DESIGNED BY	DATE	WEIGHT(kg)	SHEET 1 OF 3
P2P Analysis & Solutions	16SEP2020	0kg	

UNLESS OTHERWISE SPECIFIED DIMENSION ARE IN MM
 VIEWS: THIRD ANGLE PROJECTION

REV	DATE	DESCRIPTION
00	16SEP2020	INITIAL REVISION

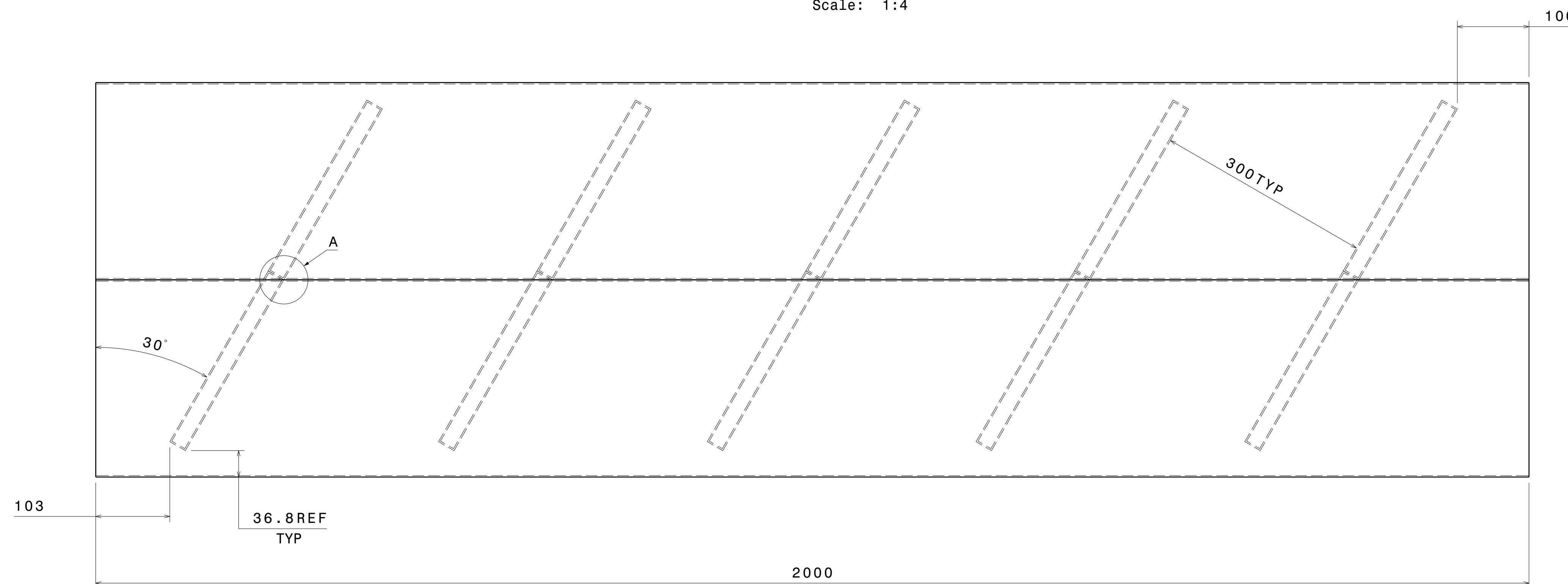


Top view
Scale: 1:4

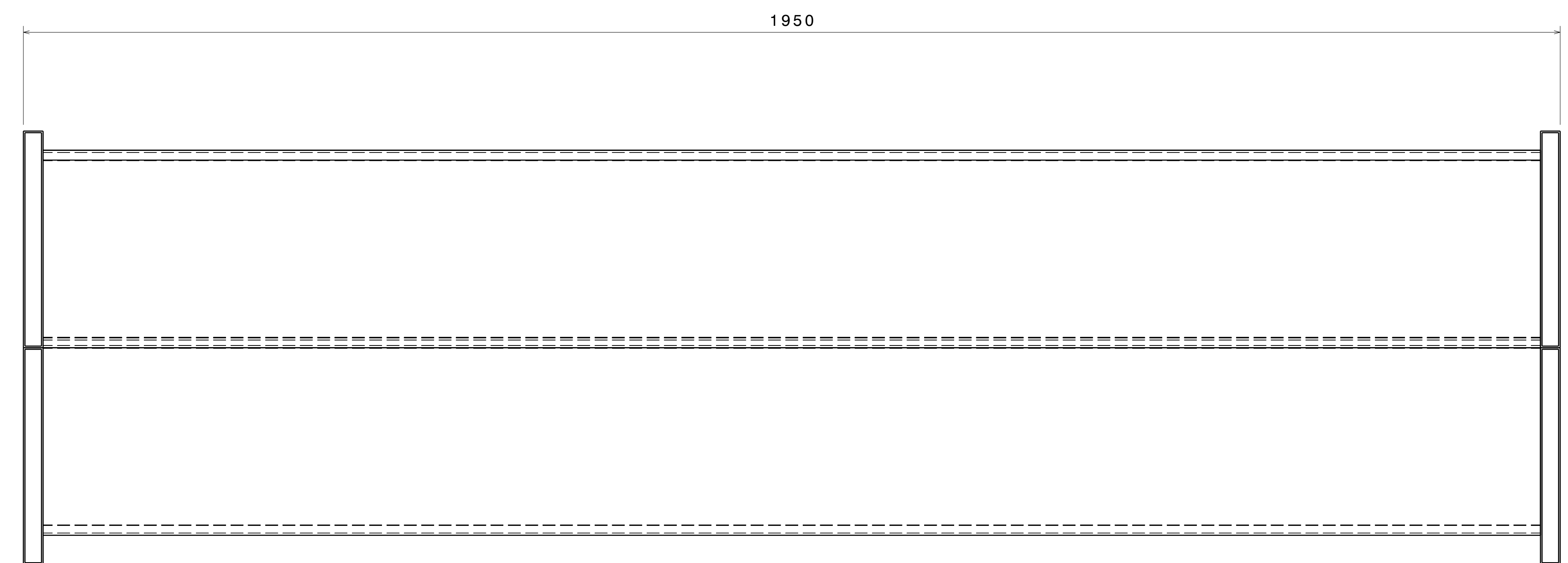


ITEM 2, PLANKS ARE TO BE COINCIDED AT THE JOINING LINE OF ITEM 1, PLANKS

Detail A
Scale: 2:1

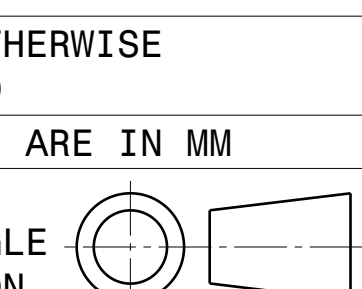



Front view
Scale: 1:4



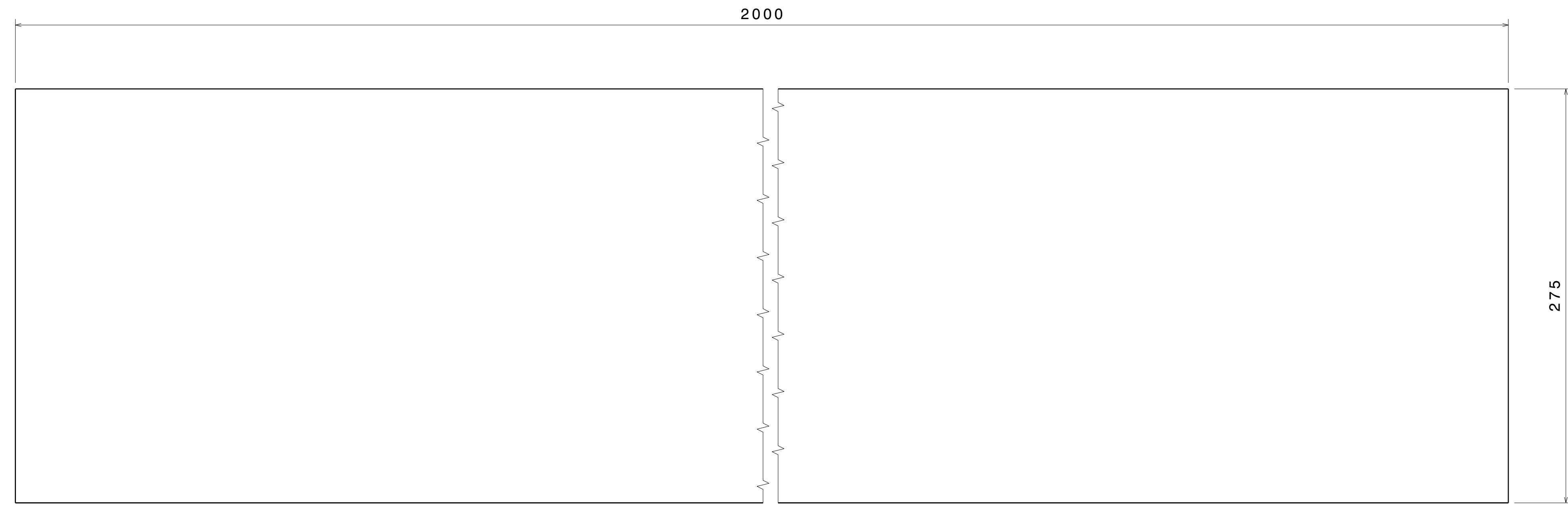
Right view
Scale: 1:4

UNLESS OTHERWISE SPECIFIED DIMENSION ARE IN MM
VIEWS: THIRD ANGLE PROJECTION

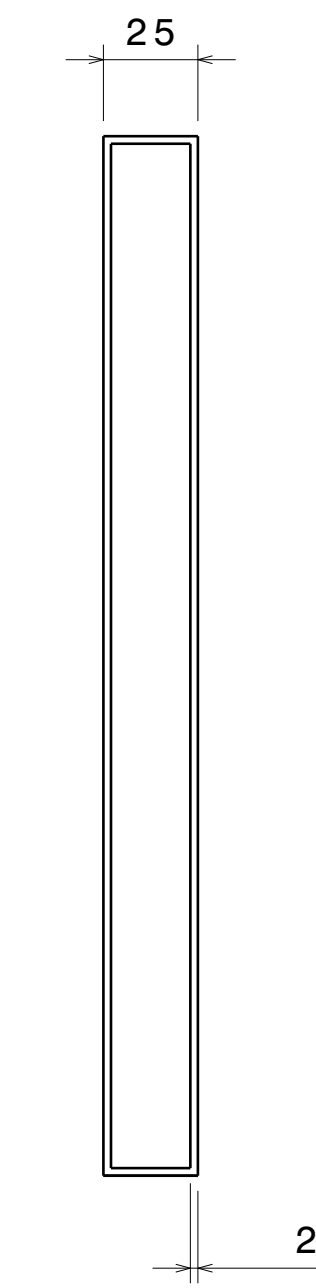


This drawing is our property. It can't be reproduced or communicated without our written agreement.		APL APOLLO TUBES LTD. 	
DRAWN BY SB		DATE 16SEP2020	
CHECKED BY P2P Analysis & Solutions		DATE 16SEP2020	
DESIGNED BY P2P Analysis & Solutions		DATE 16SEP2020	
DRAWING TITLE Wall Partition 2		SIZE A0	DRAWING NUMBER P2P Wall Partition 2
SCALE NONE		WEIGHT (kg) XXX	REV 00
		SHEET 2 OF 3	

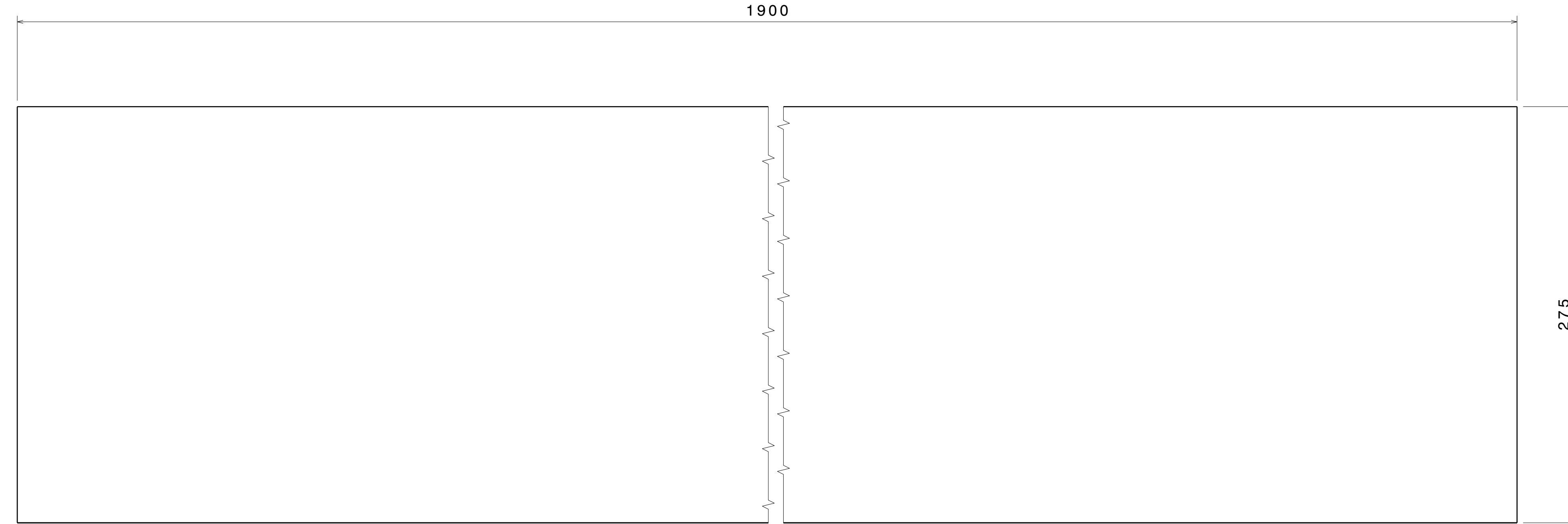
REV	DATE	DESCRIPTION
00	16SEP2020	INITIAL REVISION



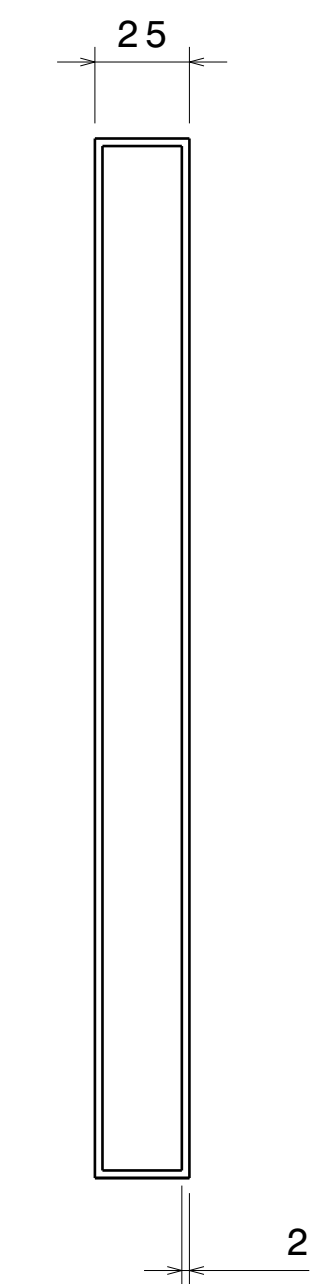
ITEM 1, PLANK




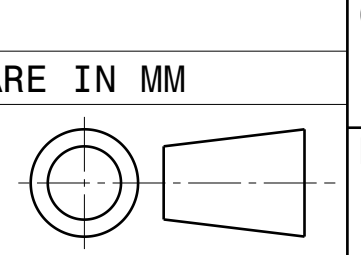
Right view
Scale: 1:2



ITEM 2, PLANK



Right view
Scale: 1:2

This drawing is our property. It can't be reproduced or communicated without our written agreement.		APL APOLLO TUBES LTD. 	
DRAWN BY SB		DATE 16SEP2020	
CHECKED BY P2P Analysis & Solutions		DATE 16SEP2020	
DESIGNED BY P2P Analysis & Solutions		DATE 16SEP2020	
UNLESS OTHERWISE SPECIFIED DIMENSION ARE IN MM		DRAWING TITLE Wall Partition 2	
VIEWS: THIRD ANGLE PROJECTION 		SIZE A0	DRAWING NUMBER P2P Wall Partition 2
		SCALE NONE	WEIGHT (kg) XXX
		REV 00	
		SHEET 3 OF 3	