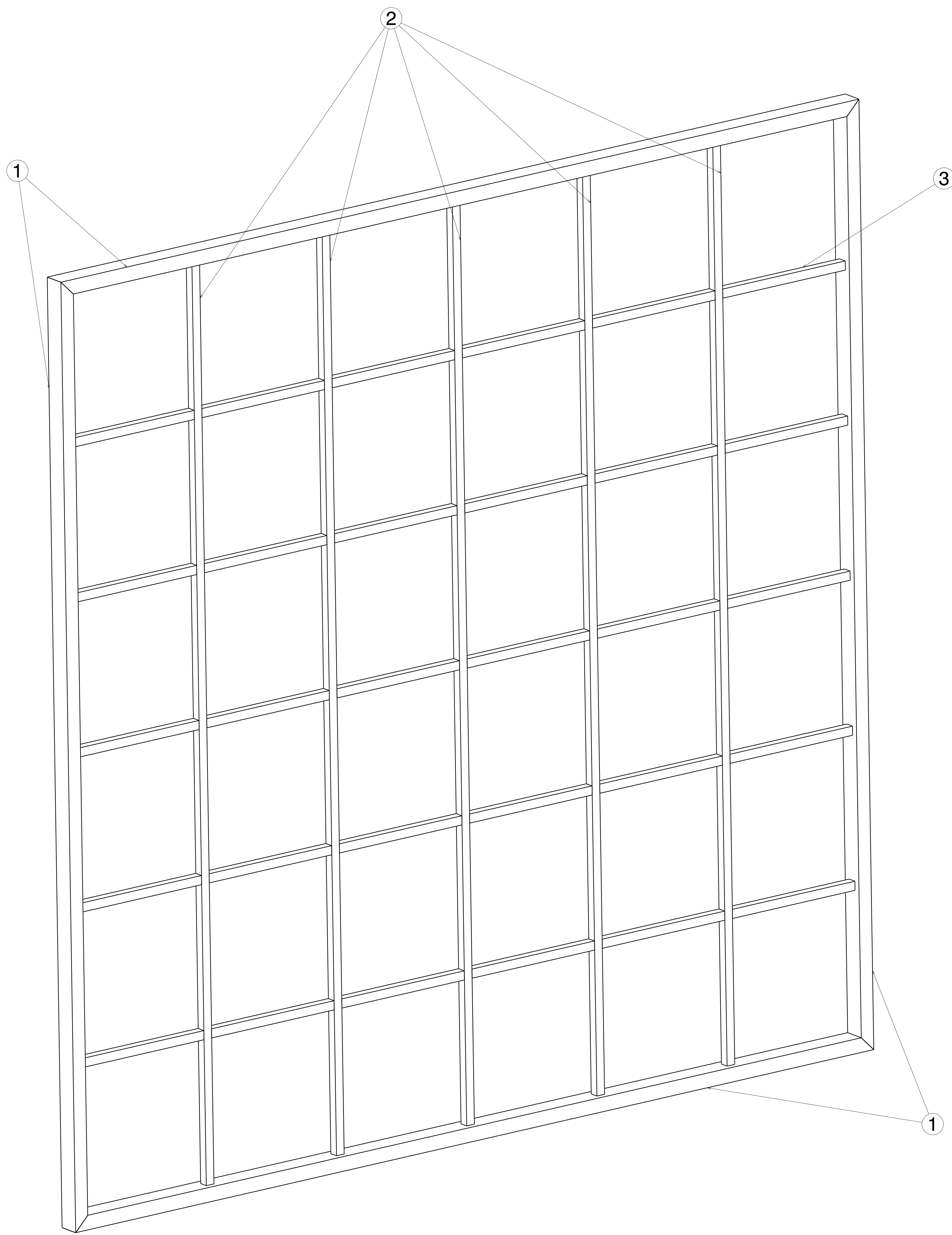


REV/DATE	DESCRIPTION
00 / 24SEP2020	INITIAL REVISION



Isometric view

- NOTES:
- (⊥) ALL VERTICAL SUPPORTS ARE PERPENDICULAR.
  - FLATNESS OF .5MM IS APPLIED BY DEFAULT.
  - ⊘ WELD BEAD OF 2MM RADIUS IS FOLLOWED.
  - ▽▽ SURFACE FINISH MEDIUM TO SMOOTH IS USED.
  - ALL TUBES ARE AS PER APL APOLLO STANDARD. CHANGES MAY EFFECT THE LOAD CAPACITY.
  - ALL HORIZONTAL AND VERTICAL TUBES ARE PERPENDICULAR TO EACH OTHER WITH ±1 DEG.
  - FINE WELDNG IS REQUIRED AS PER MENTIONED DETAILS AND FINISHING.
  - HIGHER CURRENT WELDING MAY AFFECT THE BRITTLENESS OF MATERIAL WHICH LATER MAY RAISE TO WEAKENING OF STRUCTURE.
  - FABRICATORS ARE ALLOWED TO USE FITTINGS/FRAMES/SUPPORTS AS NEEDED AND THE SAME MUST BE COMMUNICATED BACK TO ENGINEERING TEAM.
  - BOP COMPONENT WEIGHTS ARE FOR REFERENCE ONLY AND SUBJECTED TO CHANGE PER PURCHASED COMPONENTS.

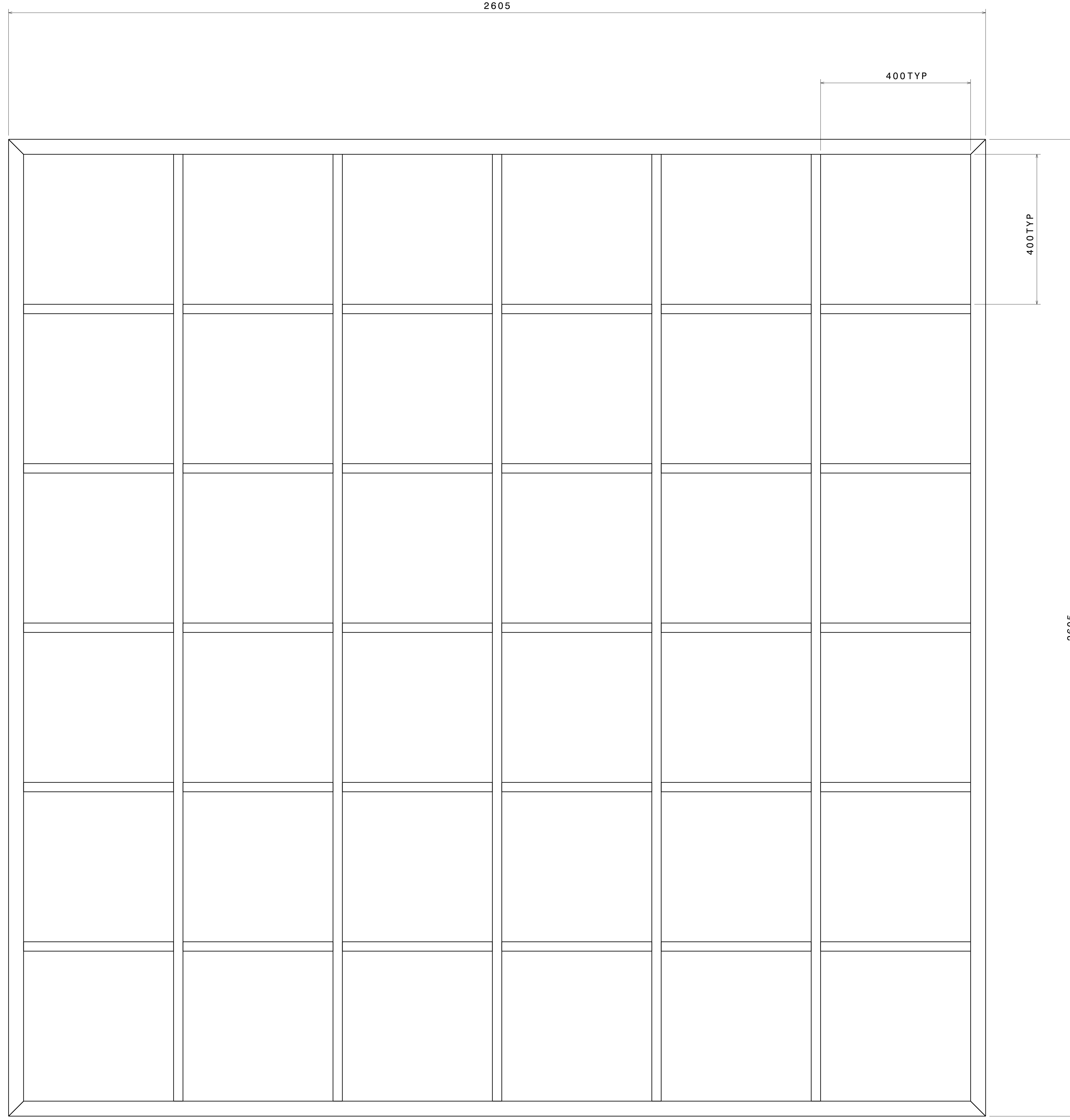
ITEM NO.	PART NUMBER	DESCRIPTION	QTY.	Wt (kg)/Each
3	SQ FRAME 3	25 X 25 X 2 X 400	30	0.58
2	SQ FRAME 2	25 X 25 X 2 X 2525	5	3.65
1	RECT FRAME 1	60 X 40 X 3.6 X 2605	4	13.5

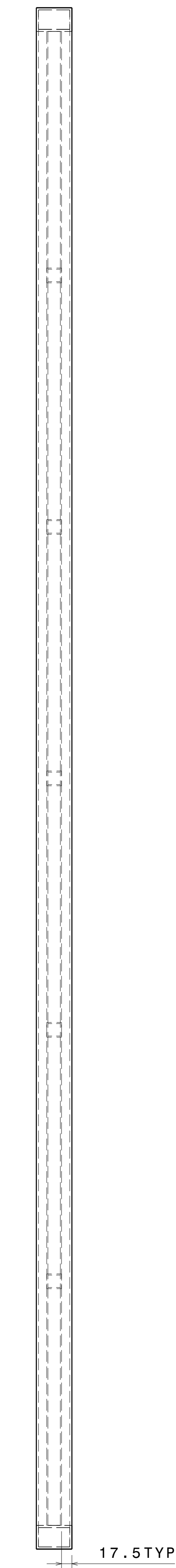
This drawing is our property. It can't be reproduced or communicated without our written agreement.		<b>APL APOLLO TUBES LTD.</b>	
DRAWN BY <b>SB</b>		DATE 24SEP2020	
CHECKED BY P2P Analysis & Solutions		DATE 24SEP2020	
DESIGNED BY P2P Analysis & Solutions		DATE 24SEP2020	
DRAWING TITLE <b>Wall Partition 6</b>		SIZE <b>A0</b>	REV <b>00</b>
UNLESS OTHERWISE SPECIFIED DIMENSION ARE IN MM VIEWS: THIRD ANGLE PROJECTION		SCALE As Indicated	WEIGHT(kg) 0kg
		SHEET 1 OF 3	

UNLESS OTHERWISE SPECIFIED DIMENSION ARE IN MM  
VIEWS: THIRD ANGLE PROJECTION

REV	DATE	DESCRIPTION
00	24SEP2020	INITIAL REVISION

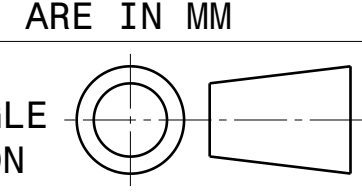


Front view  
Scale: 1:5




Right view  
Scale: 1:5

UNLESS OTHERWISE SPECIFIED DIMENSION ARE IN MM  
VIEWS: THIRD ANGLE PROJECTION

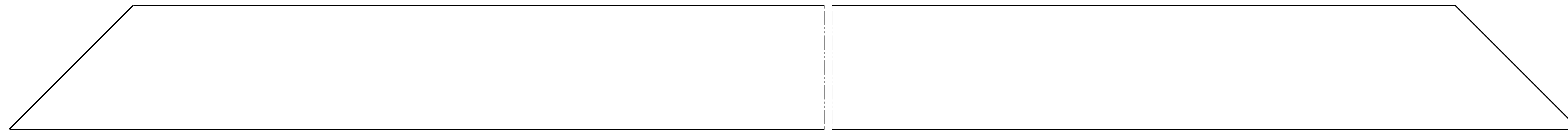


This drawing is our property. It can't be reproduced or communicated without our written agreement.

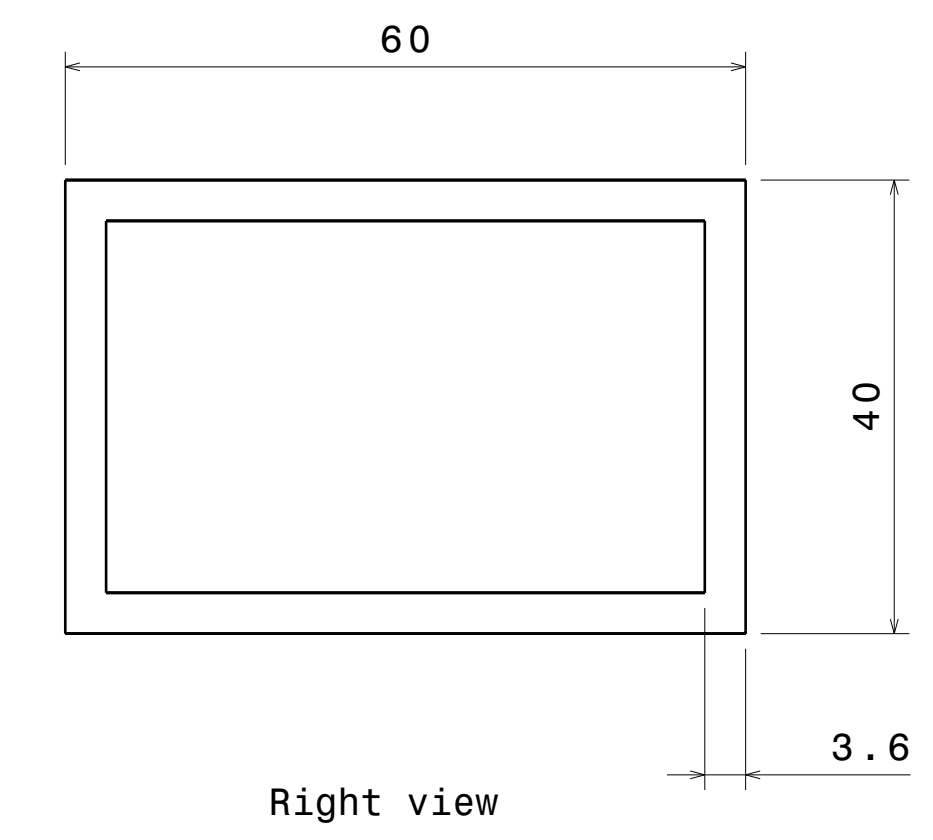
DRAWN BY	DATE
SB	24SEP2020
CHECKED BY	DATE
P2P Analysis & Solutions	24SEP2020
DESIGNED BY	DATE
P2P Analysis & Solutions	24SEP2020

APL APOLLO TUBES LTD. 	
DRAWING TITLE	
Wall Partition 6	
SIZE	DRAWING NUMBER
A0	P2P Wall Partition 6
SCALE	WEIGHT (kg)
NONE	XXX
REV	SHEET 2 OF 3
00	

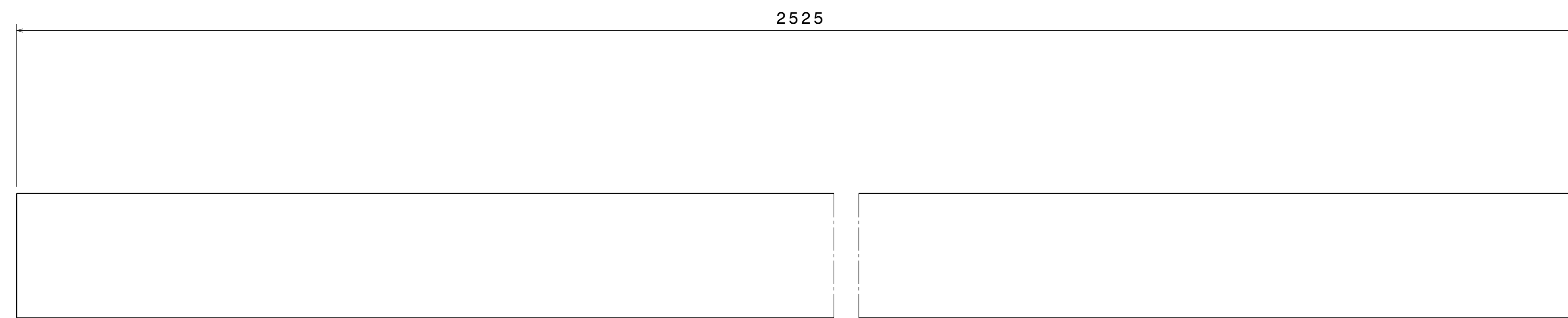
REV	DATE	DESCRIPTION
00	24SEP2020	INITIAL REVISION



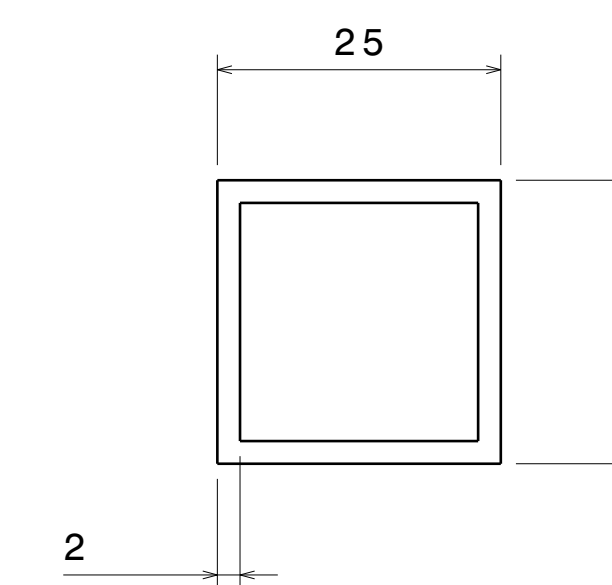
ITEM 1



Right view



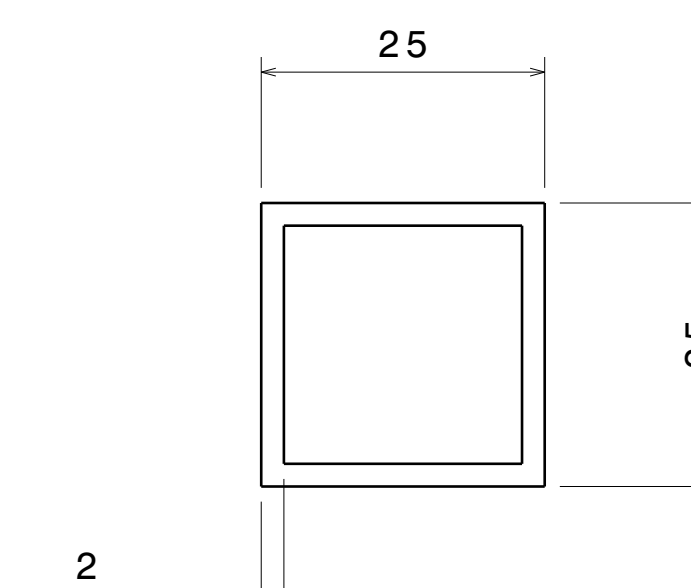
ITEM 2



Right view



ITEM 3



Right view

This drawing is our property. It can't be reproduced or communicated without our written agreement.

APL APOLLO TUBES LTD. 

DRAWN BY	DATE
SB	24SEP2020
CHECKED BY	DATE
P2P Analysis & Solutions	24SEP2020
DESIGNED BY	DATE
P2P Analysis & Solutions	24SEP2020

DRAWING TITLE			
Wall Partition 6			
SIZE	DRAWING NUMBER	REV	
A0	P2P Wall Partition 6	00	
SCALE	NONE	WEIGHT (kg)	XXX
			SHEET 3 OF 3

UNLESS OTHERWISE SPECIFIED DIMENSION ARE IN MM  
VIEWS: THIRD ANGLE PROJECTION

