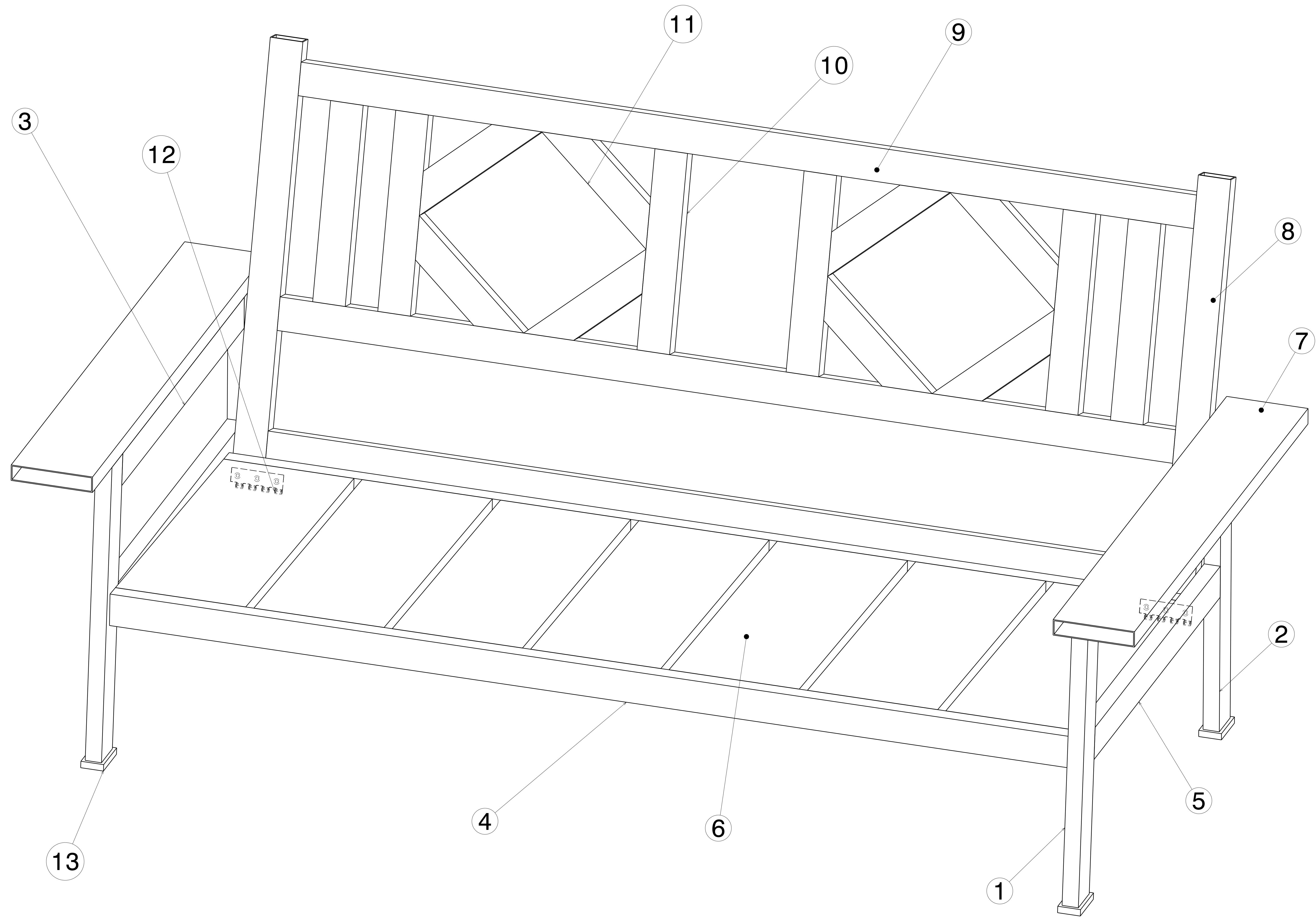


REV/DATE	DESCRIPTION
00 / 28OCT2020	INITIAL REVISION

NOTES:

- (⊥) ALL VERTICAL SUPPORTS ARE PERPENDICULAR.
- FLATNESS OF .5MM IS APPLIED BY DEFAULT.
- ⊲ WELD BEAD OF 2MM RADIUS IS FOLLOWED.
- ▽ SURFACE FINISH MEDIUM TO SMOOTH IS USED.
- ALL TUBES ARE AS PER APL APOLLO STANDARD. CHANGES MAY EFFECT THE LOAD CAPACITY.
- ALL HORIZONTAL AND VERTICAL TUBES ARE PERPENDICULAR TO EACH OTHER WITH ±1 DEG.
- FINE WELDING IS REQUIRED AS PER MENTIONED DETAILS AND FINISHING.
- HIGHER CURRENT WELDING MAY AFFECT THE BRITTLNESS OF MATERIAL WHICH LATER MAY RAISE TO WEAKENING OF STRUCTURE.
- FABRICATORS ARE ALLOWED TO USE FITTINGS/FRAMES/SUPPORTS AS NEEDED AND THE SAME MUST BE COMMUNICATED BACK TO ENGINEERING TEAM.
- BOP COMPONENT WEIGHTS ARE FOR REFERENCE ONLY AND SUBJECTED TO CHANGE PER PURCHASED COMPONENTS.



ISOMETRIC VIEW

ITEM NO.	PART NUMBER	DESCRIPTION	QTY.	Wt (Kg) / Each
13	BASE SUPPORT PLASTIC 1-BOP	-----	4	-----
12	HINGE -BOP	-----	2	-----
11	RHS FRAME 9	50 X 25 X 2 X 230	4	0.52
10	RHS FRAME 8	50 X 25 X 2 X 300	6	0.67
9	RHS FRAME 7	50 X 25 X 2 X 1375	3	3.1
8	RHS FRAME 6	50 X 25 X 2 X 656.2	2	1.46
7	RHS PLANK 2	125 X 25 X 1.6 X 800	2	2.95
6	RHS PLANK 1	200 X 25 X 1.6 X 500	7	2.8
5	RHS FRAME 5	50 X 25 X 2 X 581.7	2	1.29
4	RHS FRAME 4	50 X 25 X 2 X 1475	2	4.2
3	RHS FRAME 3	50 X 25 X 2 X 564.2	2	1.25
2	RHS FRAME 2	50 X 25 X 2 X 467.4	2	1.33
1	RHS FRAME 1	50 X 25 X 2 X 464.8	2	1.31

This drawing is our property. It can't be reproduced or communicated without our written agreement.

APL APOLLO TUBES LTD.

DRAWING TITLE
BONDHOLMEN - 2 - SEAT - SOFA - OUTDOOR - GREY

DRAWN BY SB **DATE** 28OCT2020

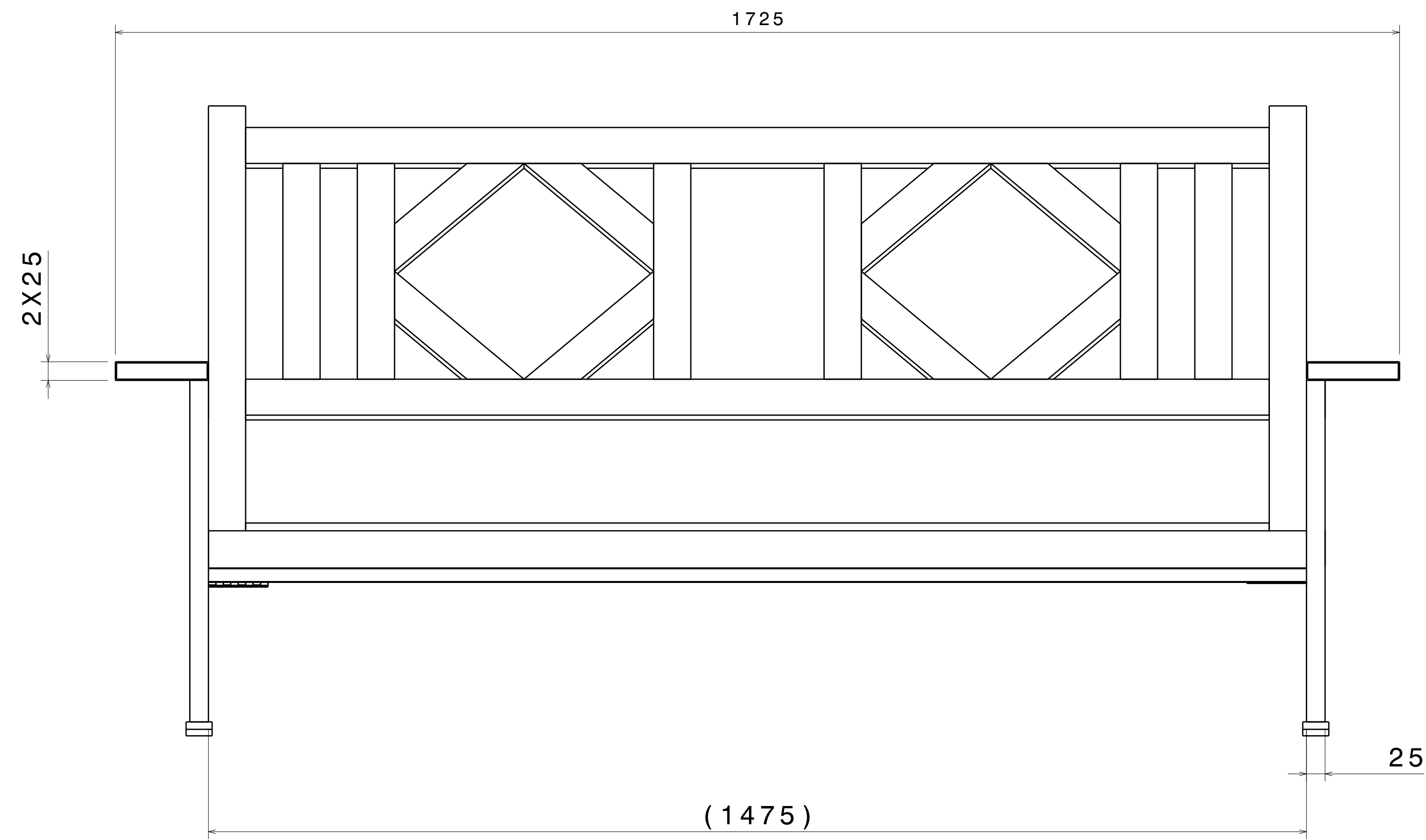
CHECKED BY P2P Analysis & Solutions **DATE** 28OCT2020

DESIGNED BY P2P Analysis & Solutions **DATE** 28OCT2020

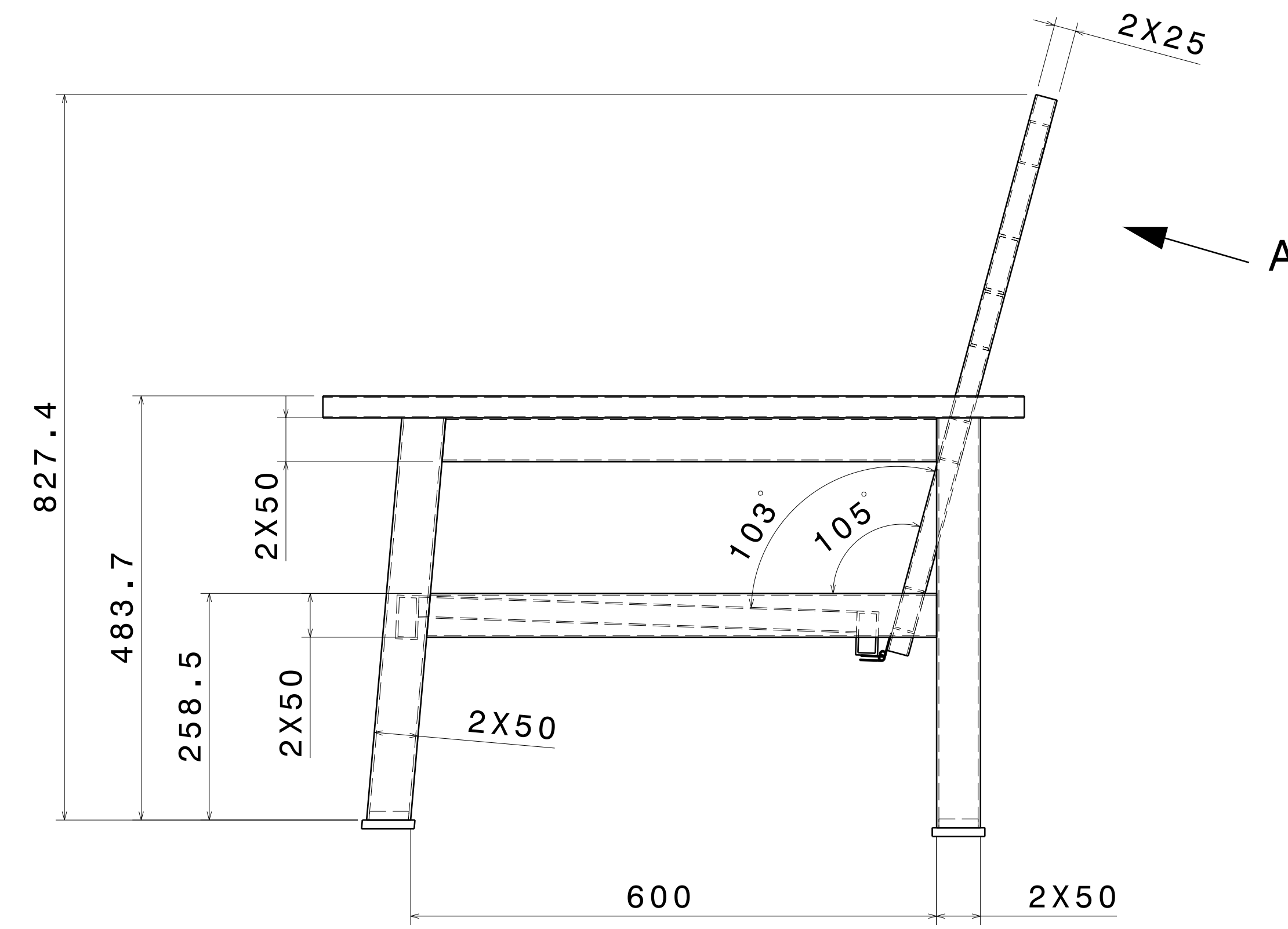
SCALE As Indicated **WEIGHT (kg)** 0kg **SHEET 1 OF 3**

UNLESS OTHERWISE SPECIFIED DIMENSION ARE IN MM
VIEWS: THIRD ANGLE PROJECTION

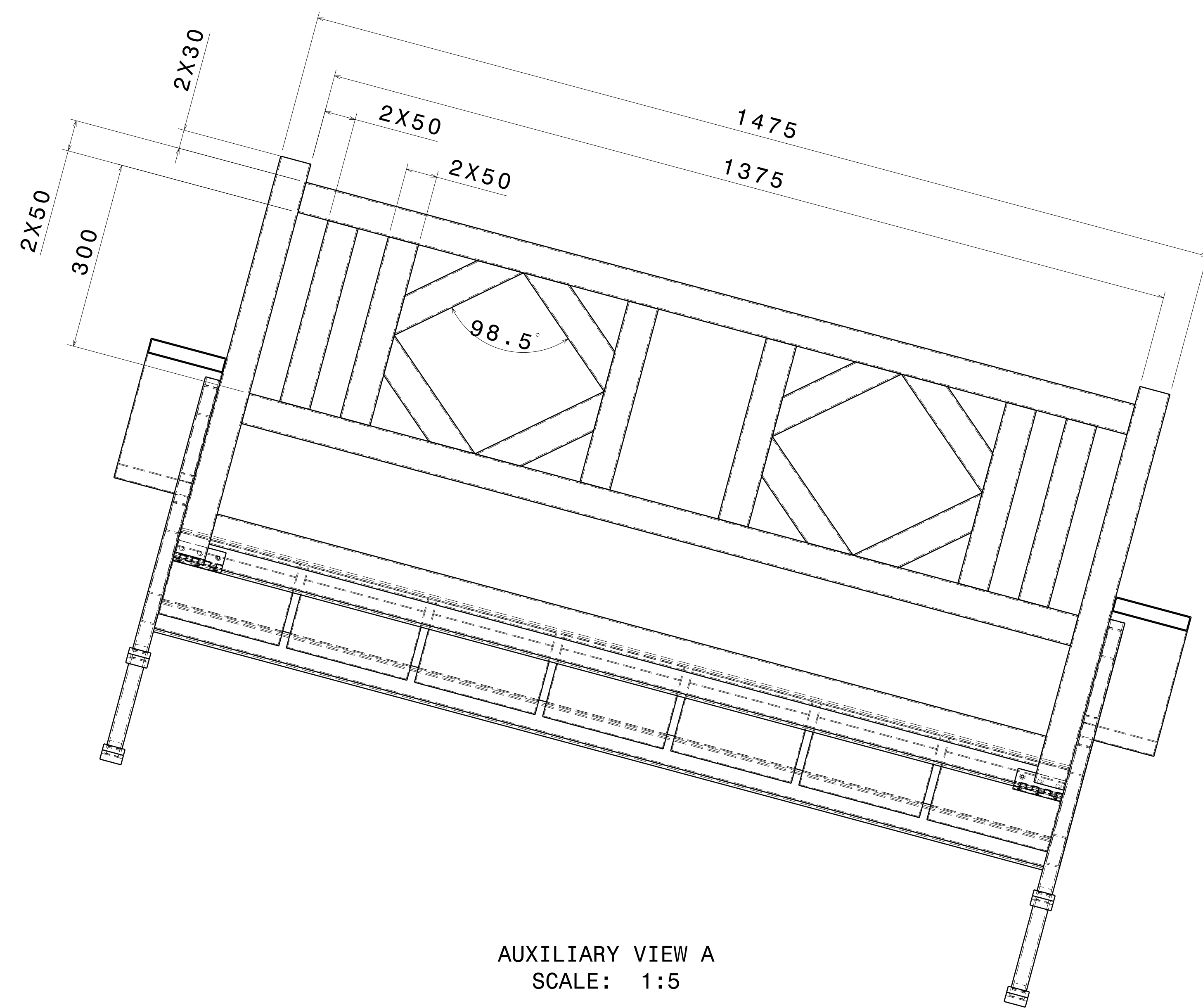
REV	DATE	DESCRIPTION
00	28OCT2020	INITIAL REVISION



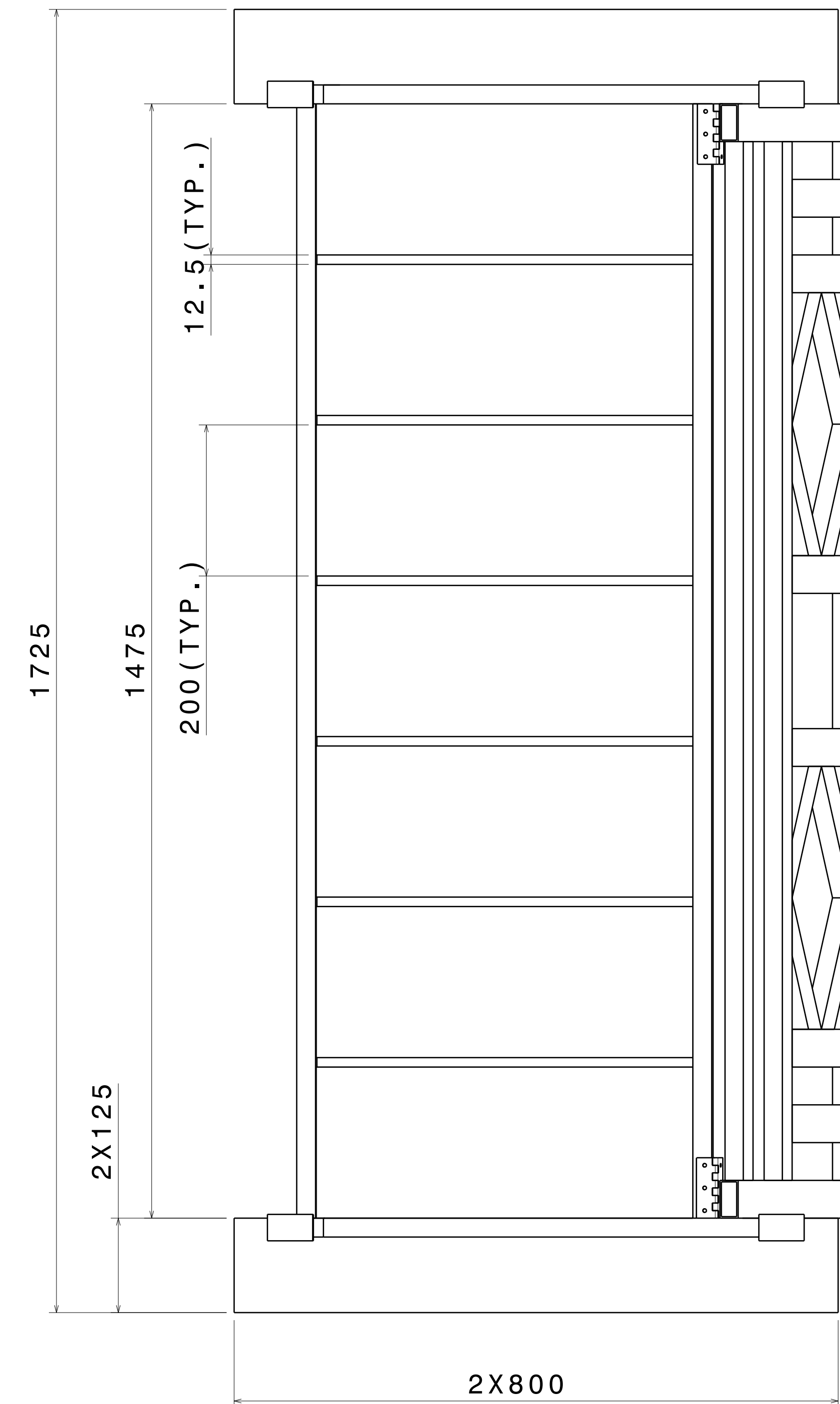
LEFT VIEW
SCALE: 1:5



FRONT VIEW
SCALE: 1:5



AUXILIARY VIEW A
SCALE: 1:5




BOTTOM VIEW
SCALE: 1:5

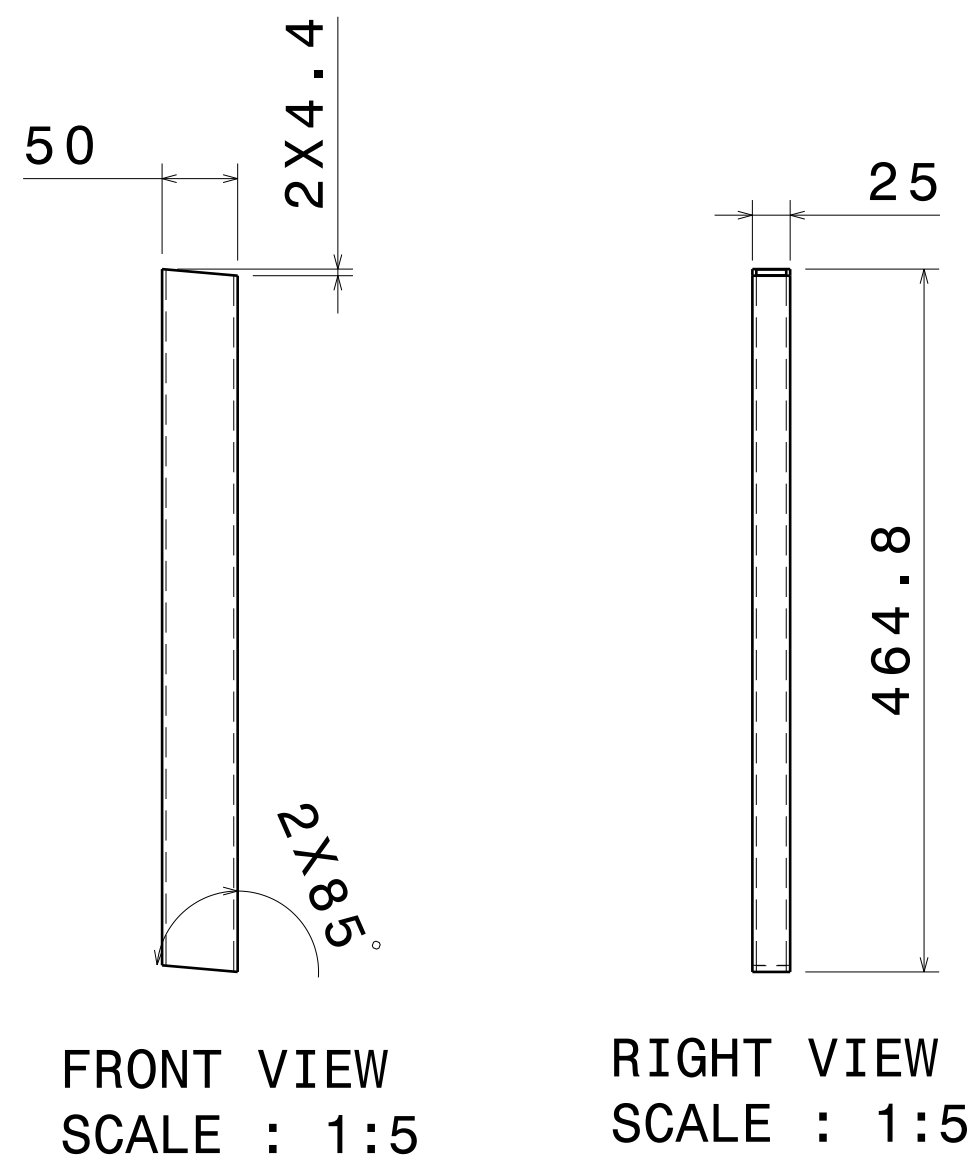
UNLESS OTHERWISE SPECIFIED DIMENSION ARE IN MM
VIEWS: THIRD ANGLE PROJECTION

This drawing is our property. It can't be reproduced or communicated without our written agreement.

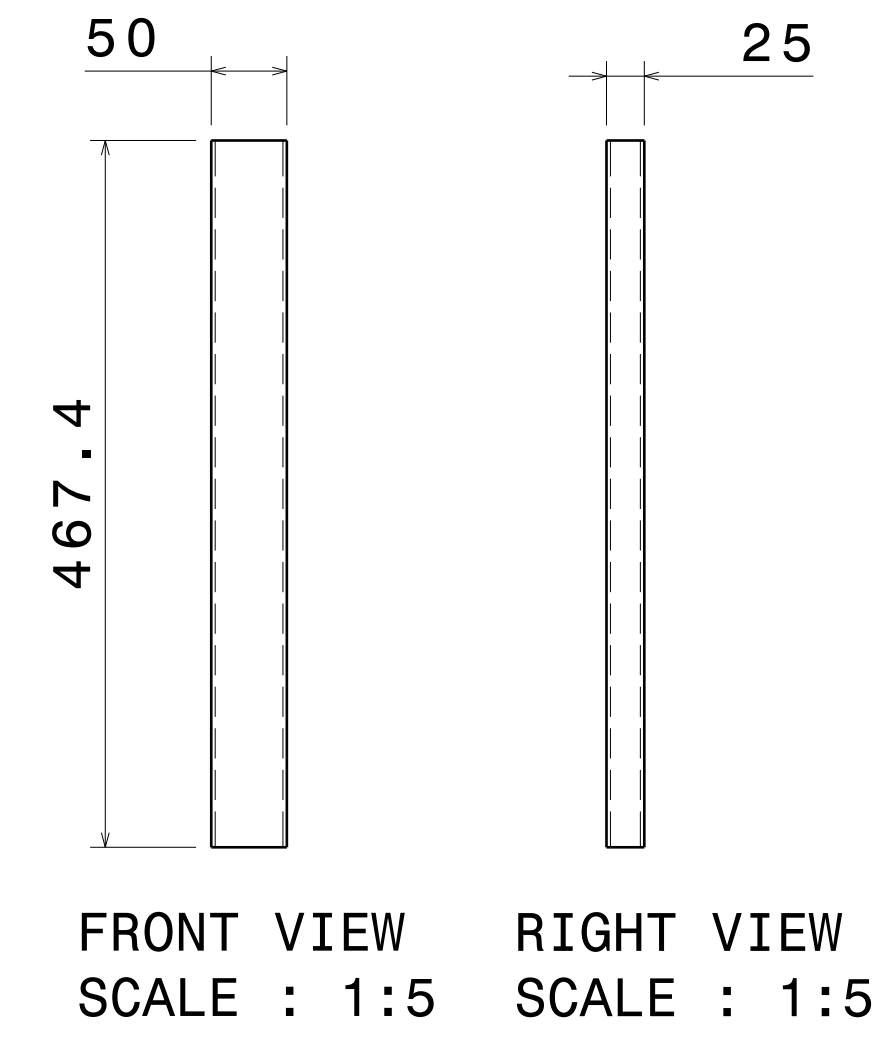
DRAWN BY	DATE
SB	28OCT2020
CHECKED BY	DATE
P2P Analysis & Solutions	28OCT2020
DESIGNED BY	DATE
P2P Analysis & Solutions	28OCT2020

APL APOLLO TUBES LTD. 	
DRAWING TITLE	
BONDHOLMEN - 2 - SEAT - SOFA - OUTDOOR - GREY	
SIZE	DRAWING NUMBER
A0	P2P_BONDHOLMEN-2-SEAT-SOFA-OUTDOOR-GREY
SCALE	WEIGHT (kg)
NONE	XXX
REV	SHEET 2 OF 3
00	1

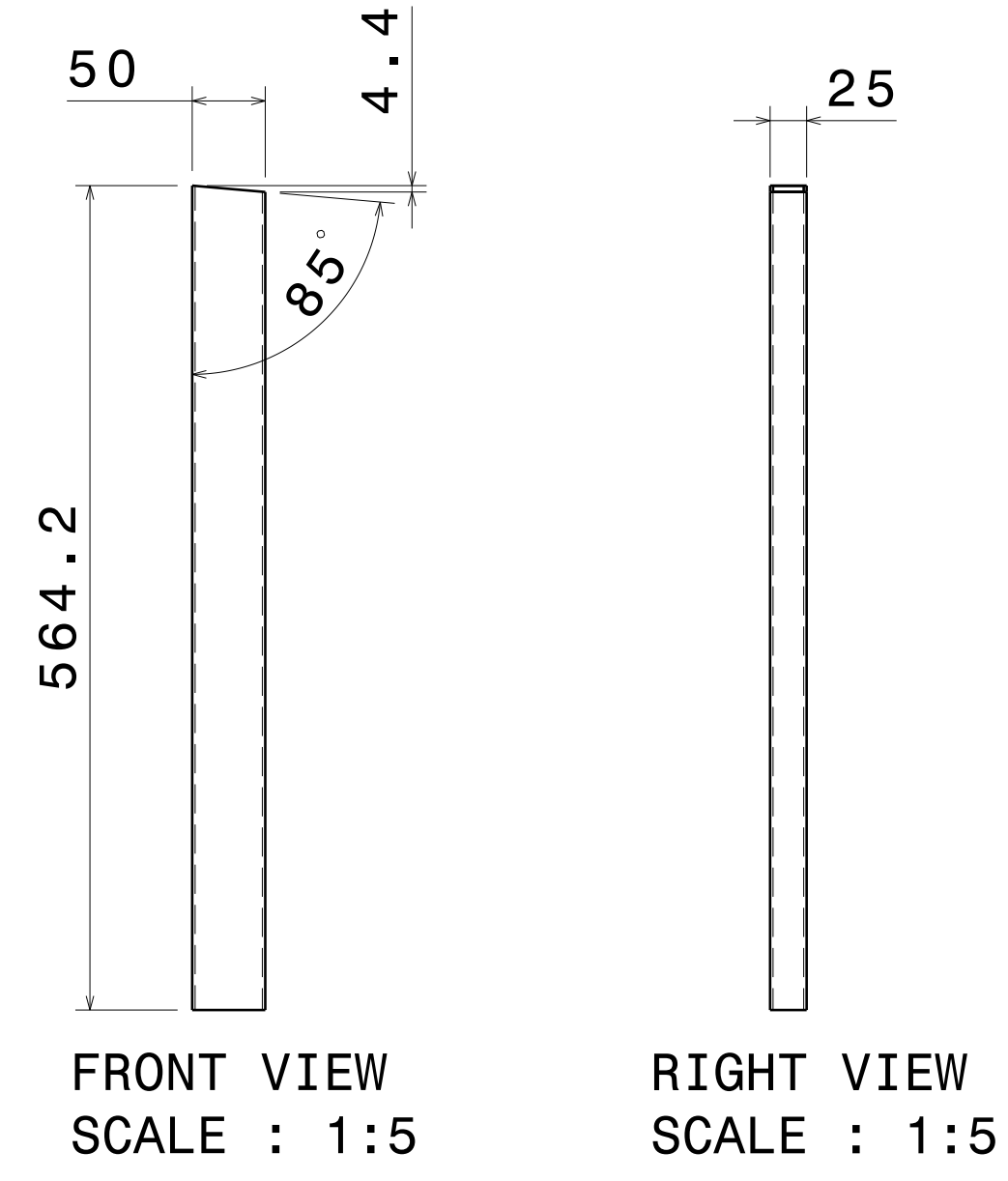
REV	DATE	DESCRIPTION
00	28OCT2020	INITIAL REVISION



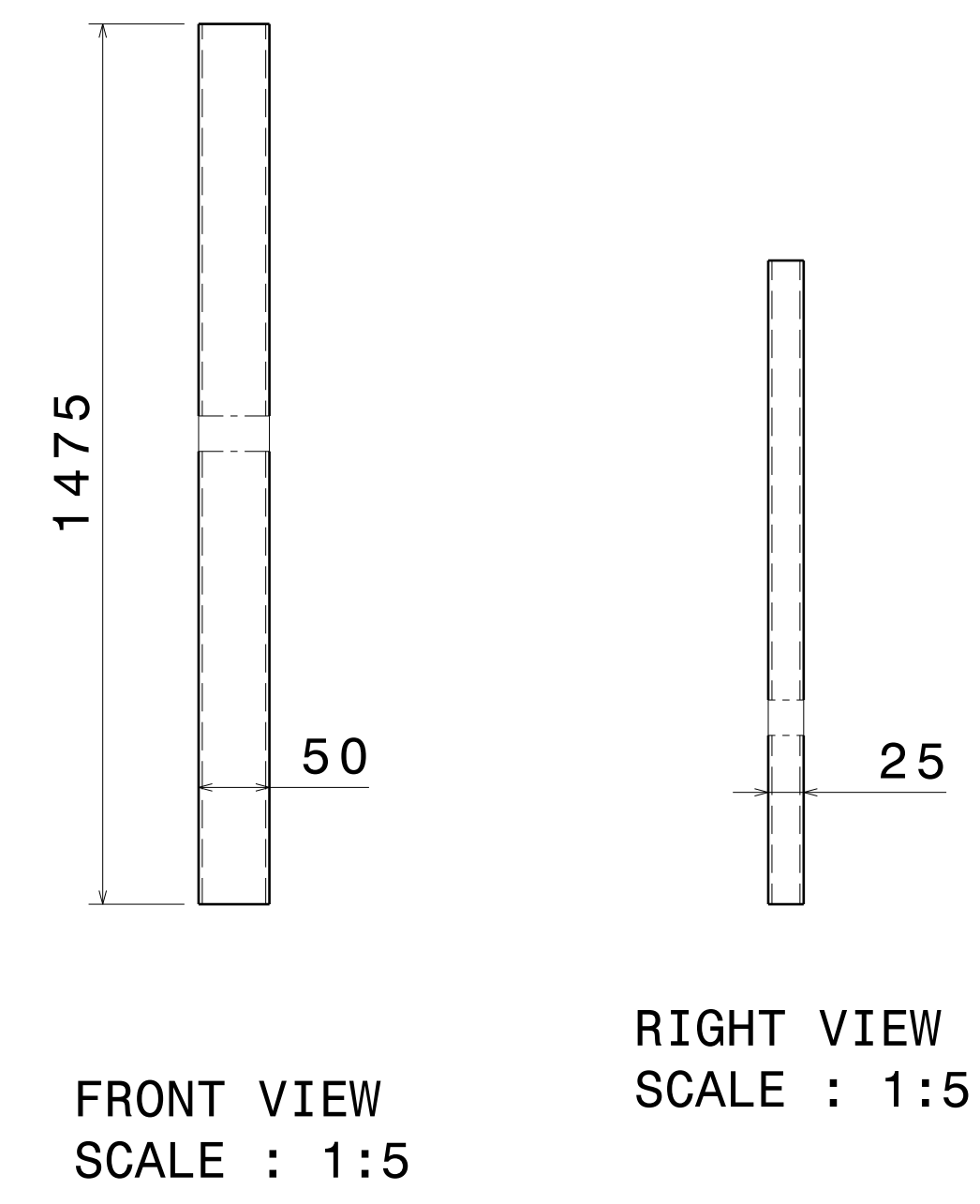
ITEM 1, RHS FRAME 1
THICKNESS - 2MM



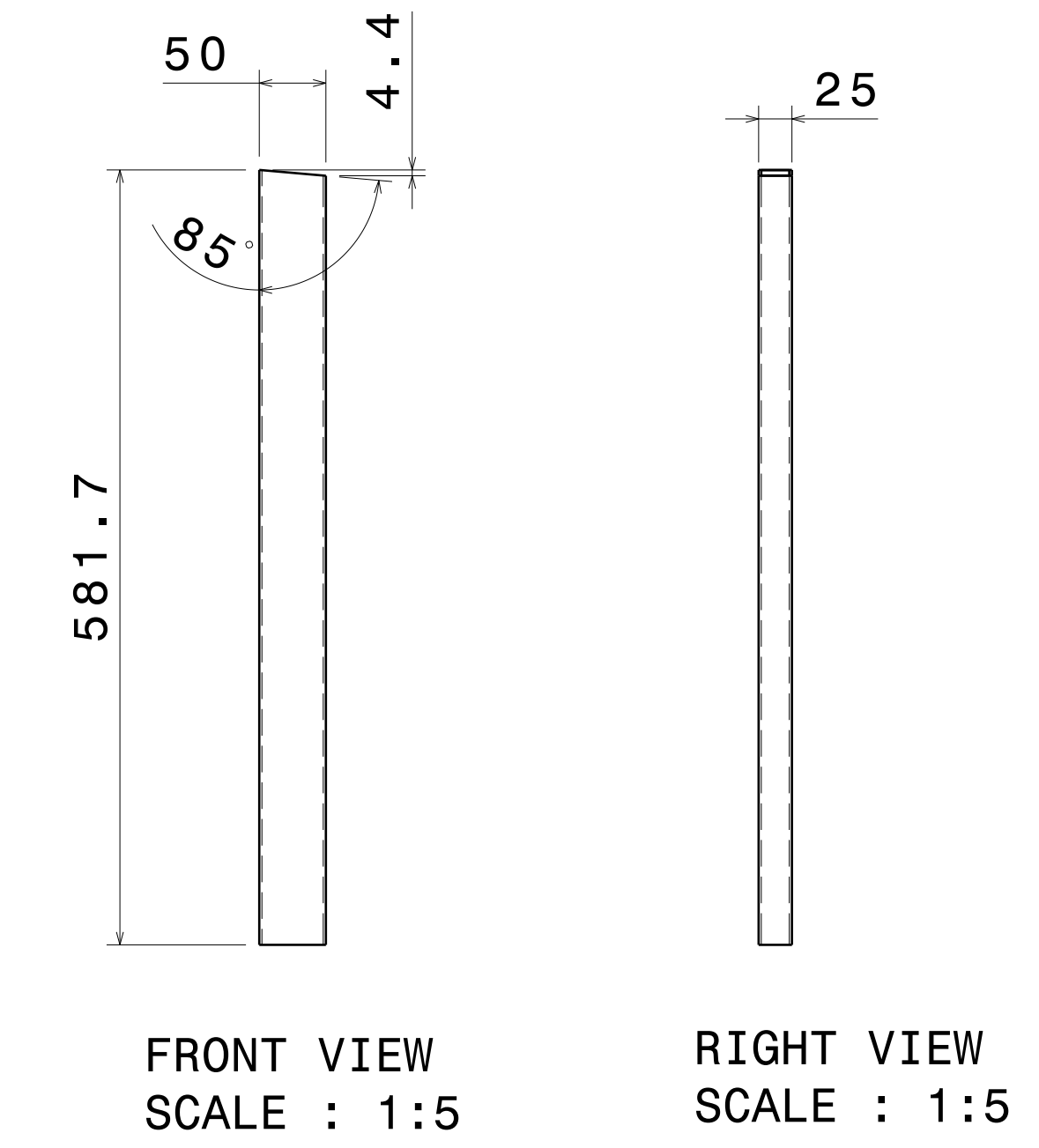
ITEM 2, RHS FRAME 2
THICKNESS - 2MM



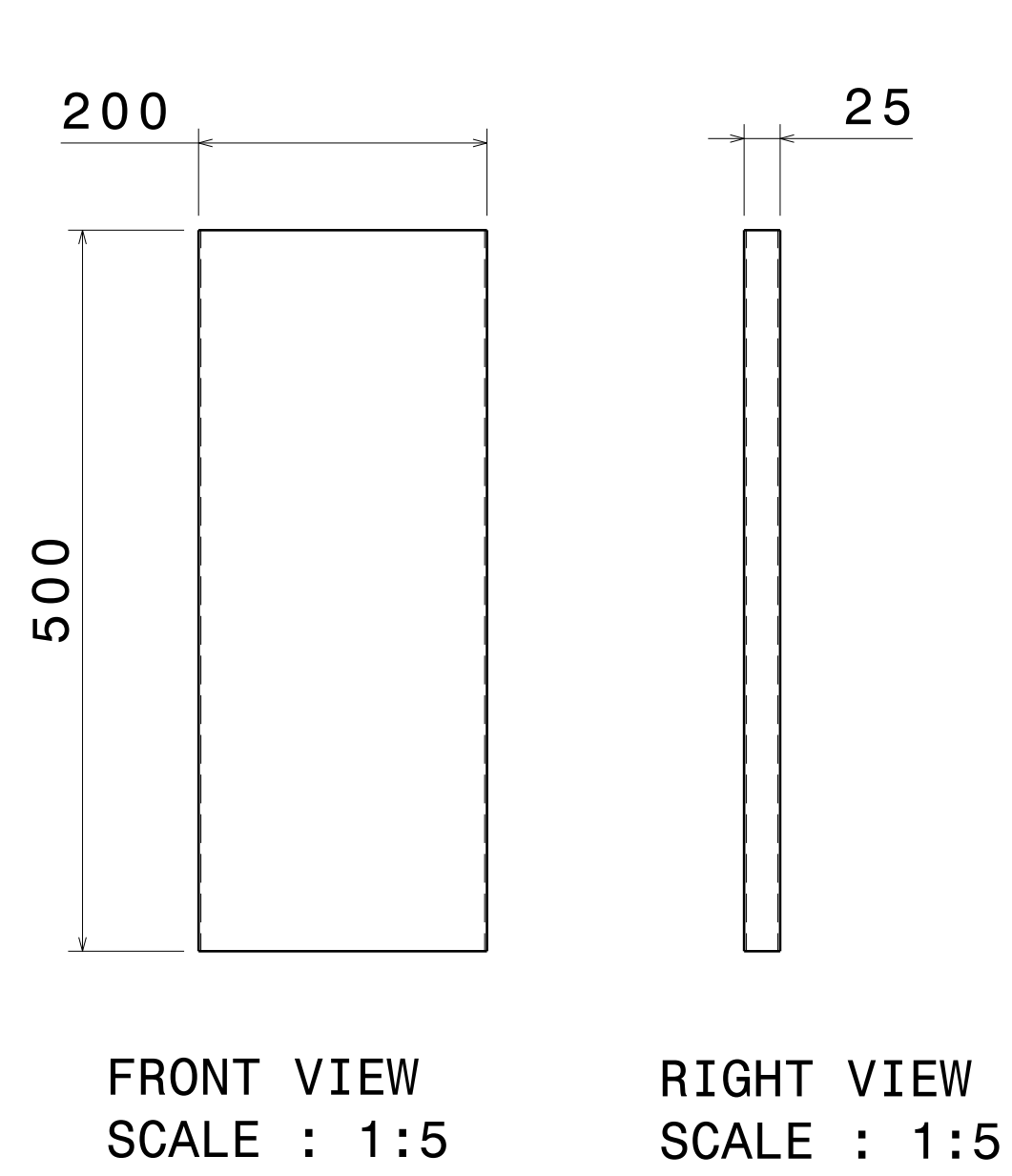
ITEM 3, RHS FRAME 3
THICKNESS - 2MM



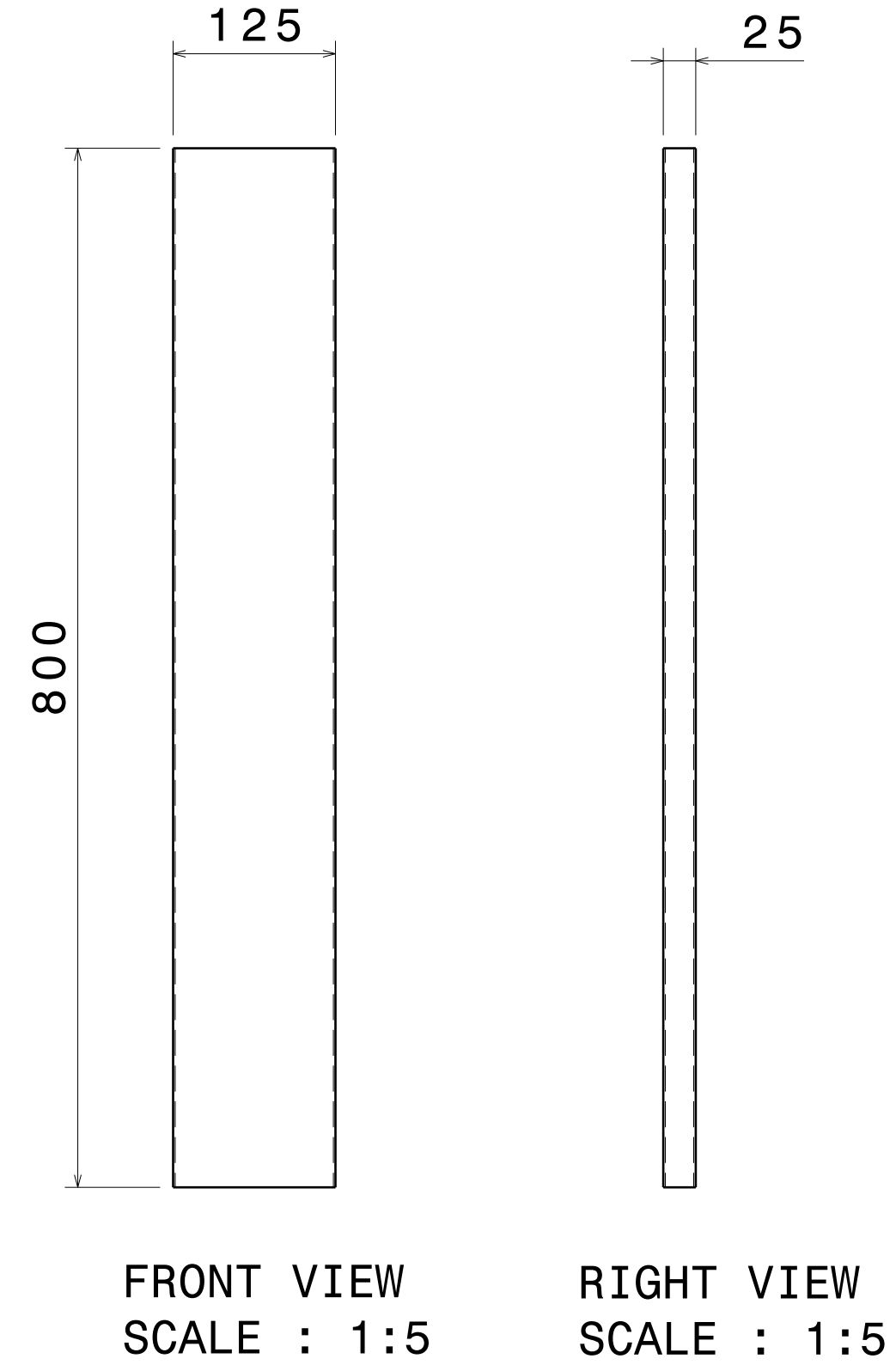
ITEM 4, RHS FRAME 4
THICKNESS - 2MM



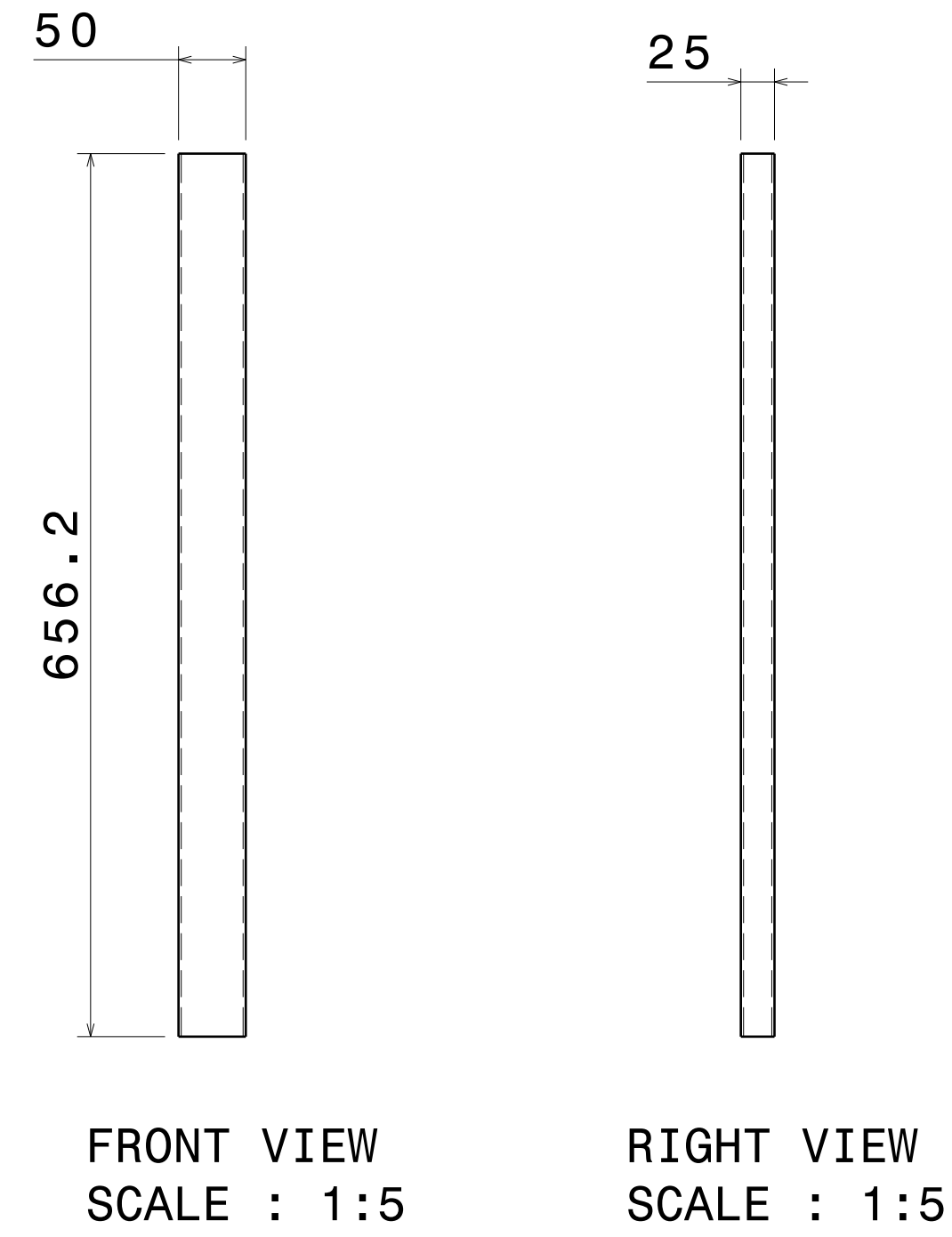
ITEM 5, RHS FRAME 5
THICKNESS - 2MM



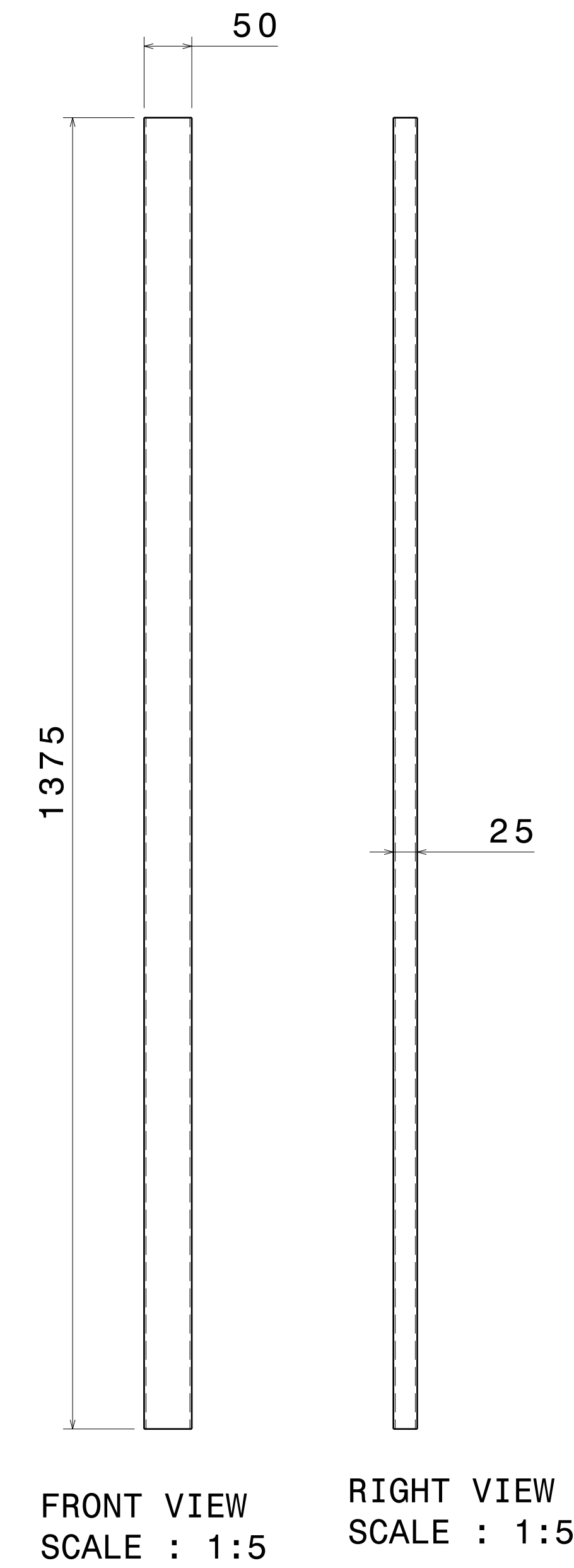
ITEM 6, RHS PLANK 1
THICKNESS - 1.6MM



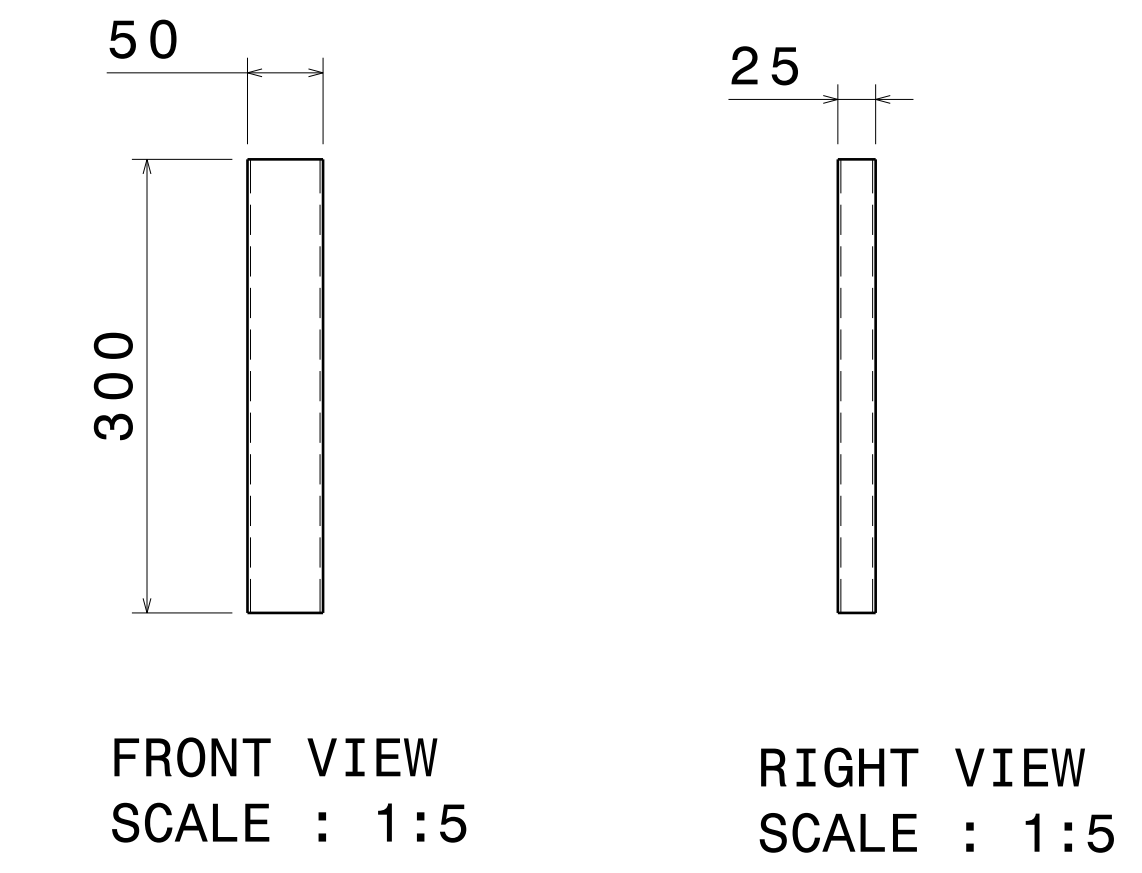
ITEM 7, RHS PLANK 2
THICKNESS - 1.6MM



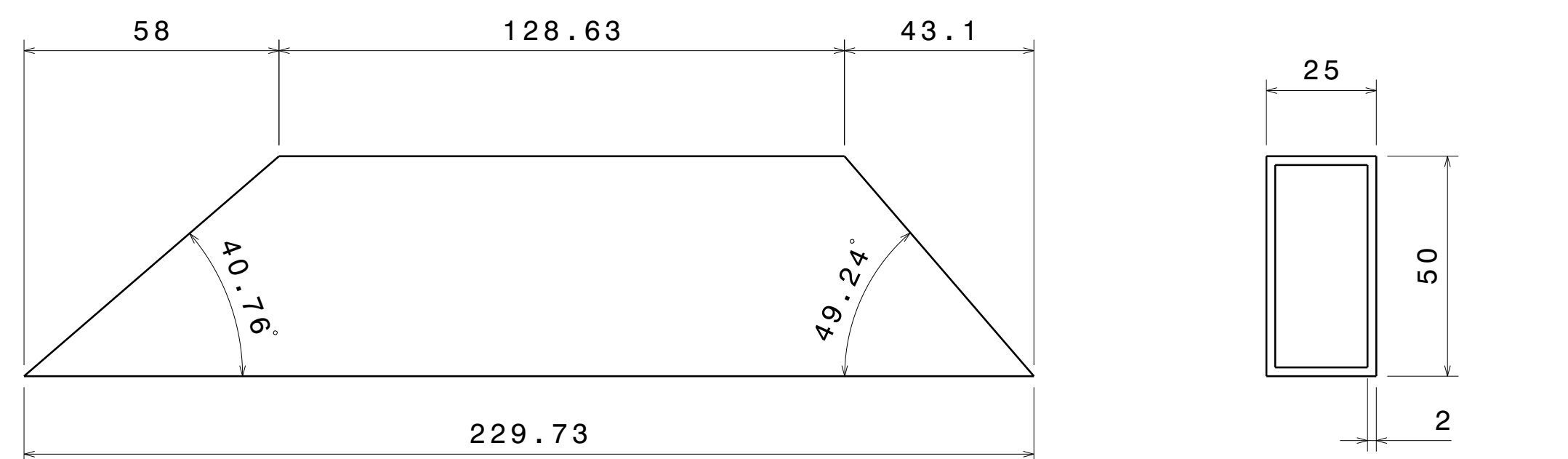
ITEM 8, RHS FRAME 6
THICKNESS - 2MM



ITEM 9, RHS FRAME 7
THICKNESS - 2MM



ITEM 10, RHS FRAME 8
THICKNESS - 2MM



ITEM 11, RHS FRAME 11
THICKNESS - 2MM

RIGHT VIEW

This drawing is our property. It can't be reproduced or communicated without our written agreement.		APL APOLLO TUBES LTD.	
DRAWN BY: SB		DRAWING TITLE: BONDHOLMEN-2-SEAT-SOFA-OUTDOOR-GREY	
CHECKED BY: P2P Analysis & Solutions		DATE: 28OCT2020	
DESIGNED BY: P2P Analysis & Solutions		DATE: 28OCT2020	
UNLESS OTHERWISE SPECIFIED DIMENSION ARE IN MM		SCALE: NONE WEIGHT (kg) XXX	
VIEWS: THIRD ANGLE PROJECTION		SHEET 3 OF 3	