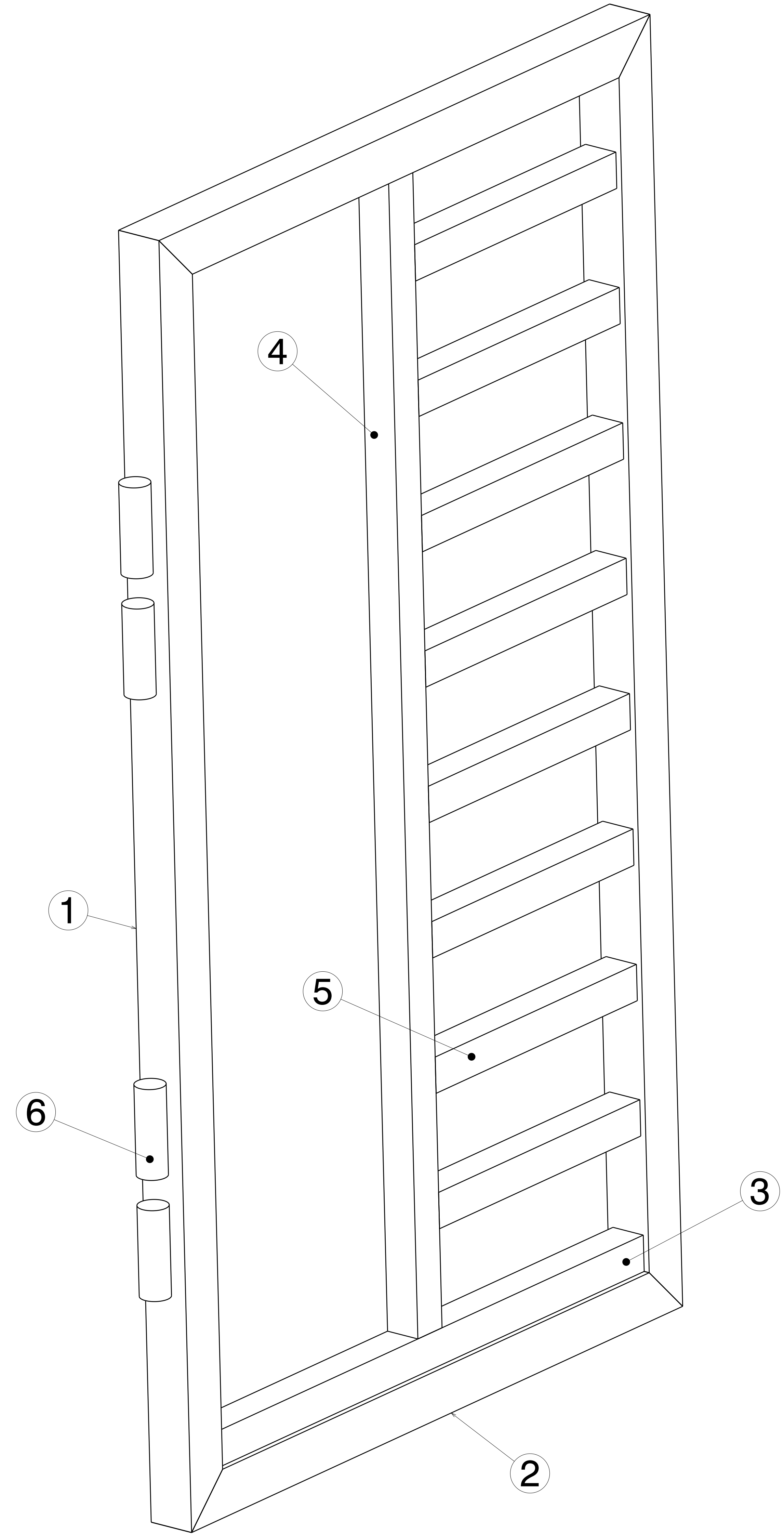



REV	DATE	DESCRIPTION
00	1/28/2020	INITIAL REVISION

- NOTES:
- (⊥) ALL VERTICAL SUPPORTS ARE PERPENDICULAR.
  - FLATNESS OF .5MM IS APPLIED BY DEFAULT.
  - ⊲ WELD BEAD OF 2MM RADIUS IS FOLLOWED.
  - ▽ SURFACE FINISH MEDIUM TO SMOOTH IS USED.
  - ALL TUBES ARE AS PER APL APOLLO STANDARD. CHANGES MAY EFFECT THE LOAD CAPACITY.
  - DUAL DIMENSIONS USED WITH BOTH METRIC AND INCH SYSTEM.
  - ALL HORIZONTAL AND VERTICAL TUBES ARE PERPENDICULAR TO EACH OTHER WITH ±1 DEG.
  - FINE WELDING IS REQUIRED AS PER MENTIONED DETAILS AND FINISHING.
  - HIGHER CURRENT WELDING MAY AFFECT THE BRITTLNESS OF MATERIAL WHICH LATER MAY RAISE TO WEAKENING OF STRUCTURE.

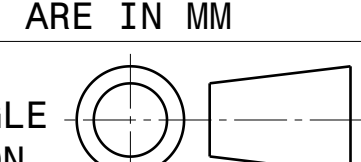


ISOMETRIC VIEW

ITEM NO.	PART NUMBER	DESCRIPTION	QTY.
6		HINGE	4
5	Sq Tube 15.2 Frame 5	60 X 60 X 4 X 499.6	8
4	Sq Tube 15.2 Frame 4	60 X 60 X 4 X 1913.6	1
3	Sq Tube 15.2 Frame 3	60 X 60 X 4 X 1059.2	1
2	Sq Tube 15.2 Frame 2	80 X 80 X 4 X 1219.2	2
1	Sq Tube 15.2 Frame 1	80 X 80 X 4 X 2133.6	2

This drawing is our property. It can't be reproduced or communicated without our written agreement.		APL APOLLO TUBES LTD. 	
DRAWN BY SB		DATE 1/28/2020	
CHECKED BY P2P Analysis & Solutions		DATE 1/28/2020	
DESIGNED BY P2P Analysis & Solutions		DATE 1/28/2020	
DRAWING TITLE GATE 15 DESIGN 2		SIZE A0	DRAWING NUMBER P2P_APL_00015_02
SCALE NONE		WEIGHT (kg) 120	SHEET 1

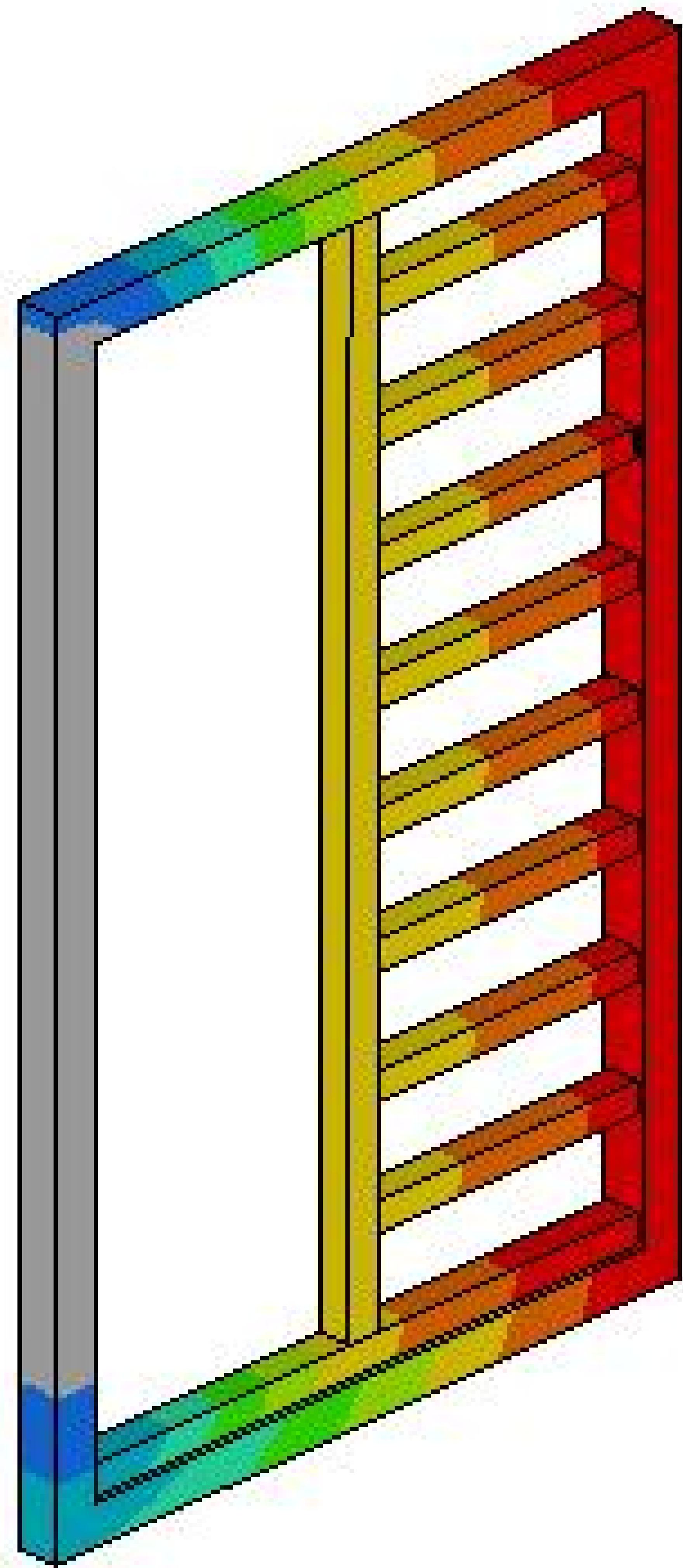
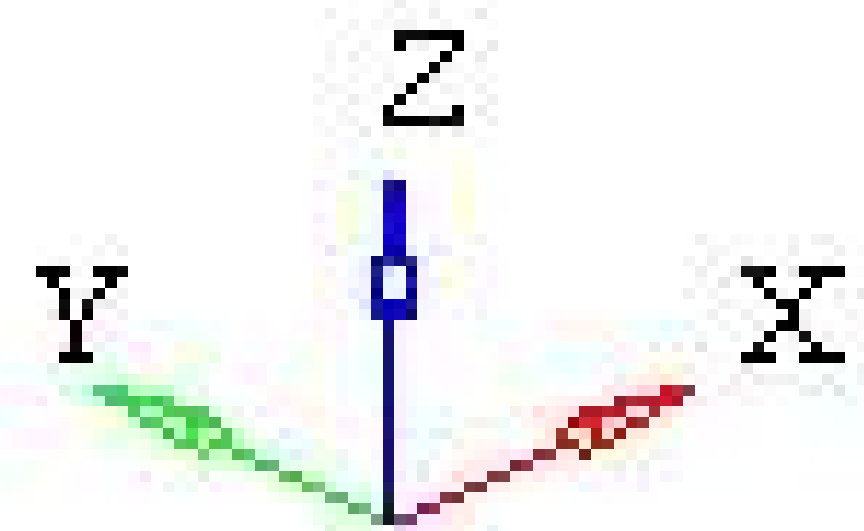
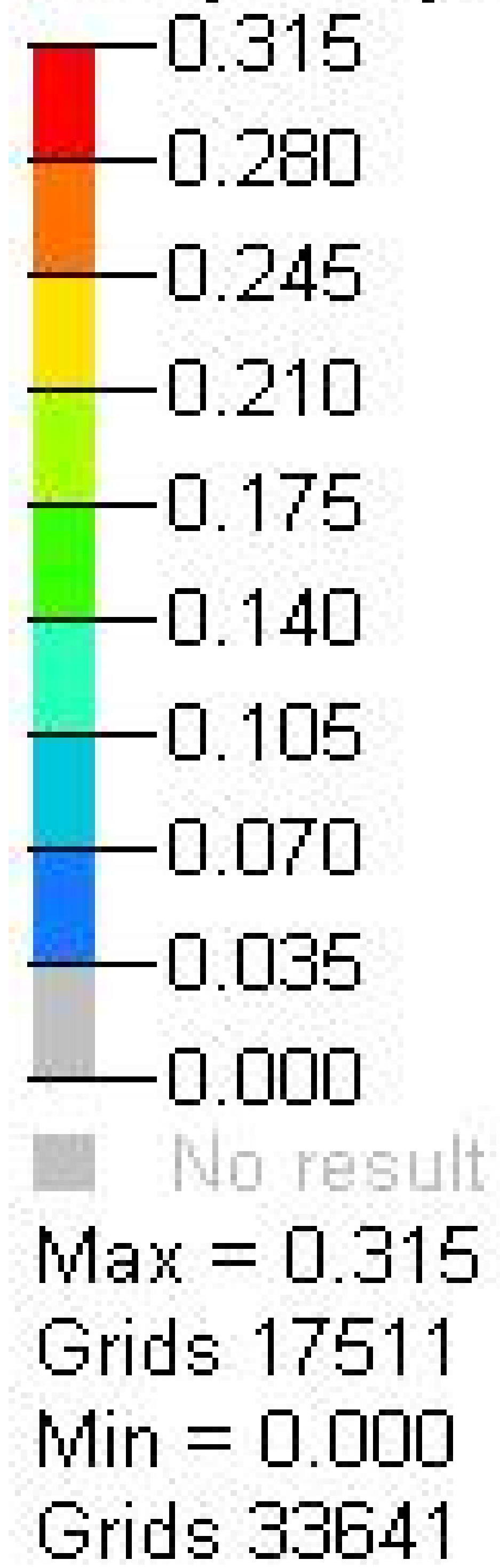
UNLESS OTHERWISE SPECIFIED DIMENSION ARE IN MM  
VIEWS: THIRD ANGLE PROJECTION



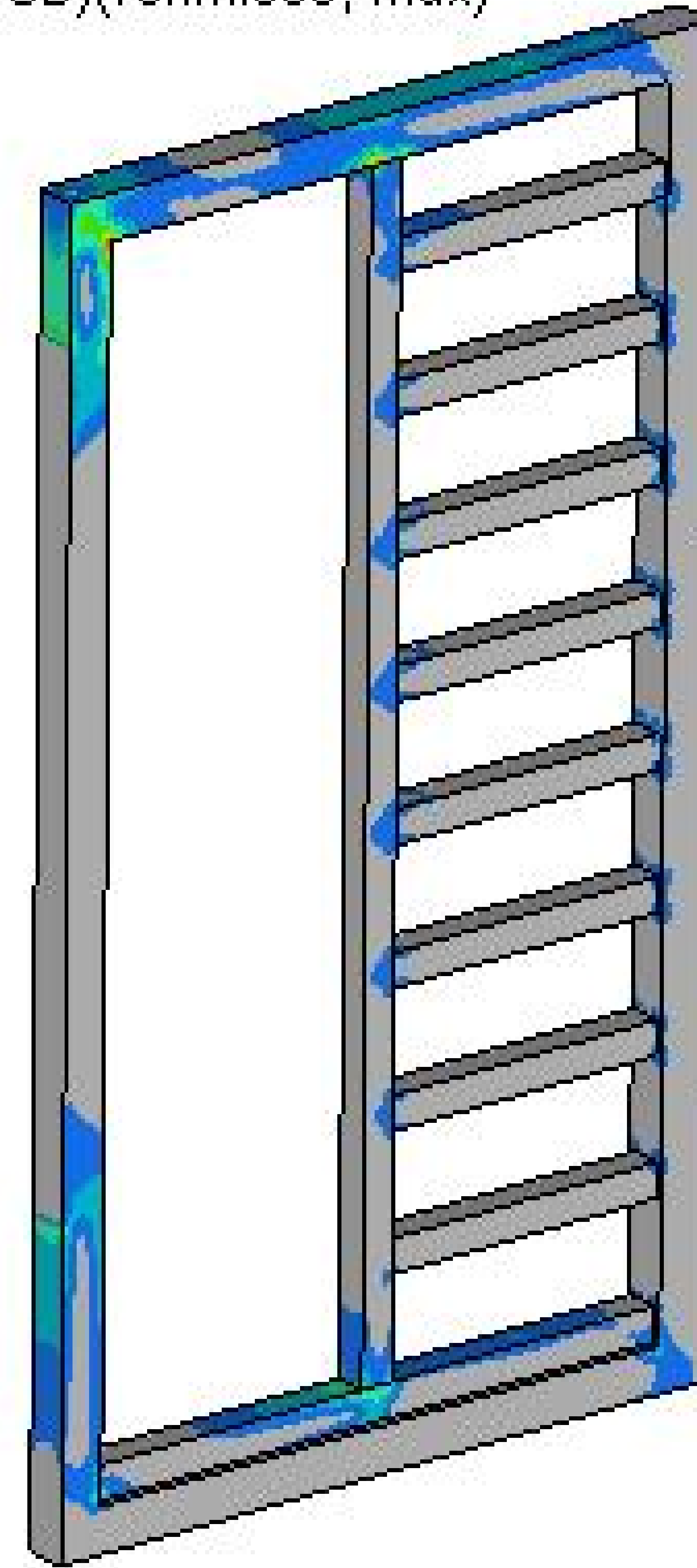
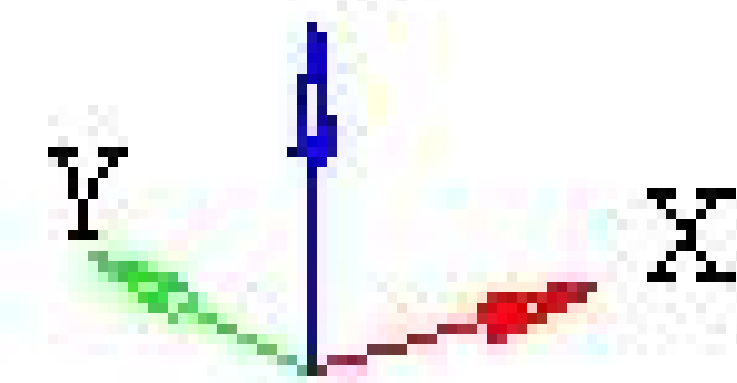
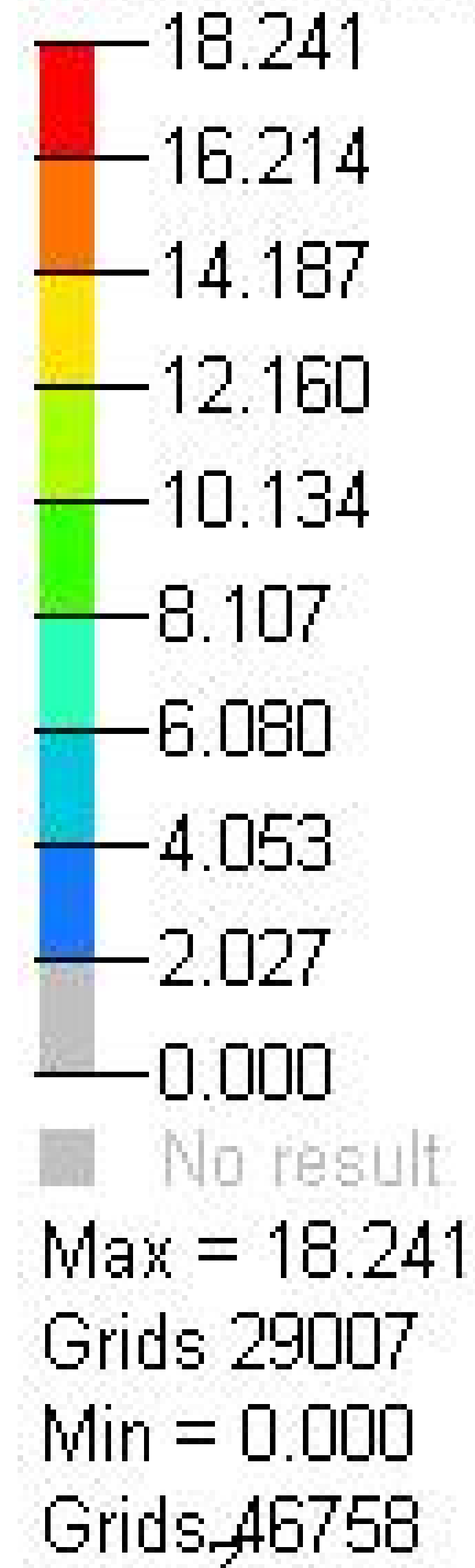
REV/DATE	DESCRIPTION
00 / 1/28/2020	INITIAL REVISION

**LOAD ANALYSIS DATA**

Contour Plot  
Displacement(Mag)  
Analysis system



Contour Plot  
Element Stresses (2D & 3D)(vonMises, Max)  
Global System  
Advanced Average



NOTES:

1. GATE CAN TAKE LOAD OF 4 CHILDREN IF THEY STANDS ON.
2. AVERAGE WEIGHT OF PER CHILD IS TAKEN AT 50 KG.
3. MAX. DESIGN WEIGHT IS 200 KG.

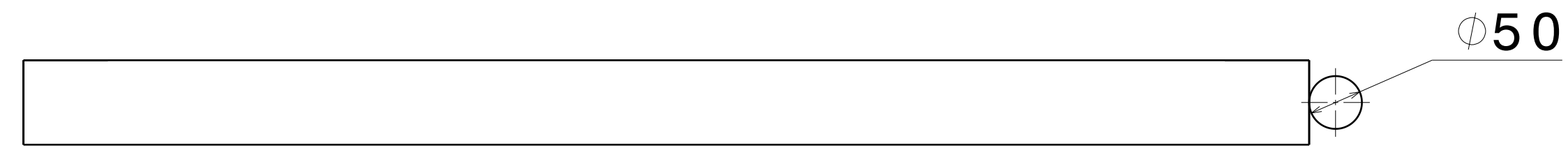
This drawing is our property.  
It can't be reproduced  
or communicated without  
our written agreement.

APL APOLLO TUBES LTD.

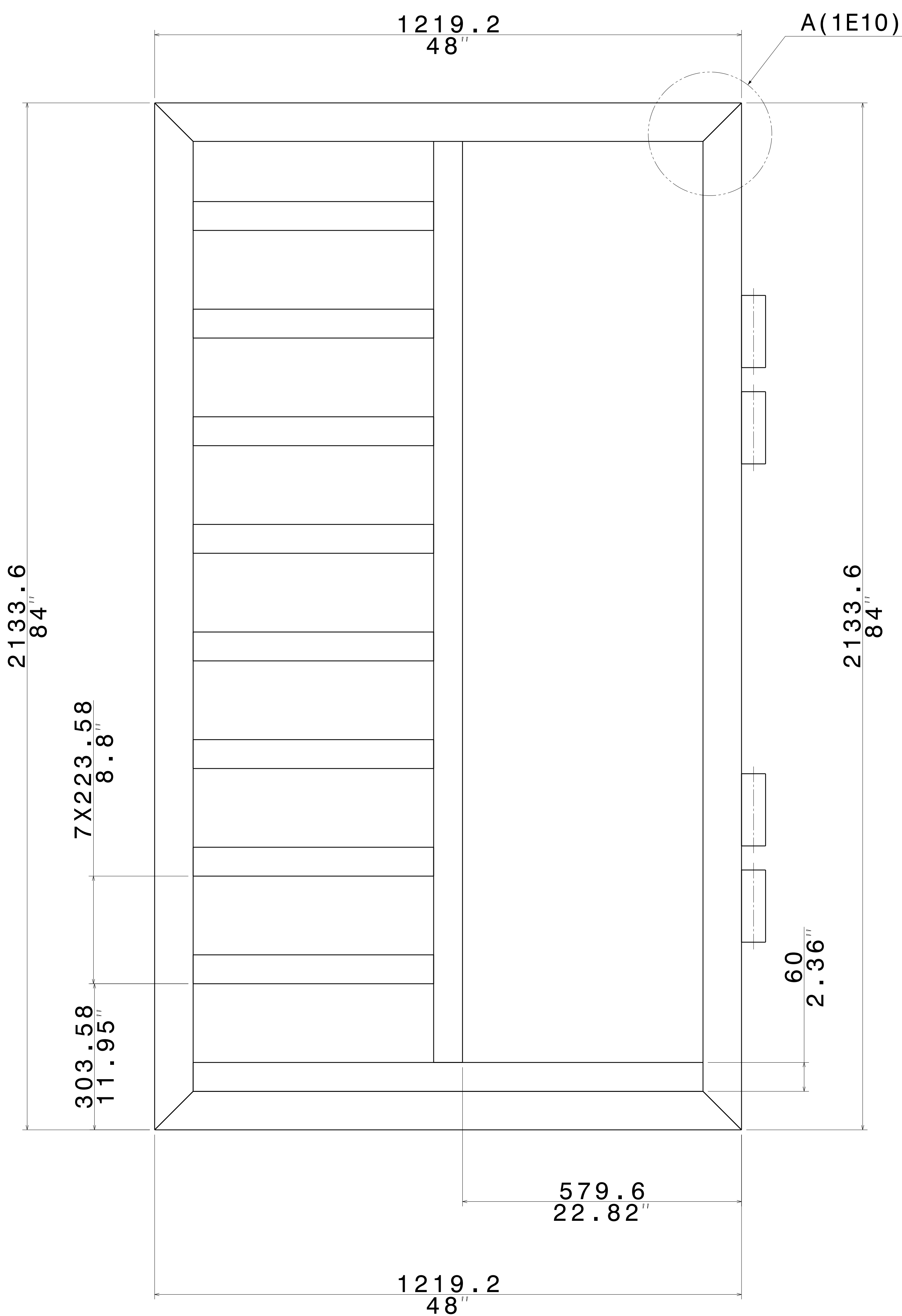
DRAWN BY	DATE	DRAWING TITLE	
SB	1/28/2020	GATE 15 DESIGN 2	
CHECKED BY	DATE	SIZE	DRAWING NUMBER
P2P Analysis & Solutions	1/28/2020	A0	P2P_APL_00015_02
DESIGNED BY	DATE	SCALE	WEIGHT (kg)
P2P Analysis & Solutions	1/28/2020	NONE	XXX
			SHEET 2

UNLESS OTHERWISE SPECIFIED  
DIMENSION ARE IN MM  
VIEWS:  
THIRD ANGLE PROJECTION

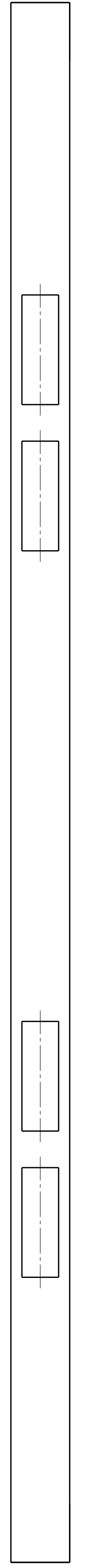
REV	DATE	DESCRIPTION
00	1/28/2020	INITIAL REVISION



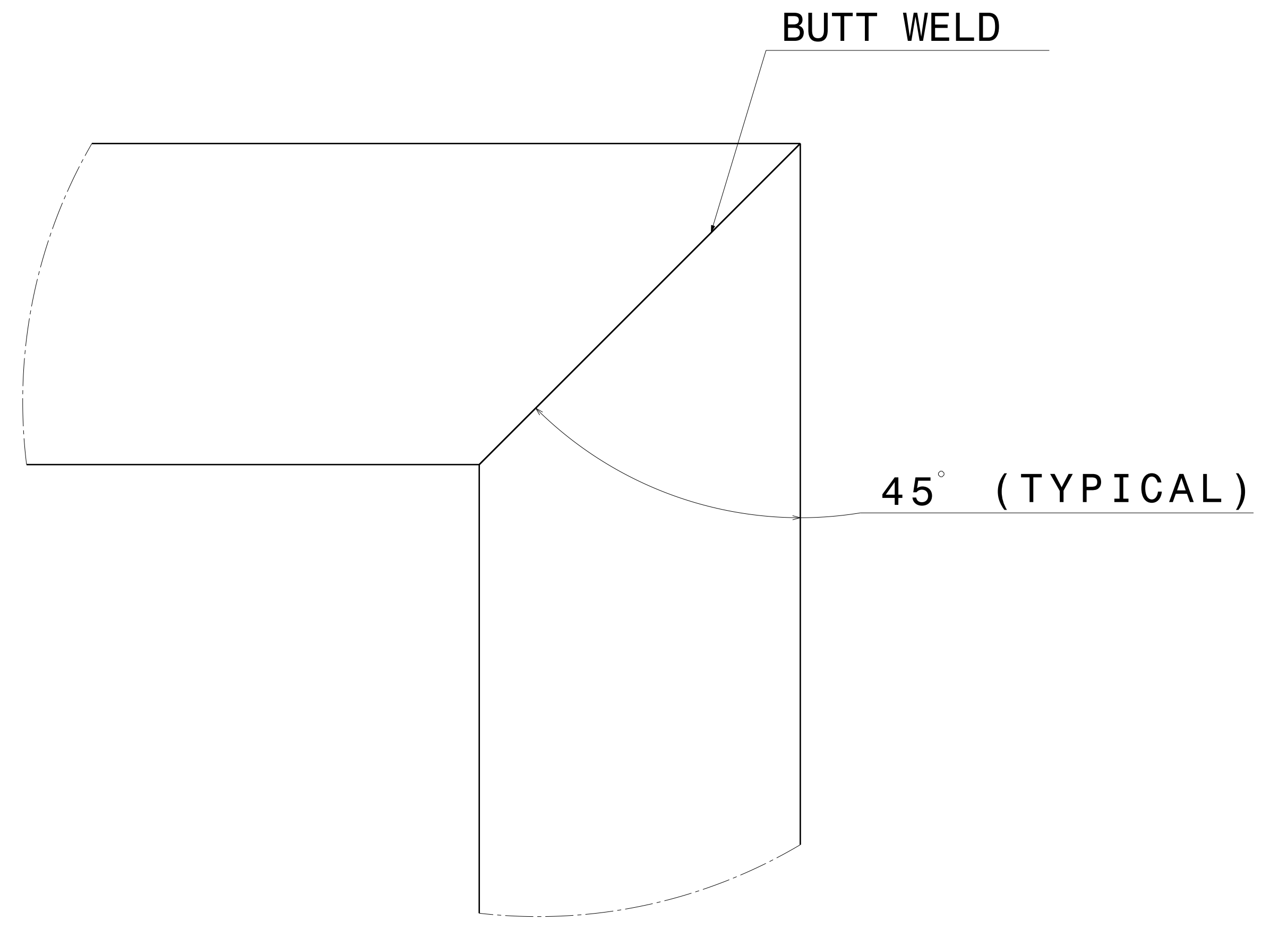
Bottom view  
Scale: 1:5



Front view  
Scale: 1:5

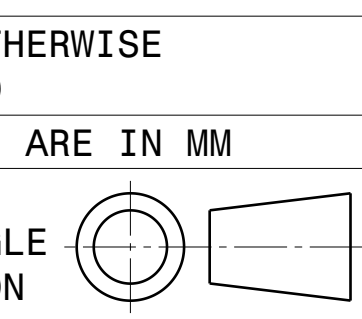


Right view  
Scale: 1:5



Detail A(1I13)  
Scale: 1:1

UNLESS OTHERWISE SPECIFIED DIMENSION ARE IN MM  
VIEWS: THIRD ANGLE PROJECTION



This drawing is our property. It can't be reproduced or communicated without our written agreement.

DRAWN BY	DATE
SB	1/28/2020
CHECKED BY	DATE
P2P Analysis & Solutions	1/28/2020
DESIGNED BY	DATE
P2P Analysis & Solutions	1/28/2020

APL APOLLO TUBES LTD.	
DRAWING TITLE	
GATE 15 DESIGN	
SIZE	DRAWING NUMBER
A0	P2P_APL_00015_02
SCALE	WEIGHT (kg)
NONE	XXX
SHEET	2

