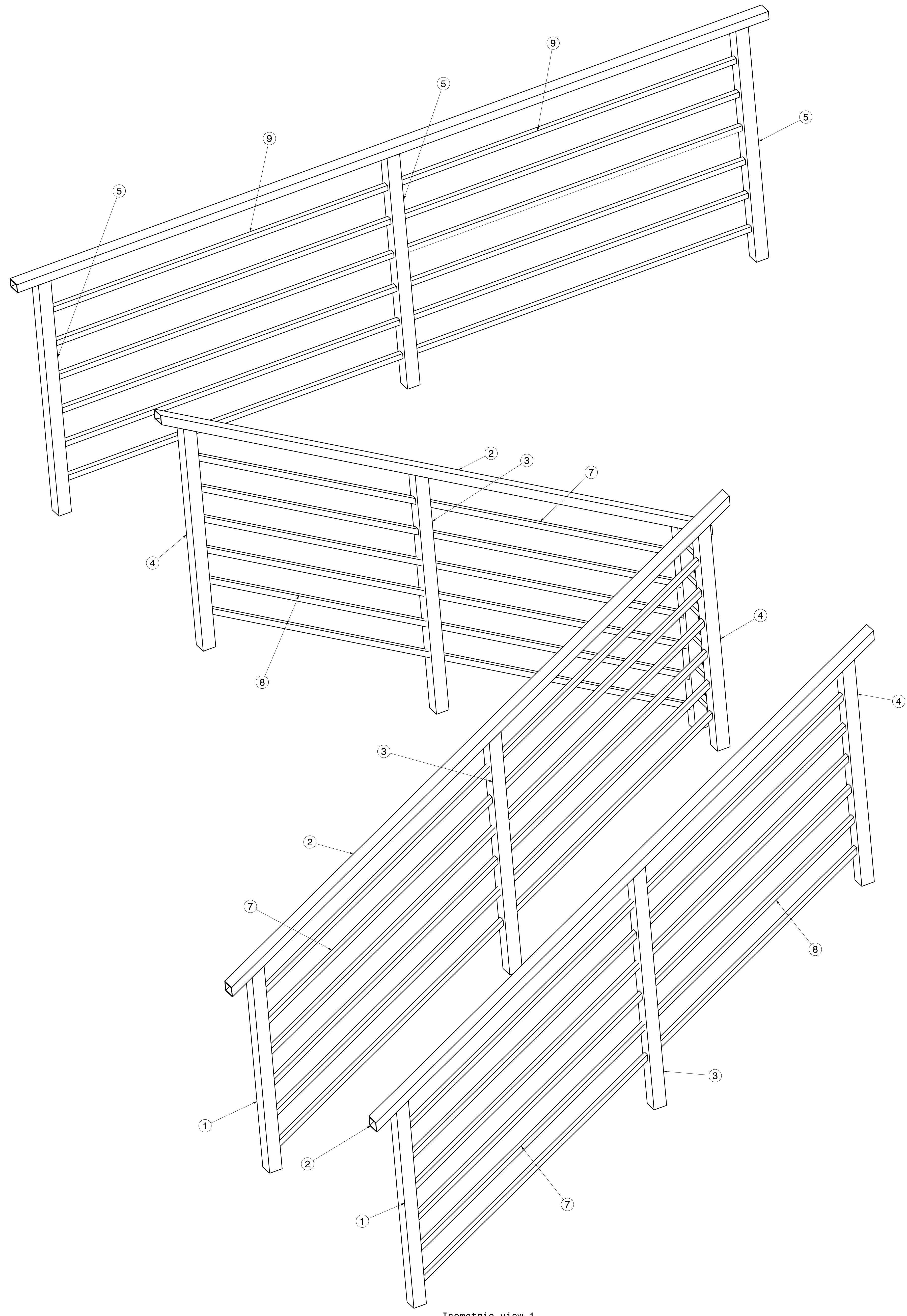


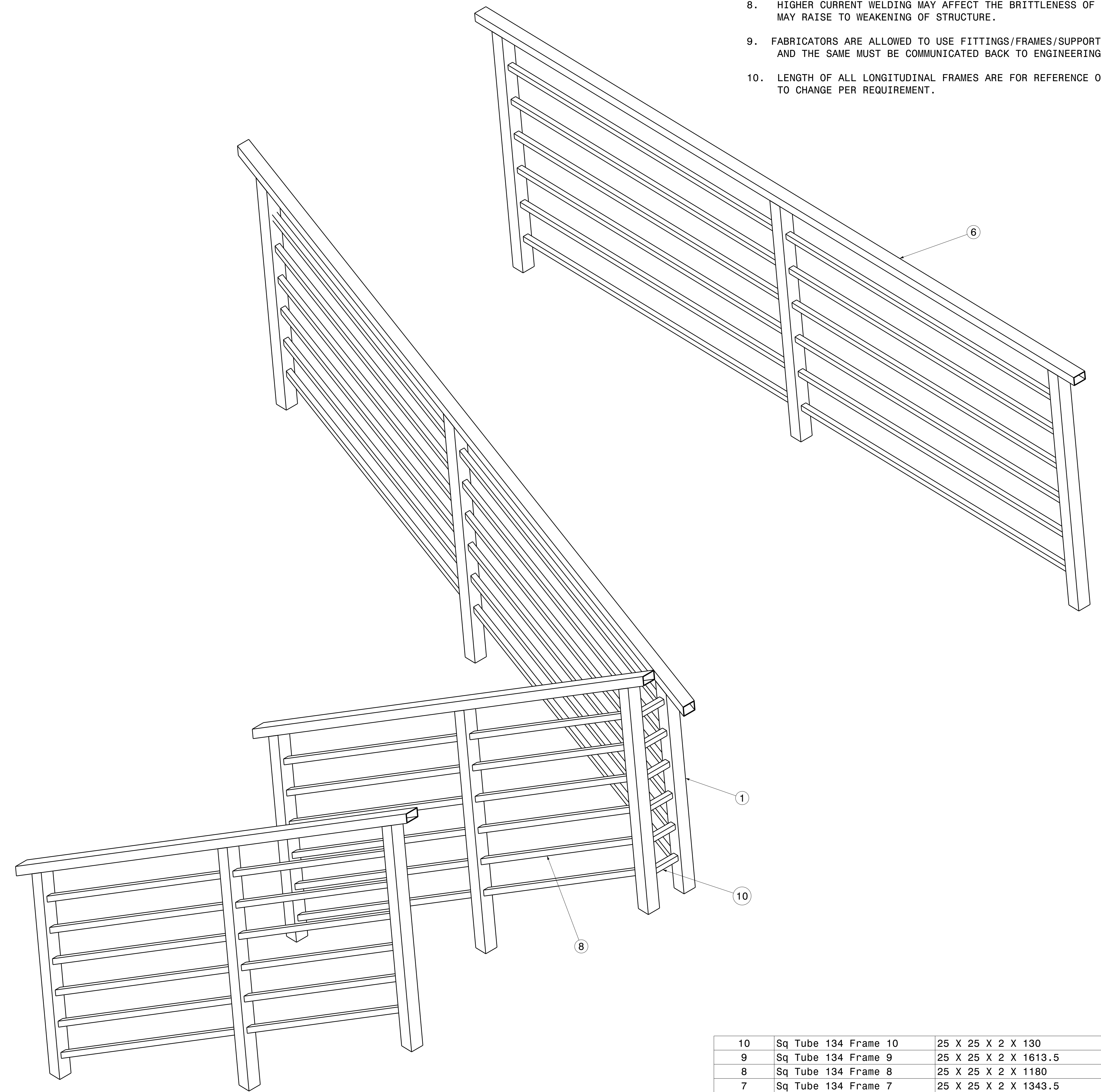
REV/DATE	DESCRIPTION
00 10/04/2020	INITIAL REVISION

NOTES:

- (⊥) ALL VERTICAL SUPPORTS ARE PERPENDICULAR.
- FLATNESS OF .5MM IS APPLIED BY DEFAULT.
- ∇ WELD BEAD OF 2MM RADIUS IS FOLLOWED.
- ▽▽ SURFACE FINISH MEDIUM TO SMOOTH IS USED.
- ALL TUBES ARE AS PER APL APOLLO STANDARD. CHANGES MAY EFFECT THE LOAD CAPACITY.
- ALL HORIZONTAL AND VERTICAL TUBES ARE PERPENDICULAR TO EACH OTHER WITH ±1 DEG.
- FINE WELDING IS REQUIRED AS PER MENTIONED DETAILS AND FINISHING.
- HIGHER CURRENT WELDING MAY AFFECT THE BRITTLENESS OF MATERIAL WHICH LATER MAY RAISE TO WEAKENING OF STRUCTURE.
- FABRICATORS ARE ALLOWED TO USE FITTINGS/FRAMES/SUPPORTS AS NEEDED AND THE SAME MUST BE COMMUNICATED BACK TO ENGINEERING TEAM.
- LENGTH OF ALL LONGITUDINAL FRAMES ARE FOR REFERENCE ONLY AND SUBJECTED TO CHANGE PER REQUIREMENT.




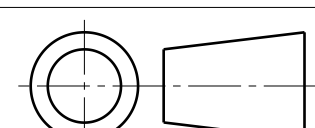
Isometric view-1



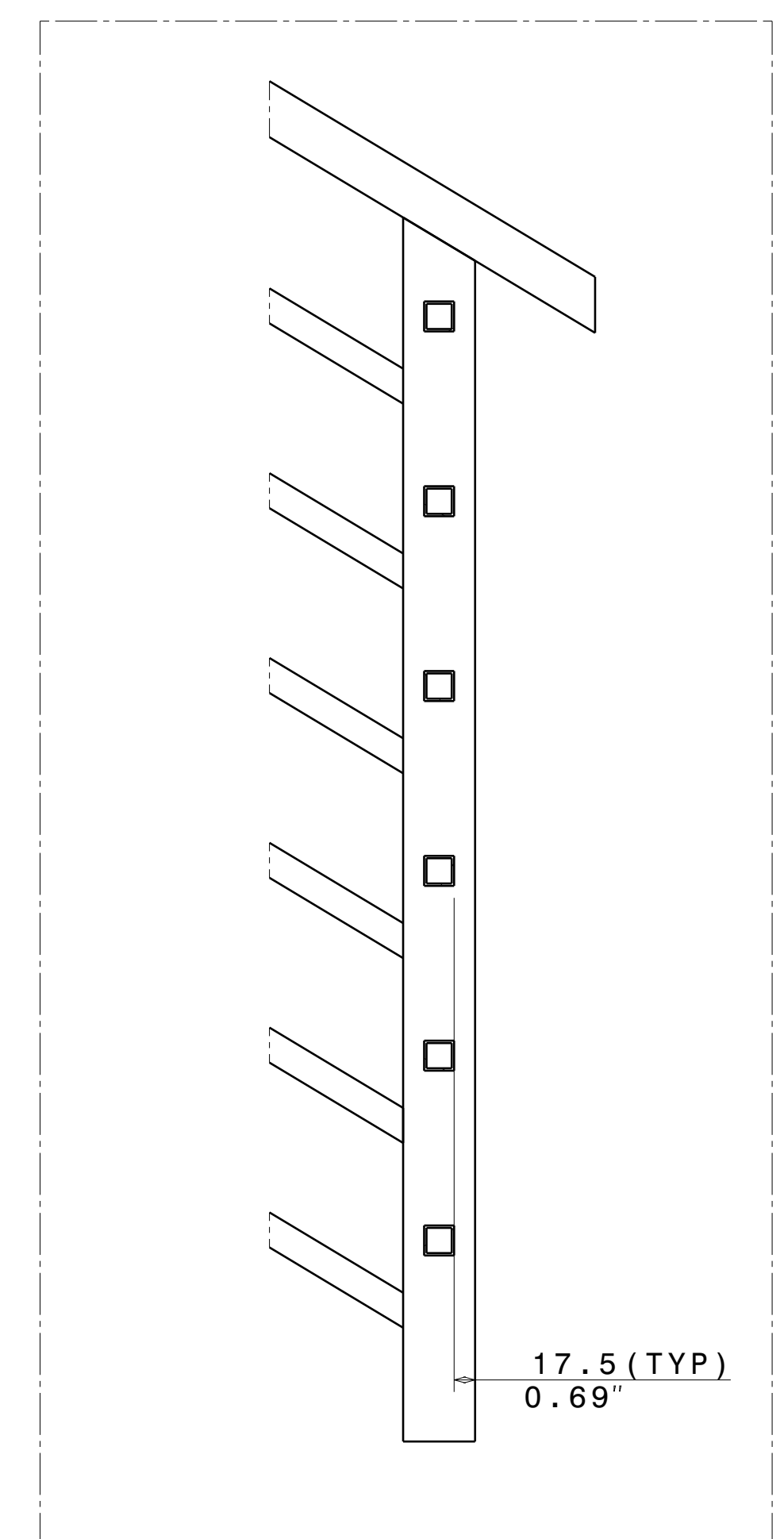
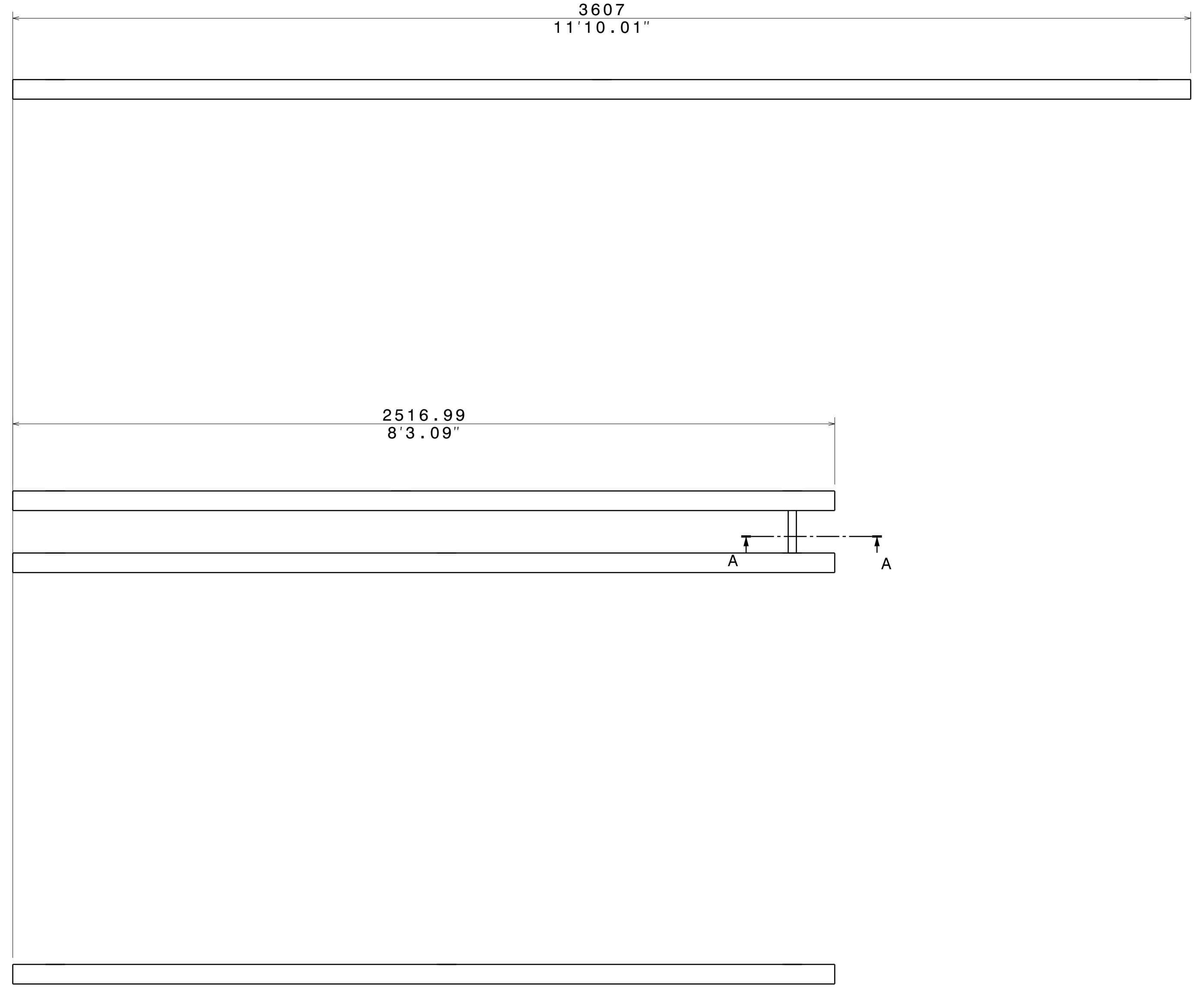
Isometric view-2

ITEM NO.	PART NUMBER	DESCRIPTION	QTY.	Wt (Kg)/Each
10	Sq Tube 134 Frame 10	25 X 25 X 2 X 130	6	0.2
9	Sq Tube 134 Frame 9	25 X 25 X 2 X 1613.5	12	2.3
8	Sq Tube 134 Frame 8	25 X 25 X 2 X 1180	18	1.7
7	Sq Tube 134 Frame 7	25 X 25 X 2 X 1343.5	18	1.9
6	Rect Tube 134 Frame 6	60 X 40 X 2.6 X 3607	1	13.9
5	Sq Tube 134 Frame 5	60 X 60 X 3.2 X 1160	3	6.6
4	Sq Tube 134 Frame 4	60 X 60 X 3.2 X 1116	3	6.2
3	Sq Tube 134 Frame 3	60 X 60 X 3.2 X 1200	3	6.7
2	Rect Tube 134 Frame 2	60 X 40 X 2.6 X 2960.5	3	11.3
1	Sq Tube 134 Frame 1	60 X 60 X 3.2 X 1020	3	5.7

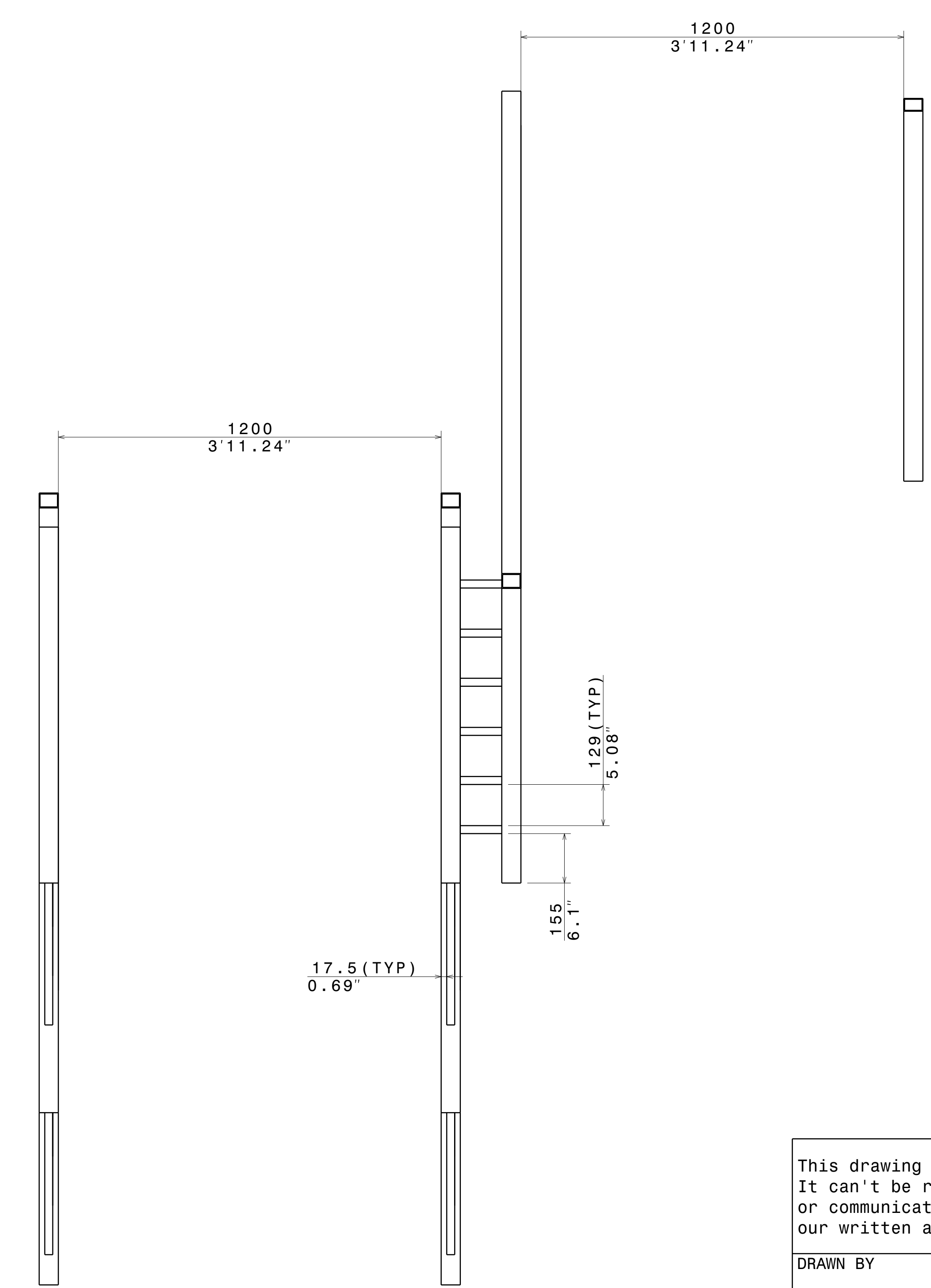
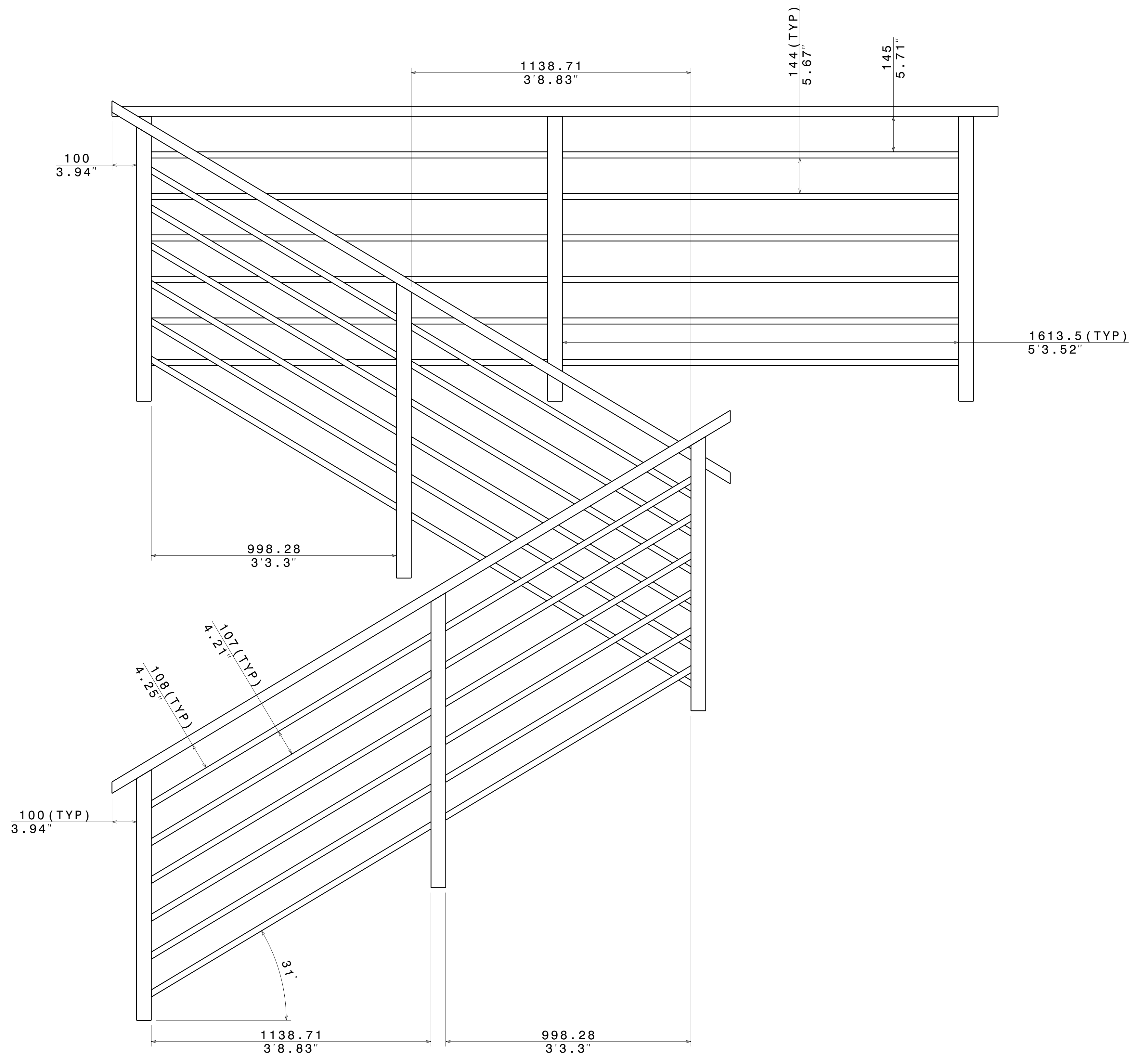
This drawing is our property. It can't be reproduced or communicated without our written agreement.		APL APOLLO TUBES LTD. 	
DRAWN BY SB		DATE 10/04/2020	
CHECKED BY P2P Analysis & Solutions		DATE 10/04/2020	
DESIGNED BY P2P Analysis & Solutions		DATE 10/04/2020	
DRAWING TITLE PAGE 134		SIZE A0	DRAWING NUMBER P2P HAND RAIL_16
SCALE As Indicated		WEIGHT (kg) 0kg	REV 00
		SHEET 1 OF 5	

UNLESS OTHERWISE SPECIFIED DIMENSION ARE IN MM VIEWS: THIRD ANGLE PROJECTION 

REV	DATE	DESCRIPTION
00	10/04/2020	INITIAL REVISION




Section view A-A
Scale: 1:5



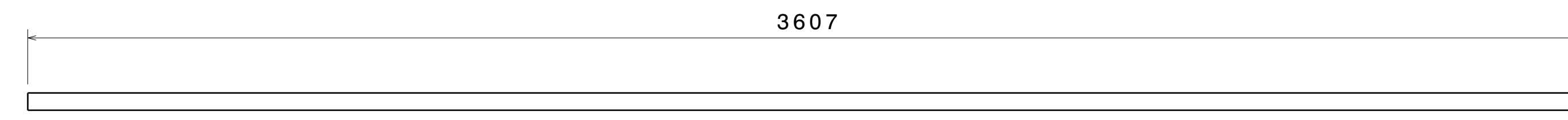
UNLESS OTHERWISE SPECIFIED DIMENSION ARE IN MM VIEWS: THIRD ANGLE PROJECTION

This drawing is our property. It can't be reproduced or communicated without our written agreement.

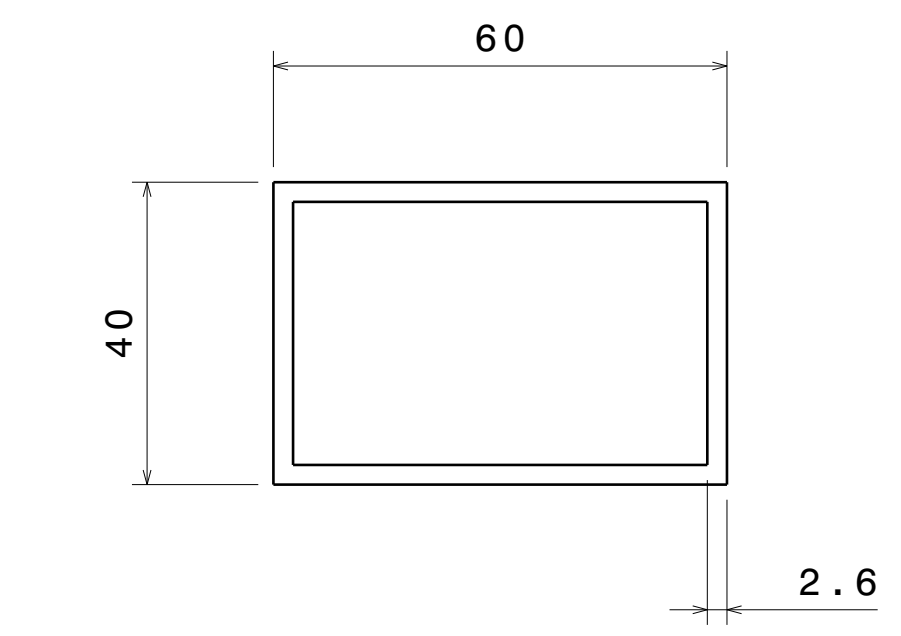
DRAWN BY	DATE
SB	10/04/2020
CHECKED BY	DATE
P2P Analysis & Solutions	10/04/2020
DESIGNED BY	DATE
P2P Analysis & Solutions	10/04/2020

APL APOLLO TUBES LTD. 	
DRAWING TITLE	
PAGE 134	
SIZE	DRAWING NUMBER
A0	P2P HAND RAIL_16
SCALE	WEIGHT (kg)
NONE	XXX
SHEET 2 OF 5	

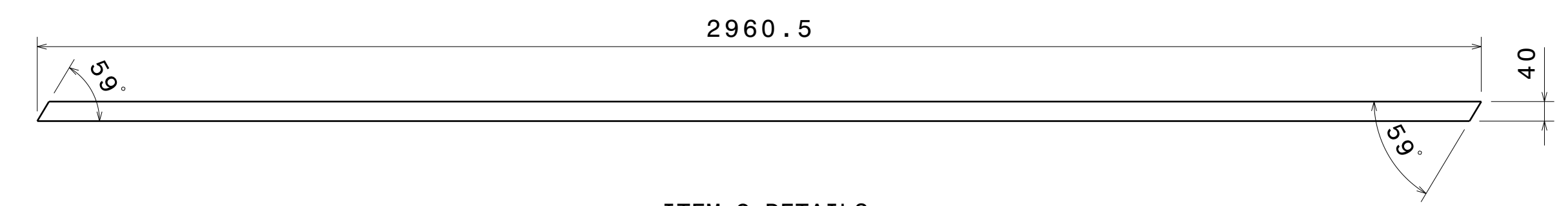
REV	DATE	DESCRIPTION
00	10/04/2020	INITIAL REVISION



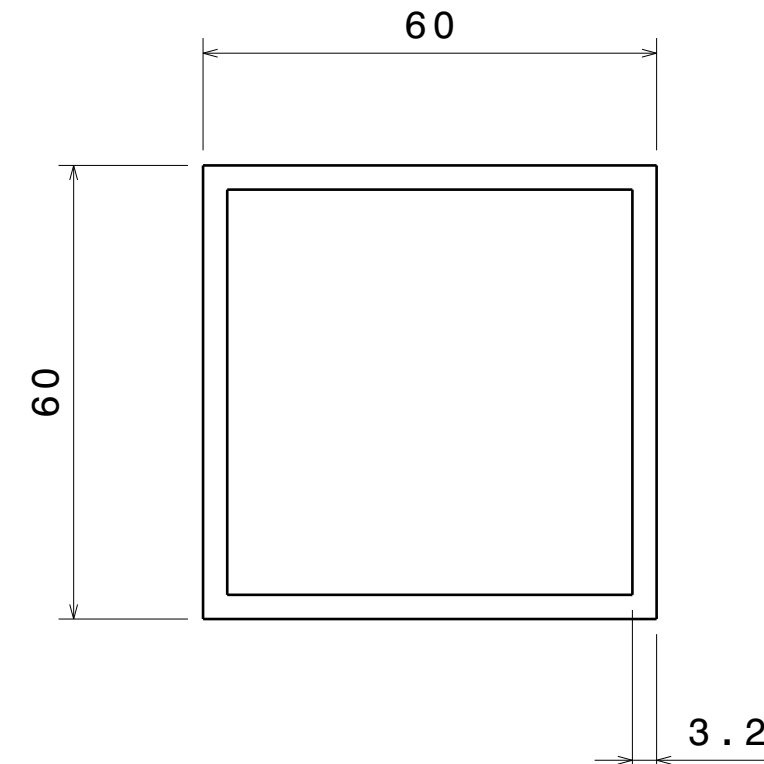
ITEM 6 DETAILS
Rect Tube 134 Frame 6



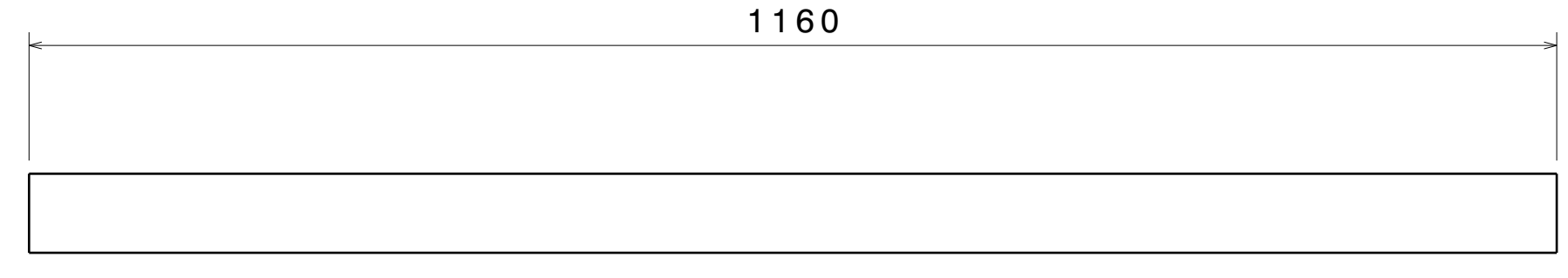
Section Detail of ITEM 2 & 6
Scale: 1:1



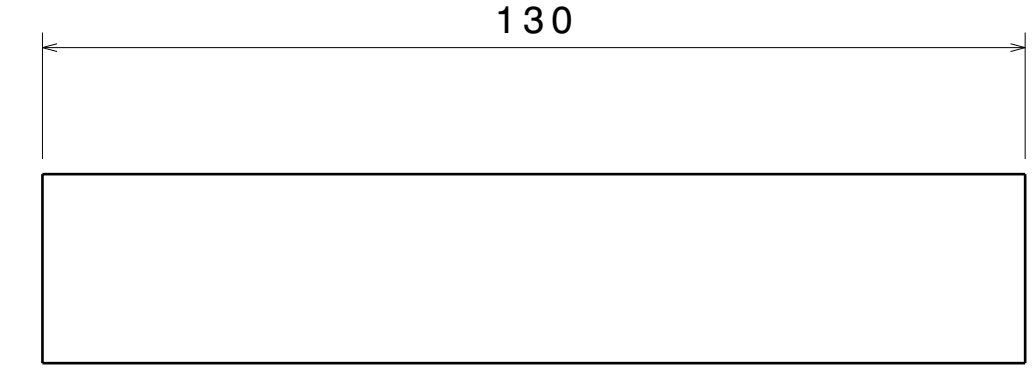
ITEM 2 DETAILS
Rect Tube 134 Frame 2



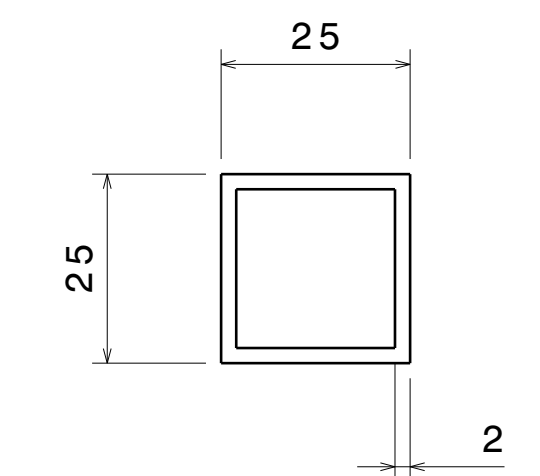
Section Detail of ITEM 1,3,4 & 5
Scale: 1:1



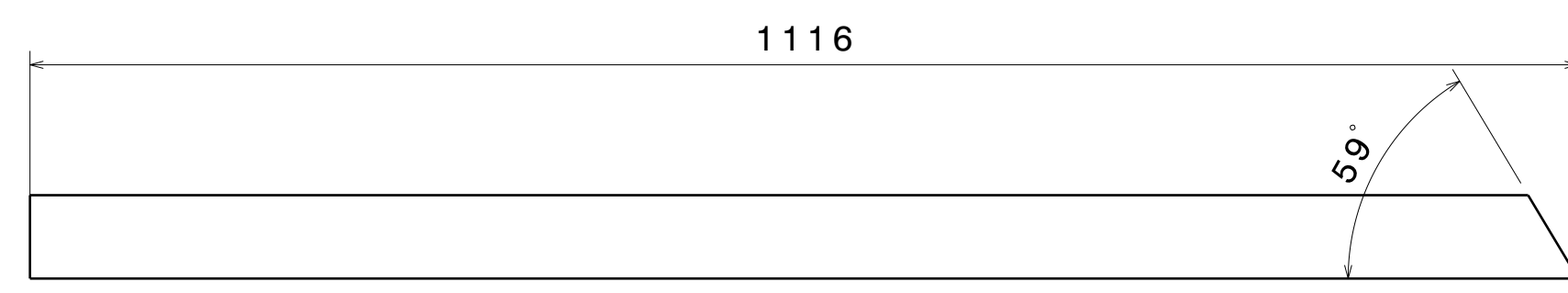
ITEM 5 DETAILS
Sq Tube 134 Frame 5



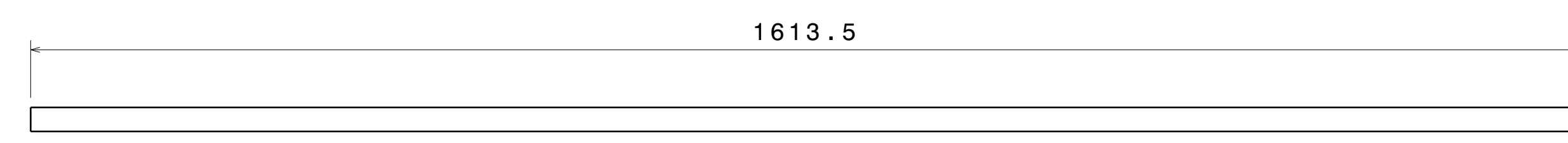
ITEM 10 DETAILS
Sq Tube 134 Frame 10



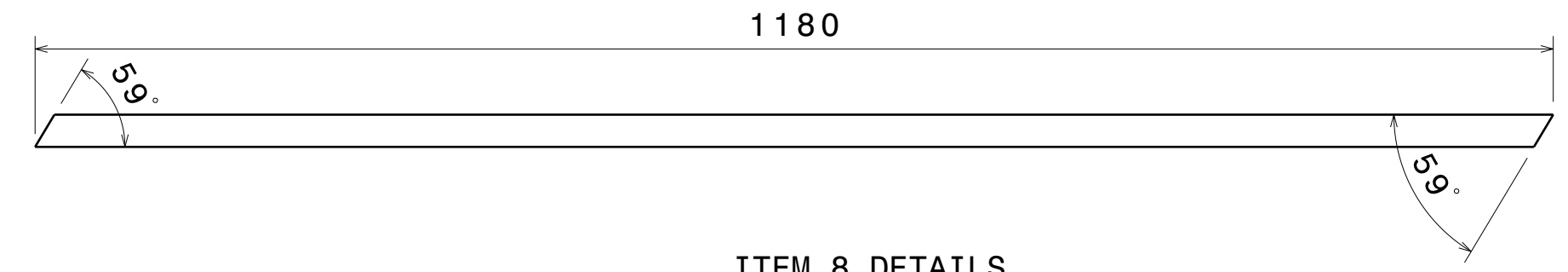
Section Detail of ITEM 7,8,9 & 10
Scale: 1:1



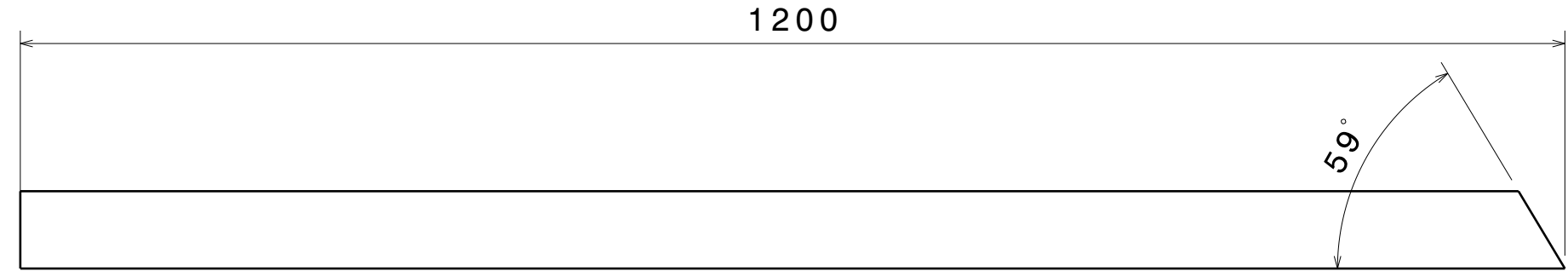
ITEM 4 DETAILS
Sq Tube 134 Frame 4



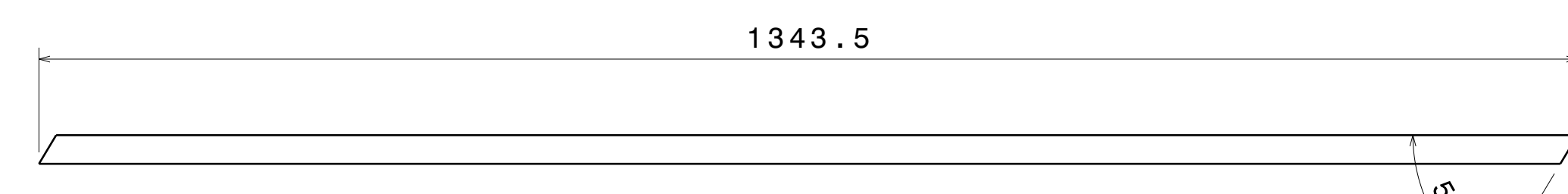
ITEM 9 DETAILS
Sq Tube 134 Frame 9



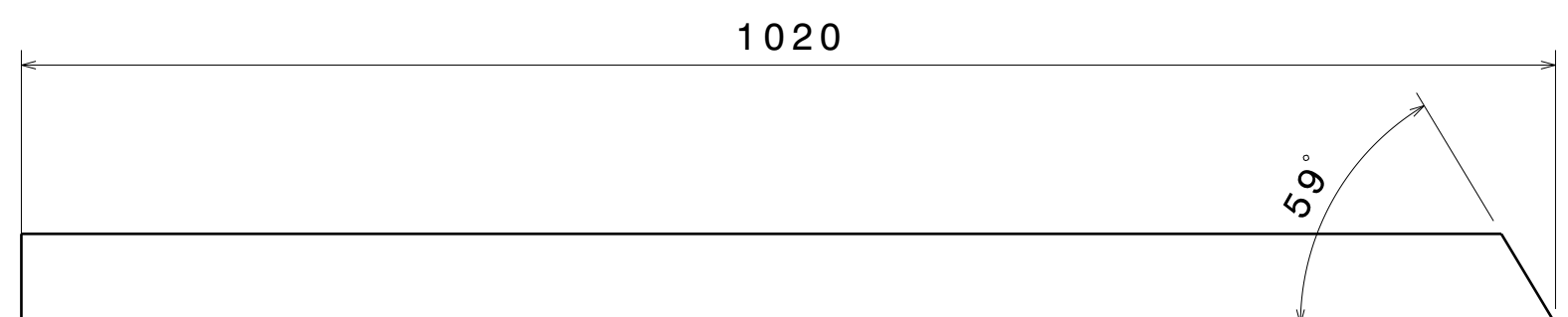
ITEM 8 DETAILS
Sq Tube 134 Frame 8



ITEM 3 DETAILS
Sq Tube 134 Frame 3



ITEM 7 DETAILS
Sq Tube 134 Frame 7



ITEM 1 DETAILS
Sq Tube 134 Frame 1

This drawing is our property. It can't be reproduced or communicated without our written agreement.

APL APOLLO TUBES LTD.

DRAWING TITLE
PAGE 134

UNLESS OTHERWISE SPECIFIED DIMENSION ARE IN MM VIEWS: THIRD ANGLE PROJECTION

DRAWN BY	DATE
SB	10/04/2020
CHECKED BY	DATE
P2P Analysis & Solutions	10/04/2020
DESIGNED BY	DATE
P2P Analysis & Solutions	10/04/2020

SIZE	DRAWING NUMBER	REV
A0	P2P HAND RAIL_16	00
SCALE	NONE	WEIGHT (kg) XXX
		SHEET 3 OF 5