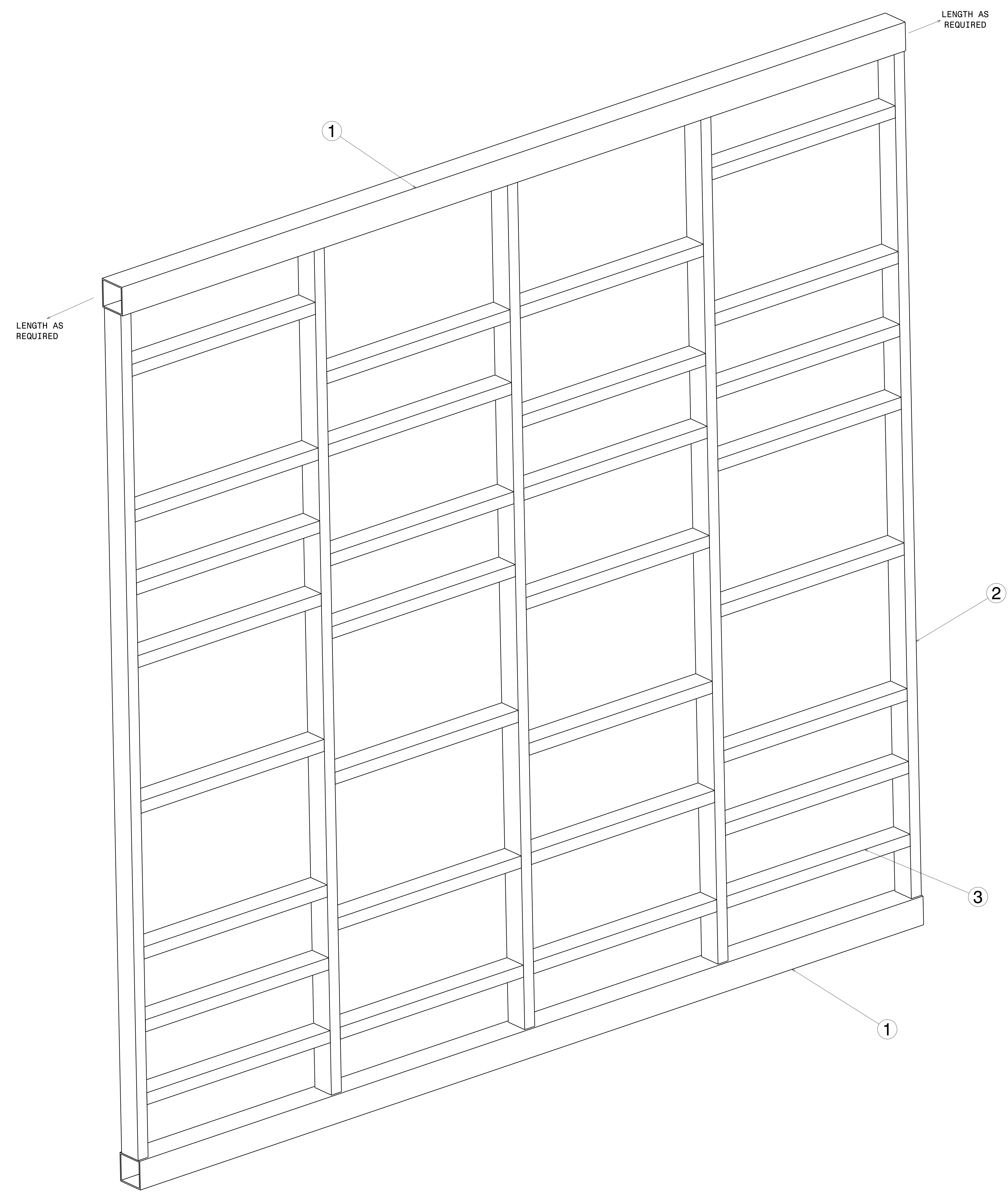



REV/DATE	DESCRIPTION
00 13MAR2020	INITIAL REVISION

- NOTES:
1. (⊥) ALL VERTICAL SUPPORTS ARE PERPENDICULAR.
 2. □ FLATNESS OF .5MM IS APPLIED BY DEFAULT.
 3. ⚡ WELD BEAD OF 2MM RADIUS IS FOLLOWED.
 4. ∇ SURFACE FINISH MEDIUM TO SMOOTH IS USED.
 5. ALL TUBES ARE AS PER APL APOLLO STANDARD. CHANGES MAY EFFECT THE LOAD CAPACITY.
 6. ALL HORIZONTAL AND VERTICAL TUBES ARE PERPENDICULAR TO EACH OTHER WITH ±1 DEG.
 7. FINE WELDNG IS REQUIRED AS PER MENTIONED DETAILS AND FINISHING.
 8. HIGHER CURRENT WELDING MAY AFFECT THE BRITTLNESS OF MATERIAL WHICH LATER MAY RAISE TO WEAKENING OF STRUCTURE.
 9. APPROX. WEIGHT FOR THE DRAWN STRUCTUTRE IS 60KG.
 10. FABRICATORS ARE ALLOWED TO USE FITTINGS/FRAMES/SUPPORTS AS NEEDED AND THE SAME MUST BE COMMUNICATED BACK TO ENGINEERING TEAM.
 11. LENGTH OF ALL LONGITUDINAL FRAMES ARE FOR REFERENCE ONLY AND SUBJECTED TO CHANGE PER REQUIREMENT.

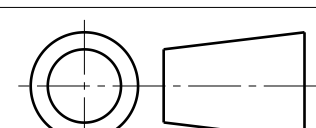


ISOMTERIC VIEW

ITEM NO.	PART NUMBER	DESCRIPTION	QTY.	Wt (Kg/Each)
3	Rect Tube 120 Frame 2	50 X 25 X 2 X 457.2	AS REQUIRED	1.05
2	Rect Tube 120 Frame 1	50 X 25 X 2 X 1768.8	AS REQUIRED	5.1
1	Sq Tube 120 Frame 1	80 X 80 X 3.2 X 1953.8	AS REQUIRED	9.2

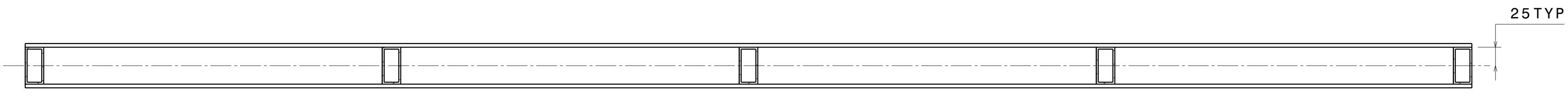
This drawing is our property. It can't be reproduced or communicated without our written agreement.		APL APOLLO TUBES LTD. 	
DRAWN BY SB		DATE 13MAR2020	
CHECKED BY P2P Analysis & Solutions		DATE 13MAR2020	
DESIGNED BY P2P Analysis & Solutions		DATE 13MAR2020	
SIZE A0	DRAWING NUMBER P2P HAND RAIL_02	REV 00	SHEET 1 OF 5
SCALE As Indicated	WEIGHT (kg) 0kg		

UNLESS OTHERWISE SPECIFIED DIMENSION ARE IN MM
VIEWS: THIRD ANGLE PROJECTION

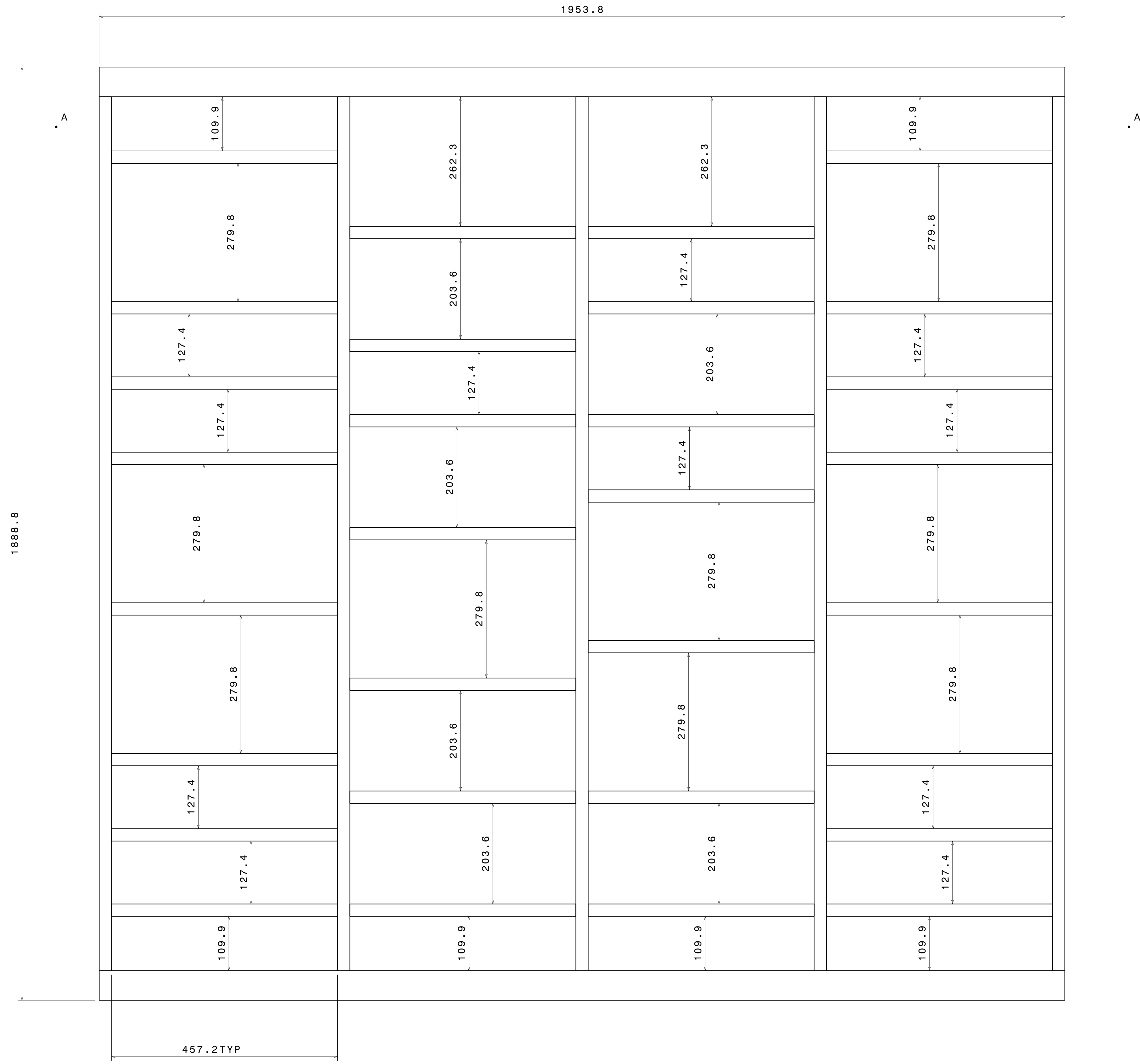


PAGE - 120

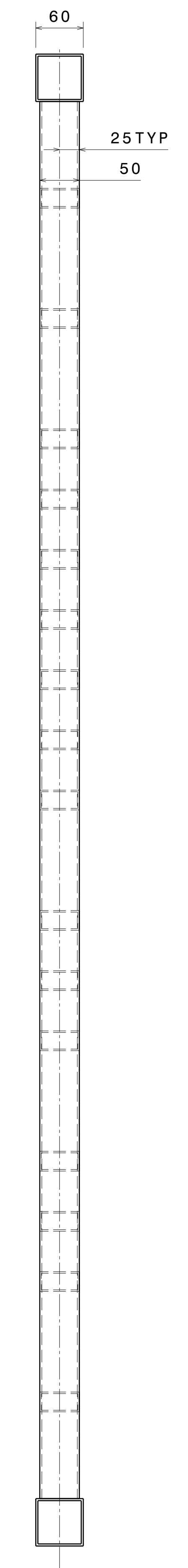
REV	DATE	DESCRIPTION
00	13MAR2020	INITIAL REVISION



Section view A-A
Scale: 1:4

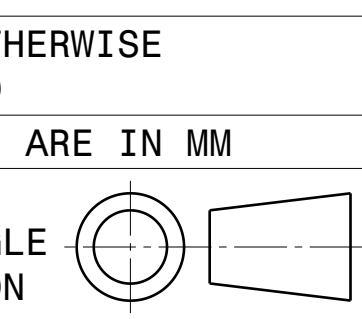


Front view
Scale: 1:4




Right view
Scale: 1:4

UNLESS OTHERWISE SPECIFIED DIMENSION ARE IN MM
VIEWS: THIRD ANGLE PROJECTION



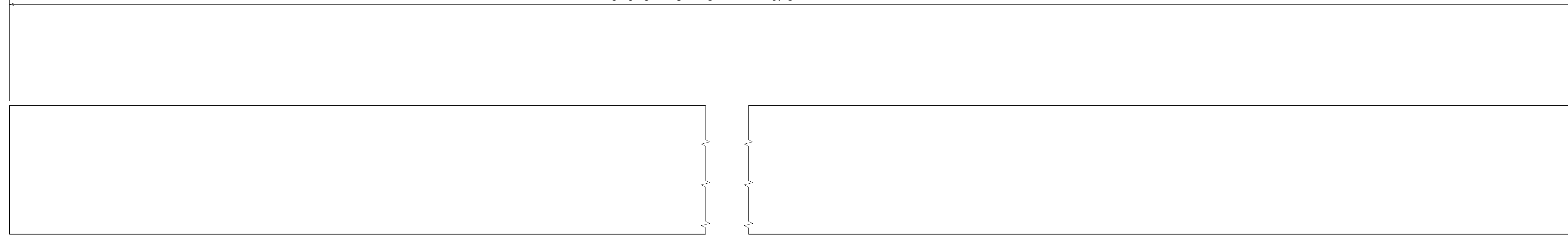
This drawing is our property. It can't be reproduced or communicated without our written agreement.

DRAWN BY	DATE
SB	13MAR2020
CHECKED BY	DATE
P2P Analysis & Solutions	13MAR2020
DESIGNED BY	DATE
P2P Analysis & Solutions	13MAR2020

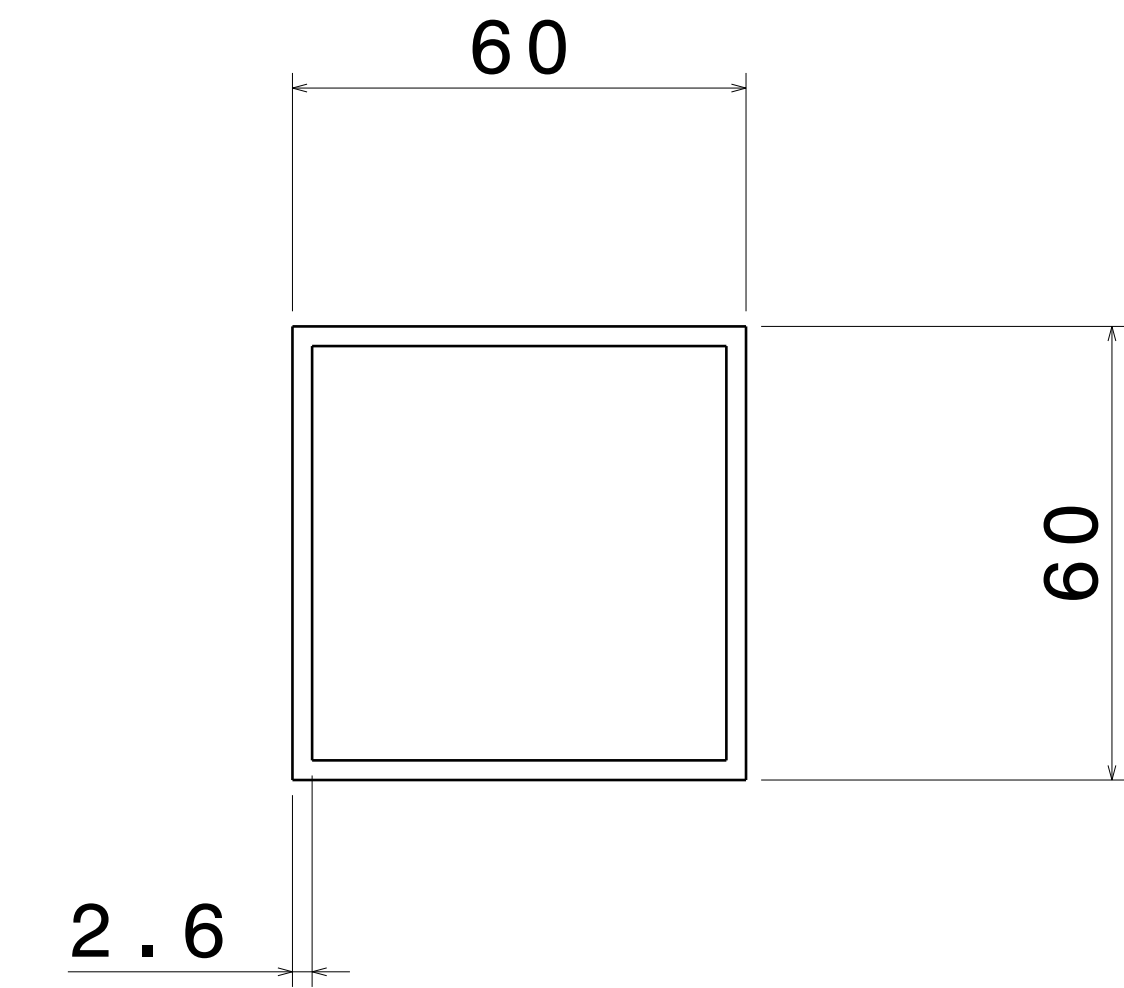
APL APOLLO TUBES LTD. 	
DRAWING TITLE	
PAGE - 120	
SIZE	DRAWING NUMBER
A0	P2P HAND RAIL_02
SCALE	WEIGHT (kg)
NONE	XXX
REV	SHEET 2 OF 5
00	

REV	DATE	DESCRIPTION
00	13MAR2020	INITIAL REVISION

1953.8AS REQUIRED

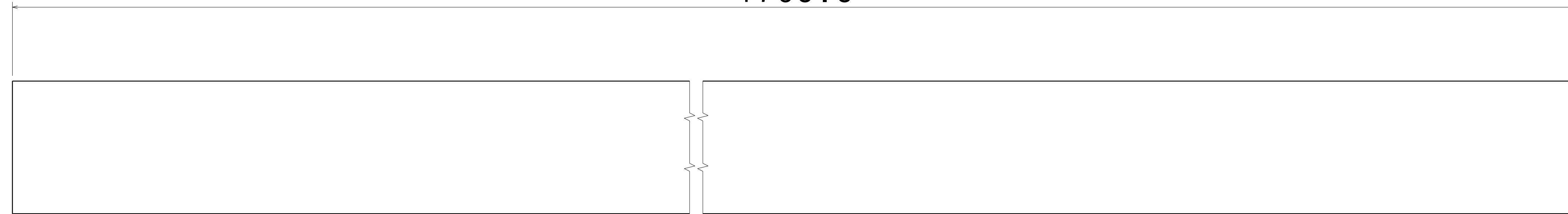


ITEM 1

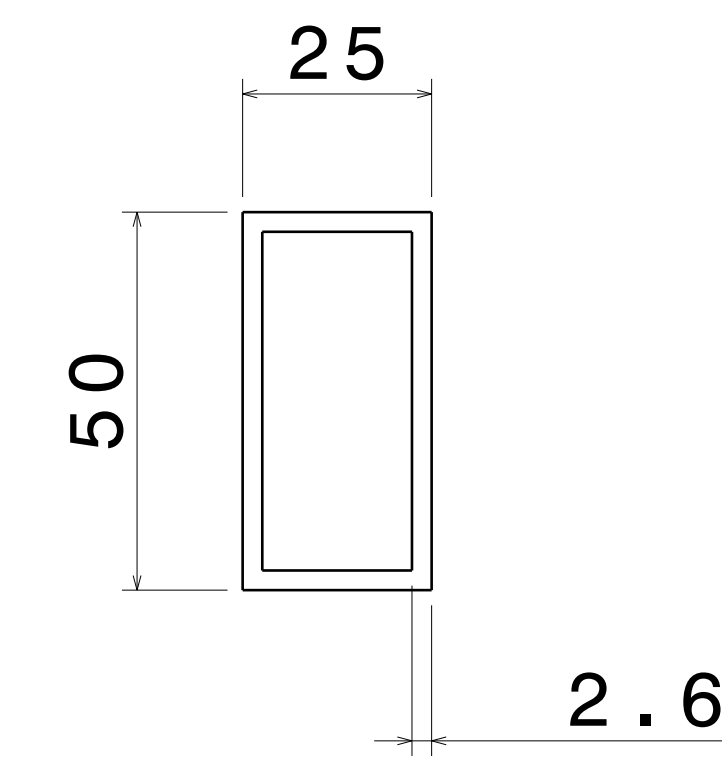


Right view
Scale: 1:1

1768.8

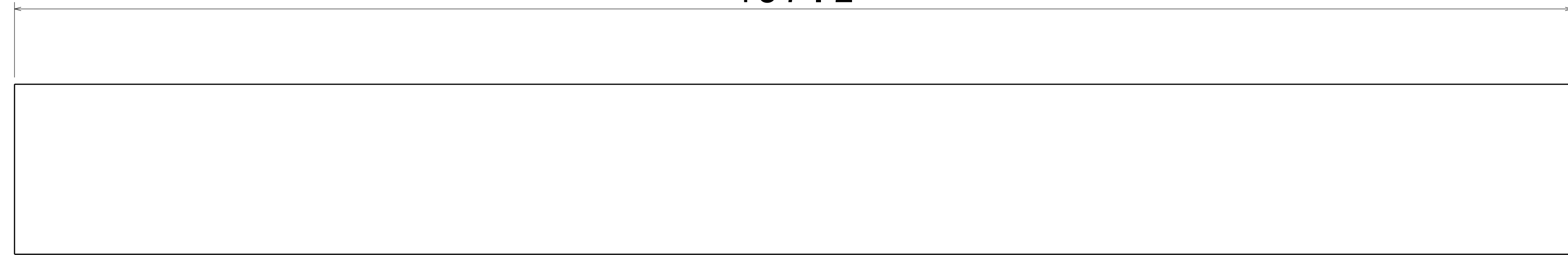


ITEM 2

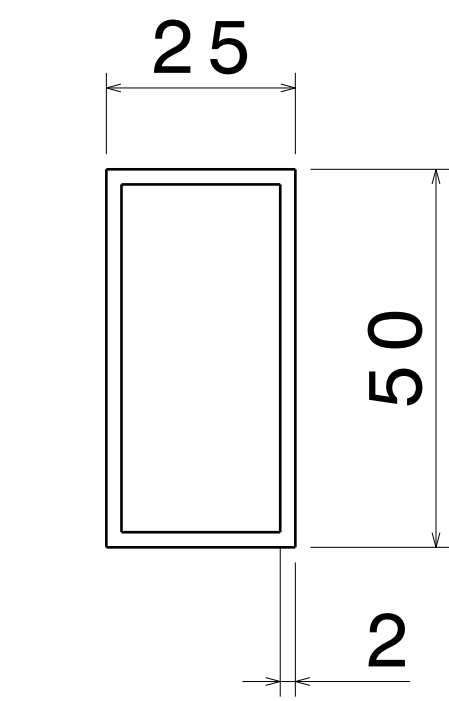


Right view
Scale: 1:1


457.2



ITEM 3



Right view
Scale: 1:1

This drawing is our property. It can't be reproduced or communicated without our written agreement.		APL APOLLO TUBES LTD. 	
DRAWN BY SB		DRAWING TITLE PAGE - 120	
CHECKED BY P2P Analysis & Solutions		DATE 13MAR2020	
DESIGNED BY P2P Analysis & Solutions		DATE 13MAR2020	
SIZE A0	DRAWING NUMBER P2P_HAND_RAIL_02	REV 00	
SCALE NONE	WEIGHT (kg) XXX	SHEET 3 OF 5	

UNLESS OTHERWISE SPECIFIED DIMENSION ARE IN MM
VIEWS: THIRD ANGLE PROJECTION

