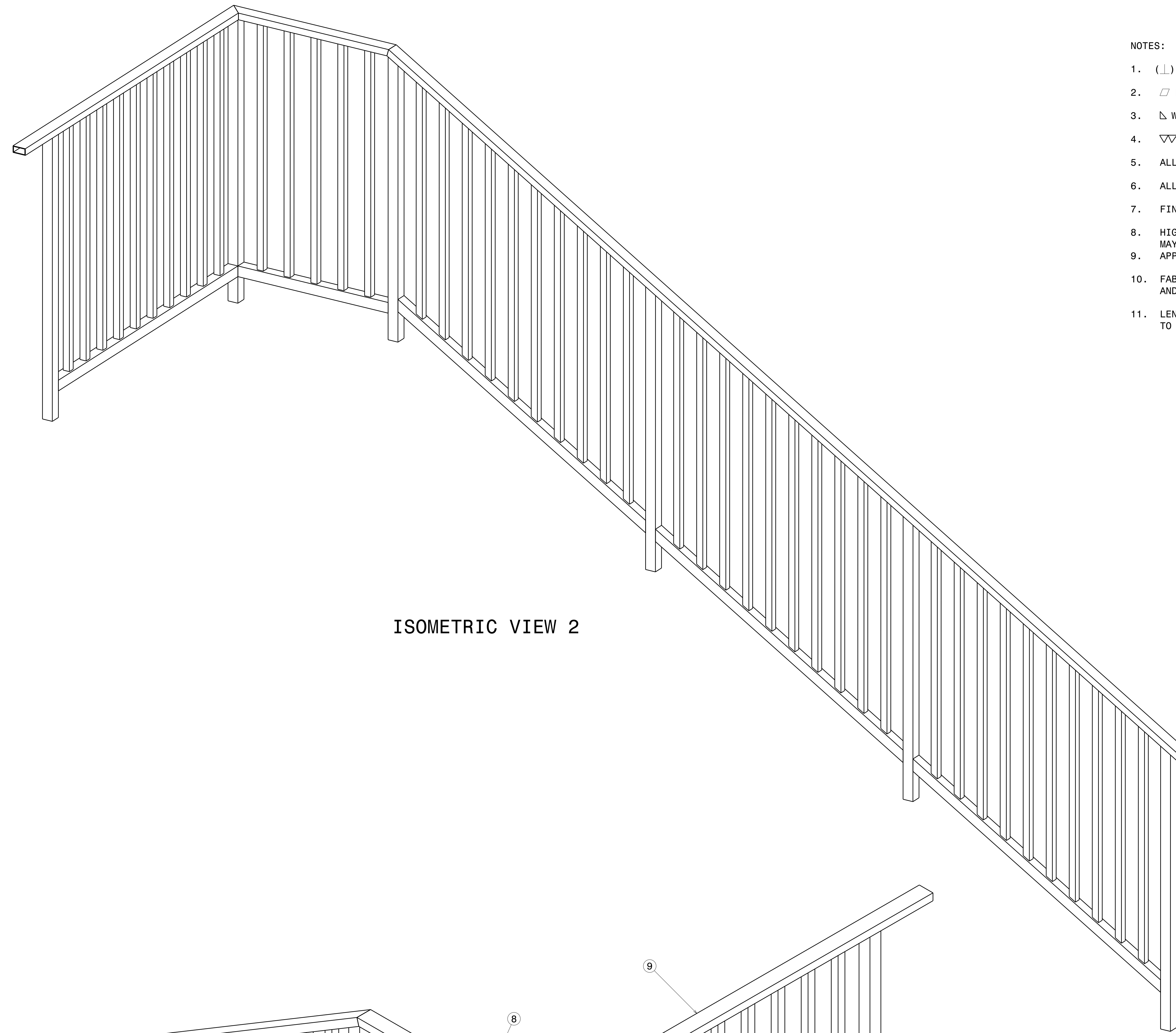
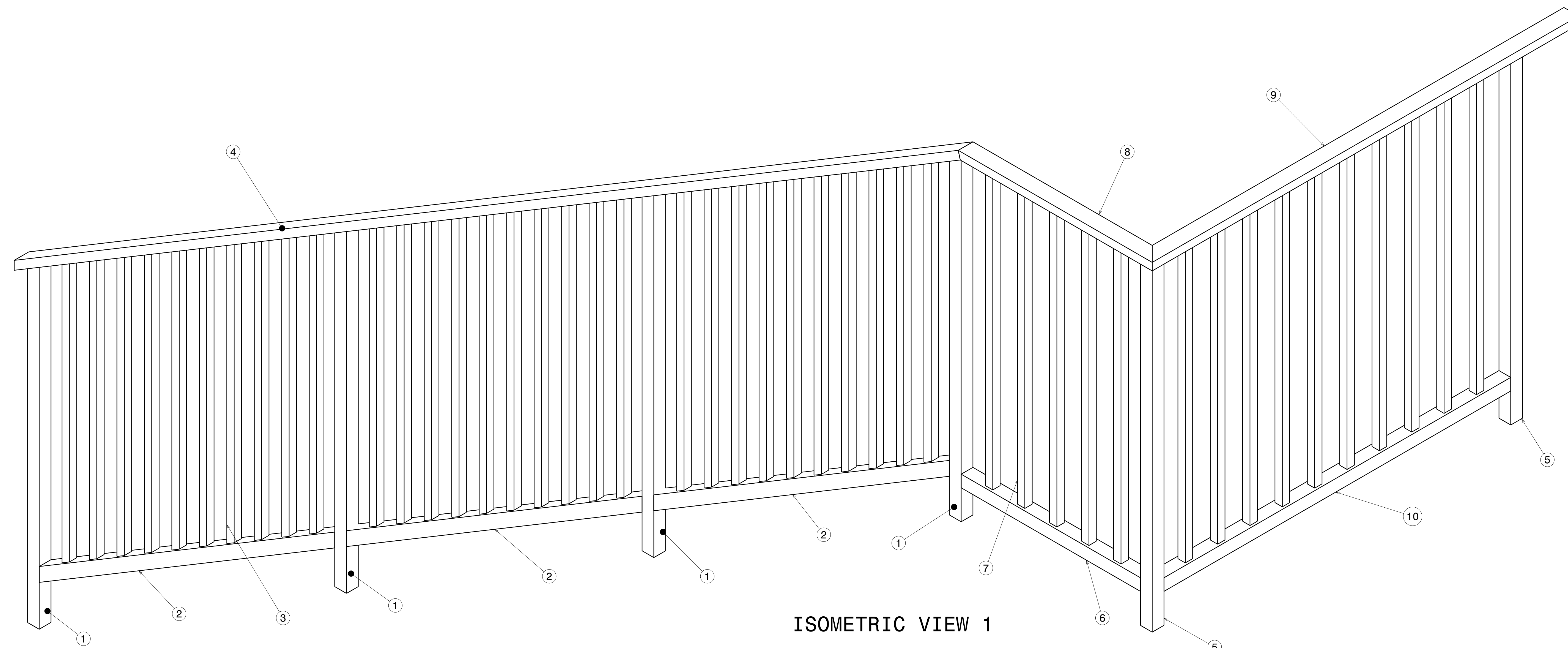


| REV/DATE | DESCRIPTION |
|--------------|------------------|
| 00 14MAR2020 | INITIAL REVISION |

- NOTES:
- (⊥) ALL VERTICAL SUPPORTS ARE PERPENDICULAR.
 - FLATNESS OF .5MM IS APPLIED BY DEFAULT.
 - ⊲ WELD BEAD OF 2MM RADIUS IS FOLLOWED.
 - ▽▽ SURFACE FINISH MEDIUM TO SMOOTH IS USED.
 - ALL TUBES ARE AS PER APL APOLLO STANDARD. CHANGES MAY EFFECT THE LOAD CAPACITY.
 - ALL HORIZONTAL AND VERTICAL TUBES ARE PERPENDICULAR TO EACH OTHER WITH ±1 DEG.
 - FINE WELDING IS REQUIRED AS PER MENTIONED DETAILS AND FINISHING.
 - HIGHER CURRENT WELDING MAY AFFECT THE BRITTLINESS OF MATERIAL WHICH LATER MAY RAISE TO WEAKENING OF STRUCTURE.
 - APPROX. WEIGHT FOR THE DRAWN STRUCTUTRE IS 60KG.
 - FABRICATORS ARE ALLOWED TO USE FITTINGS/FRAMES/SUPPORTS AS NEEDED AND THE SAME MUST BE COMMUNICATED BACK TO ENGINEERING TEAM.
 - LENGTH OF ALL LONGITUDINAL FRAMES ARE FOR REFERENCE ONLY AND SUBJECTED TO CHANGE PER REQUIREMENT.




ISOMETRIC VIEW 2



ISOMETRIC VIEW 1

| ITEM NO. | PART NUMBER | DESCRIPTION | QTY. | Wt (gram) /Each |
|----------|-----------------------|---------------------------|-------------|-----------------|
| 9 | Rect Tube 124 Frame 3 | 25 X 50 X 2 X AS REQUIRED | AS REQUIRED | |
| 8 | Rect Tube 124 Frame 2 | 25 X 50 X 2 X 660 | AS REQUIRED | 1.5 |
| 7 | Sq Tube 124 Frame 6 | 25 X 25 X 1.6 X 928 | AS REQUIRED | 1.1 |
| 6 | Sq Tube 124 Frame 5 | 40 X 40 X 3.2 X 609.6 | 1 | 1.9 |
| 5 | Sq Tube 124 Frame 4 | 40 X 40 X 3.2 X 1068 | AS REQUIRED | 4 |
| 4 | Rect Tube 124 Frame 1 | 25 X 50 X 2 X 3760.2 | 1 | 8.5 |
| 3 | Sq Tube 124 Frame 3 | 25 X 25 X 1.6 X 897.3 | 30 | 1.05 |
| 2 | Sq Tube 124 Frame 2 | 40 X 40 X 3.2 X 1197 | 3 | 4.06 |
| 1 | Sq Tube 124 Frame 1 | 40 X 40 X 3.2 X 1067 | 4 | 4 |

This drawing is our property. It can't be reproduced or communicated without our written agreement.

APL APOLLO TUBES LTD. 

DRAWING TITLE: **PAGE 124**

SIZE: **A0** DRAWING NUMBER: **P2P HAND RAIL_06** REV: **00**

SCALE: **As Indicated** WEIGHT (kg): **0kg** SHEET **1** OF **5**

UNLESS OTHERWISE SPECIFIED DIMENSION ARE IN MM VIEWS: THIRD ANGLE PROJECTION

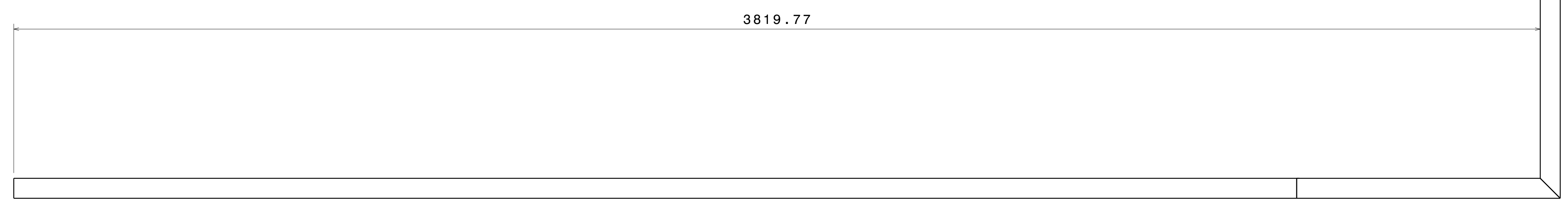
DRAWN BY: **SB** DATE: **14MAR2020**

CHECKED BY: **P2P Analysis & Solutions** DATE: **14MAR2020**

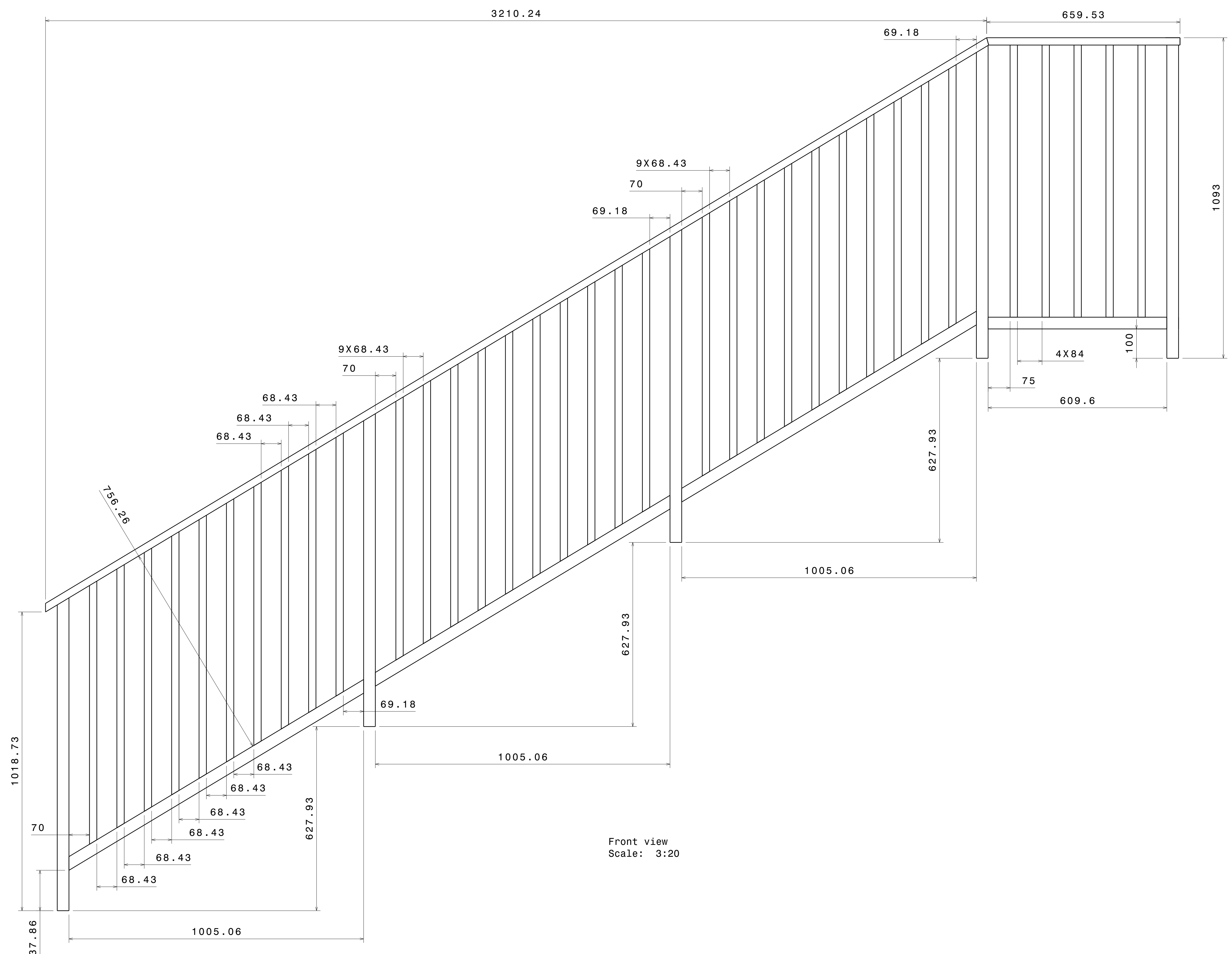
DESIGNED BY: **P2P Analysis & Solutions** DATE: **14MAR2020**

| REV | DATE | DESCRIPTION |
|-----|-----------|------------------|
| 00 | 14MAR2020 | INITIAL REVISION |

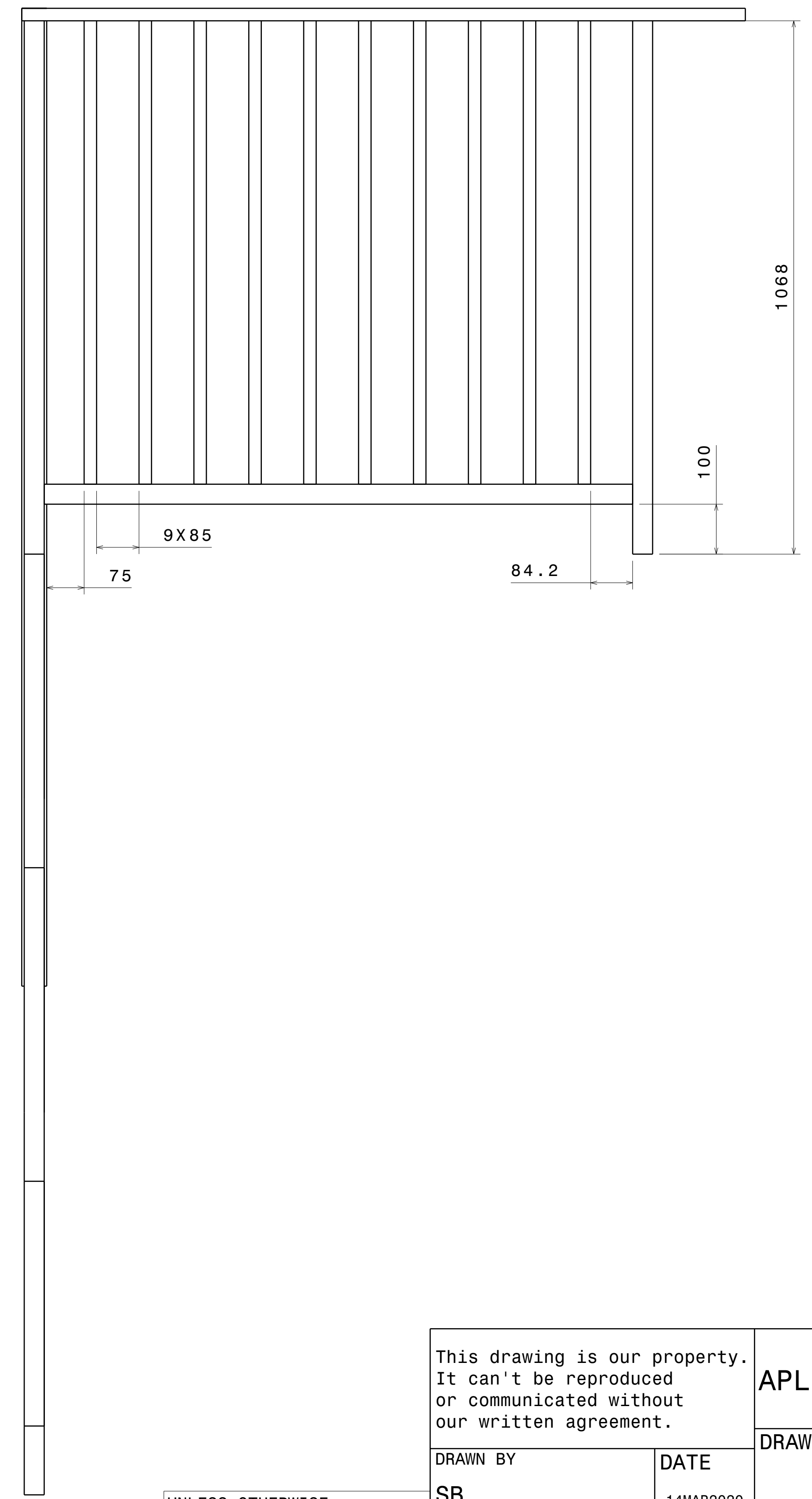
LENGTH AS REQUIRED



Top view
Scale: 3:20



Front view
Scale: 3:20



This drawing is our property. It can't be reproduced or communicated without our written agreement.

APL APOLLO TUBES LTD. 

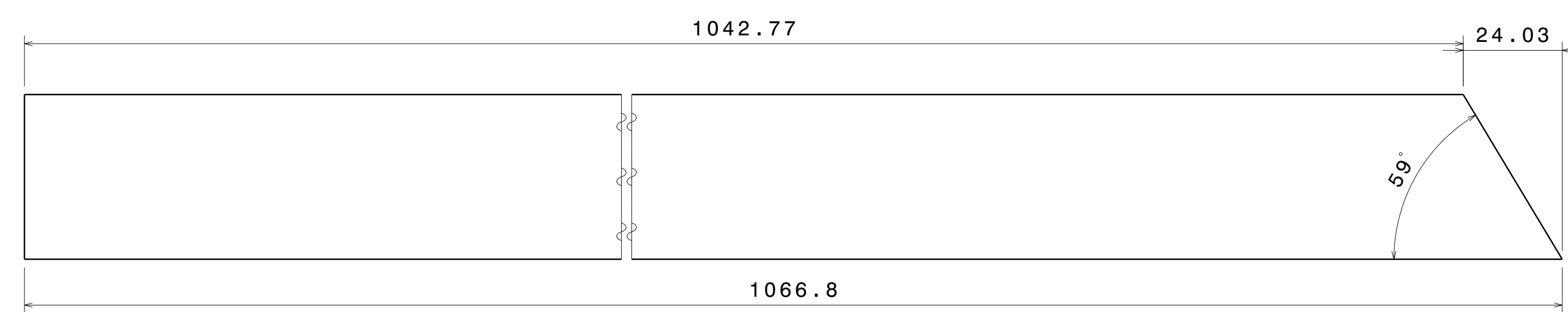
DRAWING TITLE
PAGE 124

UNLESS OTHERWISE SPECIFIED DIMENSION ARE IN MM
THIRD ANGLE PROJECTION

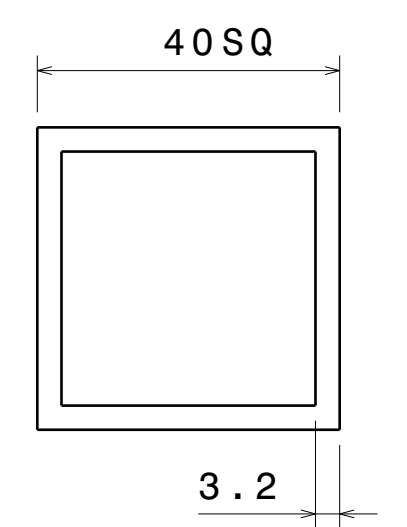
| | |
|--------------------------|-----------|
| DRAWN BY | DATE |
| SB | 14MAR2020 |
| CHECKED BY | DATE |
| P2P Analysis & Solutions | 14MAR2020 |
| DESIGNED BY | DATE |
| P2P Analysis & Solutions | 14MAR2020 |

| | | |
|-------|------------------|-----|
| SIZE | DRAWING NUMBER | REV |
| A0 | P2P HAND RAIL_06 | 00 |
| SCALE | WEIGHT (kg) | XXX |
| NONE | | |

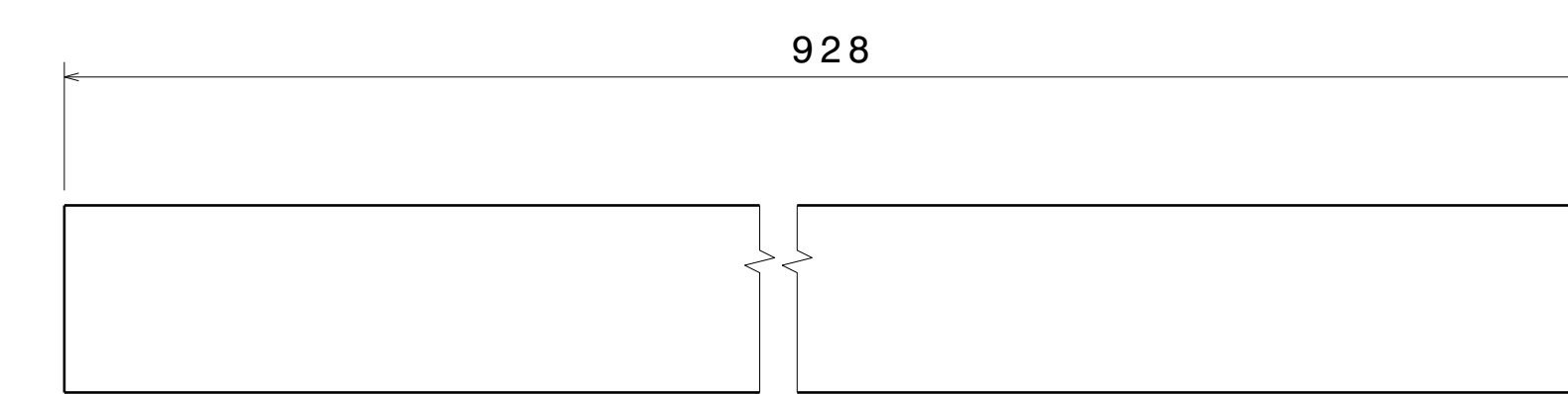
| REV | DATE | DESCRIPTION |
|-----|-----------|------------------|
| 00 | 14MAR2020 | INITIAL REVISION |



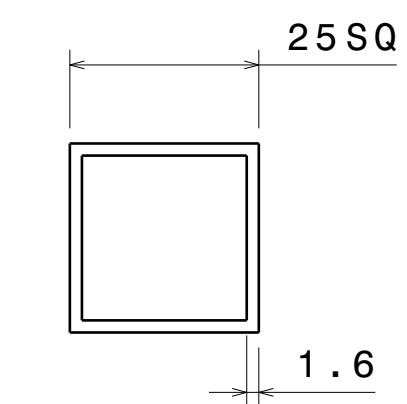
ITEM 1



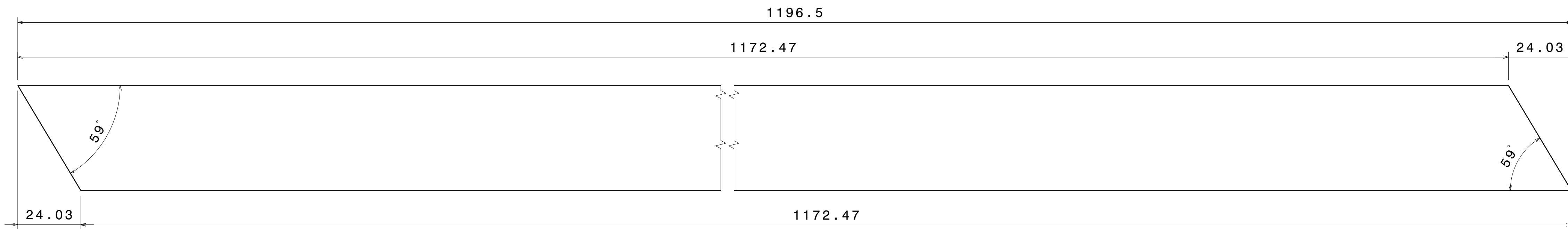
Right view[2]
Scale: 1:1



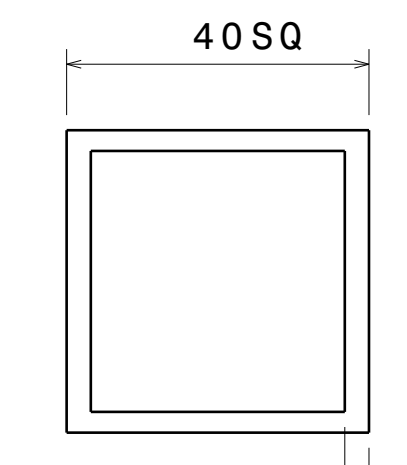
ITEM 7



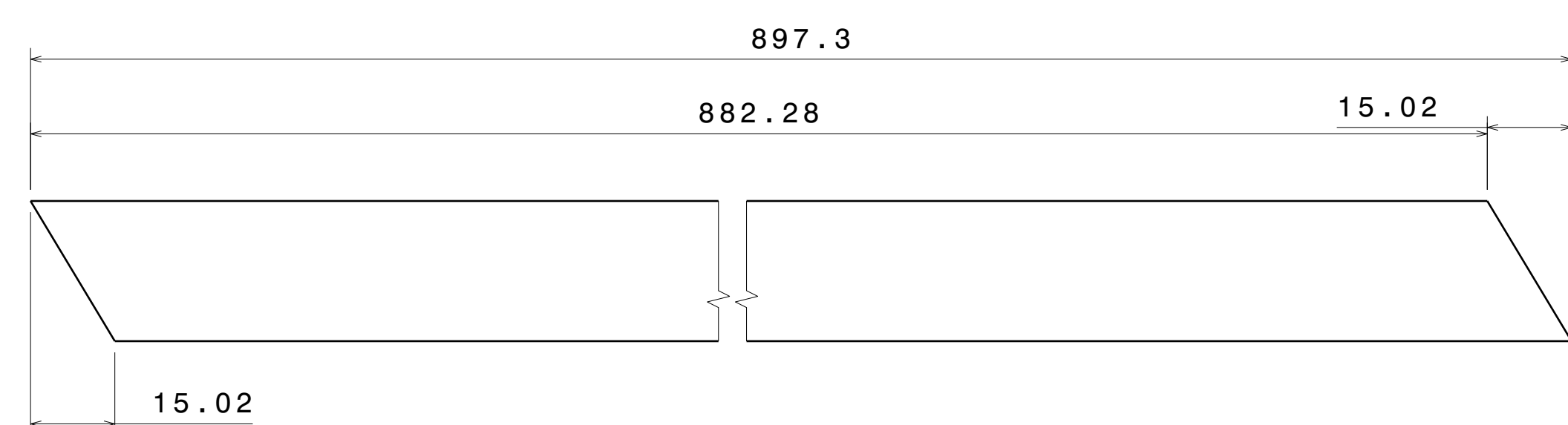
Right view[8]
Scale: 1:1



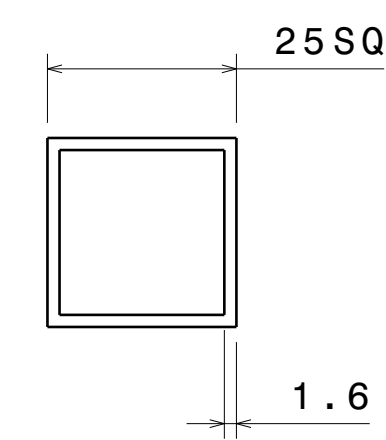
ITEM 2



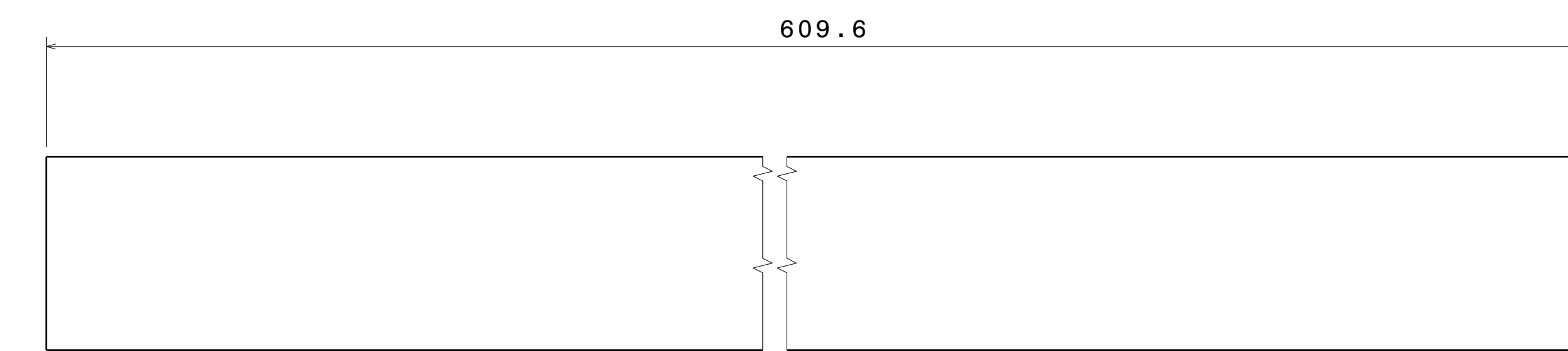
Right view[3]
Scale: 1:1



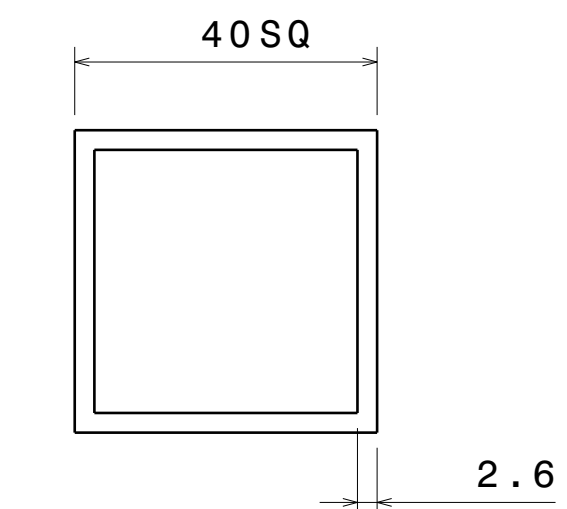
ITEM 3



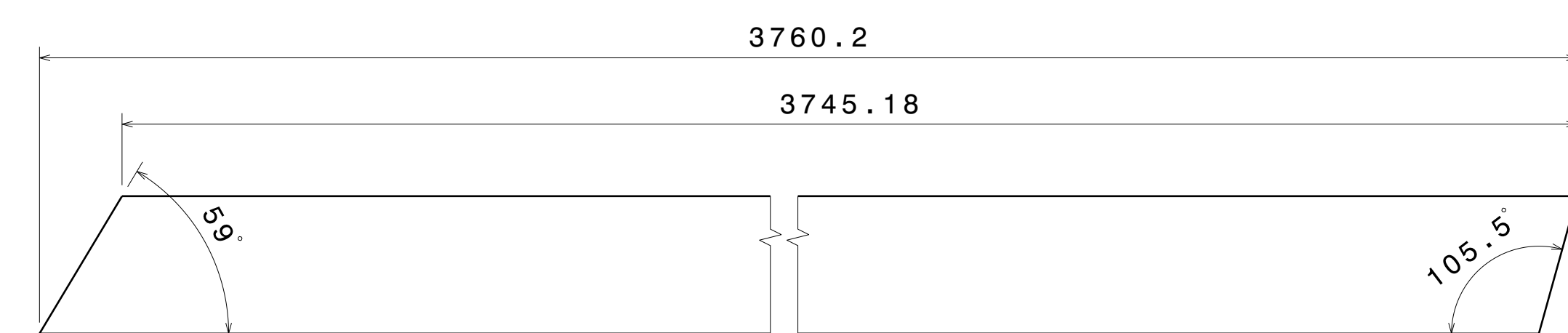
Right view[4]
Scale: 1:1



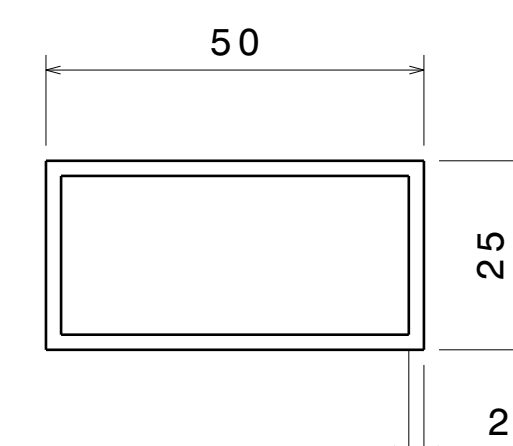
ITEM 6



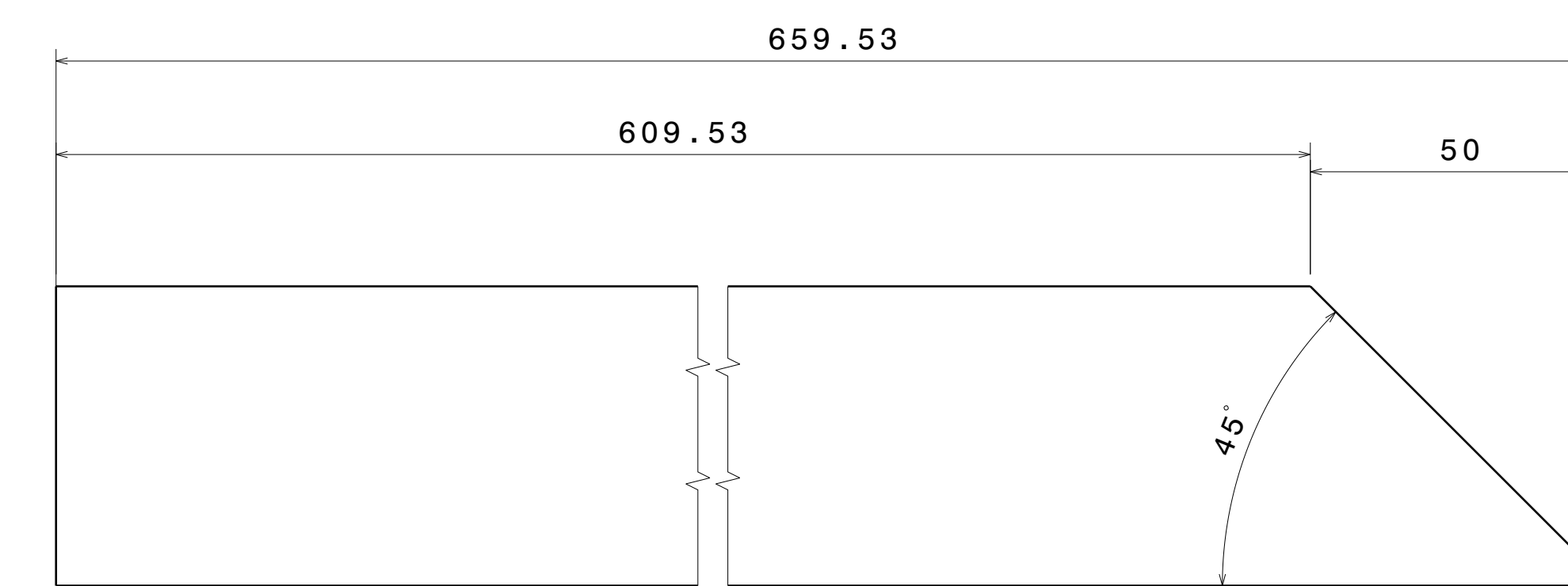
Right view[7]
Scale: 1:1



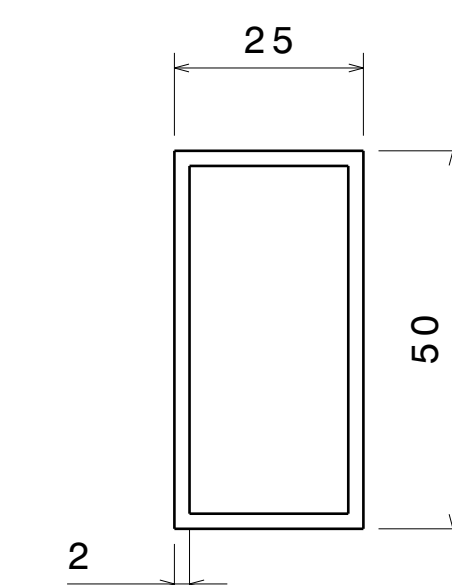
ITEM 4



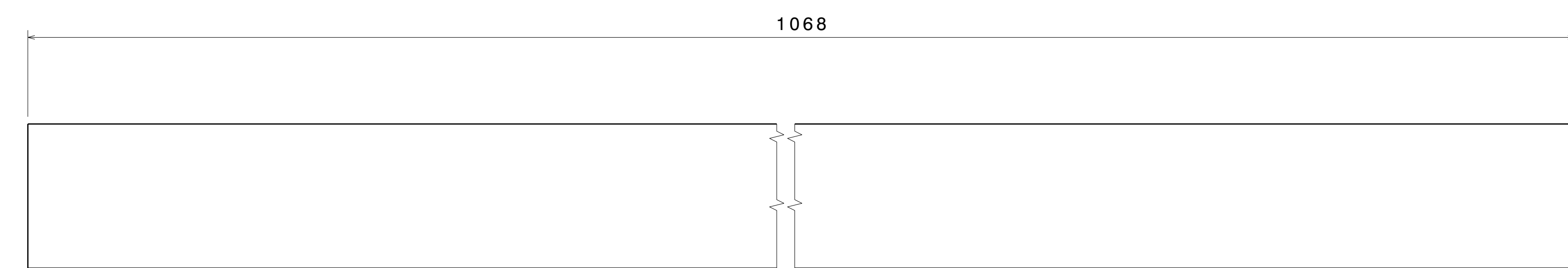
Right view[5]
Scale: 1:1



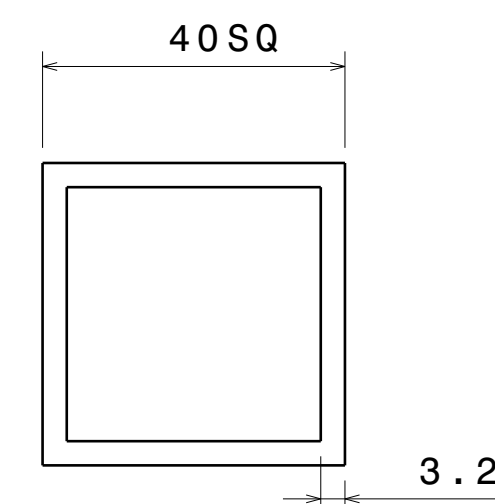
ITEM 8



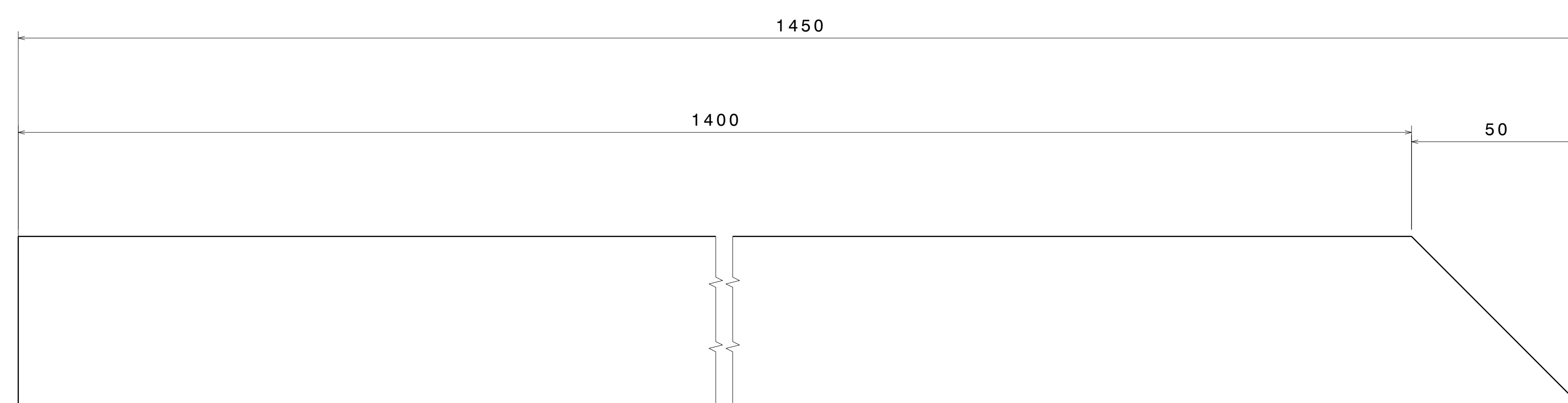
Right view[9]
Scale: 1:1



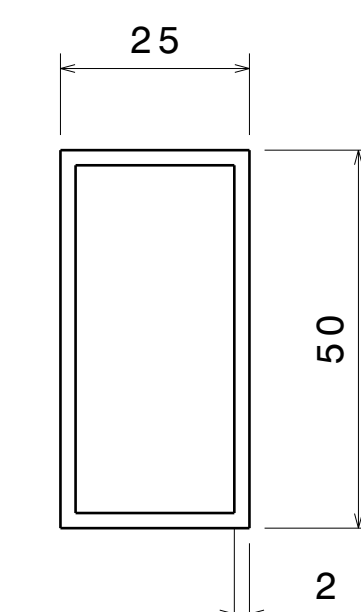
ITEM 5



Right view[6]
Scale: 1:1

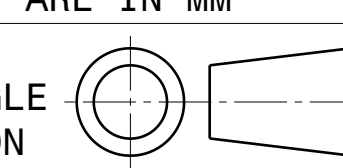


ITEM 9



Right view[10]
Scale: 1:1

UNLESS OTHERWISE SPECIFIED DIMENSION ARE IN MM
VIEWS: THIRD ANGLE PROJECTION



This drawing is our property. It can't be reproduced or communicated without our written agreement.

| | |
|--------------------------|-----------|
| DRAWN BY | DATE |
| SB | 14MAR2020 |
| CHECKED BY | DATE |
| P2P Analysis & Solutions | 14MAR2020 |
| DESIGNED BY | DATE |
| P2P Analysis & Solutions | 14MAR2020 |

APL APOLLO TUBES LTD.

| | | | |
|---------------|------------------|-------------|--------------|
| DRAWING TITLE | | PAGE 124 | |
| SIZE | DRAWING NUMBER | REV | |
| A0 | P2P HAND RAIL_06 | 00 | |
| SCALE | NONE | WEIGHT (kg) | XXX |
| | | | SHEET 3 OF 5 |