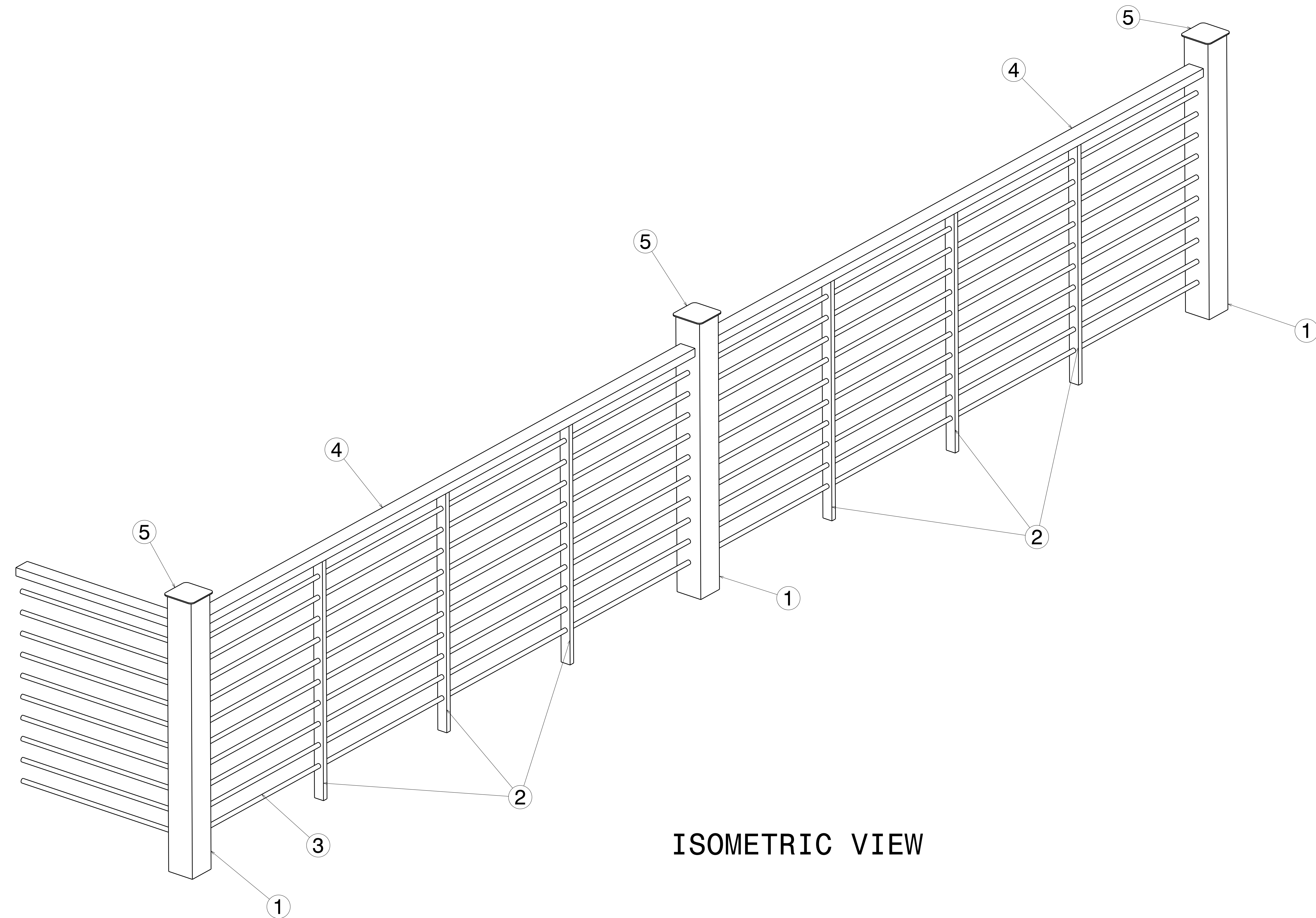


REV	DATE	DESCRIPTION
00	13MAR2020	INITIAL REVISION

- NOTES:
- (⊥) ALL VERTICAL SUPPORTS ARE PERPENDICULAR.
 - FLATNESS OF .5MM IS APPLIED BY DEFAULT.
 - ⊲ WELD BEAD OF 2MM RADIUS IS FOLLOWED.
 - ▽ SURFACE FINISH MEDIUM TO SMOOTH IS USED.
 - ALL TUBES ARE AS PER APL APOLLO STANDARD. CHANGES MAY EFFECT THE LOAD CAPACITY.
 - ALL HORIZONTAL AND VERTICAL TUBES ARE PERPENDICULAR TO EACH OTHER WITH ±1 DEG.
 - FINE WELDING IS REQUIRED AS PER MENTIONED DETAILS AND FINISHING.
 - HIGHER CURRENT WELDING MAY AFFECT THE BRITTLENESS OF MATERIAL WHICH LATER MAY RAISE TO WEAKENING OF STRUCTURE.
 - APPROX. WEIGHT FOR THE DRAWN STRUCTUTRE IS 60KG.
 - FABRICATORS ARE ALLOWED TO USE FITTINGS/FRAMES/SUPPORTS AS NEEDED AND THE SAME MUST BE COMMUNICATED BACK TO ENGINEERING TEAM.
 - LENGTH OF ALL LONGITUDINAL FRAMES ARE FOR REFERENCE ONLY AND SUBJECTED TO CHANGE PER REQUIREMENT.



ISOMETRIC VIEW

ITEM NO.	PART NUMBER	DESCRIPTION	QTY.	Wt (Kg/Each)
5	BOP - Plate 1	160 X 160 X 5	AS REQUIRED	1
4	Rect Tube 128 Frame 2	80 X 40 X 2.6 X 3458.6	AS REQUIRED	16.25
3	Round Tube 128 Frame 1	DIA 21 X 2 X 845.9	AS REQUIRED	0.8
2	Rect Tube 128 Frame 1	25 X 50 X 2.6 X 1181.8	AS REQUIRED	3.4
1	Sq Tube 128 Frame 1	132 X 132 X 4.8 X 1339.2	AS REQUIRED	26

This drawing is our property. It can't be reproduced or communicated without our written agreement.

APL APOLLO TUBES LTD.

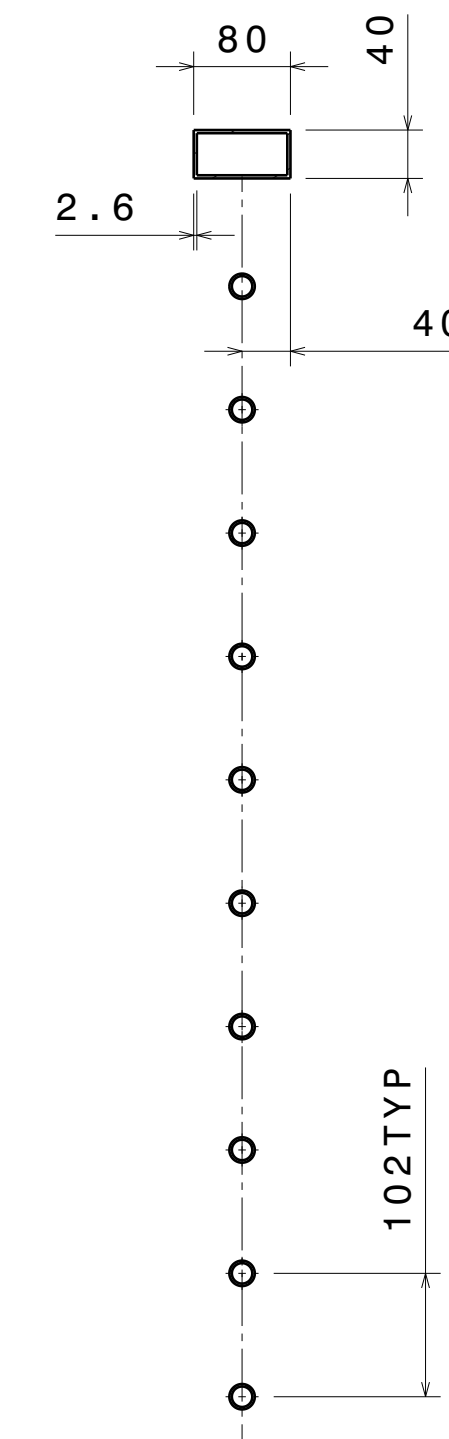
DRAWING TITLE: **PAGE - 128**

DRAWN BY: SB	DATE: 13MAR2020	CHECKED BY: P2P Analysis & Solutions	DATE: 13MAR2020	DESIGNED BY: P2P Analysis & Solutions	DATE: 13MAR2020
--------------	-----------------	--------------------------------------	-----------------	---------------------------------------	-----------------

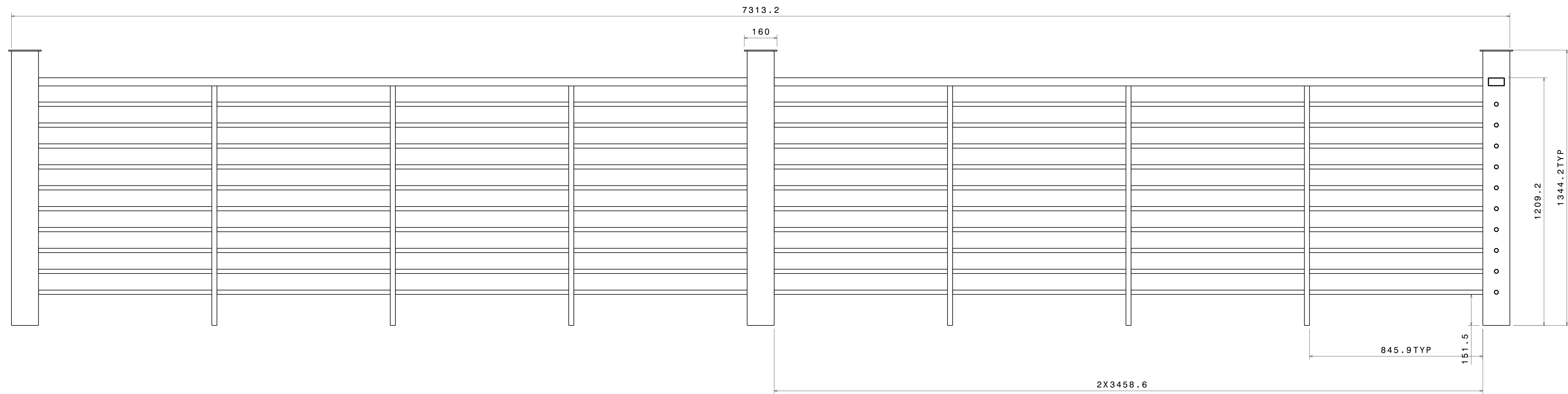
SIZE: A0	DRAWING NUMBER: P2P HAND RAIL_02	REV: 00
SCALE: As Indicated	WEIGHT (kg): 0kg	SHEET 1 OF 5

UNLESS OTHERWISE SPECIFIED DIMENSION ARE IN MM
 VIEWS: THIRD ANGLE PROJECTION

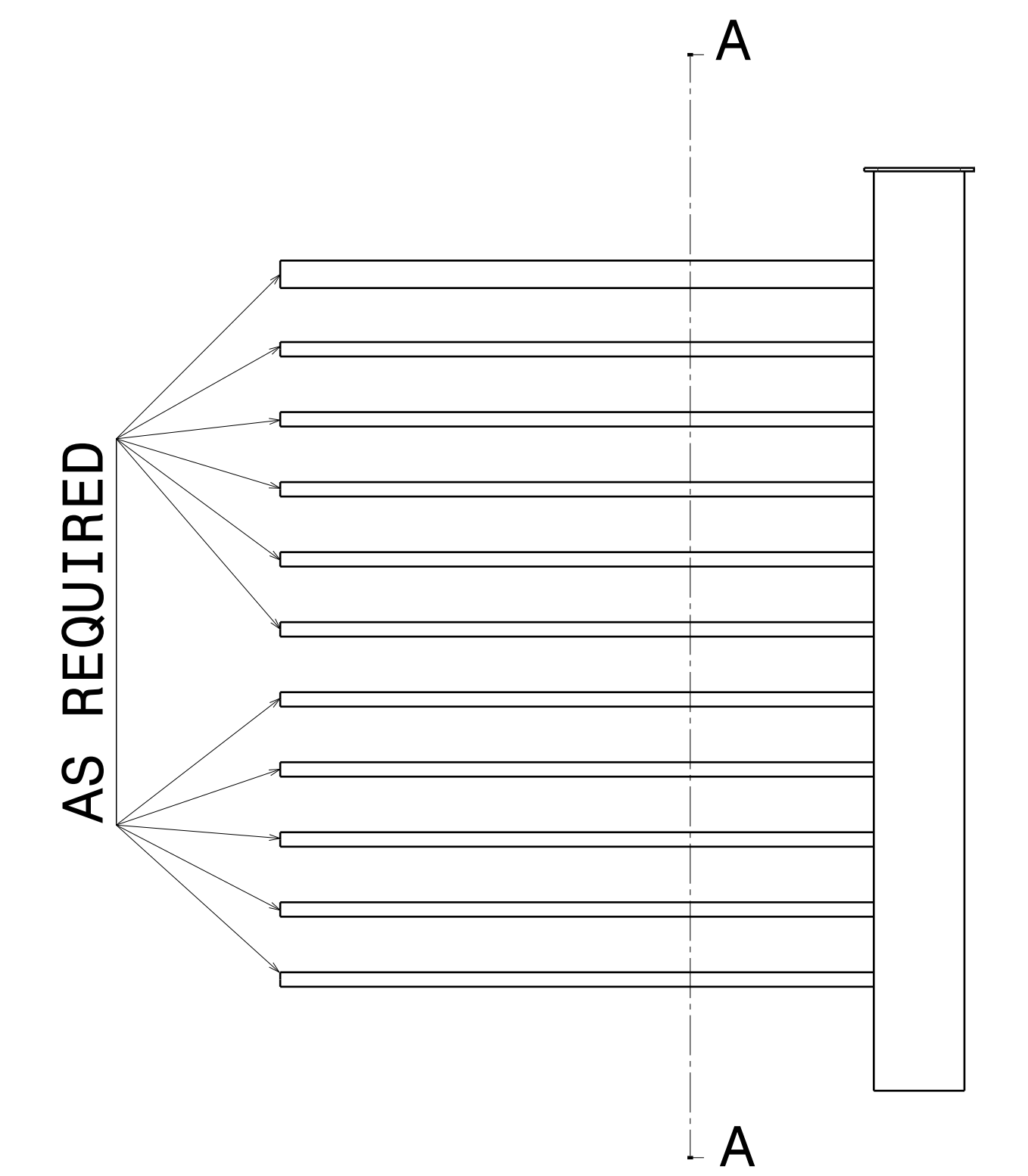
REV	DATE	DESCRIPTION
00	13MAR2020	INITIAL REVISION



Section view A-A
Scale: 4:25



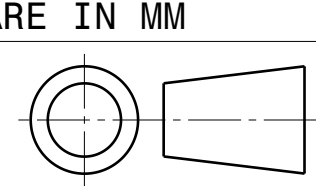
Front view
Scale: 3:25



Right view
Scale: 3:25

This drawing is our property.
It can't be reproduced
or communicated without
our written agreement.

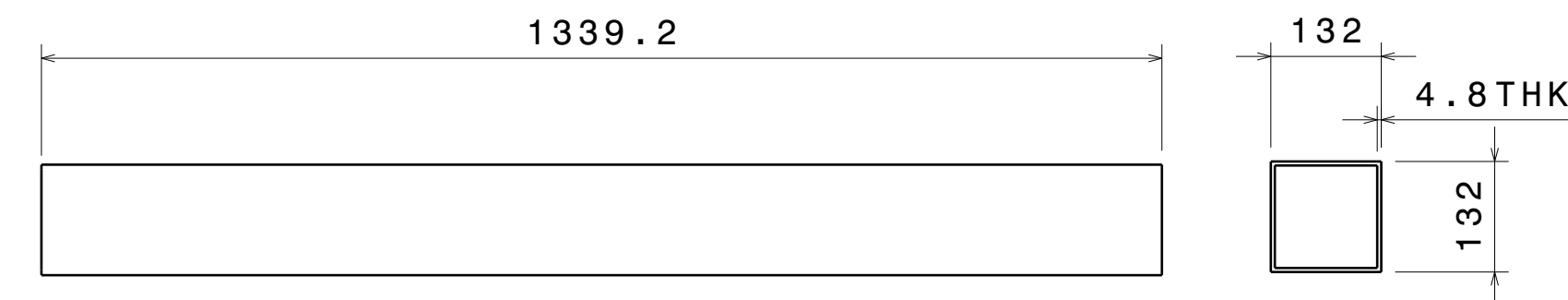
APL APOLLO TUBES LTD. 

UNLESS OTHERWISE
SPECIFIED
DIMENSION ARE IN MM
VIEWS:
THIRD ANGLE
PROJECTION 

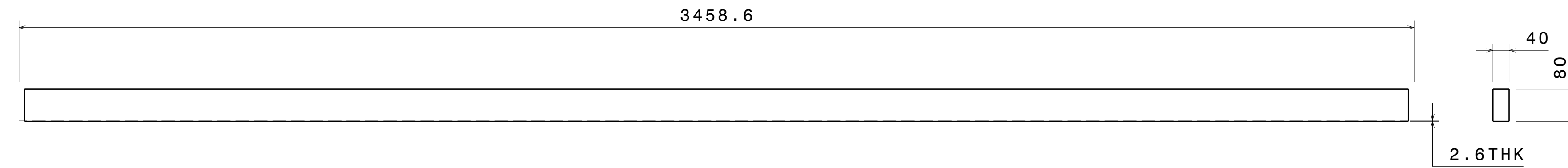
DRAWN BY	DATE
SB	13MAR2020
CHECKED BY	DATE
P2P Analysis & Solutions	13MAR2020
DESIGNED BY	DATE
P2P Analysis & Solutions	13MAR2020

DRAWING TITLE			
PAGE -128			
SIZE	DRAWING NUMBER	REV	
A0	P2P HAND RAIL_02	00	
SCALE	NONE	WEIGHT (kg)	XXX
			SHEET 2 OF 5

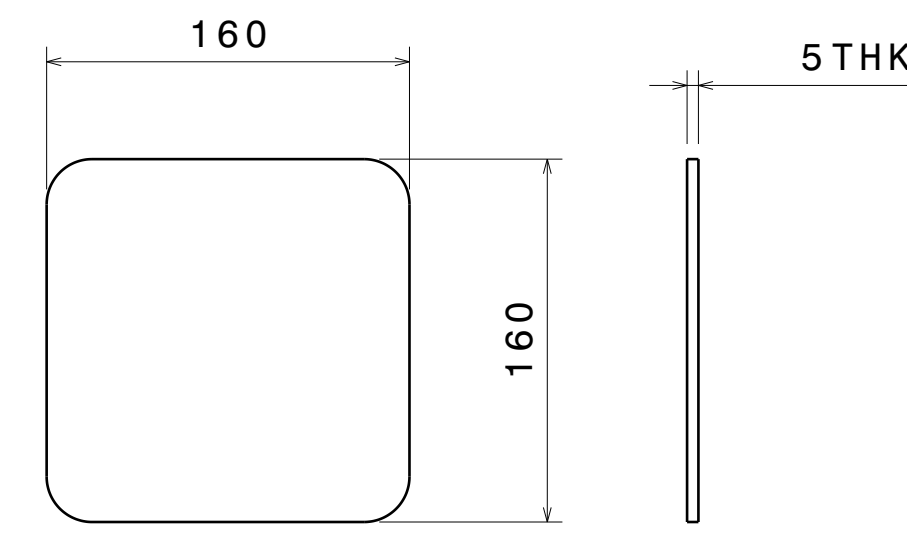
REV	DATE	DESCRIPTION
00	13MAR2020	INITIAL REVISION



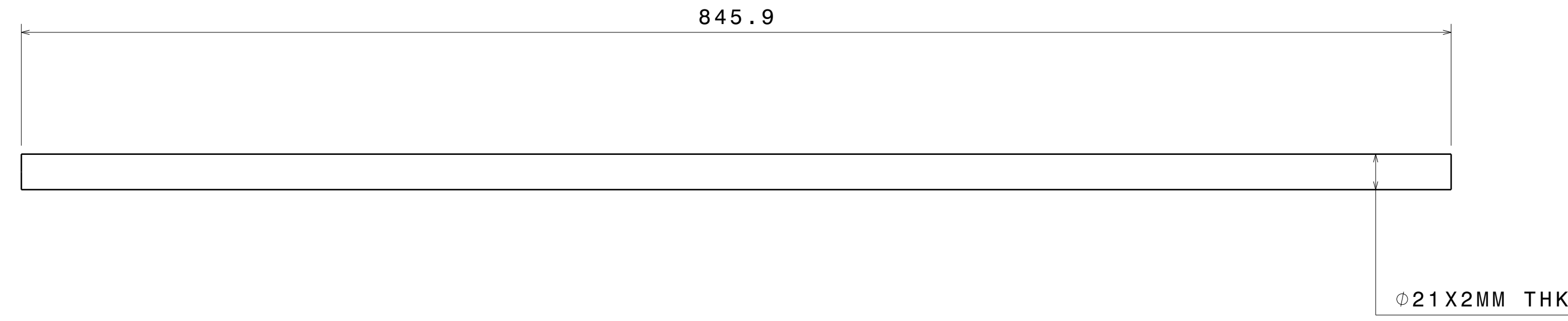
ITEM 1



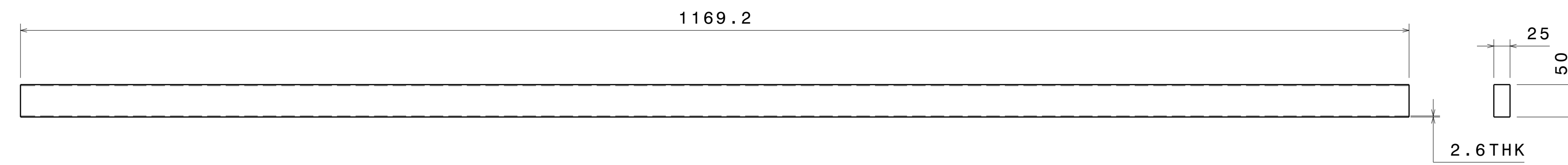
ITEM 4



ITEM 5

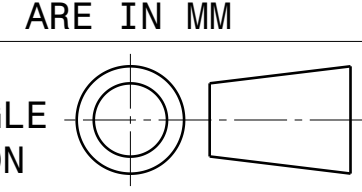



ITEM 3



ITEM 2

UNLESS OTHERWISE SPECIFIED DIMENSION ARE IN MM
VIEWS: THIRD ANGLE PROJECTION



This drawing is our property. It can't be reproduced or communicated without our written agreement.		APL APOLLO TUBES LTD. 	
DRAWN BY SB		DATE 13MAR2020	
CHECKED BY P2P Analysis & Solutions		DATE 13MAR2020	
DESIGNED BY P2P Analysis & Solutions		DATE 13MAR2020	
DRAWING TITLE PAGE - 128		SIZE A0	DRAWING NUMBER P2P_HAND RAIL_02
SCALE NONE		WEIGHT (kg) XXX	REV 00
		SHEET 3 OF 5	