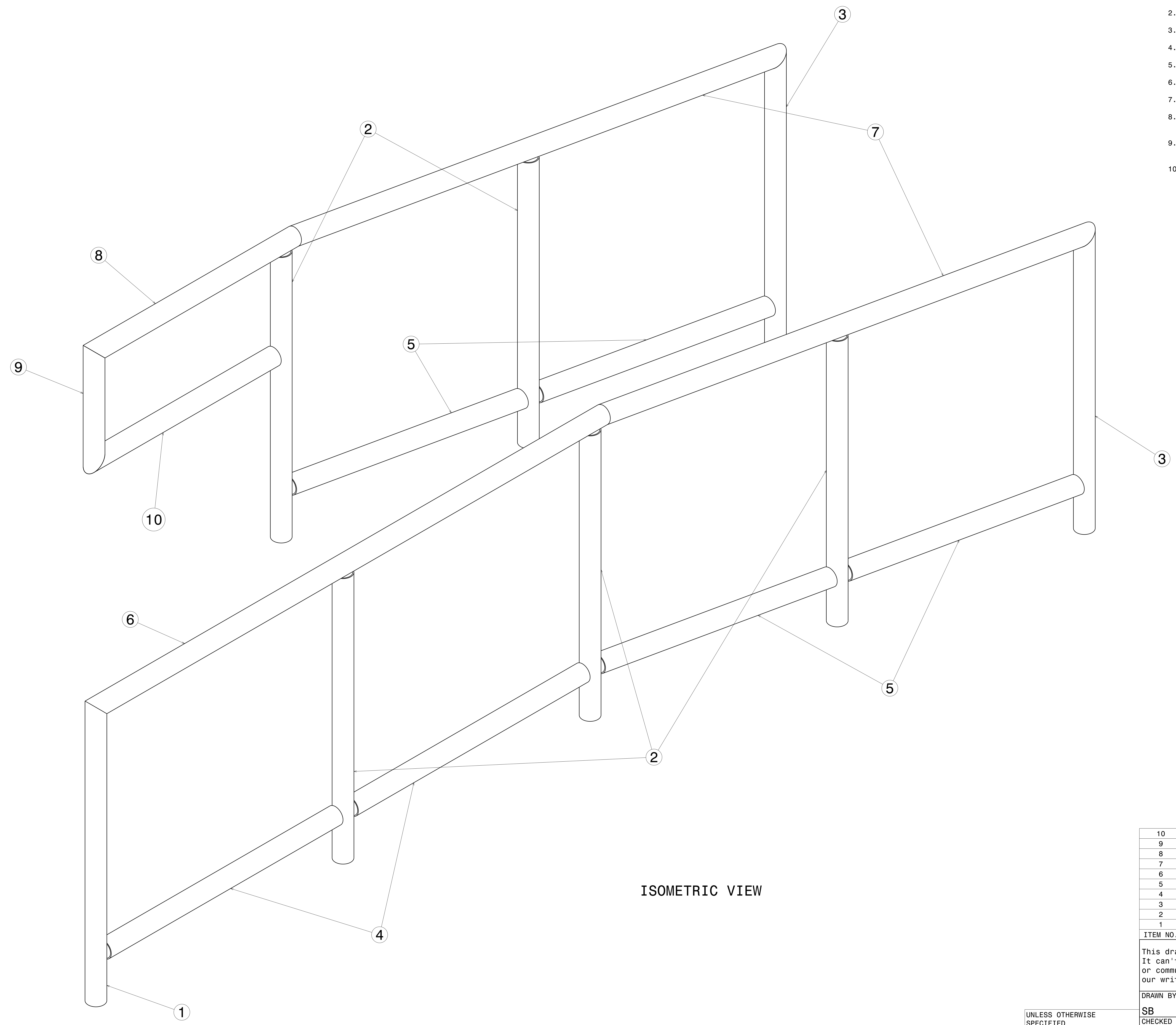


REV/DATE	DESCRIPTION
00 30MAR2020	INITIAL REVISION

- NOTES:
- (⊥) ALL VERTICAL SUPPORTS ARE PERPENDICULAR.
 - FLATNESS OF .5MM IS APPLIED BY DEFAULT.
 - ⊥ WELD BEAD OF 2MM RADIUS IS FOLLOWED.
 - ▽ SURFACE FINISH MEDIUM TO SMOOTH IS USED.
 - ALL TUBES ARE AS PER APL APOLLO STANDARD. CHANGES MAY EFFECT THE LOAD CAPACITY.
 - ALL HORIZONTAL AND VERTICAL TUBES ARE PERPENDICULAR TO EACH OTHER WITH ±1 DEG.
 - FINE WELDING IS REQUIRED AS PER MENTIONED DETAILS AND FINISHING.
 - HIGHER CURRENT WELDING MAY AFFECT THE BRITTLENESS OF MATERIAL WHICH LATER MAY RAISE TO WEAKENING OF STRUCTURE.
 - FABRICATORS ARE ALLOWED TO USE FITTINGS/FRAMES/SUPPORTS AS NEEDED AND THE SAME MUST BE COMMUNICATED BACK TO ENGINEERING TEAM.
 - LENGTH OF ALL LONGITUDINAL FRAMES ARE FOR REFERENCE ONLY AND SUBJECTED TO CHANGE PER REQUIREMENT.



ISOMETRIC VIEW

ITEM NO.	PART NUMBER	DESCRIPTION	QTY.	Wt (Kg)/Each
10	ROUND TUBE 130-10	DIA 76.1 X 4.05 THK X 924	1	6.4
9	ROUND TUBE 130-9	DIA 76.1 X 4.05 THK X 538	1	3.5
8	ROUND TUBE 130-8	DIA 76.1 X 4.05 THK X 1027	1	6.6
7	ROUND TUBE 130-7	DIA 76.1 X 4.05 THK X 2450	2	18
6	ROUND TUBE 130-6	DIA 76.1 X 4.05 THK X 2536	1	18
5	ROUND TUBE 130-5	DIA 76.1 X 4.05 THK X 1143	4	8.4
4	ROUND TUBE 130-4	DIA 76.1 X 4.05 THK X 1143	2	8.5
3	ROUND TUBE 130-3	DIA 76.1 X 4.05 THK X 1291	2	8.9
2	ROUND TUBE 130-2	DIA 76.1 X 4.05 THK X 1219.2	4	8.9
1	ROUND TUBE 130-1	DIA 76.1 X 4.05 THK X 1291	1	9.02

This drawing is our property. It can't be reproduced or communicated without our written agreement.

APL APOLLO TUBES LTD.

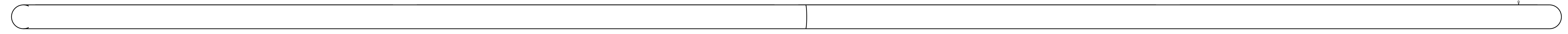
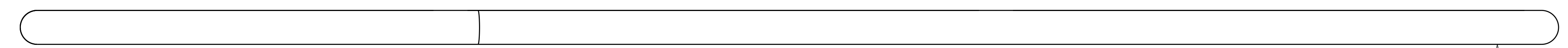
DRAWING TITLE: **PAGE 130**

DRAWN BY: SB	DATE: 30MAR2020	CHECKED BY: P2P Analysis & Solutions	DATE: 30MAR2020	DESIGNED BY: P2P Analysis & Solutions	DATE: 30MAR2020
--------------	-----------------	--------------------------------------	-----------------	---------------------------------------	-----------------

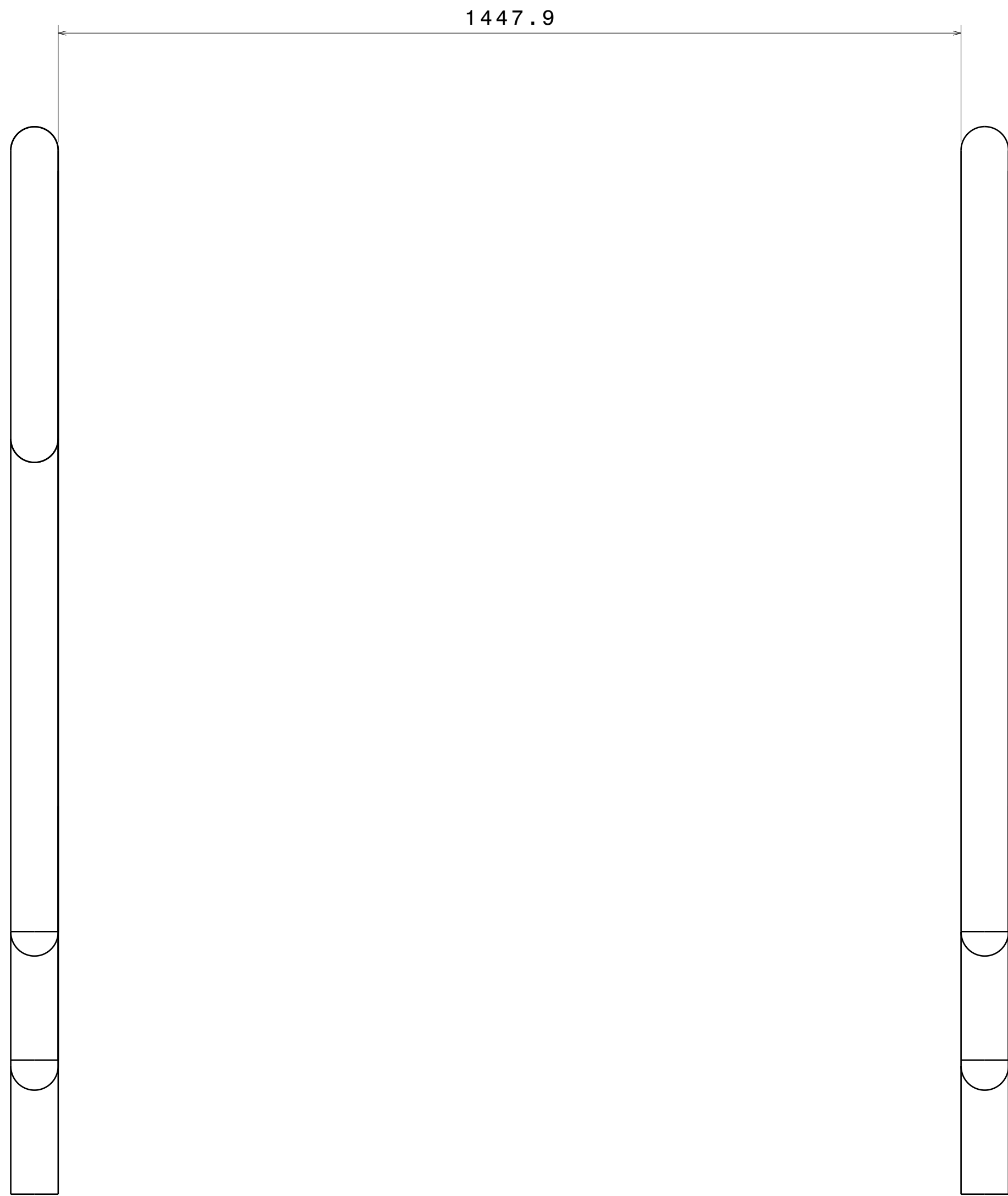
SIZE: A0	DRAWING NUMBER: P2P HANDRAIL 000130	REV: 00
SCALE: As Indicated	WEIGHT (kg): 0kg	SHEET 1 OF 5

UNLESS OTHERWISE SPECIFIED DIMENSION ARE IN MM
 VIEWS: THIRD ANGLE PROJECTION

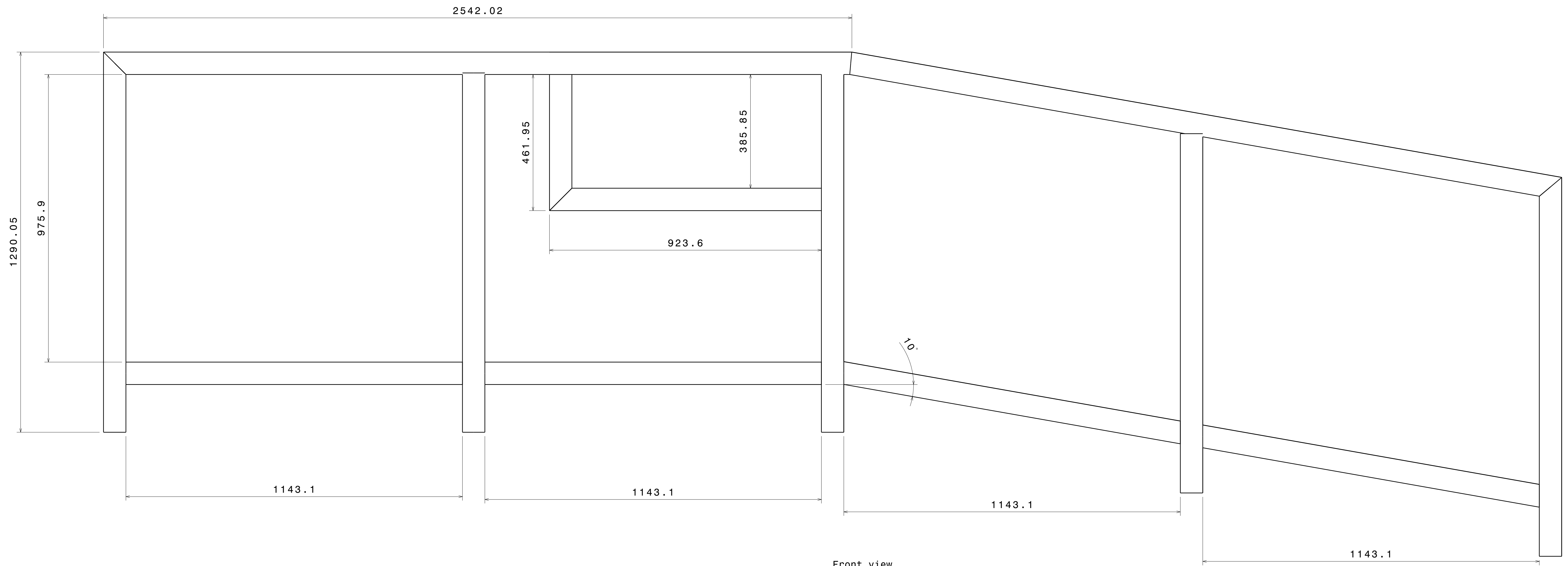
REV	DATE	DESCRIPTION
00	30MAR2020	INITIAL REVISION



Top view
Scale: 3:20



Left view
Scale: 3:20



Front view
Scale: 3:20

This drawing is our property. It can't be reproduced or communicated without our written agreement.

APL APOLLO TUBES LTD.

DRAWING TITLE

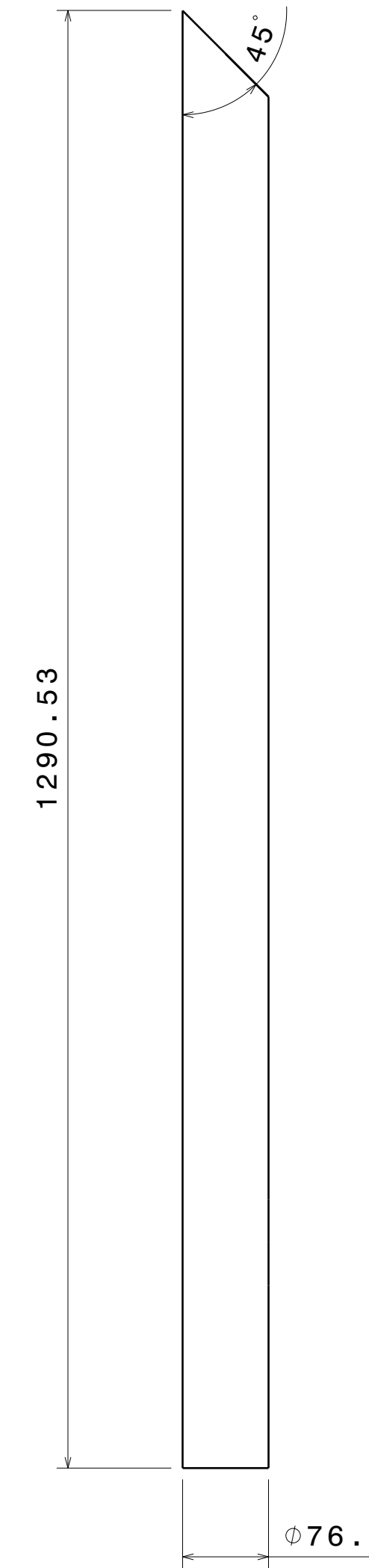
PAGE 130

DRAWN BY	DATE
SB	30MAR2020
CHECKED BY	DATE
P2P Analysis & Solutions	30MAR2020
DESIGNED BY	DATE
P2P Analysis & Solutions	30MAR2020

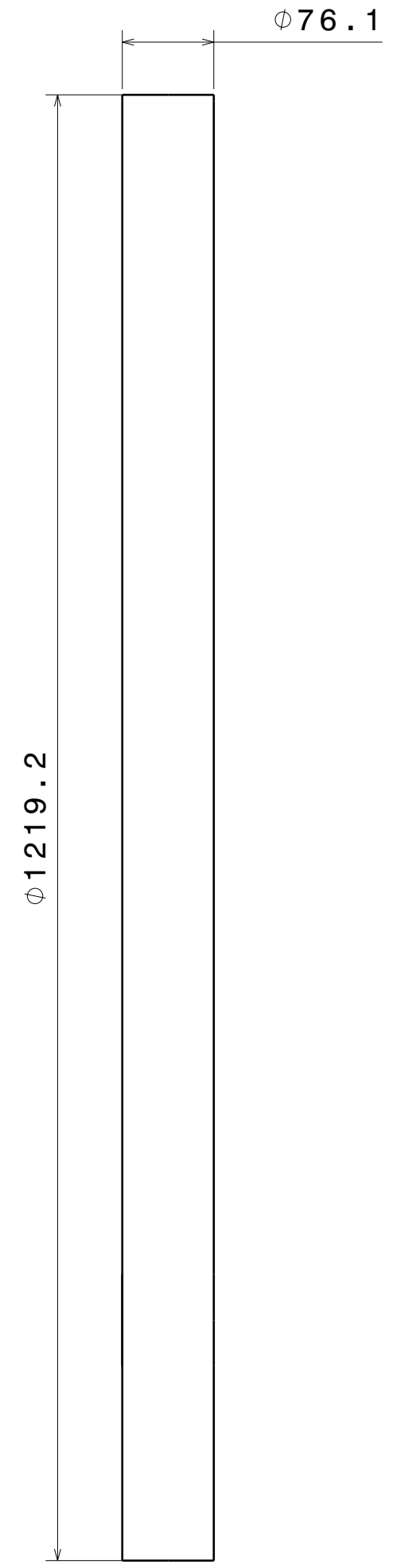
SIZE	DRAWING NUMBER	REV
A0	P2P HANDRAIL 000130	00
SCALE	NONE	WEIGHT (kg) XXX
		SHEET 2 OF 5

UNLESS OTHERWISE SPECIFIED DIMENSION ARE IN MM
VIEWS: THIRD ANGLE PROJECTION

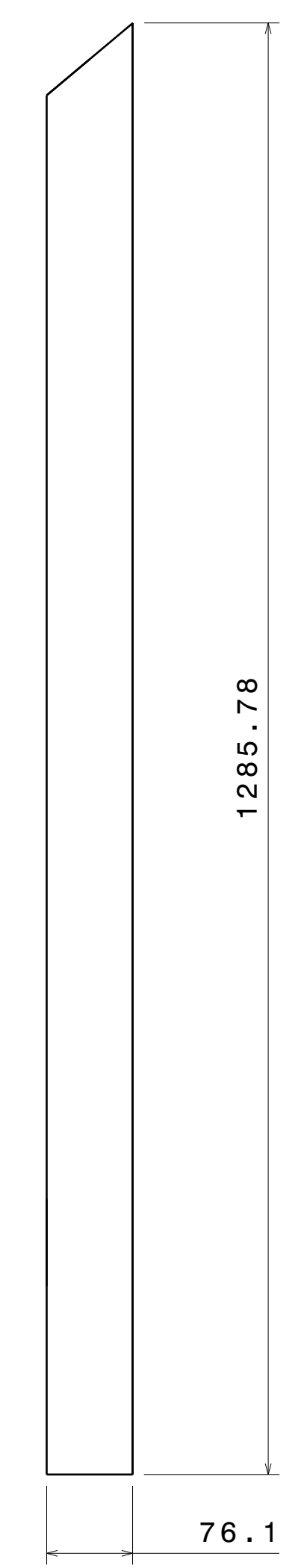
REV	DATE	DESCRIPTION
00	30MAR2020	INITIAL REVISION



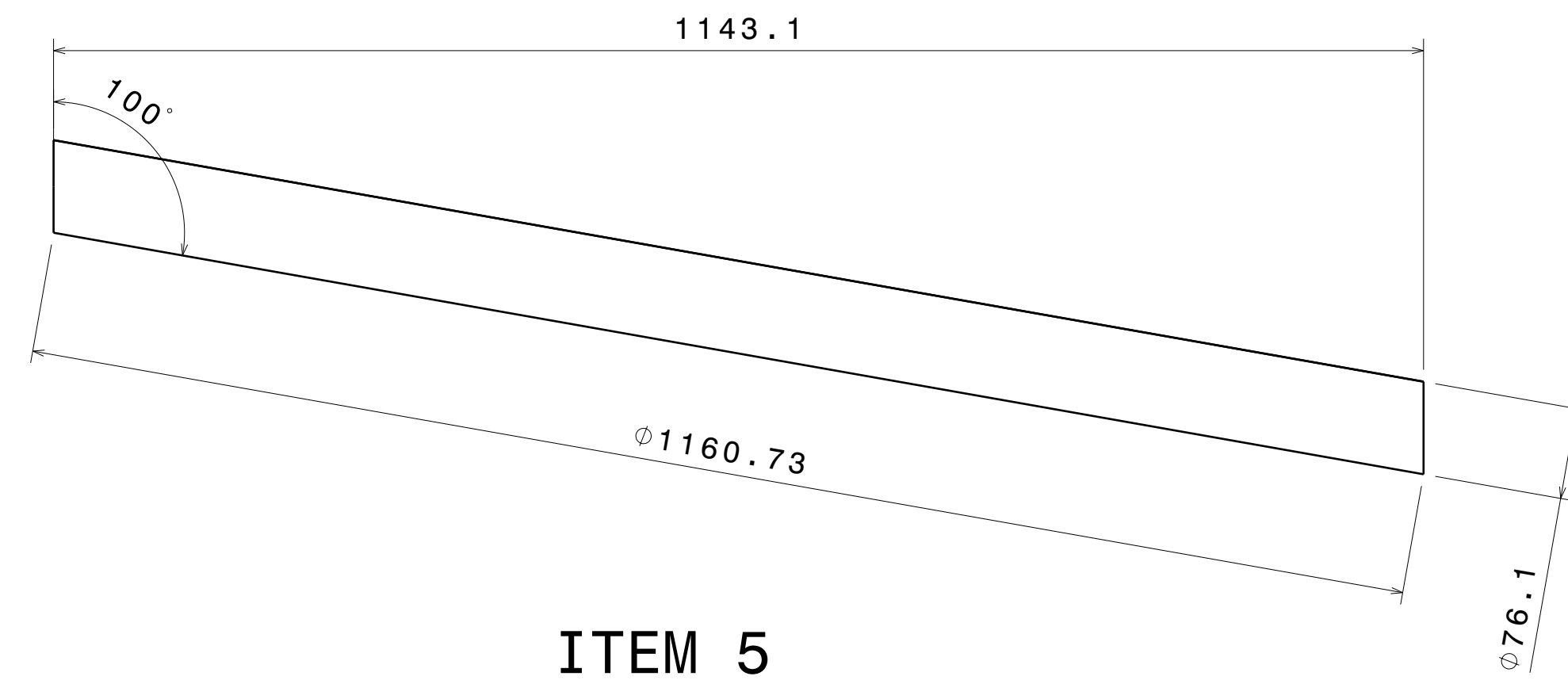
ITEM 1



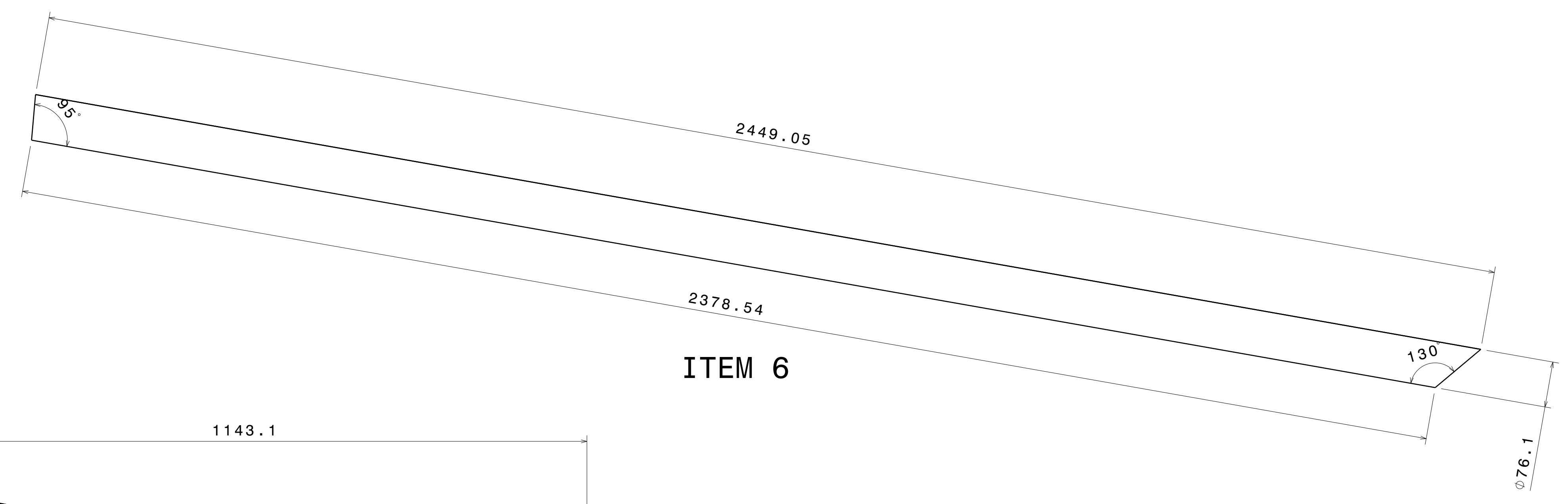
ITEM 2



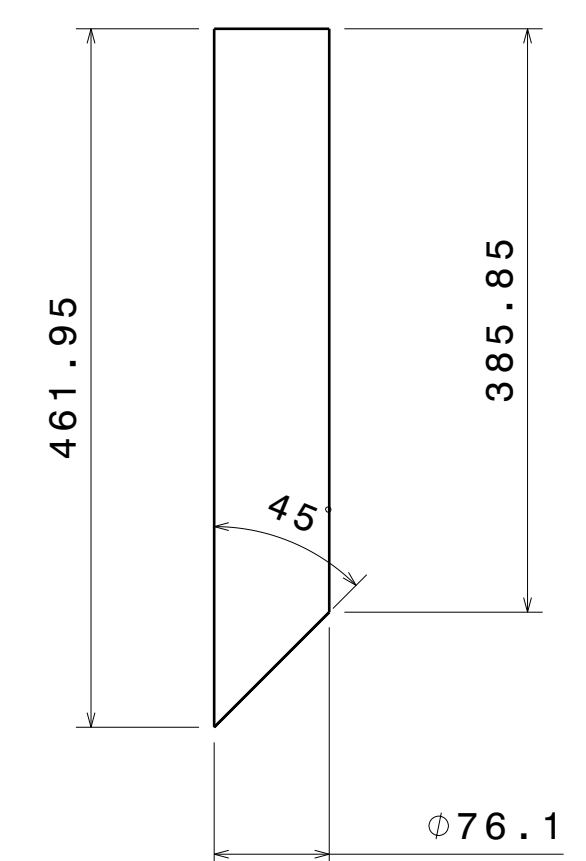
ITEM 3



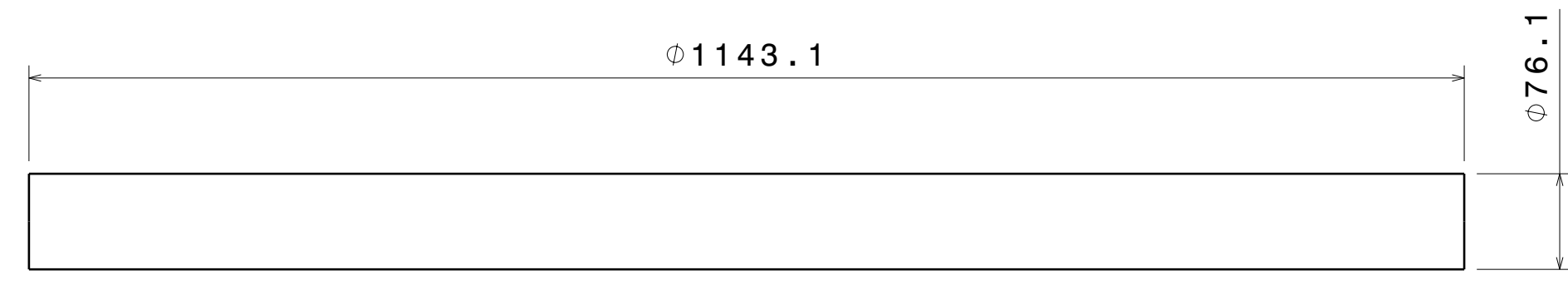
ITEM 5



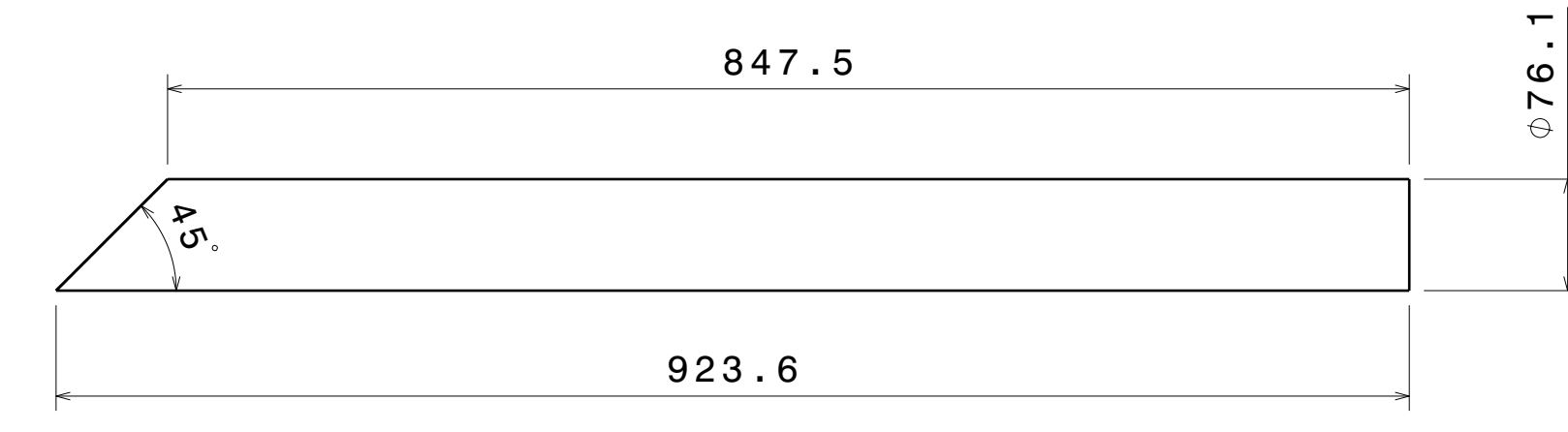
ITEM 6



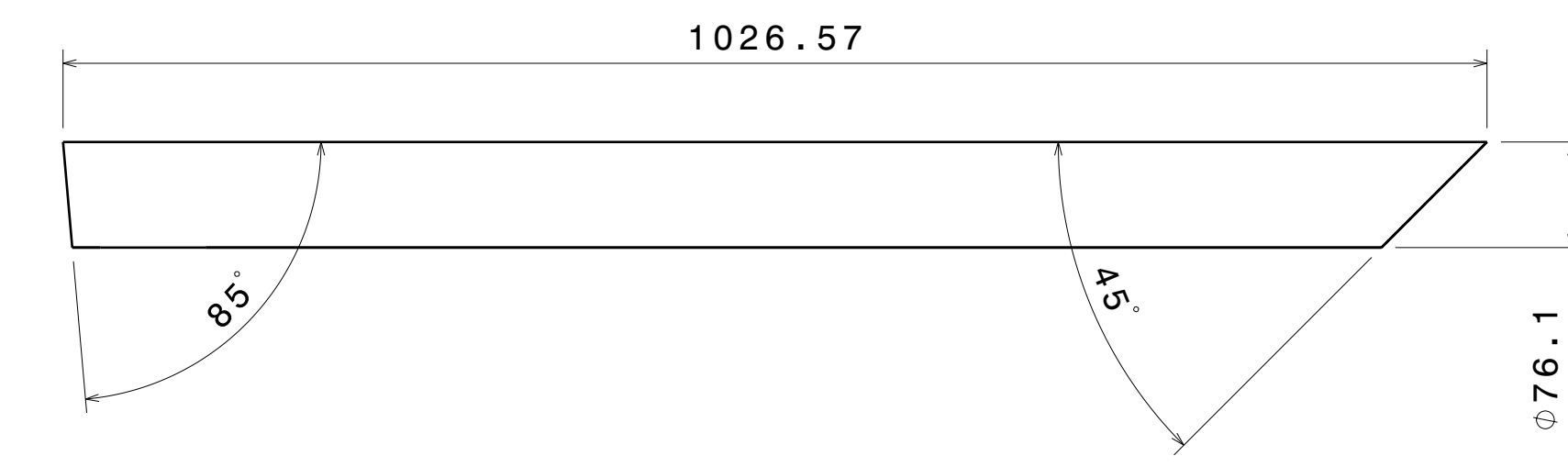
ITEM 9



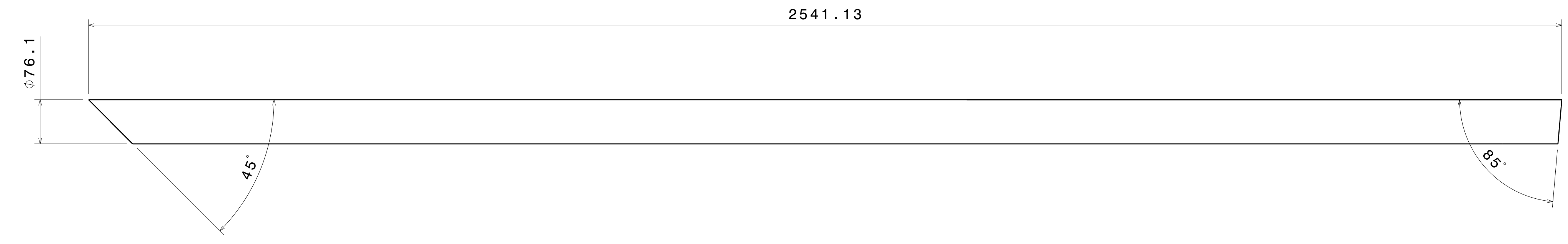
ITEM 4



ITEM 10



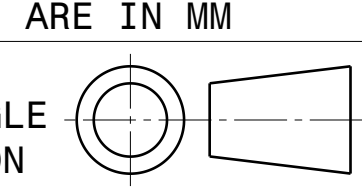
ITEM 8




ITEM 6

THICKNESS IS 4.05 FOR ALL COMPONENTS

UNLESS OTHERWISE SPECIFIED DIMENSION ARE IN MM
VIEWS: THIRD ANGLE PROJECTION



This drawing is our property. It can't be reproduced or communicated without our written agreement.		APL APOLLO TUBES LTD. 	
DRAWN BY SB		DATE 30MAR2020	
CHECKED BY P2P Analysis & Solutions		DATE 30MAR2020	
DESIGNED BY P2P Analysis & Solutions		DATE 30MAR2020	
DRAWING TITLE PAGE 130		SIZE A0	DRAWING NUMBER P2P HANDRAIL 000130
SCALE NONE		WEIGHT (kg) XXX	REV 00
		SHEET 3 OF 5	