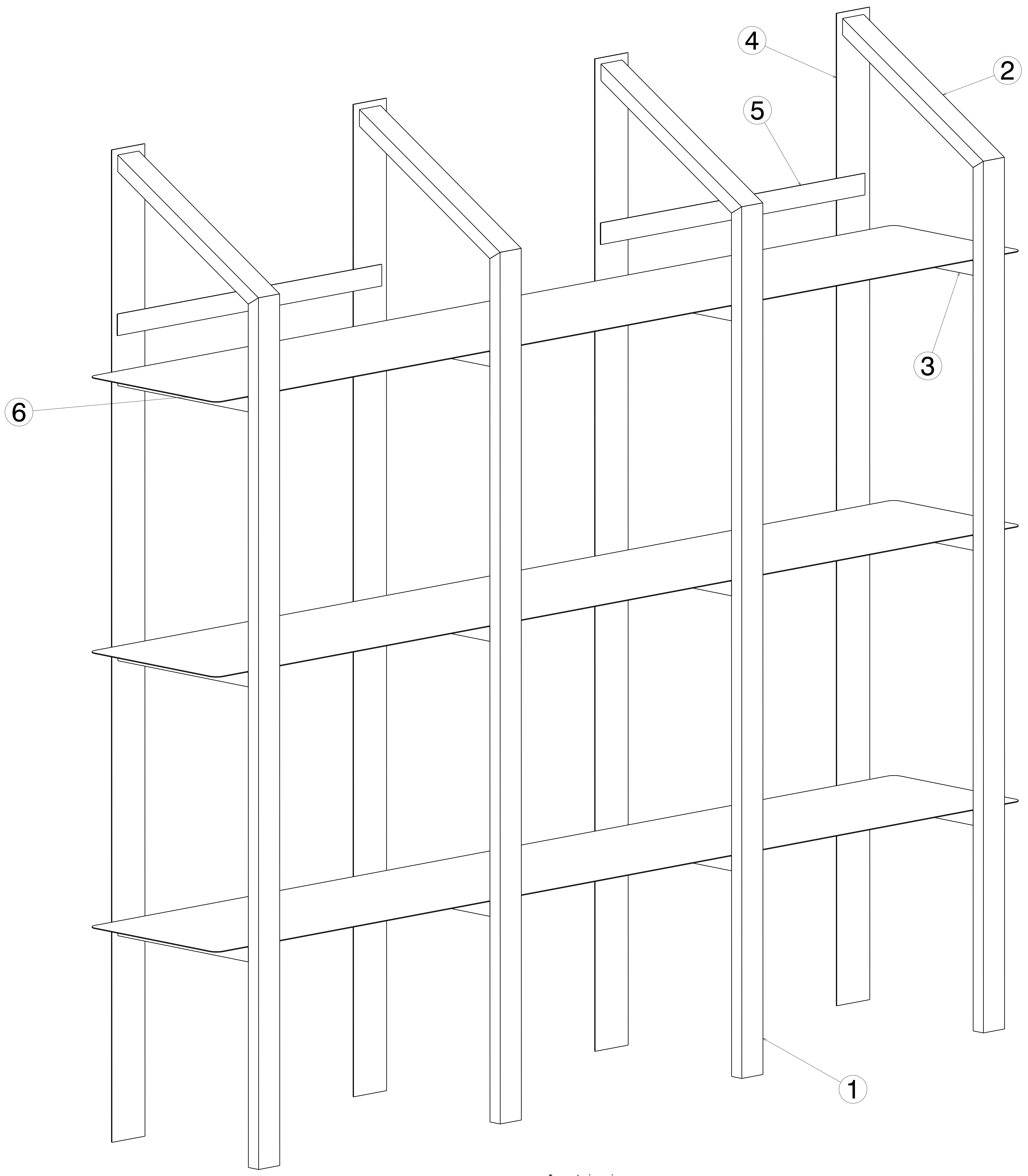


REV/DATE	DESCRIPTION
00 / 5JUL2020	INITIAL REVISION

- NOTES:
- (⊥) ALL VERTICAL SUPPORTS ARE PERPENDICULAR.
  - FLATNESS OF .5MM IS APPLIED BY DEFAULT.
  - ⊲ WELD BEAD OF 2MM RADIUS IS FOLLOWED.
  - ▽▽ SURFACE FINISH MEDIUM TO SMOOTH IS USED.
  - ALL TUBES ARE AS PER APL APOLLO STANDARD. CHANGES MAY EFFECT THE LOAD CAPACITY.
  - ALL HORIZONTAL AND VERTICAL TUBES ARE PERPENDICULAR TO EACH OTHER WITH ±1 DEG.
  - FINE WELDING IS REQUIRED AS PER MENTIONED DETAILS AND FINISHING.
  - HIGHER CURRENT WELDING MAY AFFECT THE BRITTLENESS OF MATERIAL WHICH LATER MAY RAISE TO WEAKENING OF STRUCTURE.
  - FABRICATORS ARE ALLOWED TO USE FITTINGS/FRAMES/SUPPORTS AS NEEDED AND THE SAME MUST BE COMMUNICATED BACK TO ENGINEERING TEAM.
  - LENGTH OF ALL LONGITUDINAL FRAMES ARE FOR REFERENCE ONLY AND SUBJECTED TO CHANGE PER REQUIREMENT.




Isometric view  
Scale: 1:5

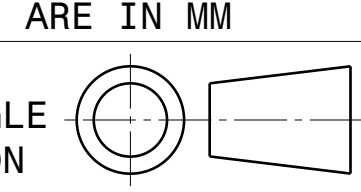


Isometric view  
Scale: 2:25

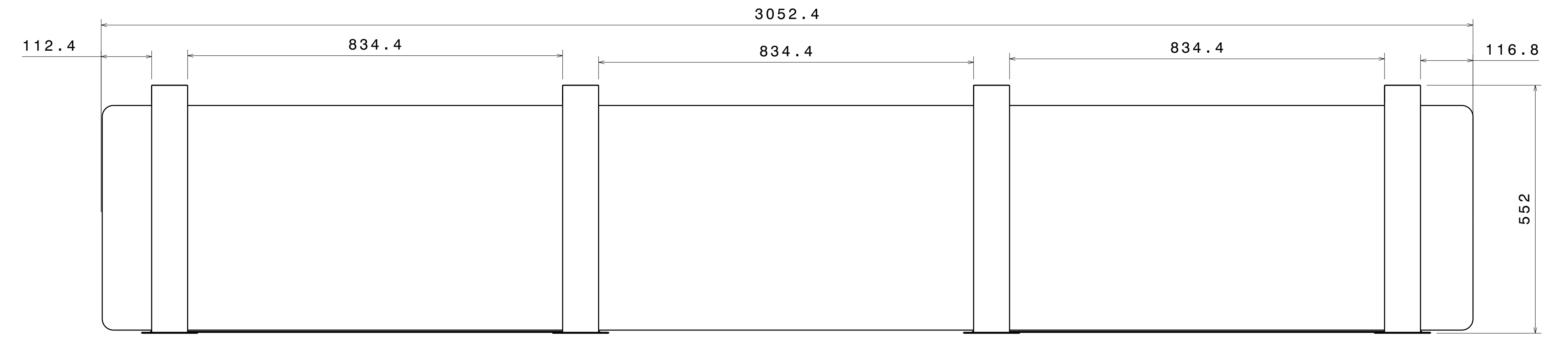
ITEM NO.	PART NUMBER	DESCRIPTION	QTY.	Wt (Kg)/Each
6	Glass Plate - BOP	3050 X 500 X THK (AS AVAILABLE)	6	12
5	Rect Strip 2 - BOP	1000 X 60 X 2 THK	2	1
4	Rect Strip 1 - BOP	2750 X 125 X 2 THK	4	5.5
3	Rect Tube 3 June 2	80 X 40 X 2.6 X 510	12	2.4
2	Rect Tube 2 June 2	80 X 40 X 2.6 X 550	4	3
1	Rect Tube 1 June 2	80 X 40 X 2.6 X 2415.31	4	11.3

This drawing is our property. It can't be reproduced or communicated without our written agreement.		APL APOLLO TUBES LTD. 	
DRAWN BY SB		DATE 5JUL2020	
CHECKED BY P2P Analysis & Solutions		DATE 5JUL2020	
DESIGNED BY P2P Analysis & Solutions		DATE 5JUL2020	
DRAWING TITLE JUNE 2		SIZE A0	REV 00
SCALE As Indicated		WEIGHT (kg) 0kg	SHEET 1 OF 3

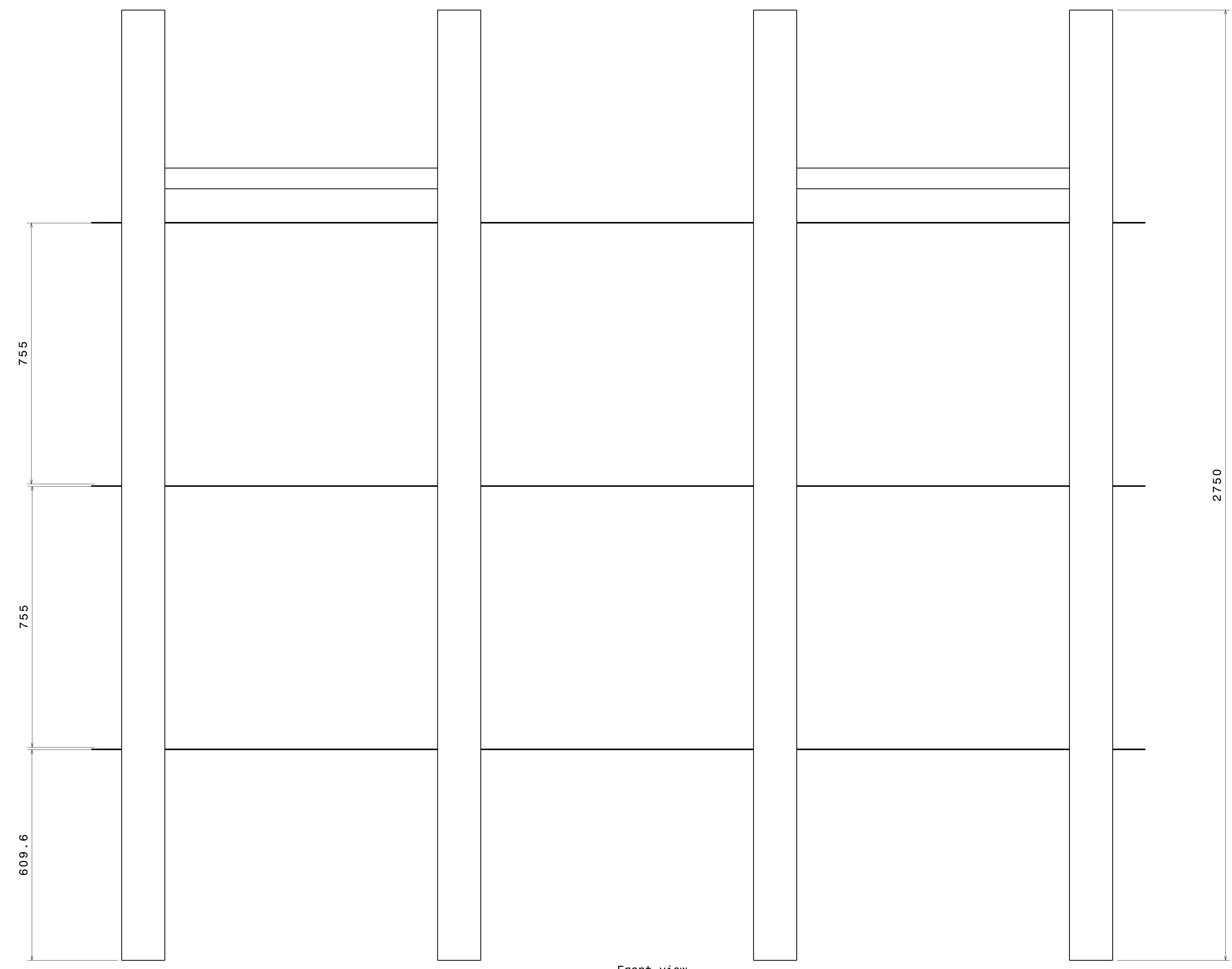
UNLESS OTHERWISE SPECIFIED DIMENSION ARE IN MM  
VIEWS: THIRD ANGLE PROJECTION



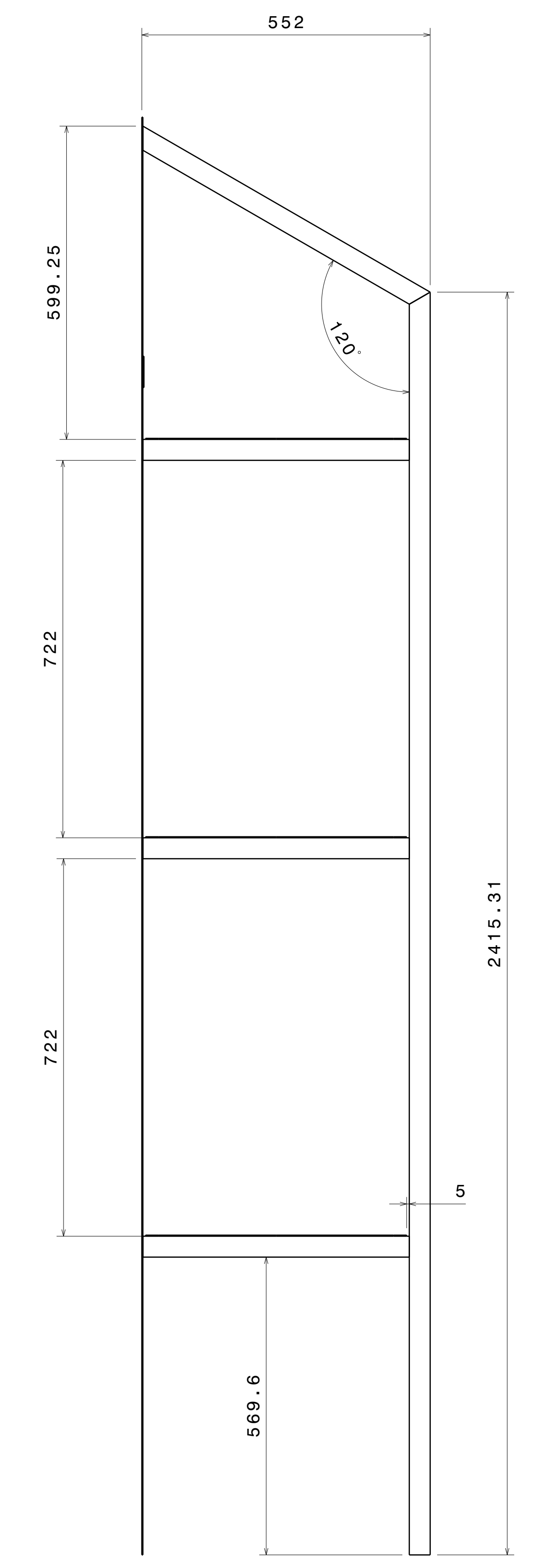
REV	DATE	DESCRIPTION
00	5JUL2020	INITIAL REVISION



Top view  
Scale: 3:20

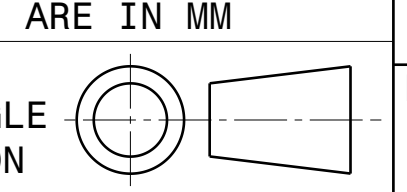


Front view  
Scale: 3:20



Right view  
Scale: 3:20

UNLESS OTHERWISE SPECIFIED DIMENSION ARE IN MM  
VIEWS: THIRD ANGLE PROJECTION



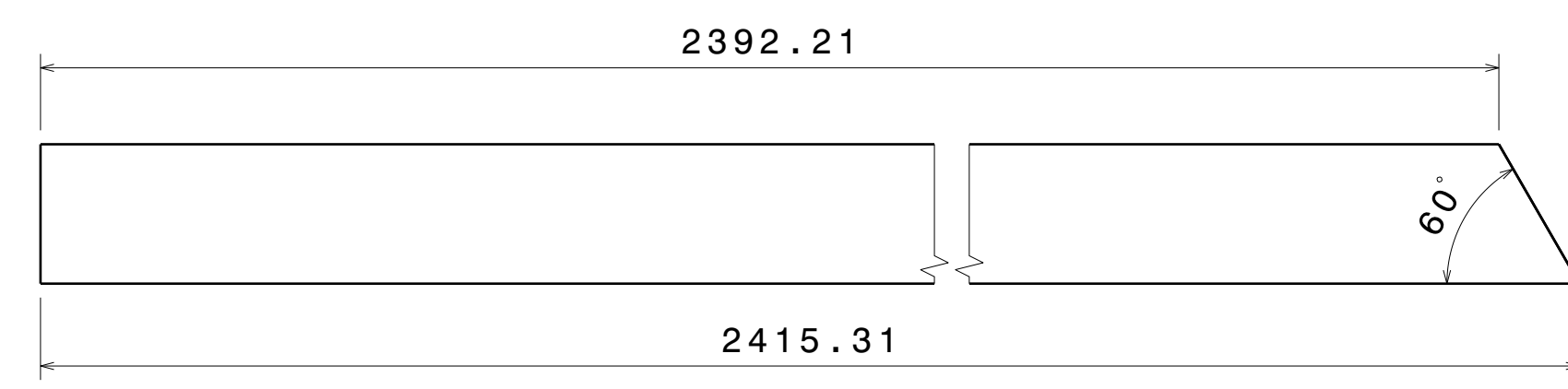
This drawing is our property. It can't be reproduced or communicated without our written agreement.

APL APOLLO TUBES LTD. 

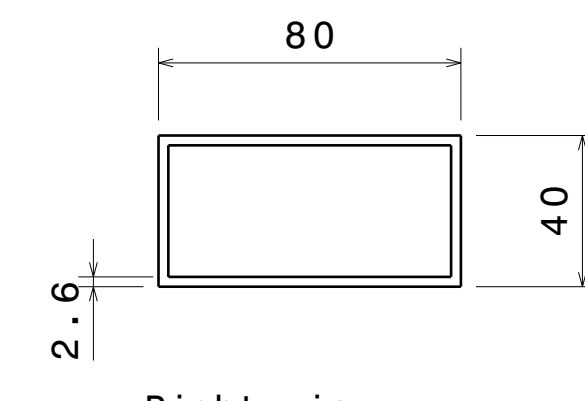
DRAWN BY	DATE
SB	5JUL2020
CHECKED BY	DATE
P2P Analysis & Solutions	5JUL2020
DESIGNED BY	DATE
P2P Analysis & Solutions	5JUL2020

DRAWING TITLE			
JUNE 2			
SIZE	DRAWING NUMBER	REV	
A0	P2P_JUNE 2	00	
SCALE	NONE	WEIGHT (kg)	XXX
			SHEET 2 OF 3

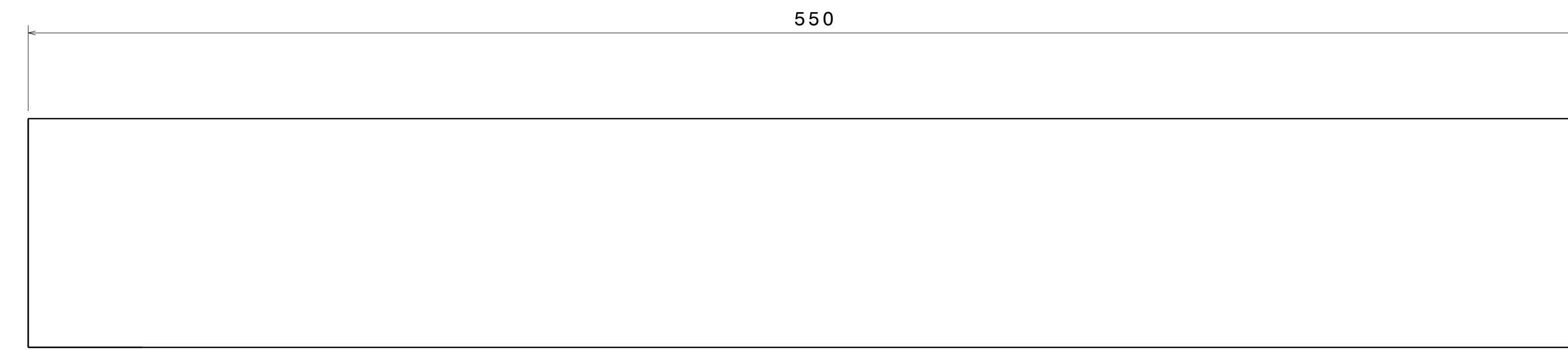
REV	DATE	DESCRIPTION
00	5JUL2020	INITIAL REVISION



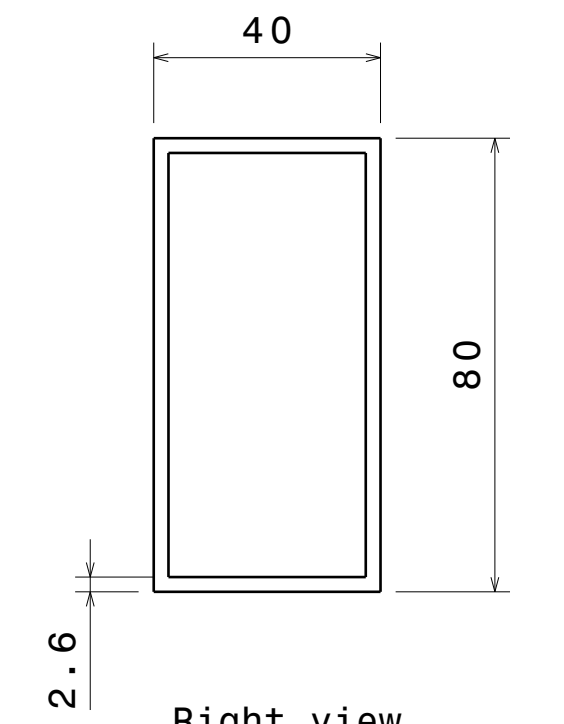
ITEM 1



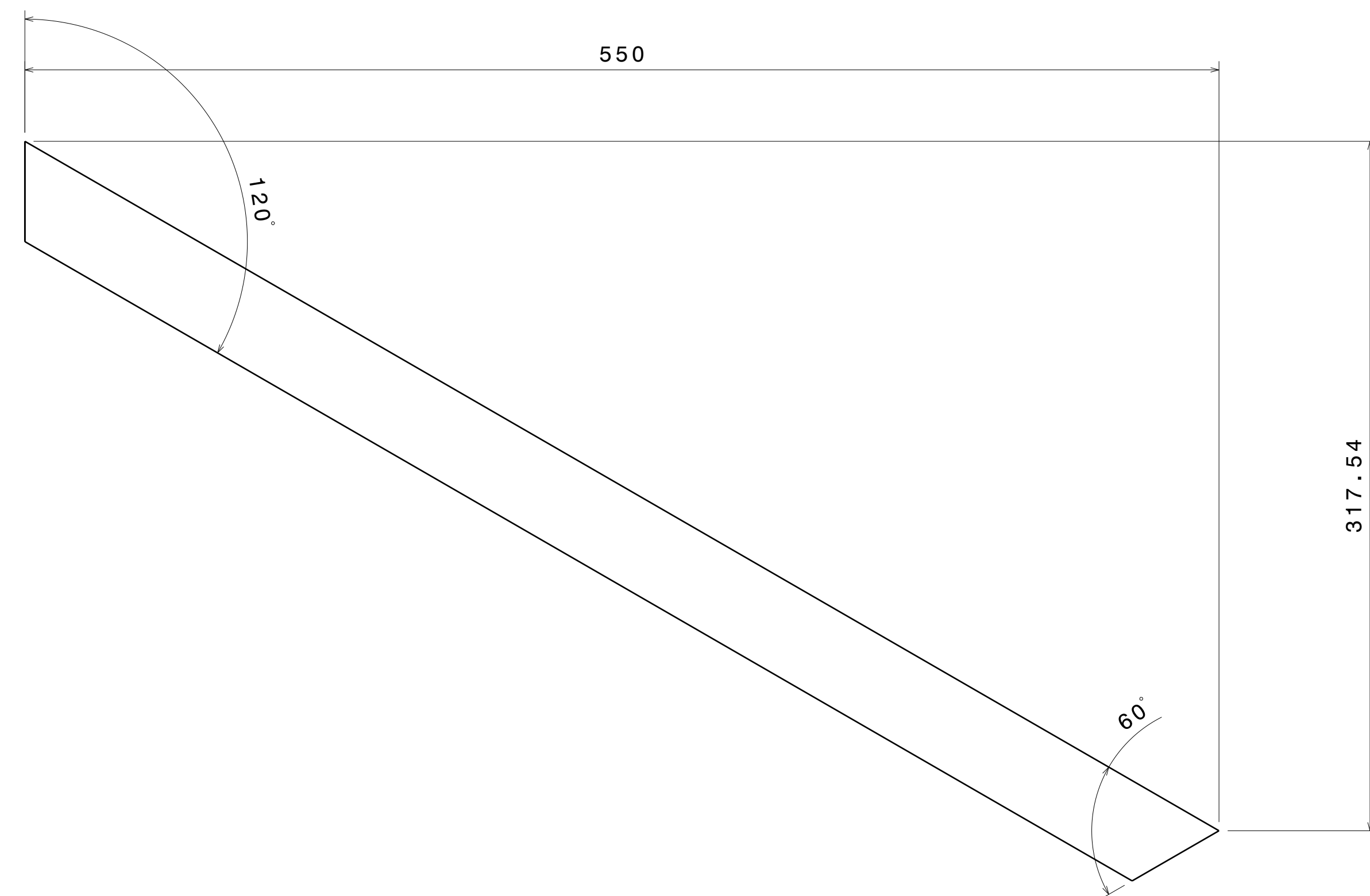
Right view  
Scale: 1:2



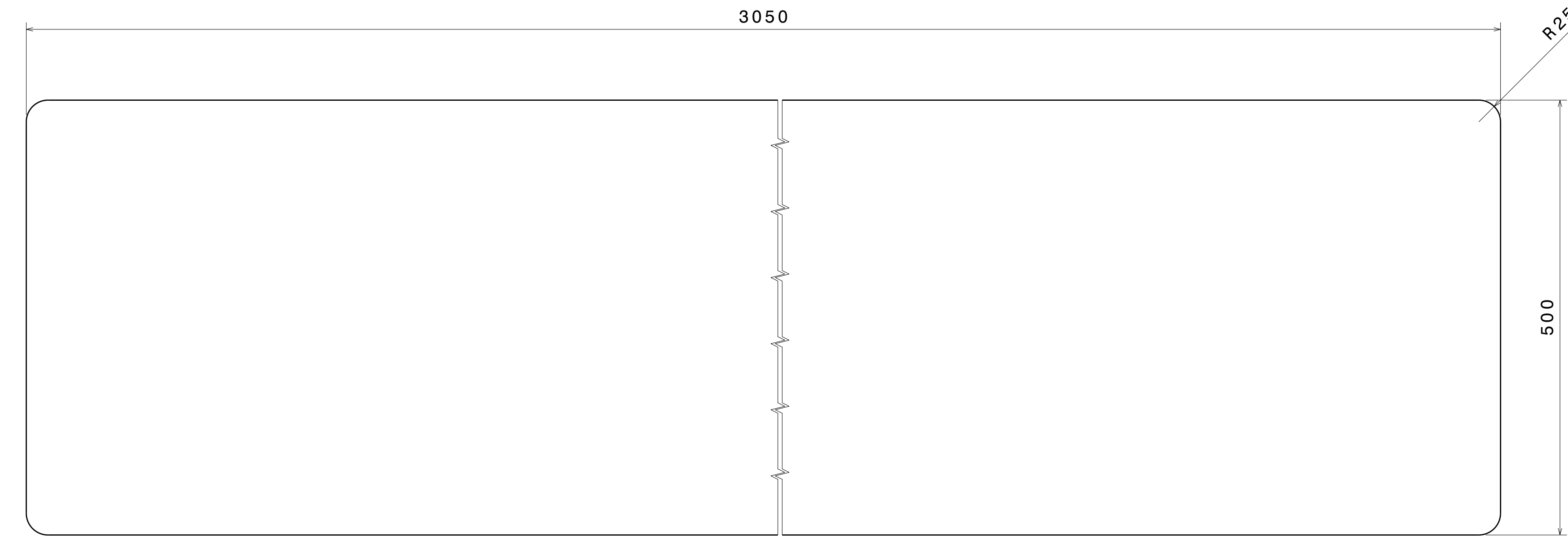
ITEM 3



Right view  
Scale: 3:4



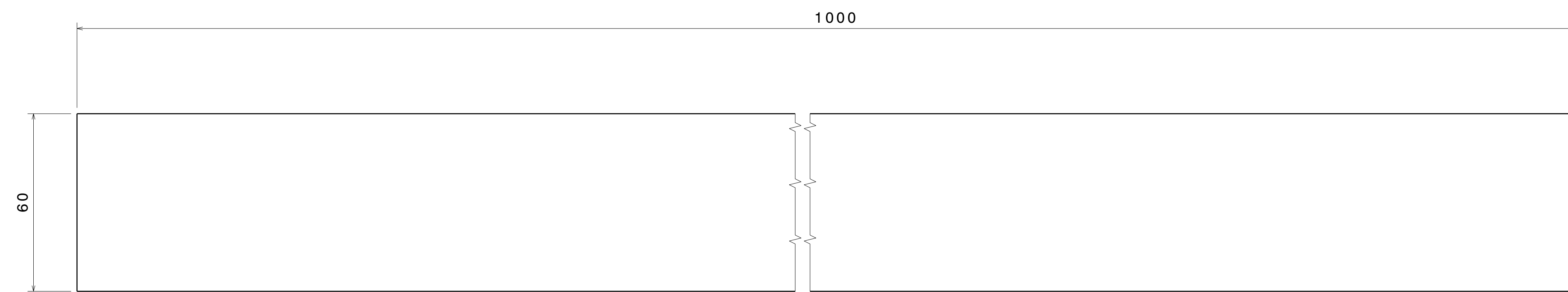
ITEM 2  
RECTANGULAR CROSS SECTION:  
80 X 40 X 2.6



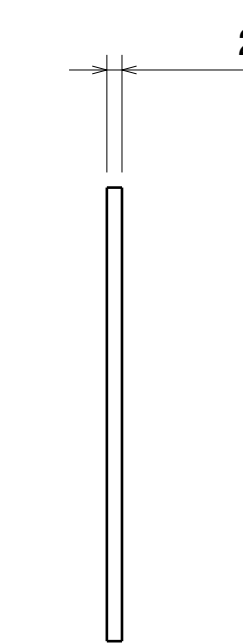
ITEM 6  
GLASS PLATE

AS AVAILABLE

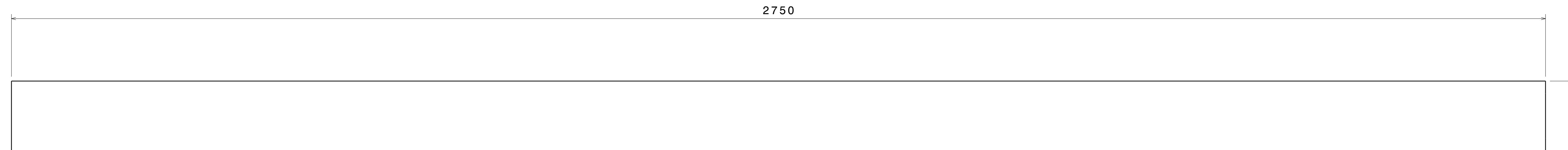
Right view  
Scale: 1:4



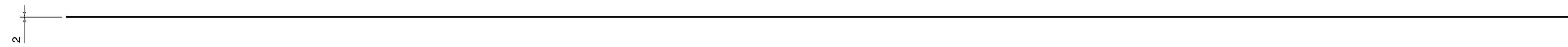
ITEM 5



Right view  
Scale: 1:1

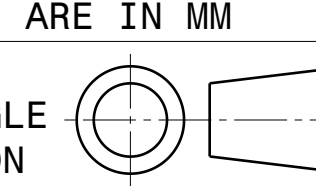


ITEM 4



Bottom view  
Scale: 1:4

UNLESS OTHERWISE SPECIFIED DIMENSION ARE IN MM  
VIEWS: THIRD ANGLE PROJECTION



This drawing is our property. It can't be reproduced or communicated without our written agreement.

DRAWN BY	DATE
SB	5JUL2020
CHECKED BY	DATE
P2P Analysis & Solutions	5JUL2020
DESIGNED BY	DATE
P2P Analysis & Solutions	5JUL2020

APL APOLLO TUBES LTD.

DRAWING TITLE		JUNE 2		REV
SIZE	DRAWING NUMBER			00
A0	P2P_JUNE 2			
SCALE	NONE	WEIGHT (kg)	XXX	SHEET 3 OF 3