

1 2 3 4 5 6

A

A

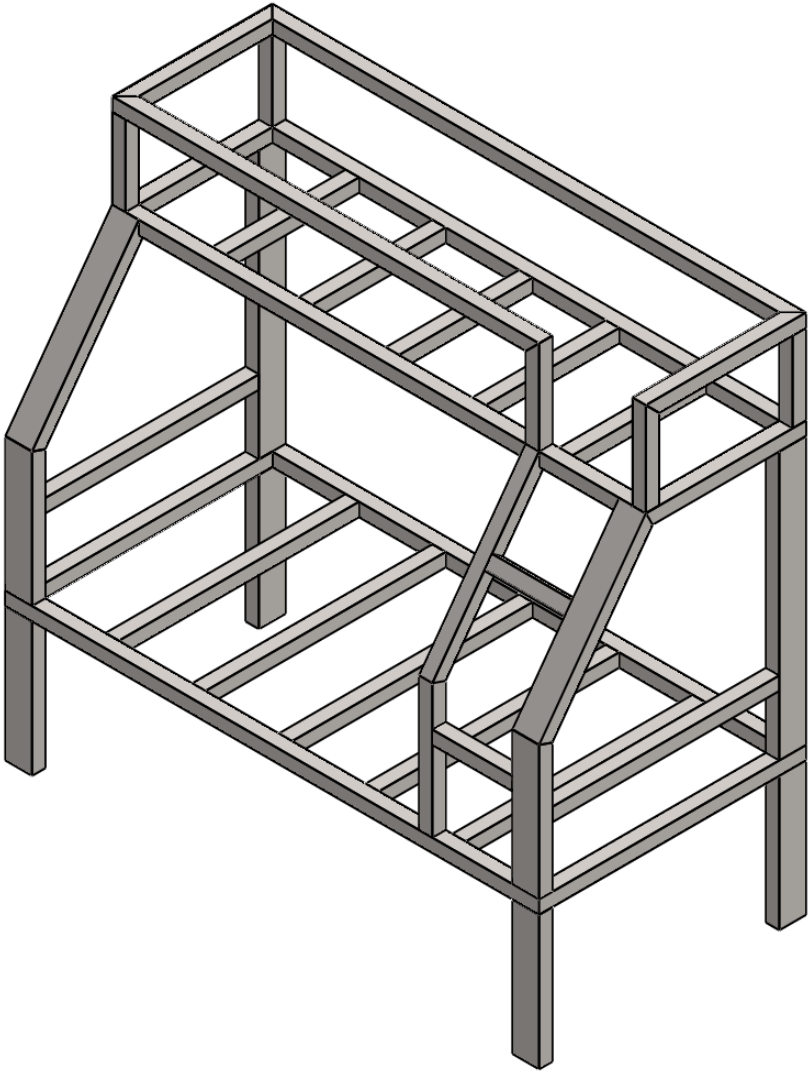
B


B

C

C

D

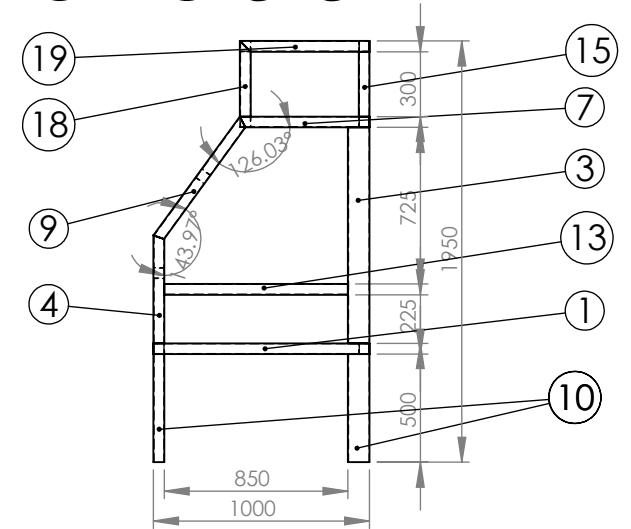
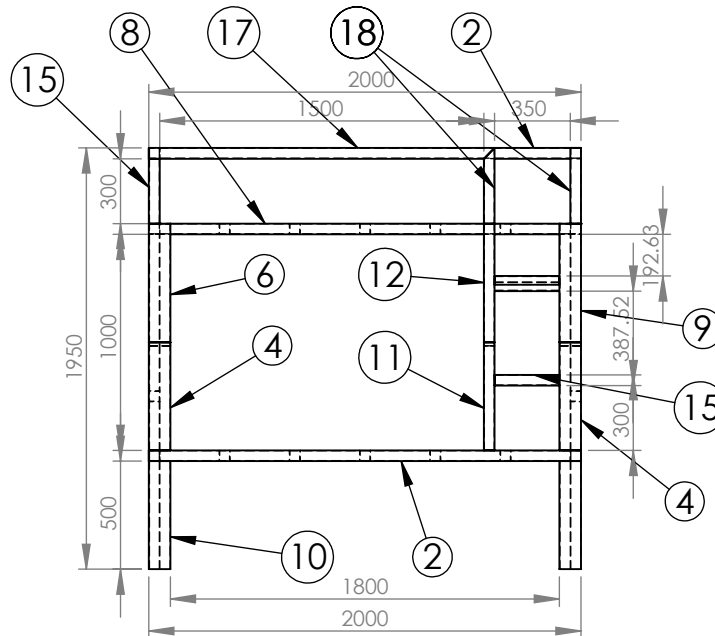
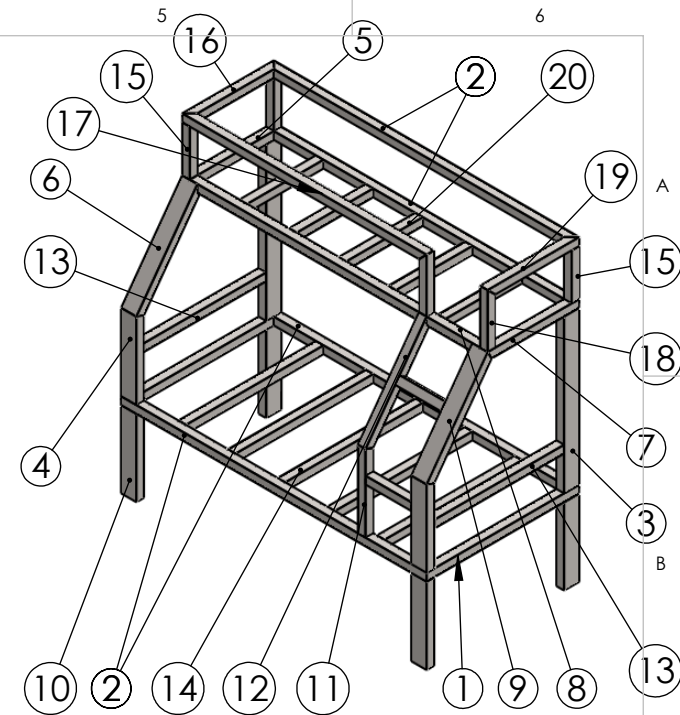
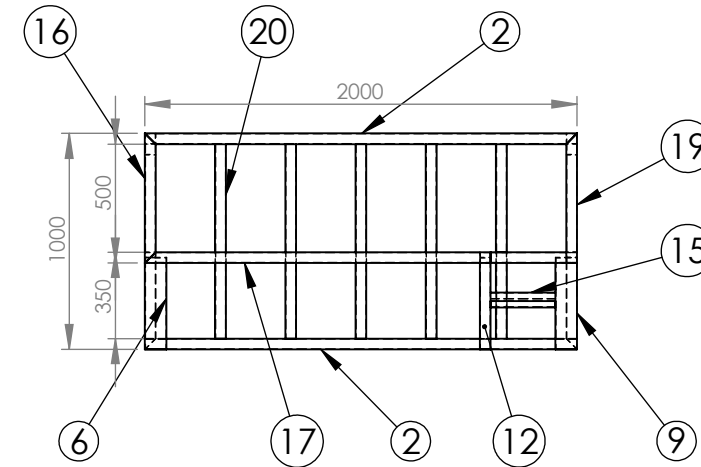


			DO NOT SCALE DRAWING		REVISION
			TITLE:		
	NAME	SIGNATURE	DATE	DWG NO. BUNKER BED	
DRAWN					
CHK'D					
APPVD				SCALE:1:50	SHEET 1 OF 4

1 2 3 4 5 6

A4

- NOTE :-
- ALL VERTICAL AND HORIZONTAL SUPPORTS ARE PERFECTLY 90°.
 - ∇∇ SURFACE FINISH, MEDIUM TO SMOOTH IS USED.
 - ALL TUBES ARE AS PER APL APOLLO STANDARD.
 - FINE WELDING IS REQUIRED AS PER MENTION DETAILS AND FINISHING.
 - JOINTS ARE WELD TOGETHER BY THE HIGH ACCURACY MIG WELDING.
 - ALL DIMENSIONS ARE IN MM.
 - HIGHER CURRENT WELDING MAY EFFECT THE BRITTLINESS OF MATERIAL WHICH MAY RAISE TO WEAKENING OF STRUCTURE.

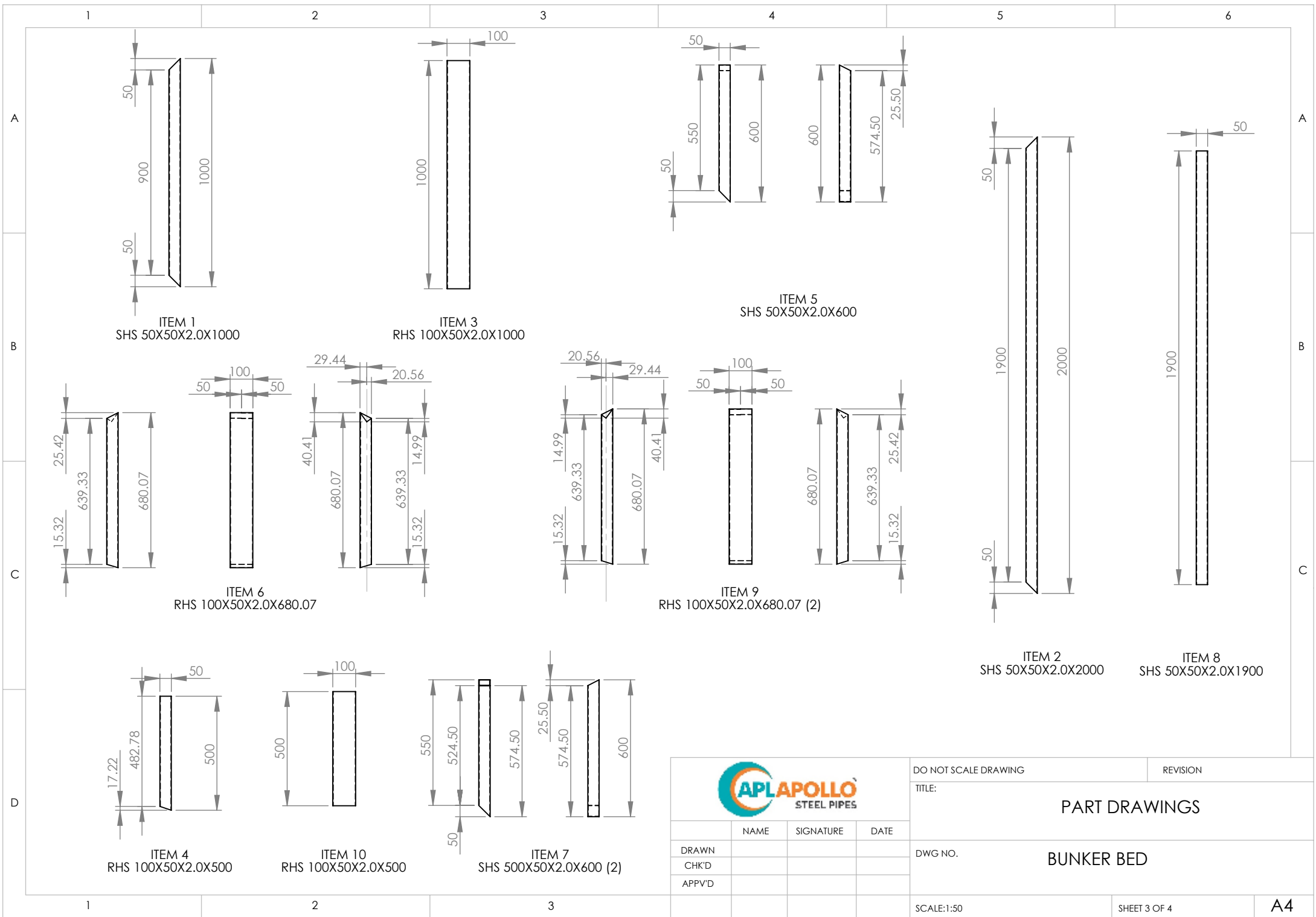


ITEM NO.	PART NUMBER	DESCRIPTION	QTY.	LENGTH
1	50X50X2X1000	SHS	2	2000
2	50X50X2X2000	SHS	4	8000
3	100X50X2X1000	RHS	2	2000
4	100X50X2X500	RHS	2	1000
5	50X50X2X600	SHS	1	600
6	100X50X2X680.07	RHS	1	680.07
7	50X50X2X600 (2)	SHS	1	600
8	50X50X2X1900	SHS	1	1900
9	100X50X2X680.07 (2)	RHS	1	680.07
10	100X50X2X500 (2)	RHS	4	2000
11	50X50X2X500	SHS	1	500
12	50X50X2X680.07	SHS	1	680.07
13	50X50X2X850	SHS	2	1700
14	50X50X2X900	SHS	5	4500
15	50X50X2X300	SHS	5	1500
16	50X50X2X600 (3)	SHS	1	600
17	50X50X2X1600	SHS	1	1600
18	50X50X2X350	SHS	2	700
19	50X50X2X600 (4)	SHS	1	600
20	50X50X2X500 (2)	SHS	5	2500



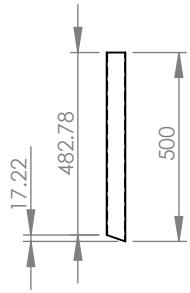
	NAME	SIGNATURE	DATE
DRAWN			
CHK'D			
APP'VD			

DO NOT SCALE DRAWING	REVISION
TITLE:	
DWG NO.	BUNKER BED

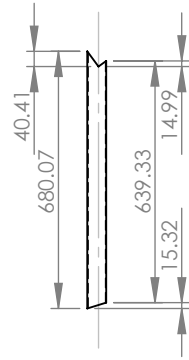


			DO NOT SCALE DRAWING	REVISION
			TITLE: PART DRAWINGS	
NAME	SIGNATURE	DATE	DWG NO. BUNKER BED	
DRAWN				
CHK'D				
APPV'D			SCALE:1:50	

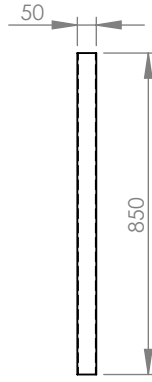
SHEET 3 OF 4		A4
--------------	--	----



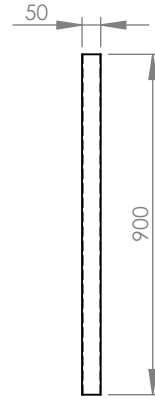
ITEM 11
SHS 50X50X2.0X500



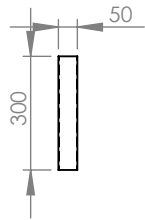
ITEM 12
SHS 50X50X2.0X680.07



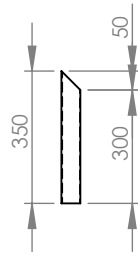
ITEM 13
SHS 50X50X2.0X850



ITEM 14
SHS 50X50X2.0X900



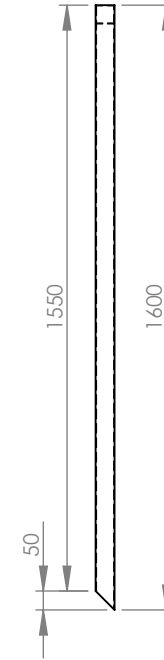
ITEM 15
SHS 50X50X2.0X300



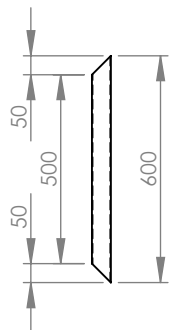
ITEM 18
SHS 50X50X2.0X350



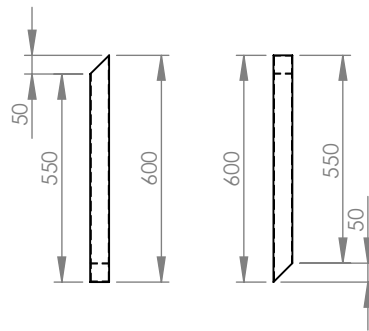
ITEM 20
SHS 50X50X2.0X500 (2)



ITEM 17
SHS 50X50X2.0X1600



ITEM 16
SHS 50X50X2.0X600 (3)



ITEM 19
SHS 50X50X2.0X600 (4)



DO NOT SCALE DRAWING

REVISION

TITLE:

PART DRAWINGS

	NAME	SIGNATURE	DATE
DRAWN			
CHK'D			
APP'VD			

DWG NO.

BUNKER BED

SCALE:1:50

SHEET 4 OF 4

A4