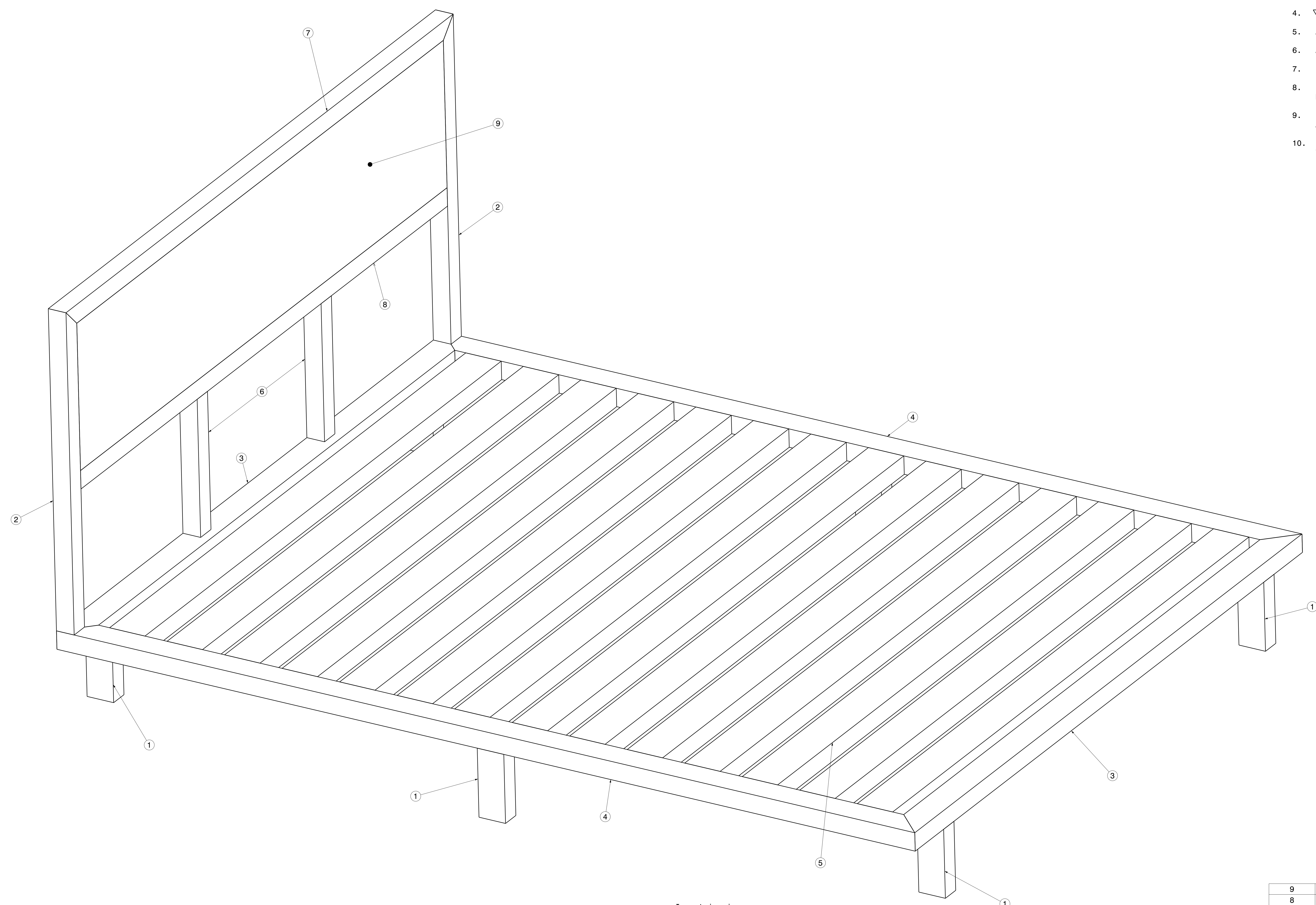


REV	DATE	DESCRIPTION
00	17/04/2020	INITIAL REVISION

NOTES:

1. (⊥) ALL VERTICAL SUPPORTS ARE PERPENDICULAR.
2. □ FLATNESS OF .5MM IS APPLIED BY DEFAULT.
3. ∇ WELD BEAD OF 2MM RADIUS IS FOLLOWED.
4. ∇∇ SURFACE FINISH MEDIUM TO SMOOTH IS USED.
5. ALL TUBES ARE AS PER APL APOLLO STANDARD. CHANGES MAY EFFECT THE LOAD CAPACITY.
6. ALL HORIZONTAL AND VERTICAL TUBES ARE PERPENDICULAR TO EACH OTHER WITH ±1 DEG.
7. FINE WELDING IS REQUIRED AS PER MENTIONED DETAILS AND FINISHING.
8. HIGHER CURRENT WELDING MAY AFFECT THE BRITTLENESS OF MATERIAL WHICH LATER MAY RAISE TO WEAKENING OF STRUCTURE.
9. FABRICATORS ARE ALLOWED TO USE FITTINGS/FRAMES/SUPPORTS AS NEEDED AND THE SAME MUST BE COMMUNICATED BACK TO ENGINEERING TEAM.
10. LENGTH OF ALL LONGITUDINAL FRAMES ARE FOR REFERENCE ONLY AND SUBJECTED TO CHANGE PER REQUIREMENT.



Isometric view

ITEM NO.	PART NUMBER	DESCRIPTION	QTY.	Wt (Kg)/Each
9	Plate -BOP	1420 X 320, T=2.5	1	8.9
8	Sq Tube Bed 2 Frame 8	40 X 40 X 2.9 X 1420	1	4.8
7	Sq Tube Bed 2 Frame 7	40 X 40 X 2.9 X 1500	1	4.9
6	Sq Tube Bed 2 Frame 6	40 X 40 X 2.9 X 300	2	1
5	Rect Tube Bed 2 Frame 5	80 X 40 X 2.6 X 1380	14	6.4
4	Rect Tube Bed 2 Frame 4	60 X 40 X 2.9 X 1940	2	8.1
3	Rect Tube Bed 2 Frame 3	60 X 40 X 2.9 X 1500	2	6.2
2	Sq Tube Bed 2 Frame 2	40 X 40 X 2.9 X 700	2	2.3
1	Rect Tube Bed 2 Frame 1	60 X 40 X 2.9 X 150	6	0.64

This drawing is our property. It can't be reproduced or communicated without our written agreement.

**APL APOLLO TUBES LTD.**

DRAWING TITLE: **BED 2**

DESIGNED BY: P2P Analysis & Solutions  
 CHECKED BY: P2P Analysis & Solutions  
 DRAWN BY: SB

DATE: 17/04/2020

SIZE: **A0**  
 SCALE: **As Indicated**

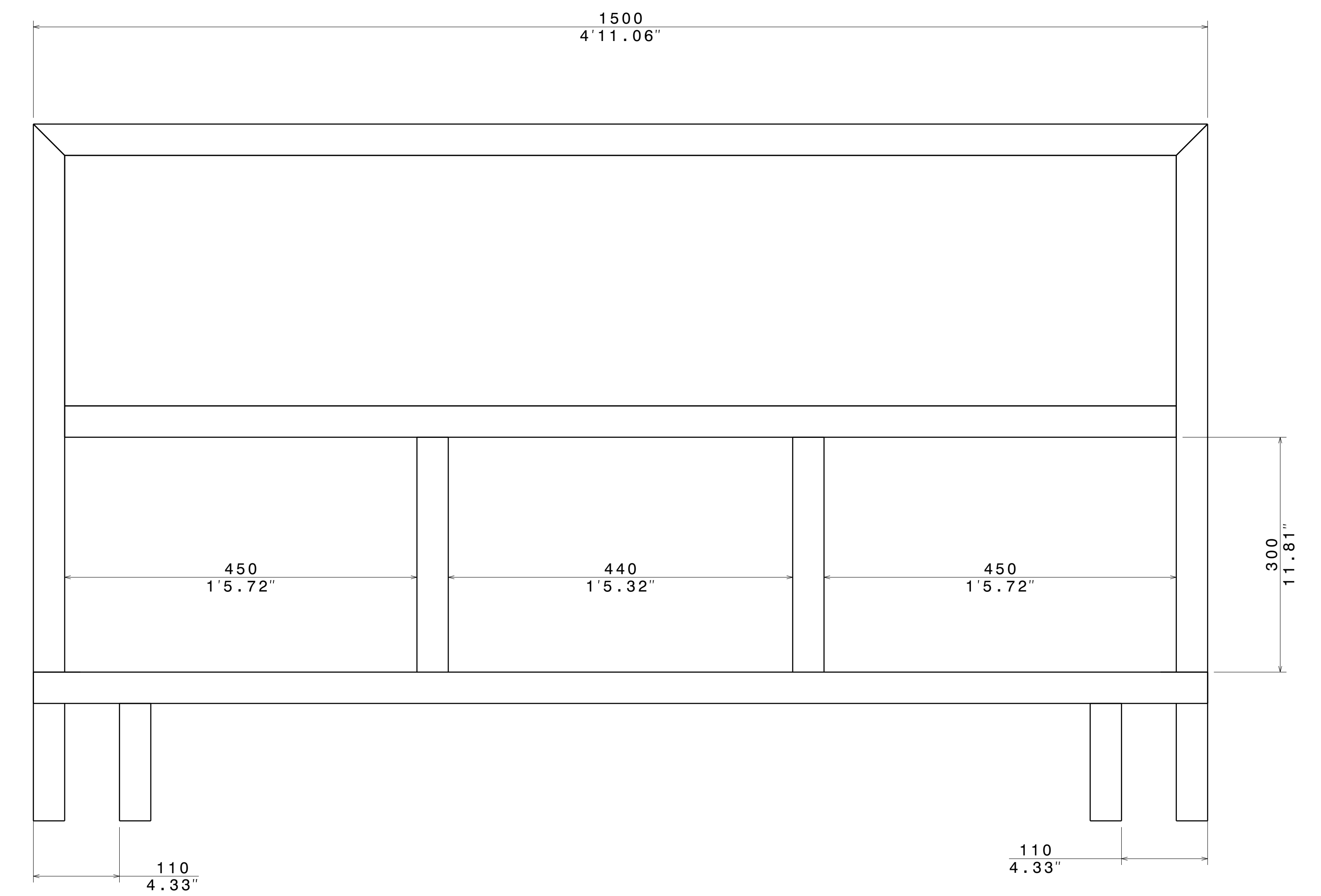
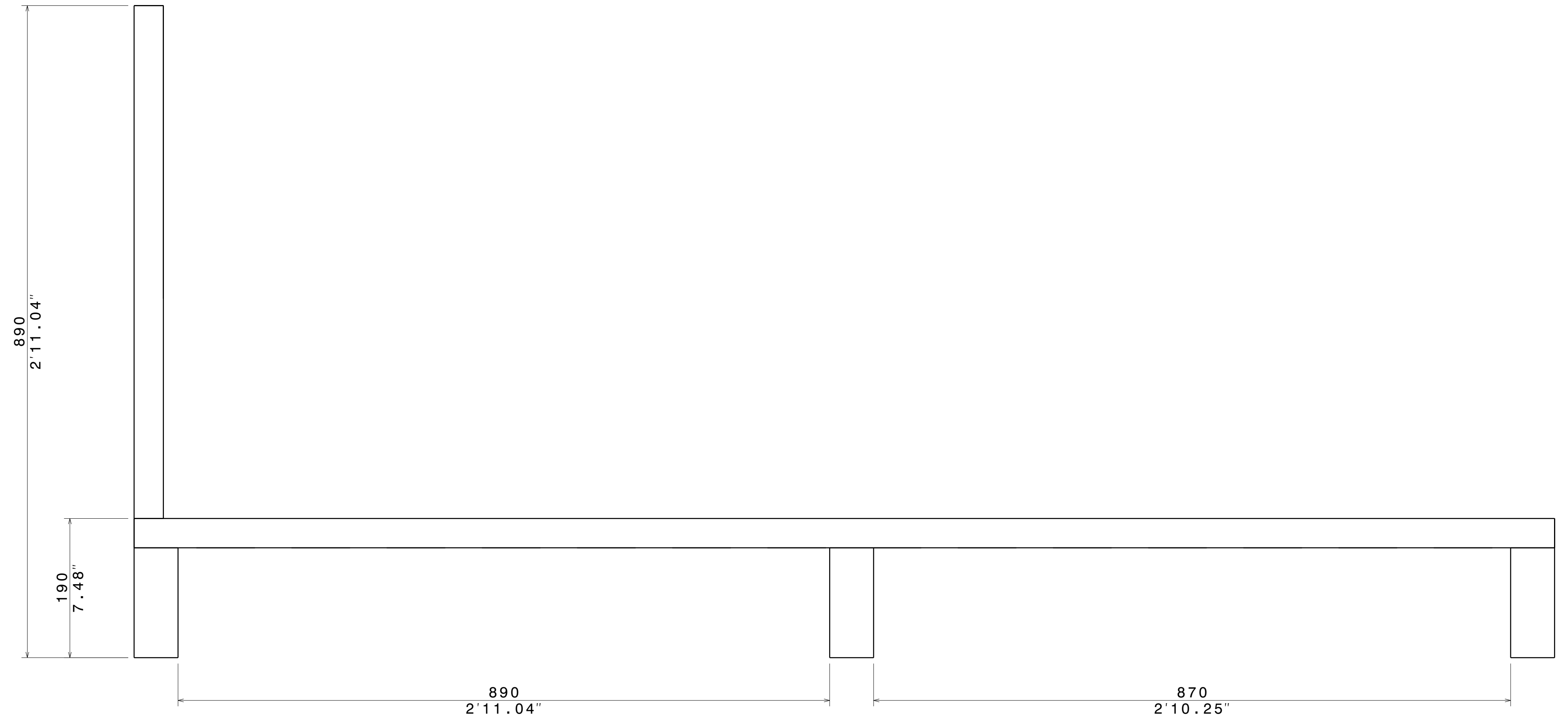
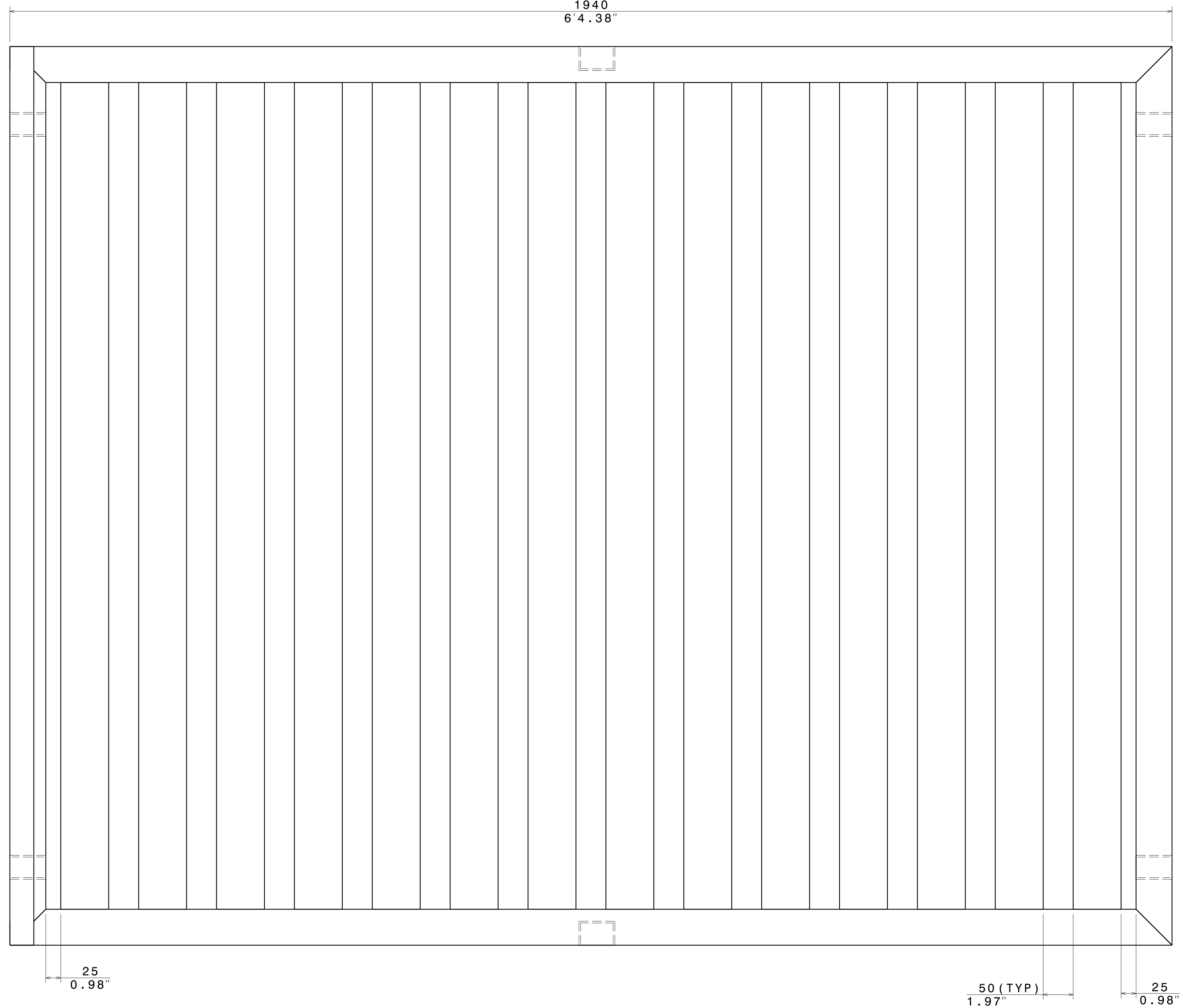
WEIGHT (kg): **0kg**

REV: **00**

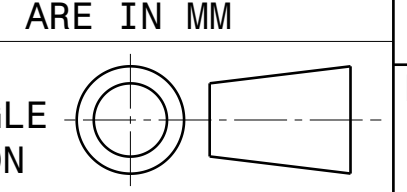
SHEET 1 OF 5

UNLESS OTHERWISE SPECIFIED DIMENSION ARE IN MM  
 VIEWS: THIRD ANGLE PROJECTION

REV	DATE	DESCRIPTION
00	17/04/2020	INITIAL REVISION




UNLESS OTHERWISE SPECIFIED DIMENSION ARE IN MM VIEWS: THIRD ANGLE PROJECTION



This drawing is our property. It can't be reproduced or communicated without our written agreement.

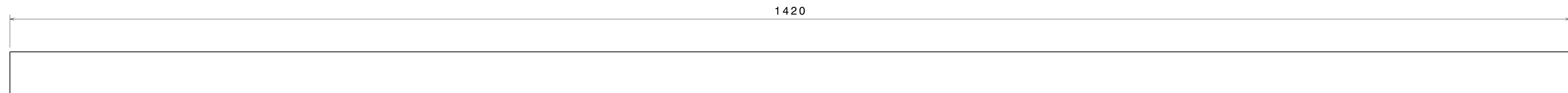
DRAWN BY	DATE
SB	17/04/2020
CHECKED BY	DATE
P2P Analysis & Solutions	17/04/2020
DESIGNED BY	DATE
P2P Analysis & Solutions	17/04/2020

APL APOLLO TUBES LTD. 	
DRAWING TITLE	
BED 2	
SIZE	DRAWING NUMBER
A0	P2P BED 2
SCALE	WEIGHT (kg)
NONE	XXX
SHEET 2 OF 5	

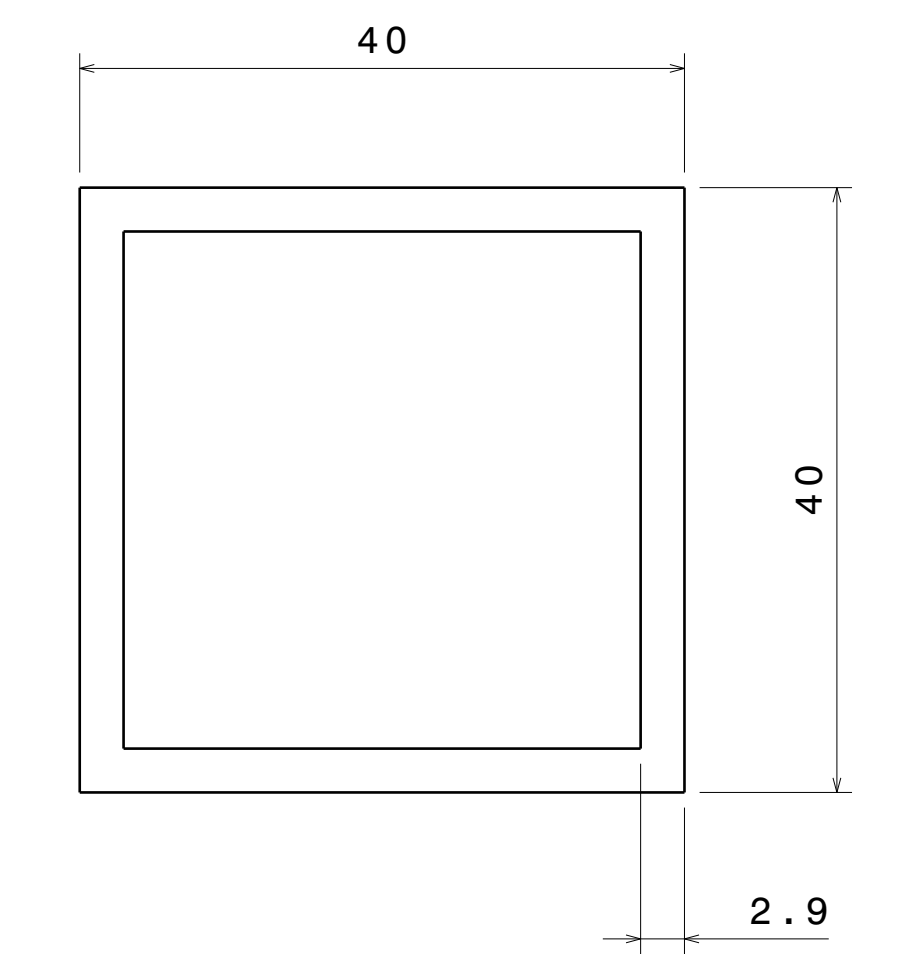
REV 00



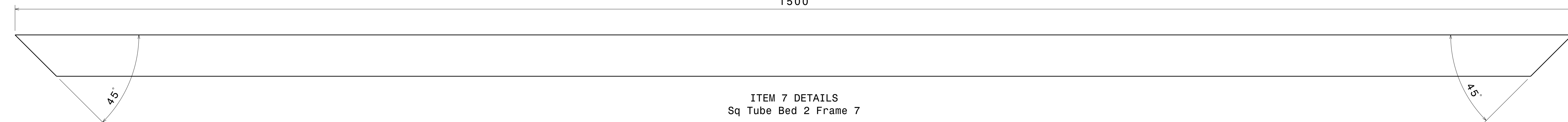
REV	DATE	DESCRIPTION
00	17/04/2020	INITIAL REVISION



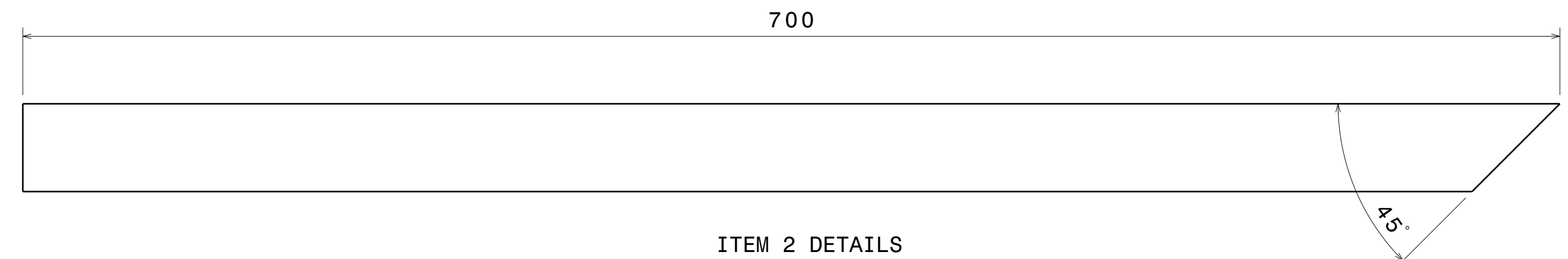
ITEM 8 DETAILS  
Sq Tube Bed 2 Frame 8



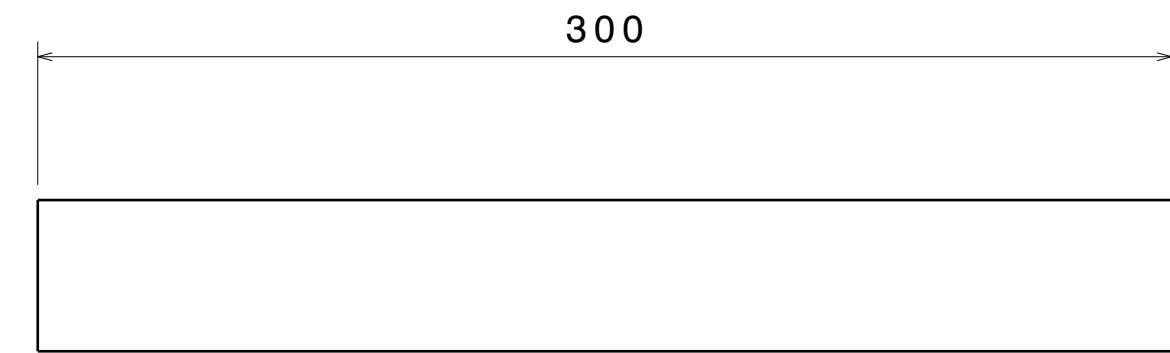
Section Detail of ITEM 2,6,7 & 8  
Scale: 2:1



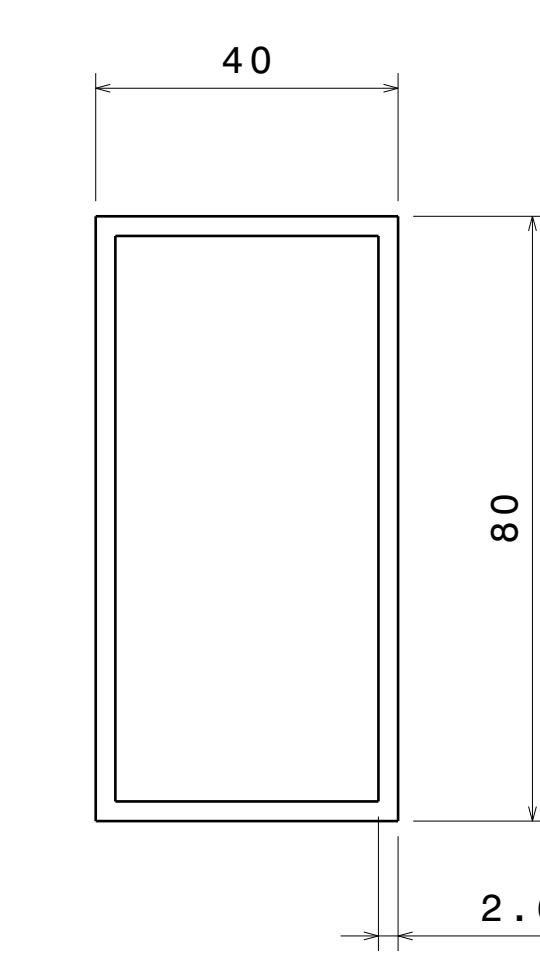
ITEM 7 DETAILS  
Sq Tube Bed 2 Frame 7



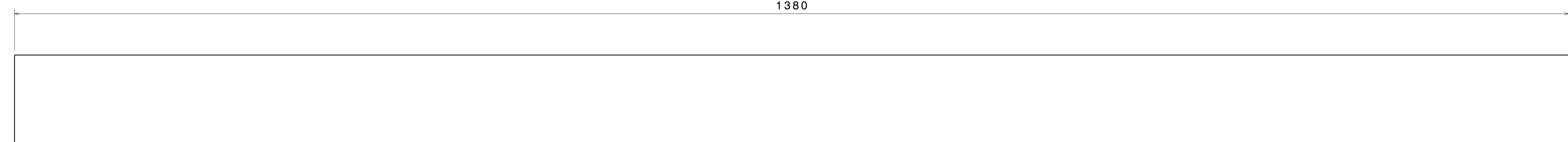
ITEM 2 DETAILS  
Sq Tube Bed 2 Frame 2



ITEM 6 DETAILS  
Sq Tube Bed 2 Frame 6



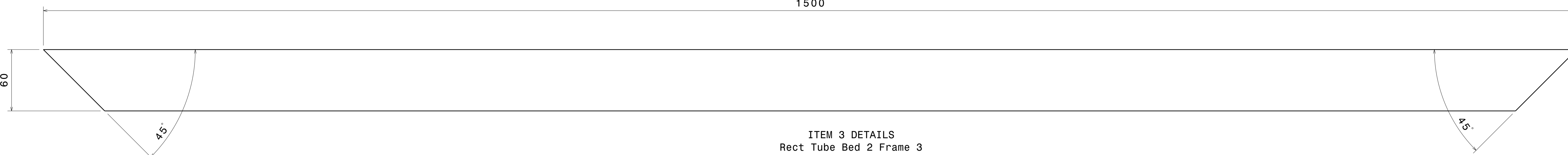
Section Detail of ITEM 5  
Scale: 1:1



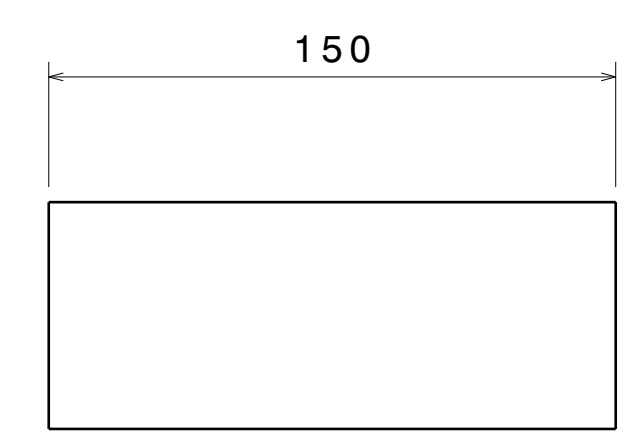
ITEM 5 DETAILS  
Rect Tube Bed 2 Frame 5



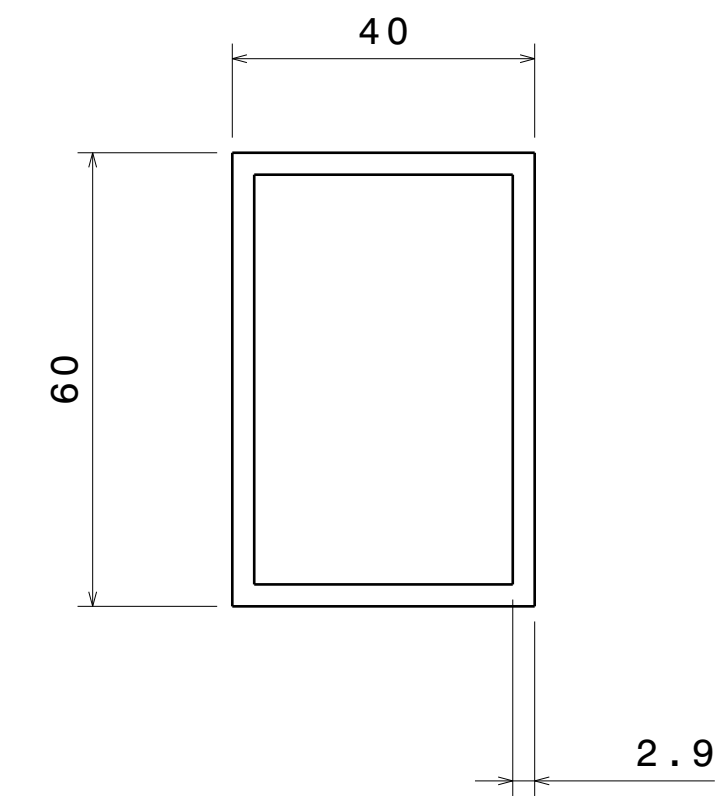
ITEM 4 DETAILS  
Rect Tube Bed 2 Frame 4



ITEM 3 DETAILS  
Rect Tube Bed 2 Frame 3



ITEM 1 DETAILS  
Rect Tube Bed 2 Frame 1



Section Detail of ITEM 1,3 & 4  
Scale: 1:1

UNLESS OTHERWISE SPECIFIED DIMENSION ARE IN MM  
VIEWS: THIRD ANGLE PROJECTION

This drawing is our property. It can't be reproduced or communicated without our written agreement.

DRAWN BY	DATE
SB	17/04/2020
CHECKED BY	DATE
P2P Analysis & Solutions	17/04/2020
DESIGNED BY	DATE
P2P Analysis & Solutions	17/04/2020

APL APOLLO TUBES LTD.	
DRAWING TITLE	
BED 2	
SIZE	DRAWING NUMBER
A0	P2P BED 2
SCALE	WEIGHT (kg)
NONE	XXX
REV	SHEET 3 OF 5
00	