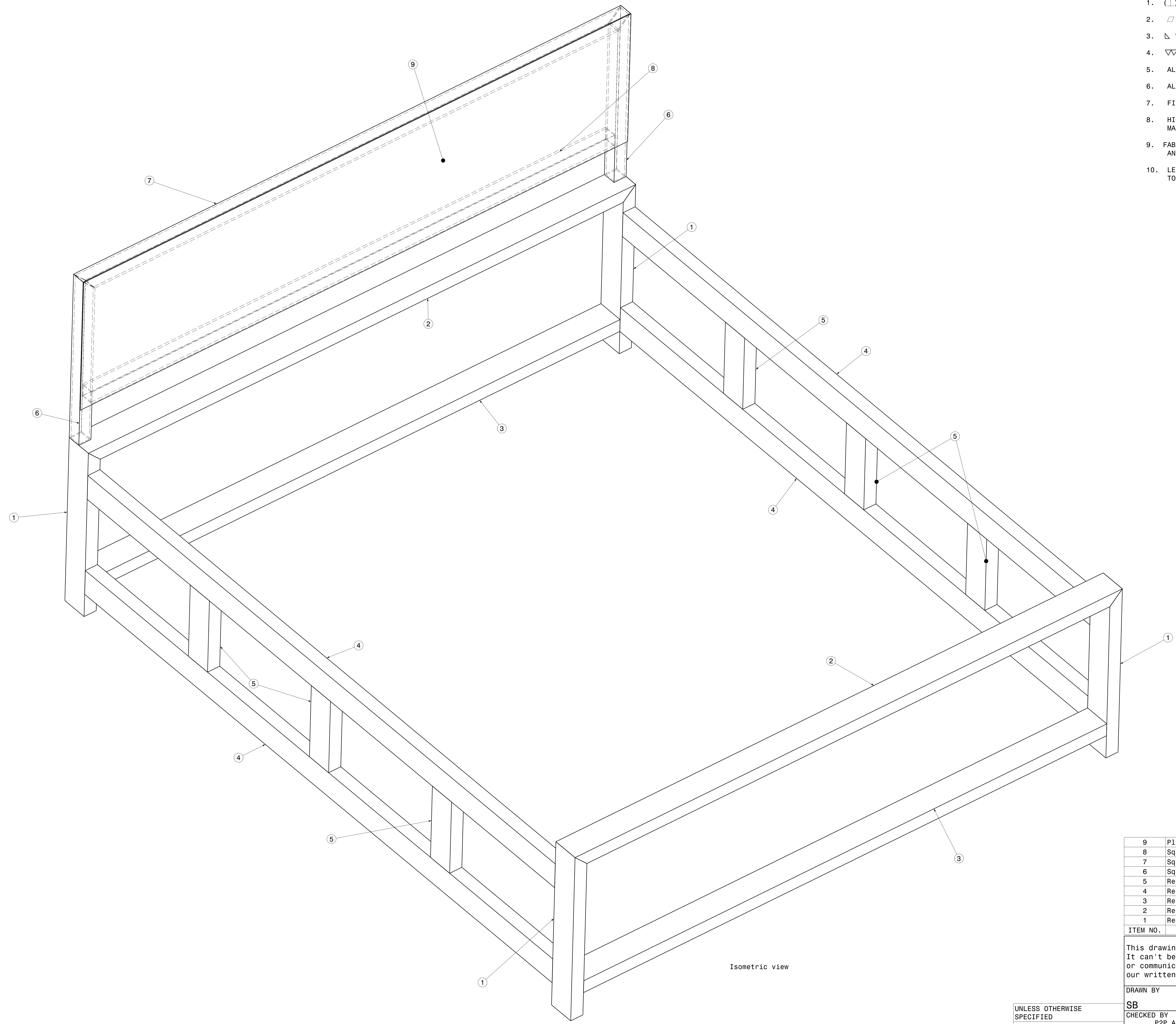


REV/DATE	DESCRIPTION
00	22/04/2020 INITIAL REVISION

NOTES:

1. (⊥) ALL VERTICAL SUPPORTS ARE PERPENDICULAR.
2. □ FLATNESS OF .5MM IS APPLIED BY DEFAULT.
3. ∇ WELD BEAD OF 2MM RADIUS IS FOLLOWED.
4. ∇∇ SURFACE FINISH MEDIUM TO SMOOTH IS USED.
5. ALL TUBES ARE AS PER APL APOLLO STANDARD. CHANGES MAY EFFECT THE LOAD CAPACITY.
6. ALL HORIZONTAL AND VERTICAL TUBES ARE PERPENDICULAR TO EACH OTHER WITH ±1 DEG.
7. FINE WELDNG IS REQUIRED AS PER MENTIONED DETAILS AND FINISHING.
8. HIGHER CURRENT WELDING MAY AFFECT THE BRITTLENESS OF MATERIAL WHICH LATER MAY RAISE TO WEAKENING OF STRUCTURE.
9. FABRICATORS ARE ALLOWED TO USE FITTINGS/FRAMES/SUPPORTS AS NEEDED AND THE SAME MUST BE COMMUNICATED BACK TO ENGINEERING TEAM.
10. LENGTH OF ALL LONGITUDINAL FRAMES ARE FOR REFERENCE ONLY AND SUBJECTED TO CHANGE PER REQUIREMENT.



Isometric view

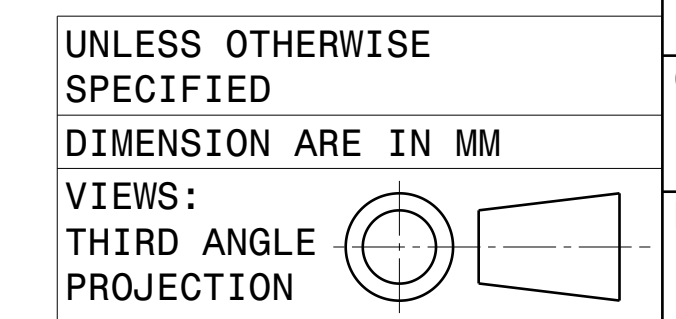
ITEM NO.	PART NUMBER	DESCRIPTION	QTY.	Wt (Kg) /Each
9	Plate -BOP	1800 X 430, T=2.5	1	15.2
8	Sq Tube Bed Frame 8	40 X 40 X 3.2 X 1720	1	6.4
7	Sq Tube Bed1 Frame 7	40 X 40 X 3.2 X 1800	1	6.5
6	Sq Tube Bed1 Frame 6	40 X 40 X 3.2 X 550	2	2.0
5	Rect Tube Bed1 Frame 5	80 X 40 X 3.2 X 240	6	1.4
4	Rect Tube Bed1 Frame 4	80 X 40 X 3.2 X 1950	4	11.1
3	Rect Tube Bed1 Frame 3	80 X 40 X 3.2 X 1720	2	9.8
2	Rect Tube Bed1 Frame 2	80 X 40 X 3.2 X 1800	2	10
1	Rect Tube Bed1 Frame 1	80 X 40 X 3.2 X 500	4	3.0

This drawing is our property. It can't be reproduced or communicated without our written agreement.

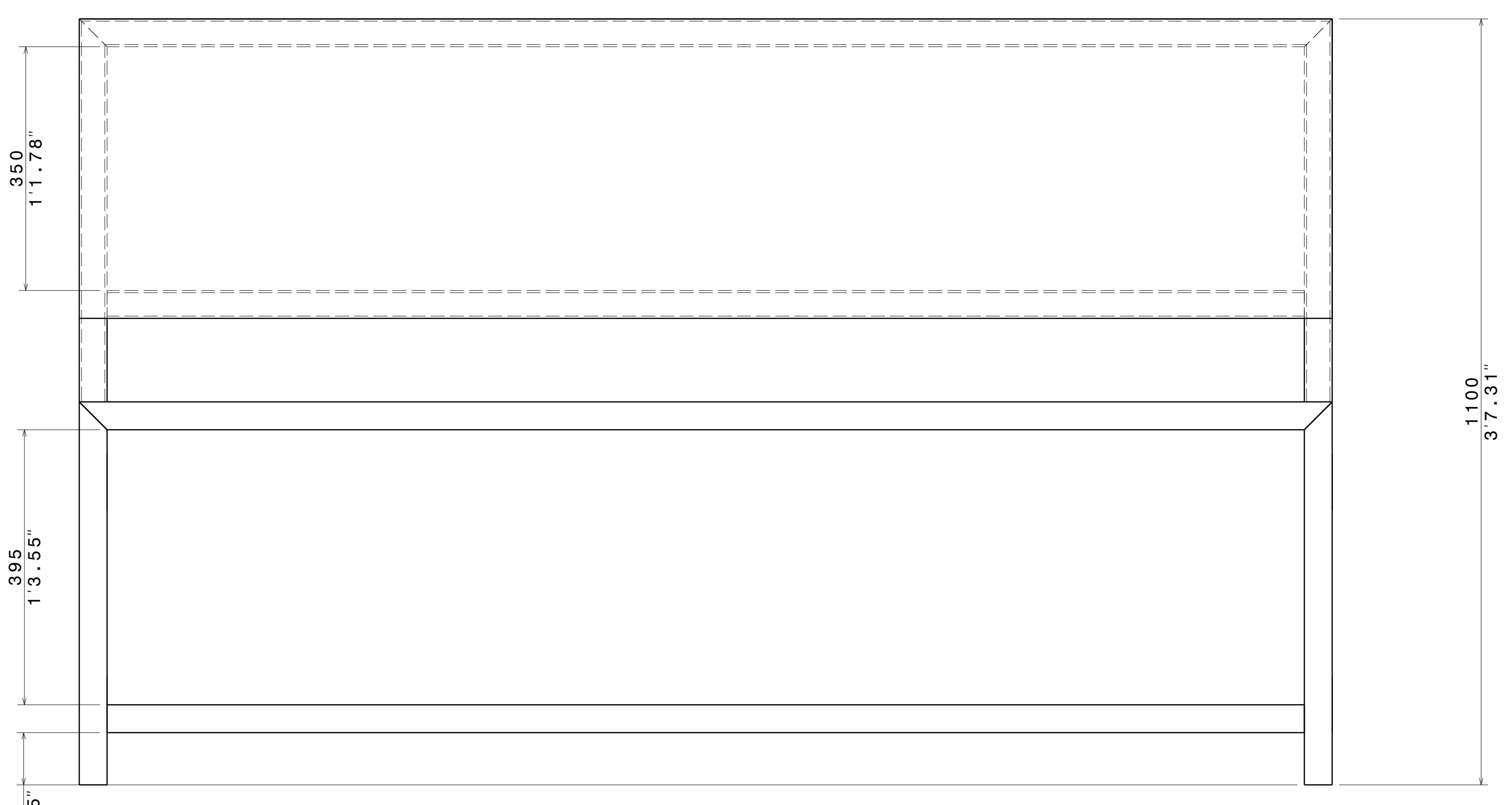
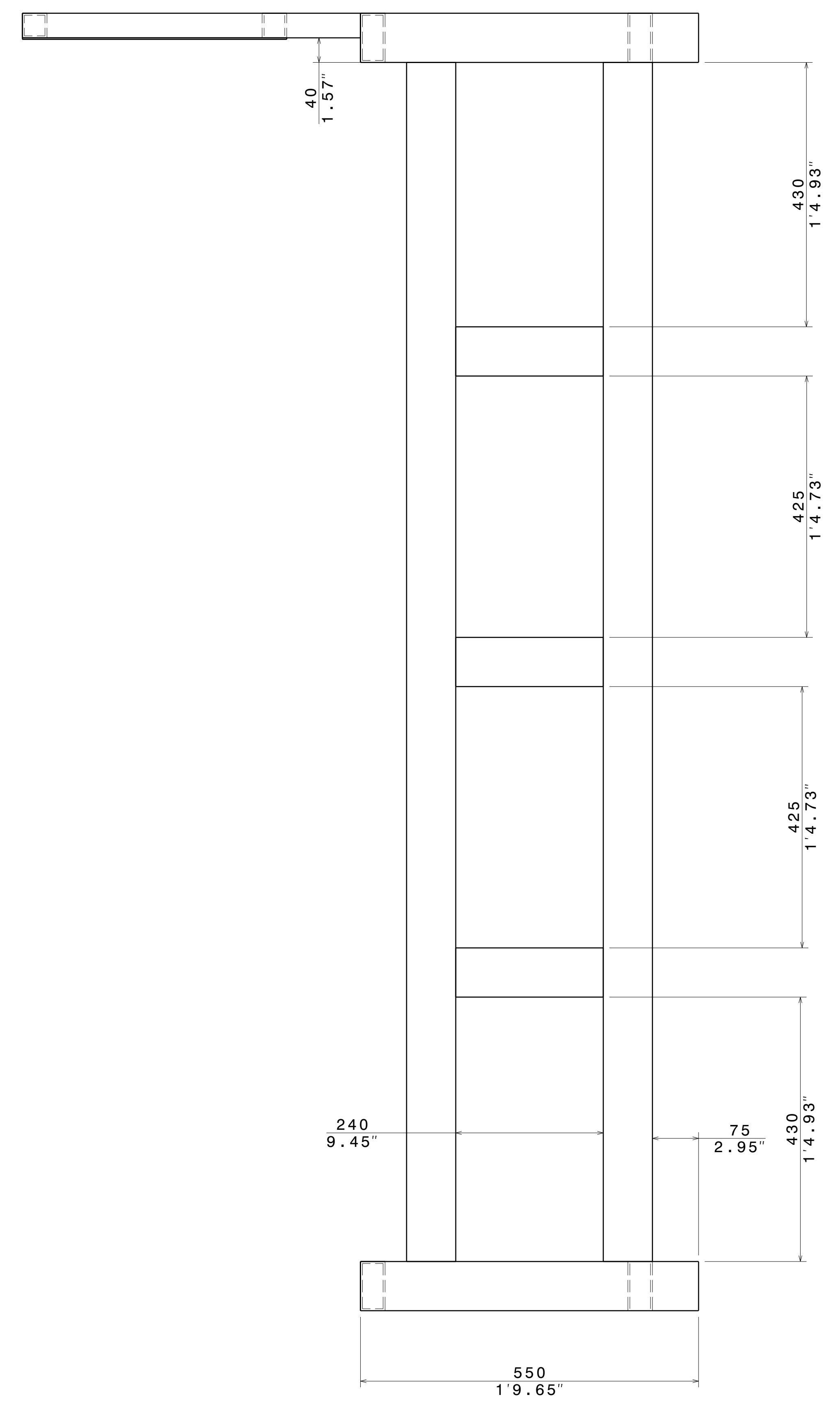
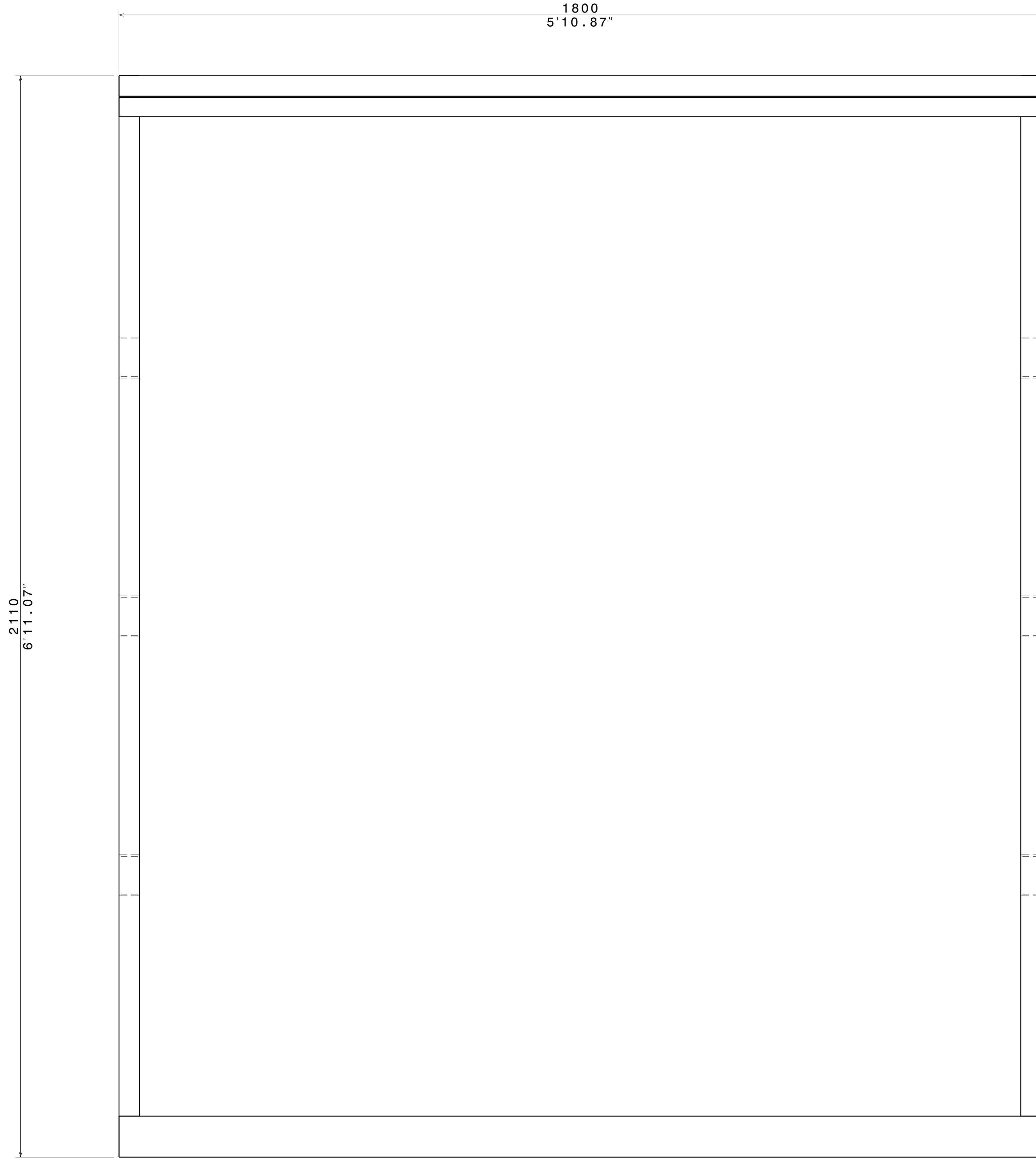
**APL APOLLO TUBES LTD.**

DRAWING TITLE: **BED1**

DRAWN BY: SB	DATE: 22/04/2020	CHECKED BY: P2P Analysis & Solutions	DATE: 22/04/2020	DESIGNED BY: P2P Analysis & Solutions	DATE: 22/04/2020	SIZE: A0	DRAWING NUMBER: P2P BED1	REV: 00
UNLESS OTHERWISE SPECIFIED DIMENSION ARE IN MM				VIEWS: THIRD ANGLE PROJECTION		SCALE: As Indicated	WEIGHT (kg): 0kg	SHEET 1 OF 5



REV	DATE	DESCRIPTION
00	22/04/2020	INITIAL REVISION

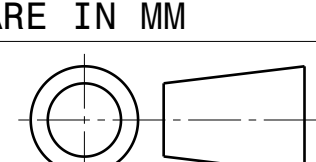


This drawing is our property. It can't be reproduced or communicated without our written agreement.

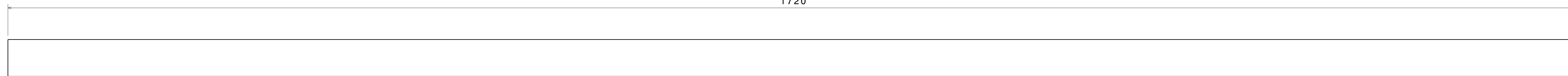
APL APOLLO TUBES LTD. 

DRAWN BY		DATE	DRAWING TITLE	
SB		22/04/2020	BED1	
CHECKED BY	DATE	SIZE	DRAWING NUMBER	REV
P2P Analysis & Solutions	22/04/2020	A0	P2P BED1	00
DESIGNED BY	DATE	SCALE	NONE	WEIGHT (kg)
P2P Analysis & Solutions	22/04/2020	XXX		

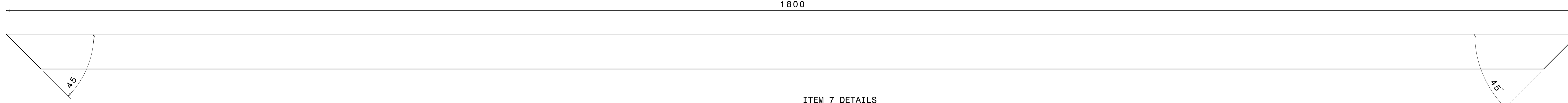
UNLESS OTHERWISE SPECIFIED DIMENSION ARE IN MM VIEWS: THIRD ANGLE PROJECTION



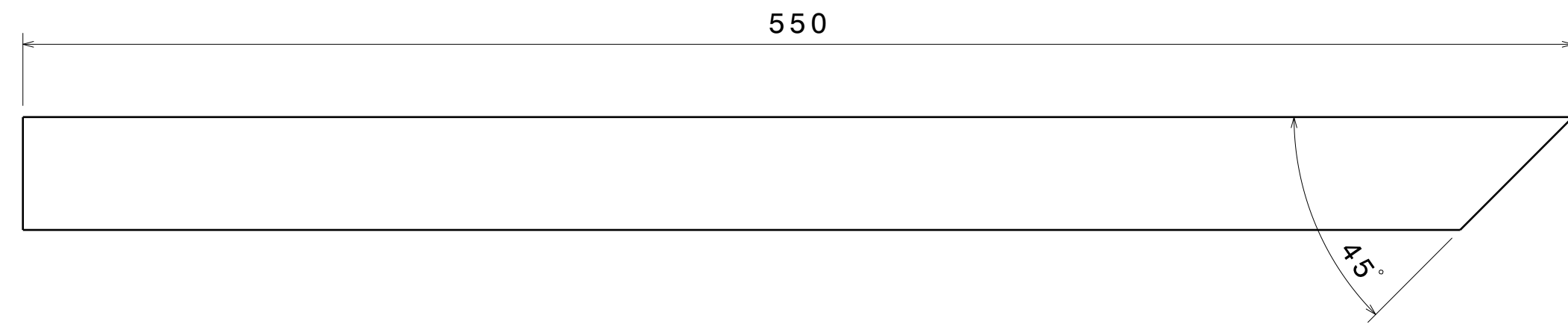
REV	DATE	DESCRIPTION
00	22/04/2020	INITIAL REVISION



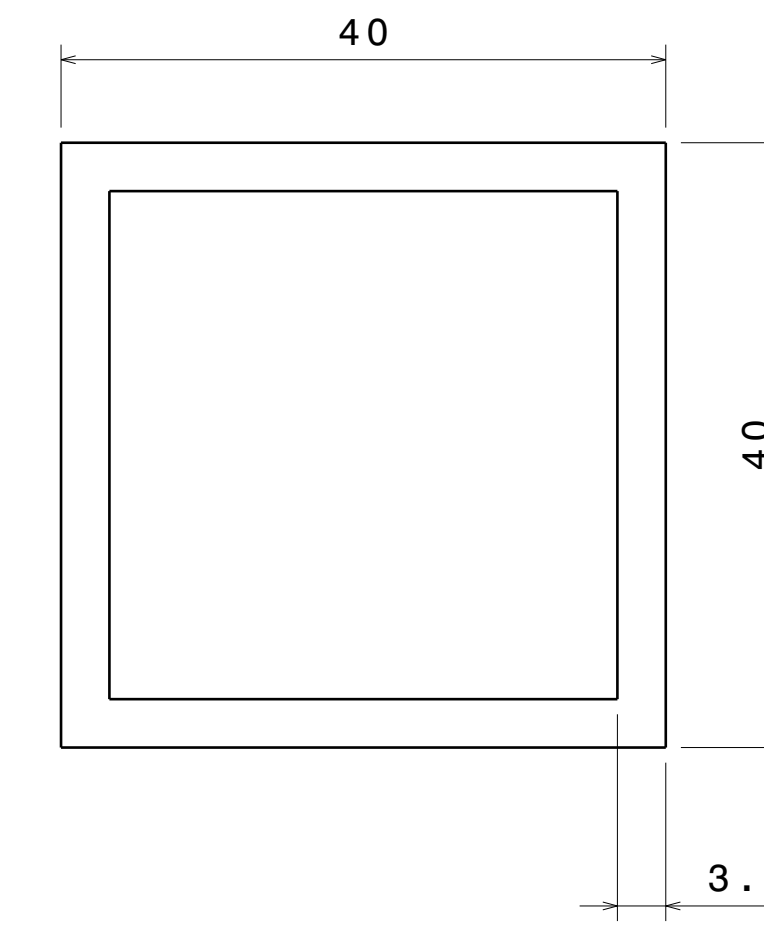
ITEM 8 DETAILS  
Rect Tube Bed1 Frame 8



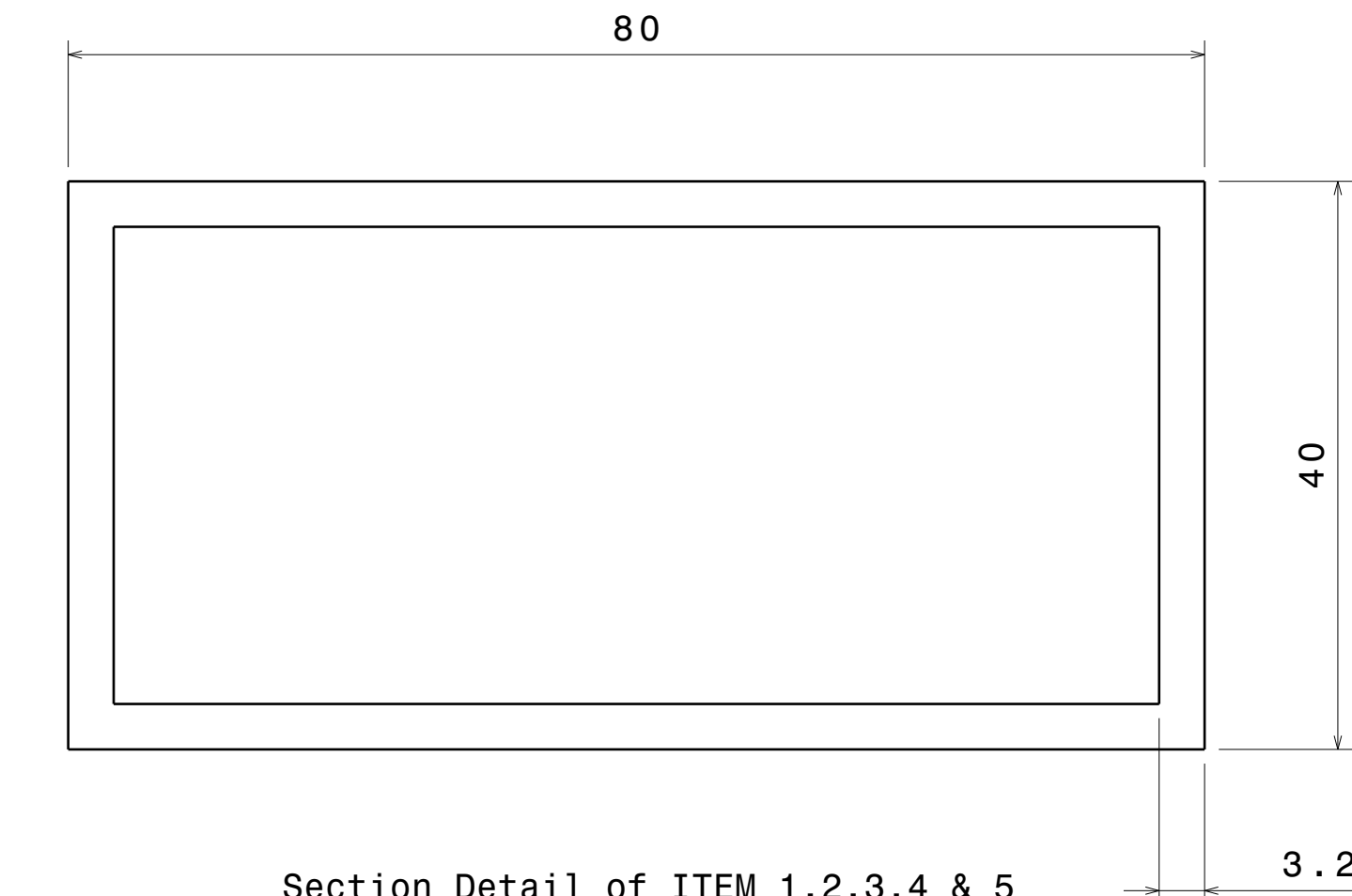
ITEM 7 DETAILS  
Rect Tube Bed1 Frame 7



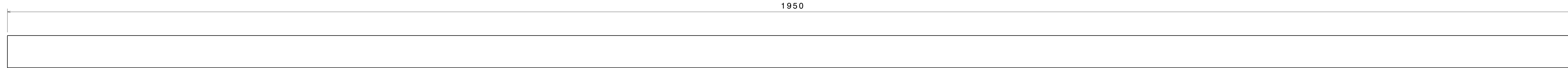
ITEM 6 DETAILS  
Rect Tube Bed1 Frame 6



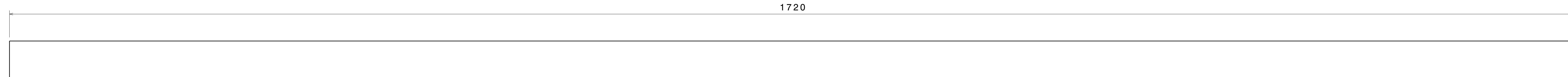
Section Detail of ITEM 6, 7 & 8  
Scale: 2:1



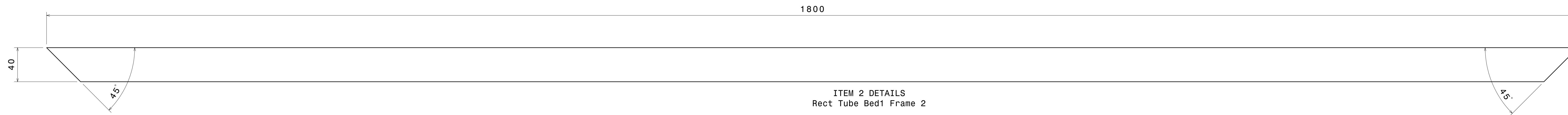
Section Detail of ITEM 1, 2, 3, 4 & 5  
Scale: 2:1



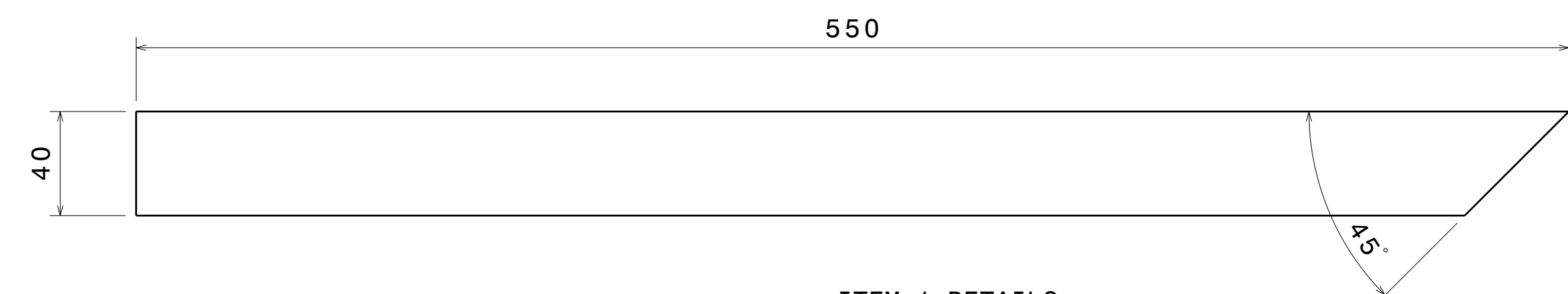
ITEM 4 DETAILS  
Rect Tube Bed1 Frame 4



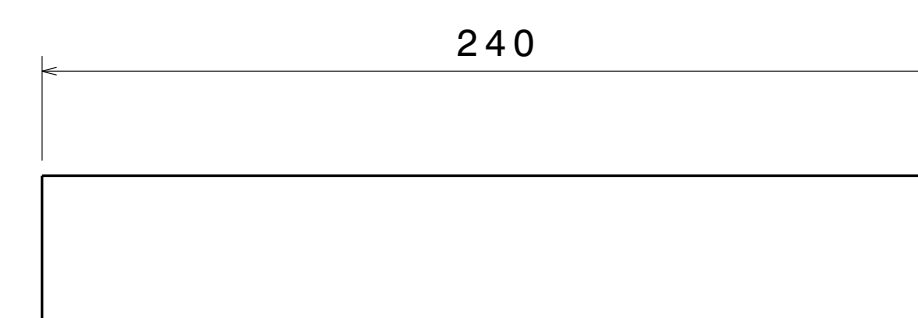
ITEM 3 DETAILS  
Rect Tube Bed1 Frame 3



ITEM 2 DETAILS  
Rect Tube Bed1 Frame 2

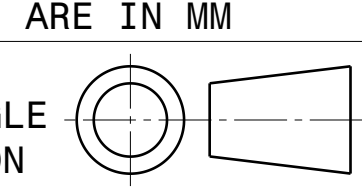


ITEM 1 DETAILS  
Rect Tube Bed1 Frame 1



ITEM 5 DETAILS  
Rect Tube Bed1 Frame 5

UNLESS OTHERWISE SPECIFIED DIMENSION ARE IN MM  
VIEWS: THIRD ANGLE PROJECTION



This drawing is our property. It can't be reproduced or communicated without our written agreement.

DRAWN BY	DATE
SB	22/04/2020
CHECKED BY	DATE
P2P Analysis & Solutions	22/04/2020
DESIGNED BY	DATE
P2P Analysis & Solutions	22/04/2020

APL APOLLO TUBES LTD. 			
DRAWING TITLE			
BED1			
SIZE	DRAWING NUMBER	REV	
A0	P2P BED1	00	
SCALE	NONE	WEIGHT (kg)	XXX
			SHEET 3 OF 5