

1

2

3

4

5

6

A

A

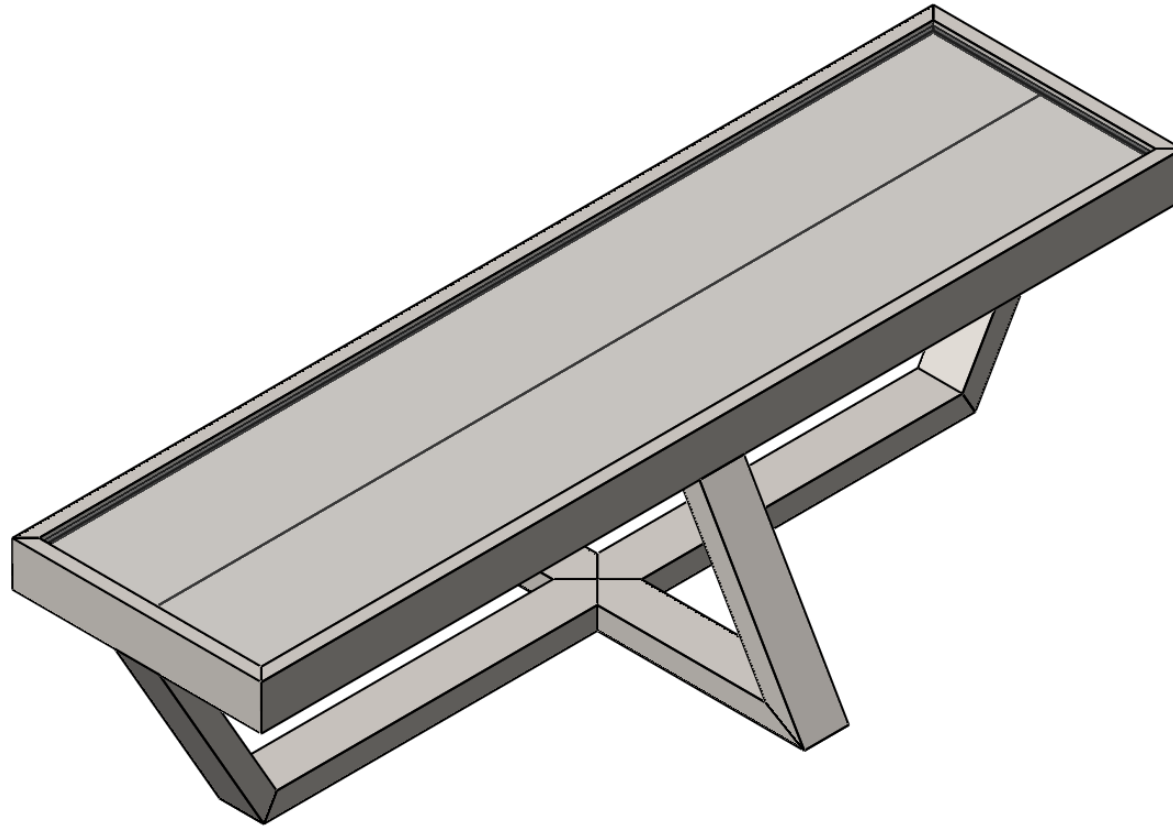
B

B

C

C

D



DO NOT SCALE DRAWING

REVISION

TITLE:

	NAME	SIGNATURE	DATE
DRAWN			
CHK'D			
APPVD			

DWG NO.

CENTER TABLE 12

SCALE:1:50

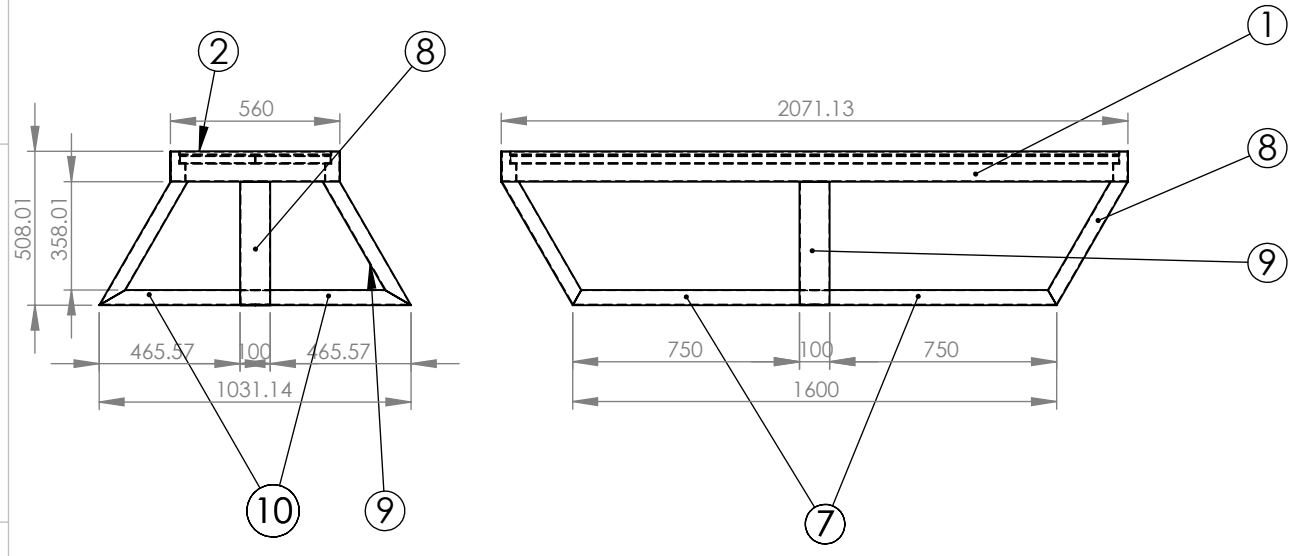
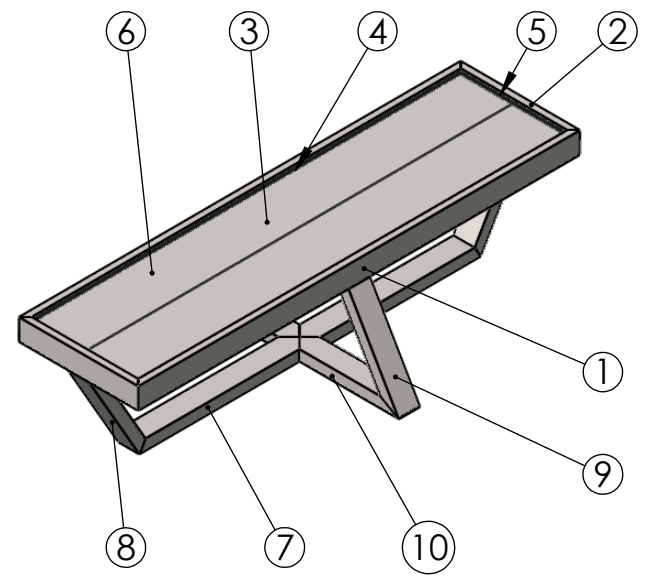
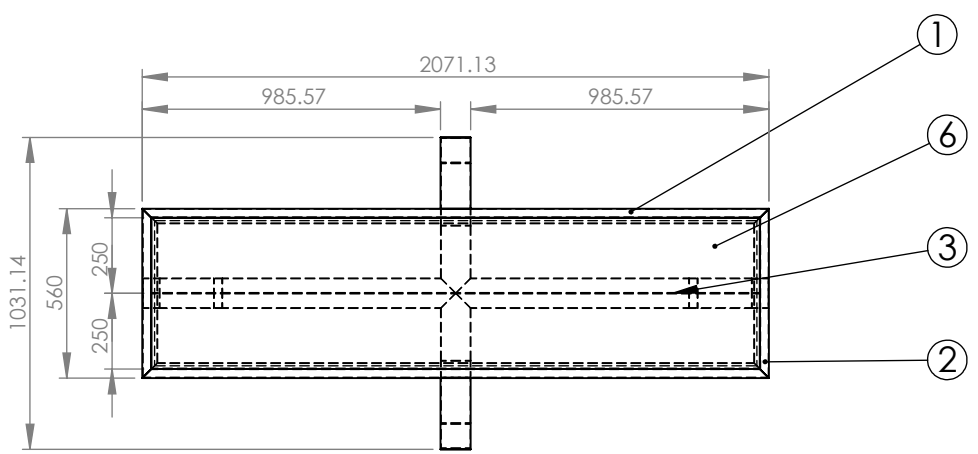
SHEET 1 OF 3

A4


1

2

3



ITEM NO.	PART NUMBER	DESCRIPTION	QTY.	LENGTH
1	SDF 100X50X2.0X2071.13 (2)	SDF	2	4142.26
2	SDF 100X50X2.0X560	SDF	2	1120
3	PLANK 250X25X2.0X2011.13	PLANK	2	4022.26
4	RUBBER 10X5X2011.13	RUBBER	2	
5	RUBBER 10X5X500	RUBBER	2	
6	TOUGHENED GLASS 2011.13X500X10	GLASS	1	
7	100X50X2.0X800	RHS	2	1600
8	100X50X2.0X471.13	RHS	2	942.26
9	100X50X2.0X500 (2)	RHS	2	1000
10	100X50X2.0X515.57	RHS	2	1031.14



DO NOT SCALE DRAWING

REVISION

TITLE:

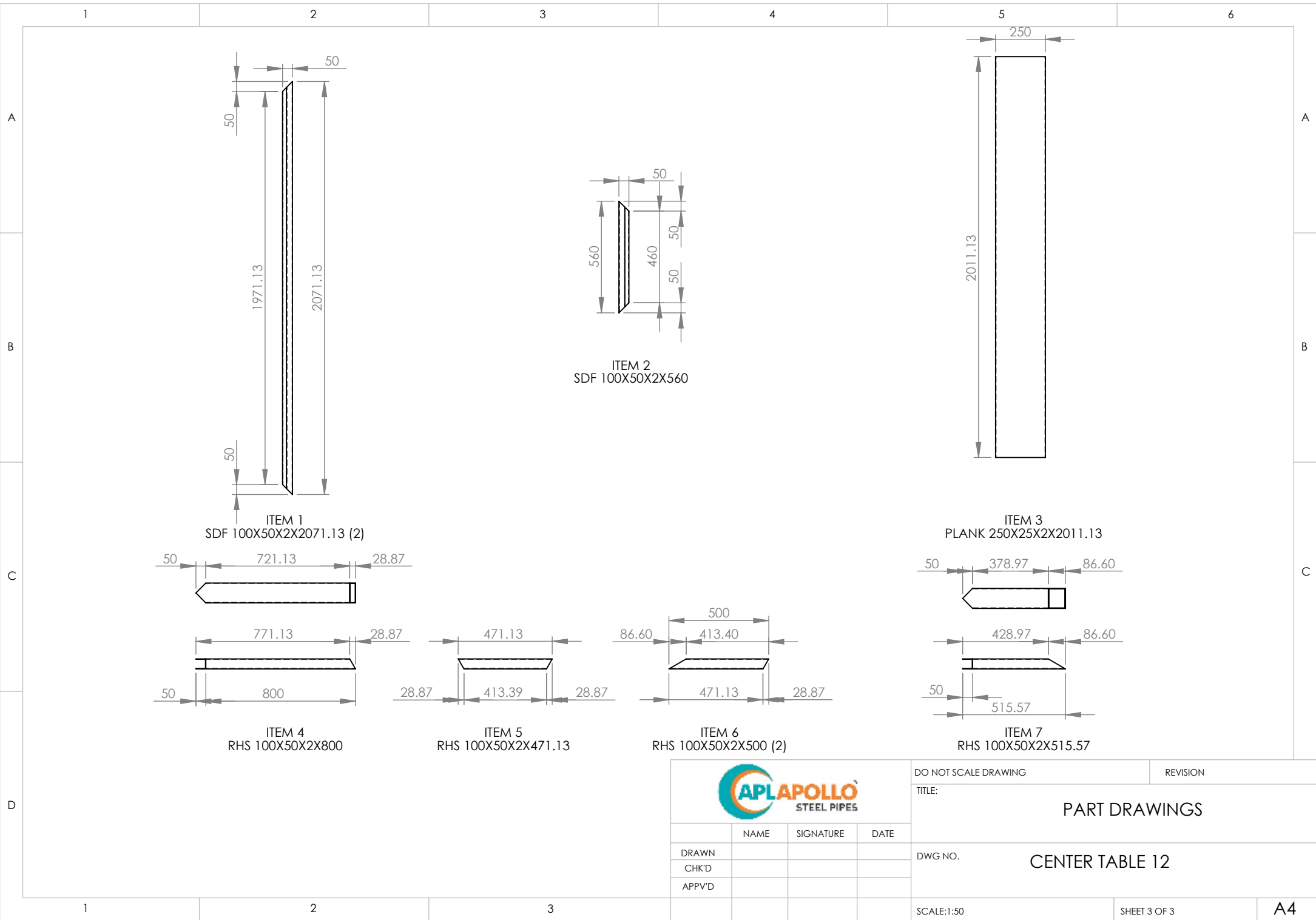
DRAWN	NAME	SIGNATURE	DATE
CHK'D			
APP'VD			

DWG NO. **CENTER TABLE 12**

SCALE:1:50

SHEET 2 OF 3

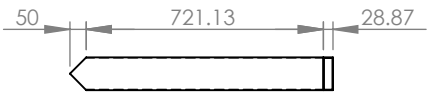
A4



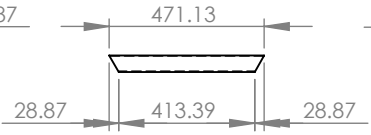
ITEM 1
SDF 100X50X2X2071.13 (2)

ITEM 2
SDF 100X50X2X560

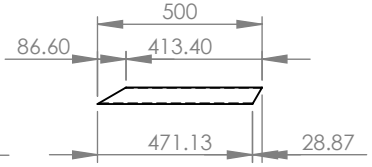
ITEM 3
PLANK 250X25X2X2011.13



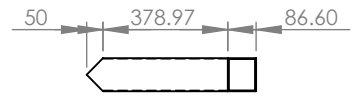
ITEM 4
RHS 100X50X2X800



ITEM 5
RHS 100X50X2X471.13



ITEM 6
RHS 100X50X2X500 (2)



ITEM 7
RHS 100X50X2X515.57

		DO NOT SCALE DRAWING		REVISION
		TITLE: PART DRAWINGS		
NAME	SIGNATURE	DATE	DWG NO. CENTER TABLE 12	
DRAWN				
CHK'D				
APPVD			SCALE:1:50	SHEET 3 OF 3