

1

2

3

4

5

6

A

A

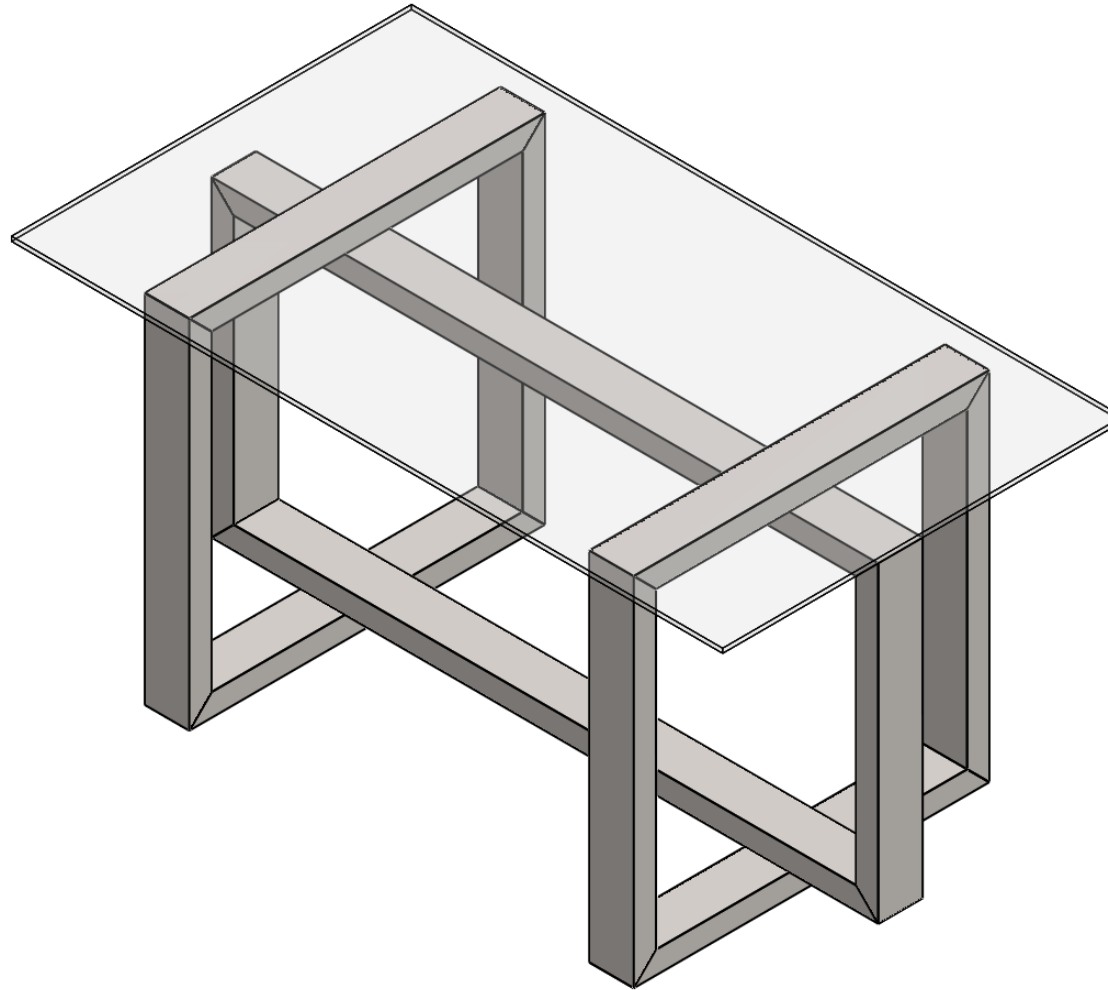
B

B

C

C

D



DO NOT SCALE DRAWING

REVISION

TITLE:

	NAME	SIGNATURE	DATE
DRAWN			
CHK'D			
APPVD			

DWG NO.

CENTER TABLE 3

SCALE:1:20

SHEET 1 OF 3

A4

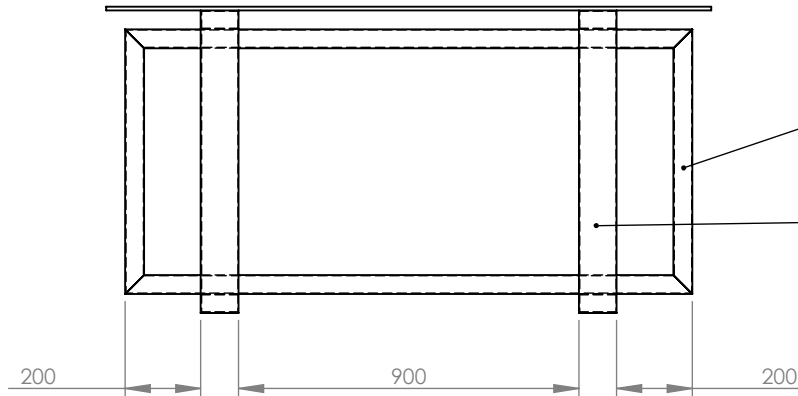
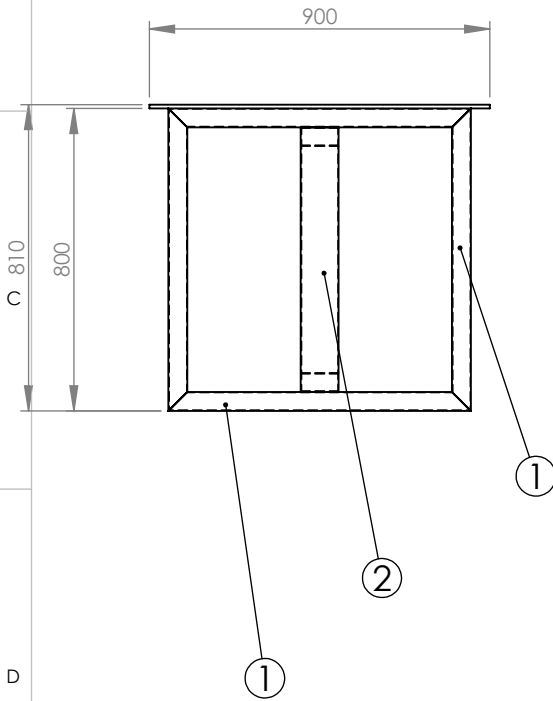
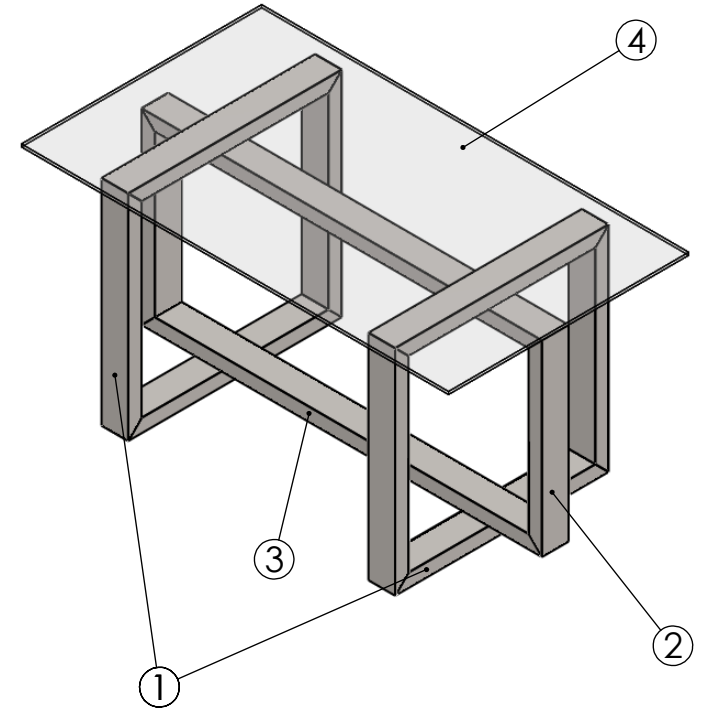
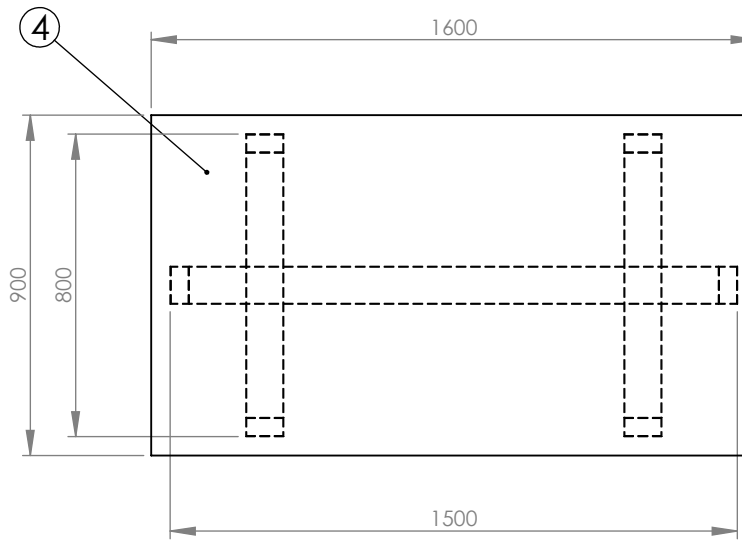
1

2

3

NOTE :-

- ALL VERTICAL AND HORIZONTAL SUPPORTS ARE PERFECTLY 90°.
- ∇∇ SURFACE FINISH, MEDIUM TO SMOOTH IS USED.
- ALL TUBES ARE AS PER APL APOLLO STANDARD.
- FINE WELDING IS REQUIRED AS PER MENTION DETAILS AND FINISHING.
- JOINTS ARE WELD TOGETHER BY THE HIGH ACCURACY MIG WELDING.
- ALL DIMENSIONS ARE IN MM.
- HIGHER CURRENT WELDING MAY EFFECT THE BRITTLNESS OF MATERIAL WHICH MAY RAISE TO WEAKENING OF STRUCTURE.



ITEM NO.	PART NUMBER	DESCRIPTION	QTY.	LENGTH
1	100X50X2X800	RHS	8	6400
2	100X50X2X700	RHS	2	1400
3	100X50X2X1500	RHS	2	3000
4	TOUGHENED GLASS 1600X900X10	GLASS	1	



DO NOT SCALE DRAWING

REVISION

TITLE:

	NAME	SIGNATURE	DATE
DRAWN			
CHK'D			
APPVD			

DRAWN
CHK'D
APPVD

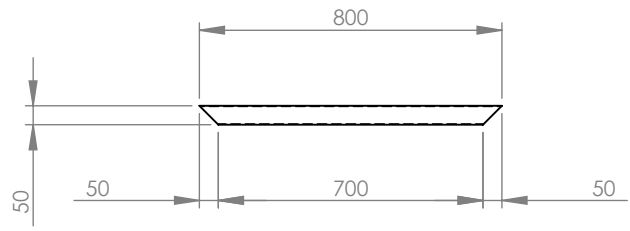
DWG NO.

CENTER TABLE 3

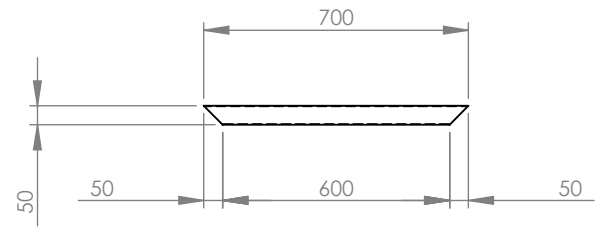
SCALE:1:20

SHEET 2 OF 3

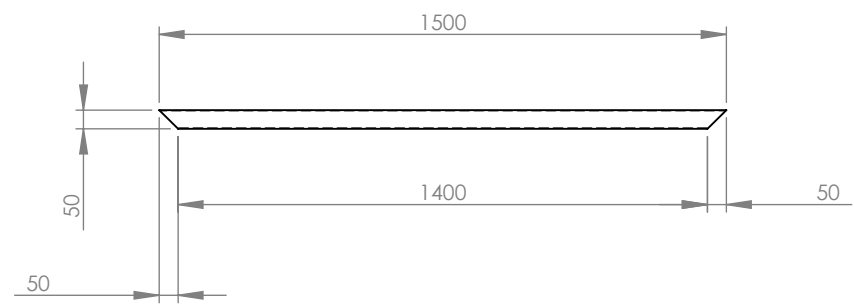
A4



ITEM 1
RHS 100X50X2.0X800



ITEM 2
RHS 100X50X2.0X700



ITEM 3
RHS 100X50X2.0X1500



DO NOT SCALE DRAWING			REVISION
TITLE: PART DRAWINGS			
DWG NO.			CENTER TABLE 3
SCALE:1:20			SHEET 3 OF 3

	NAME	SIGNATURE	DATE
DRAWN			
CHK'D			
APPVD			