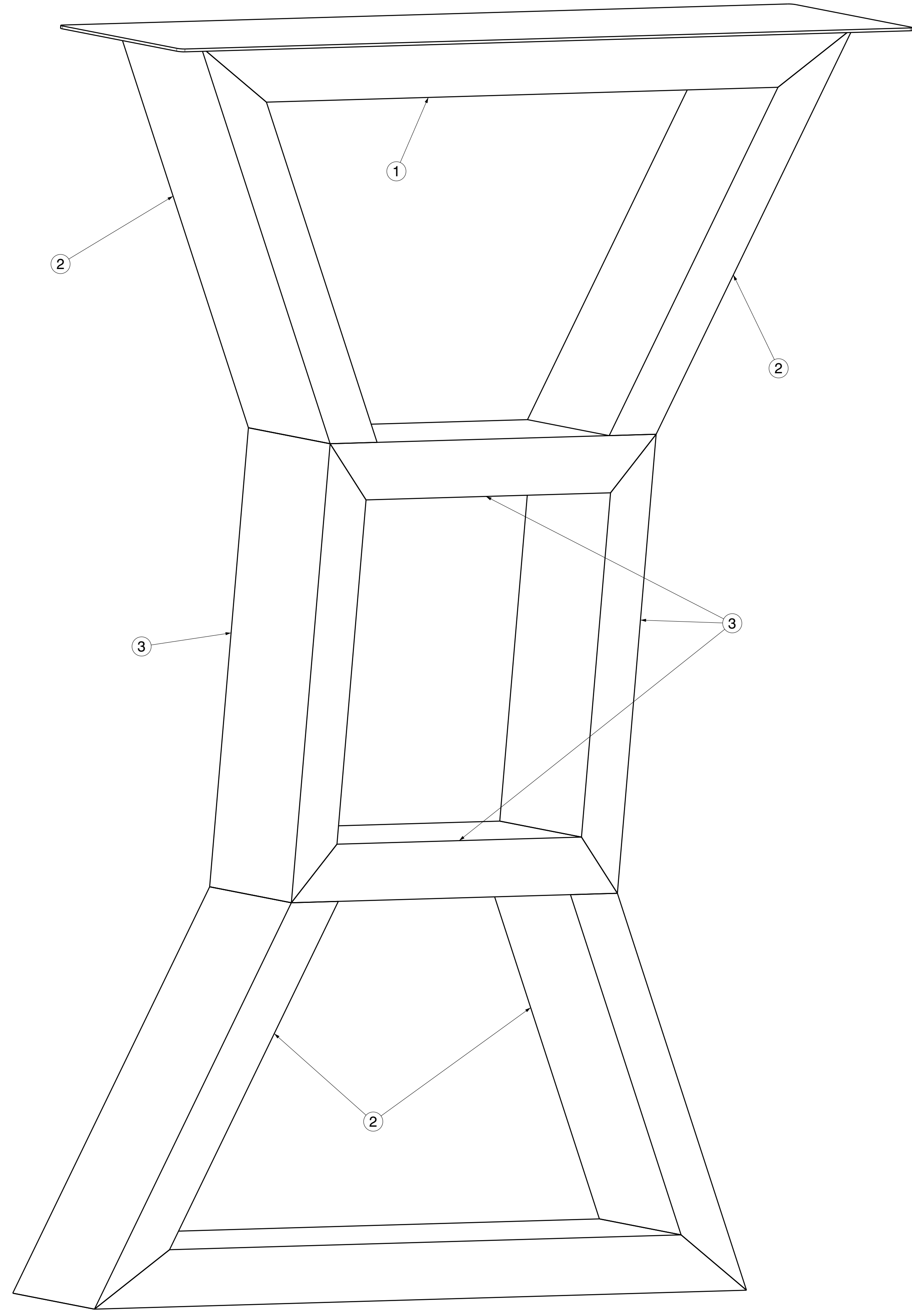


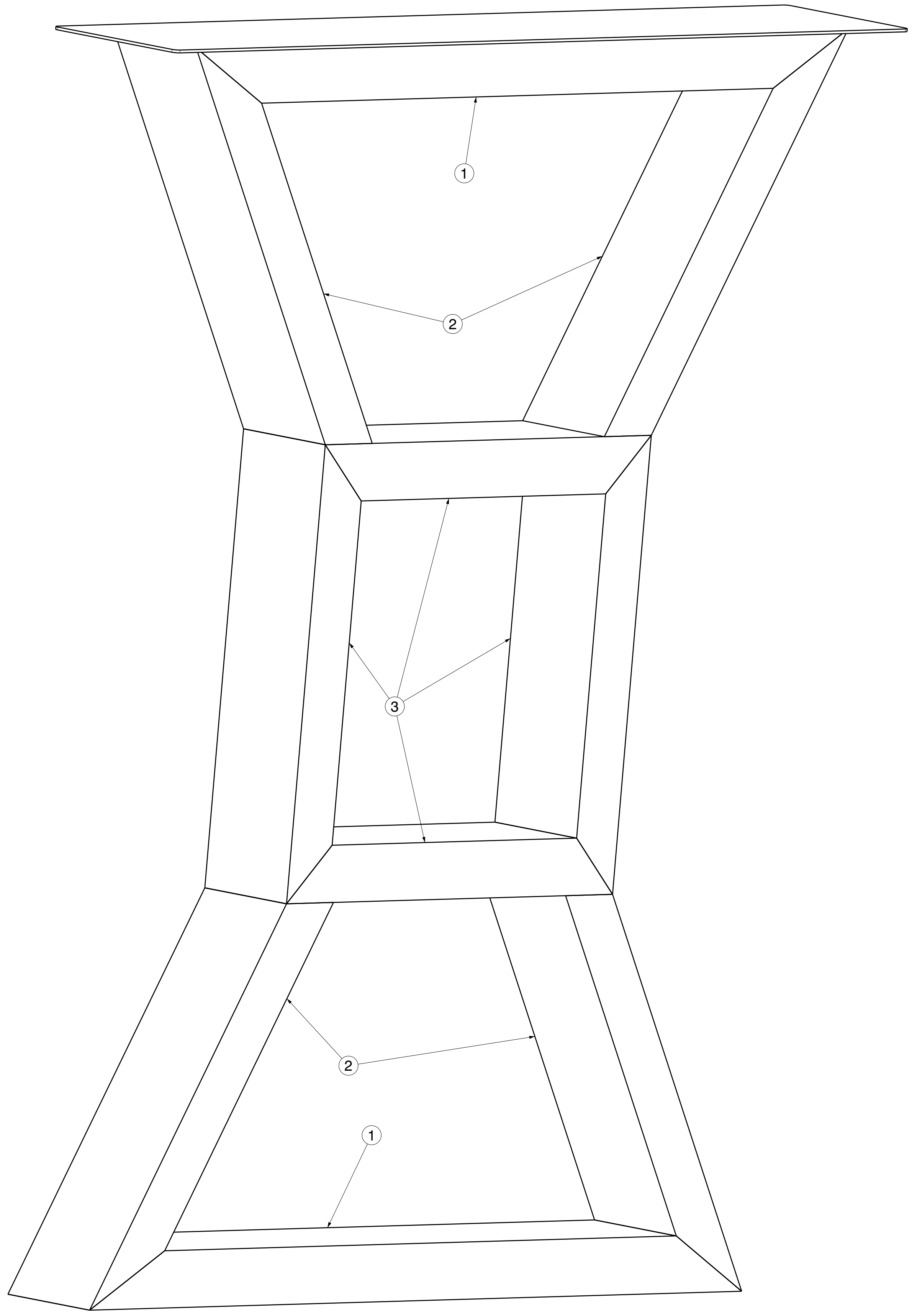
REV/DATE	DESCRIPTION
00 / 19/04/2020	INITIAL REVISION

NOTES:

1. (⊥) ALL VERTICAL SUPPORTS ARE PERPENDICULAR.
2. □ FLATNESS OF .5MM IS APPLIED BY DEFAULT.
3. ∇ WELD BEAD OF 2MM RADIUS IS FOLLOWED.
4. ∇∇ SURFACE FINISH MEDIUM TO SMOOTH IS USED.
5. ALL TUBES ARE AS PER APL APOLLO STANDARD. CHANGES MAY EFFECT THE LOAD CAPACITY.
6. ALL HORIZONTAL AND VERTICAL TUBES ARE PERPENDICULAR TO EACH OTHER WITH ±1 DEG.
7. FINE WELDING IS REQUIRED AS PER MENTIONED DETAILS AND FINISHING.
8. HIGHER CURRENT WELDING MAY AFFECT THE BRITTLENESS OF MATERIAL WHICH LATER MAY RAISE TO WEAKENING OF STRUCTURE.
9. FABRICATORS ARE ALLOWED TO USE FITTINGS/FRAMES/SUPPORTS AS NEEDED AND THE SAME MUST BE COMMUNICATED BACK TO ENGINEERING TEAM.
10. LENGTH OF ALL LONGITUDINAL FRAMES ARE FOR REFERENCE ONLY AND SUBJECTED TO CHANGE PER REQUIREMENT.




Isometric view



ITEM NO.	PART NUMBER	DESCRIPTION	QTY.	Wt (kg) /Each
4	Plate -BOP	900 X 150, T=2.5	2	2.6
3	Rect Tube Table Leg Frame 3	100 X 50 X 3.6 X 400	8	2.8
2	Rect Tube Table Leg Frame 2	100 X 50 X 3.6 X 432	8	3
1	Rect Tube Table Leg Frame 1	100 X 50 X 3.6 X 800	4	5.8

This drawing is our property. It can't be reproduced or communicated without our written agreement.

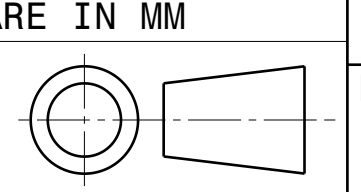
APL APOLLO TUBES LTD. 

DRAWING TITLE: **TABLE_LEG**

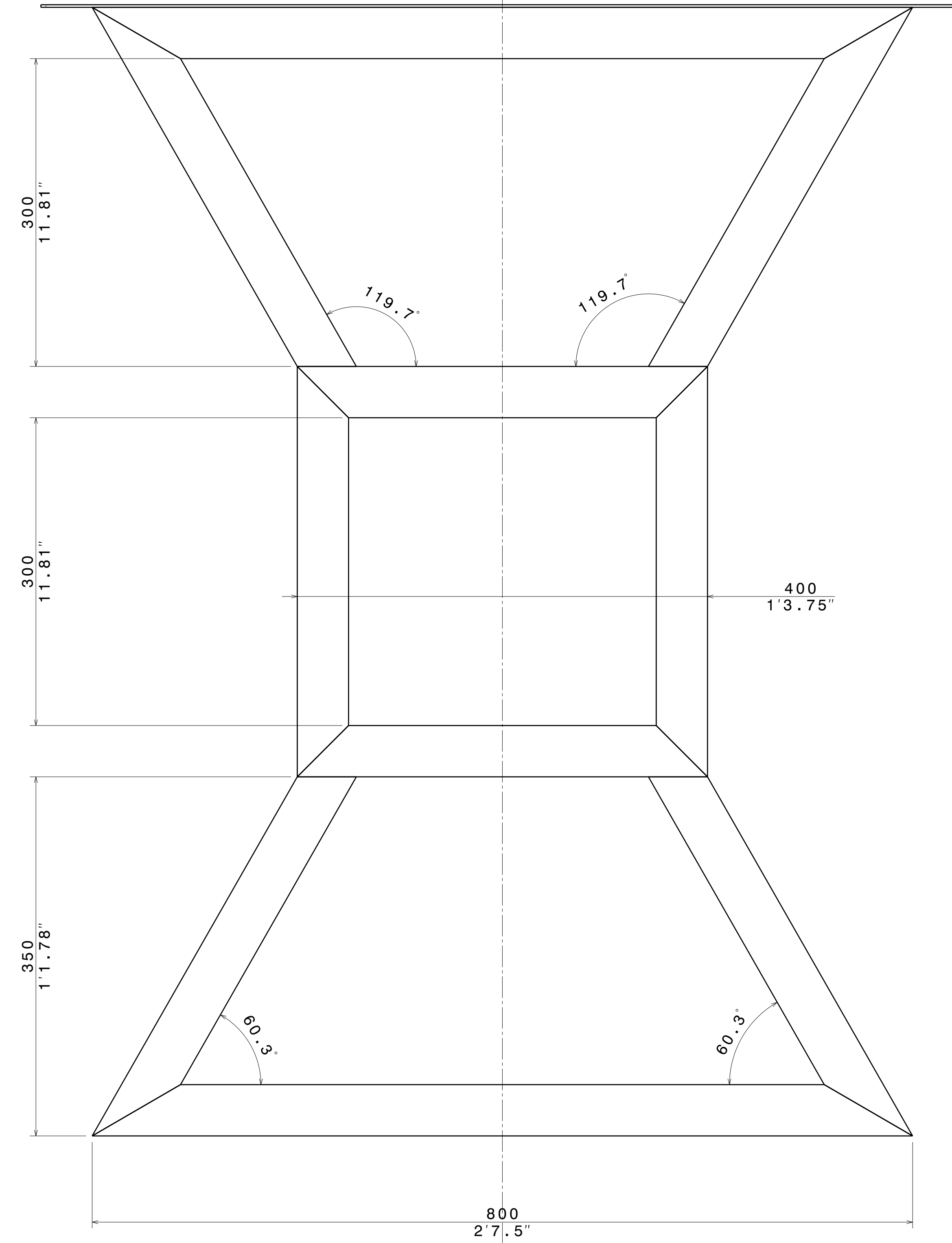
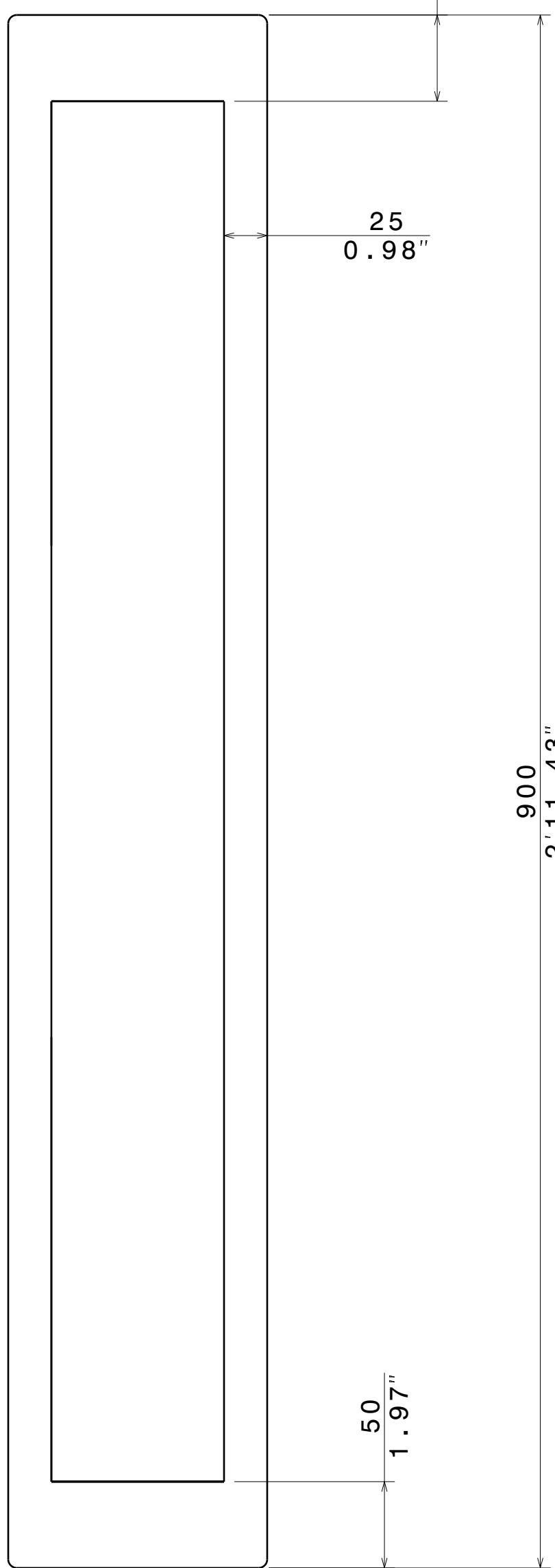
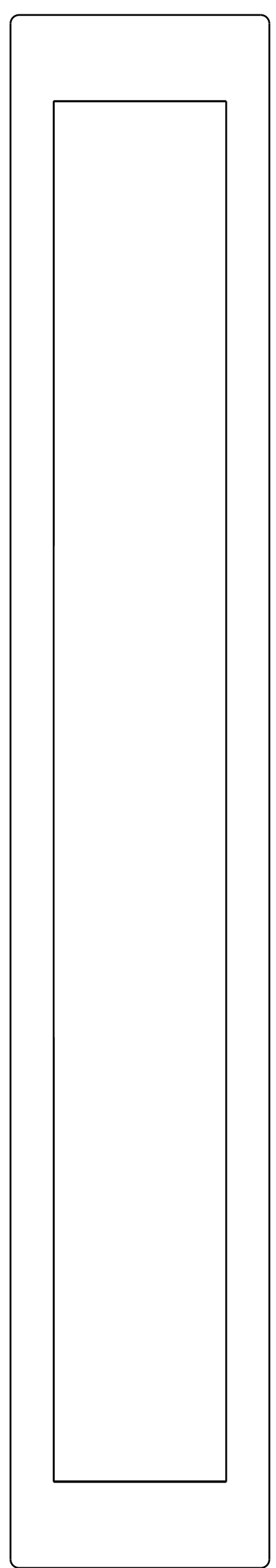
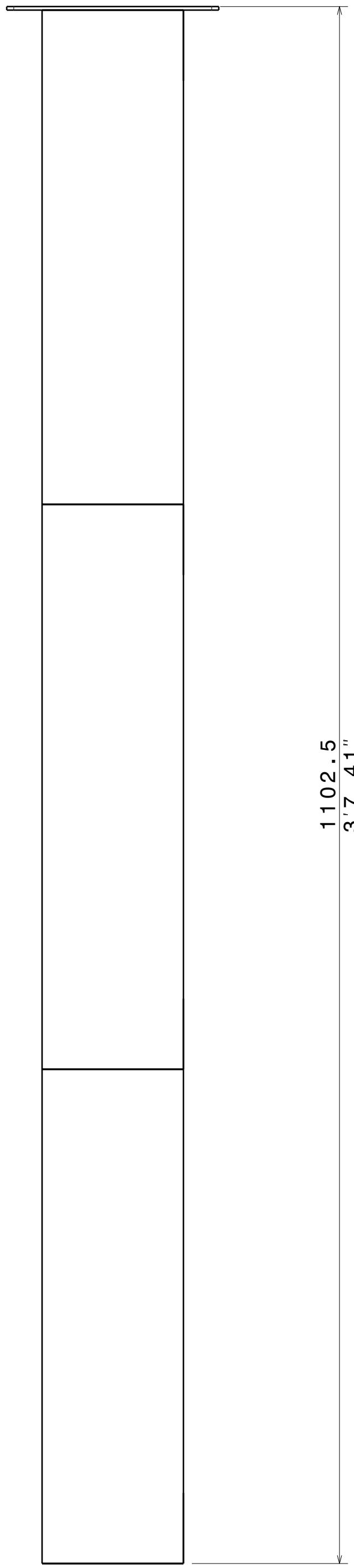
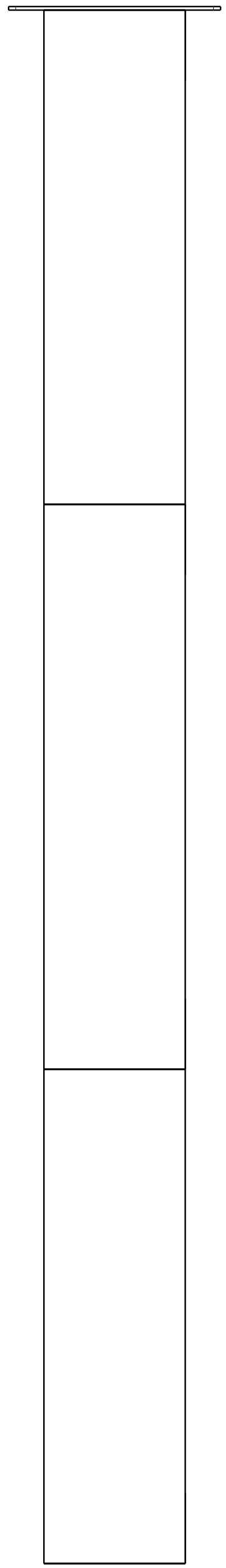
DRAWN BY: SB	DATE: 19/04/2020	CHECKED BY: P2P Analysis & Solutions	DATE: 19/04/2020	DESIGNED BY: P2P Analysis & Solutions	DATE: 19/04/2020
--------------	------------------	--------------------------------------	------------------	---------------------------------------	------------------

SIZE: A0	DRAWING NUMBER: P2P_TABLE_LEGS	REV: 00
SCALE: As Indicated	WEIGHT (kg): 0kg	SHEET 1 OF 5

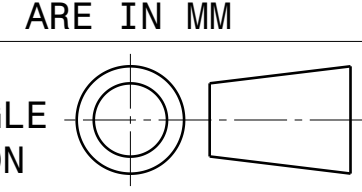
UNLESS OTHERWISE SPECIFIED DIMENSION ARE IN MM
 VIEWS: THIRD ANGLE PROJECTION



REV	DATE	DESCRIPTION
00	19/04/2020	INITIAL REVISION




UNLESS OTHERWISE SPECIFIED DIMENSION ARE IN MM VIEWS: THIRD ANGLE PROJECTION

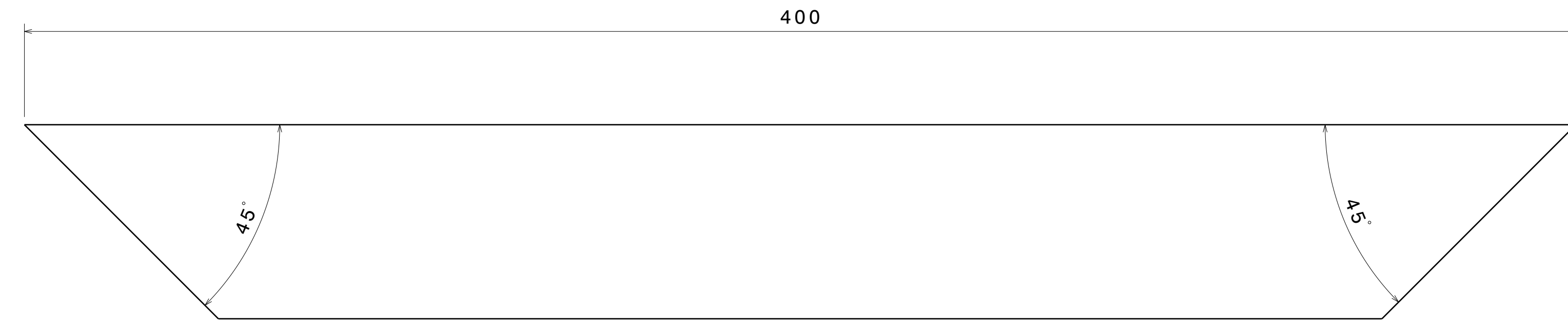


This drawing is our property. It can't be reproduced or communicated without our written agreement.

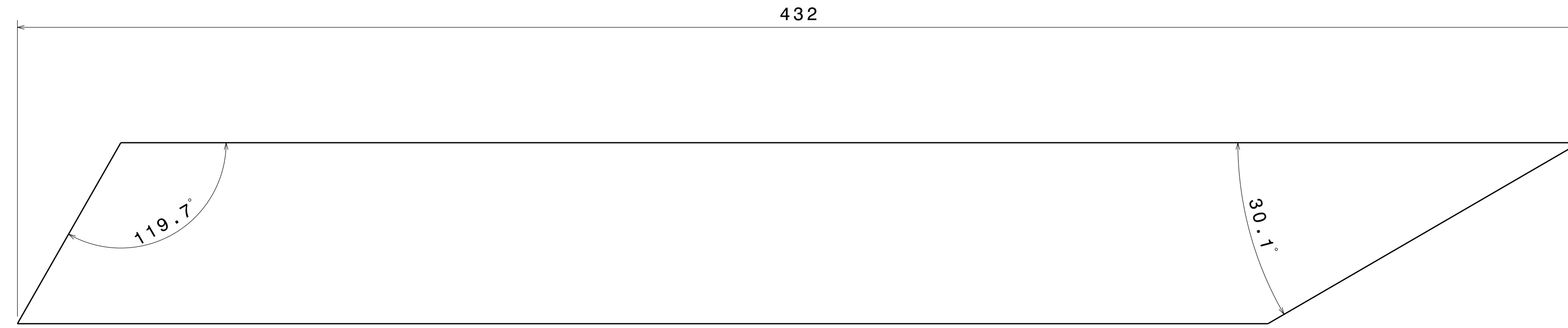
DRAWN BY	DATE
SB	19/04/2020
CHECKED BY	DATE
P2P Analysis & Solutions	19/04/2020
DESIGNED BY	DATE
P2P Analysis & Solutions	19/04/2020

APL APOLLO TUBES LTD. 	
DRAWING TITLE	
TABLE_LEG	
SIZE	DRAWING NUMBER
A0	P2P_TABLE_LEGS
SCALE	WEIGHT (kg)
NONE	XXX
REV	SHEET 2 OF 5
00	1

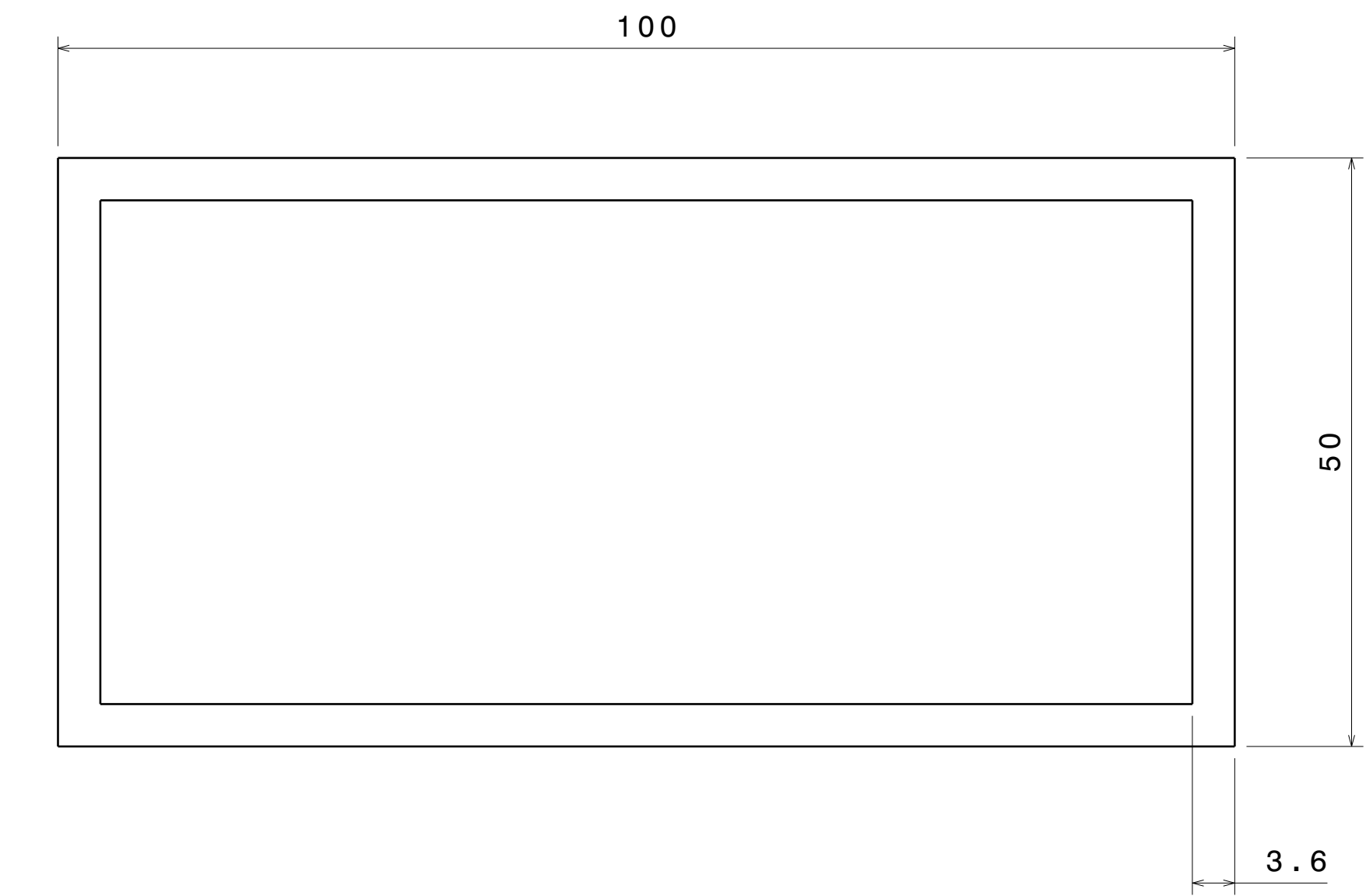
REV	DATE	DESCRIPTION
00	19/04/2020	INITIAL REVISION



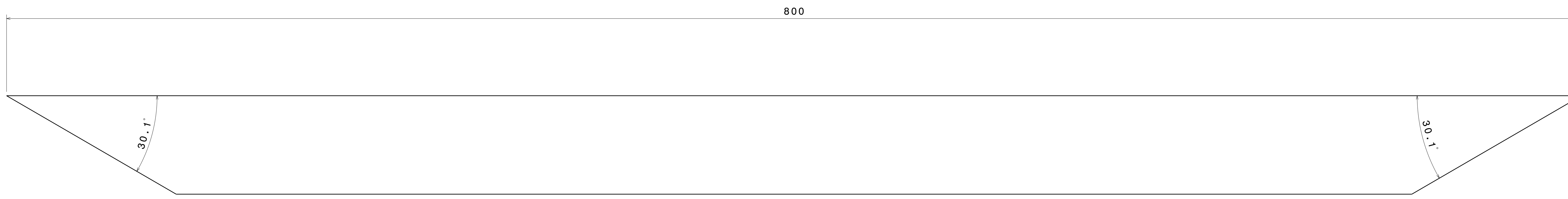
ITEM 3 DETAILS
Rect Tube Table Leg Frame 3



ITEM 3 DETAILS
Rect Tube Table Leg Frame 2



Section Detail of ITEM 1,2 & 3
Scale: 2:1



ITEM 1 DETAILS
Rect Tube Table Leg Frame 1

UNLESS OTHERWISE SPECIFIED DIMENSION ARE IN MM
VIEWS: THIRD ANGLE PROJECTION

This drawing is our property. It can't be reproduced or communicated without our written agreement.		APL APOLLO TUBES LTD.	
DRAWN BY SB		DATE 19/04/2020	
CHECKED BY P2P Analysis & Solutions		DATE 19/04/2020	
DESIGNED BY P2P Analysis & Solutions		DATE 19/04/2020	
SIZE A0	DRAWING NUMBER P2P_TABLE LEGS		REV 00
SCALE NONE	WEIGHT (kg)	XXX	SHEET 3 OF 5