

1 2 3 4 5 6

A

A

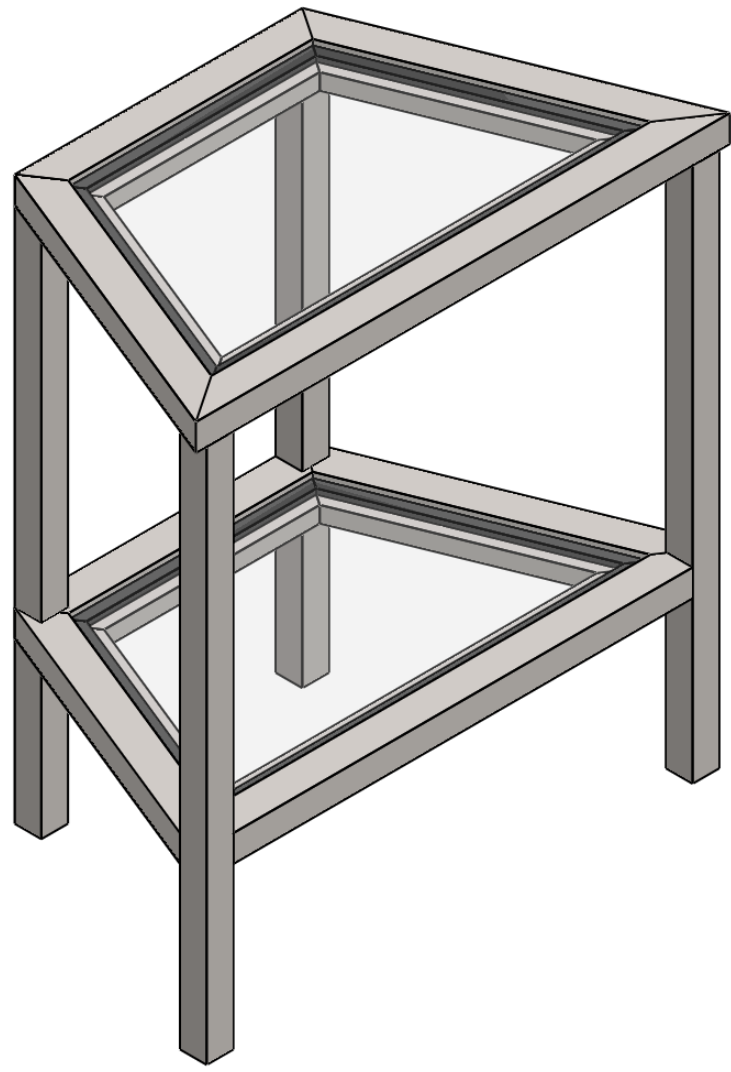
B


B

C

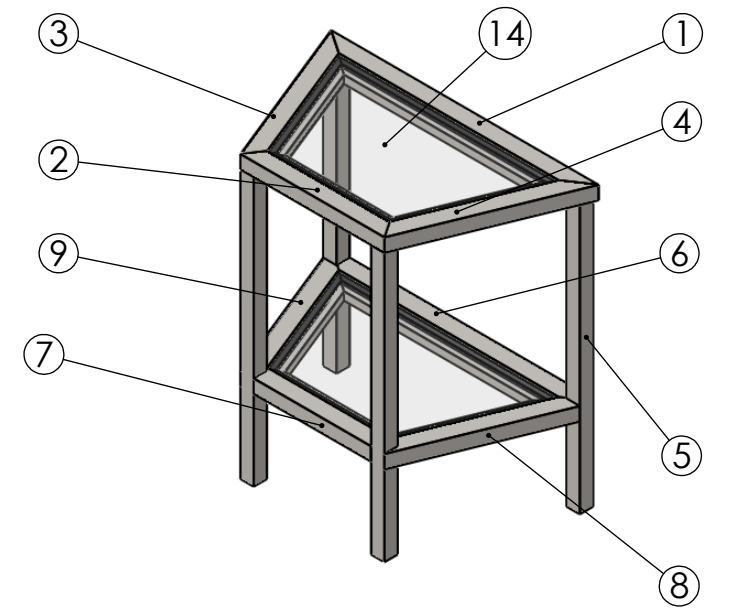
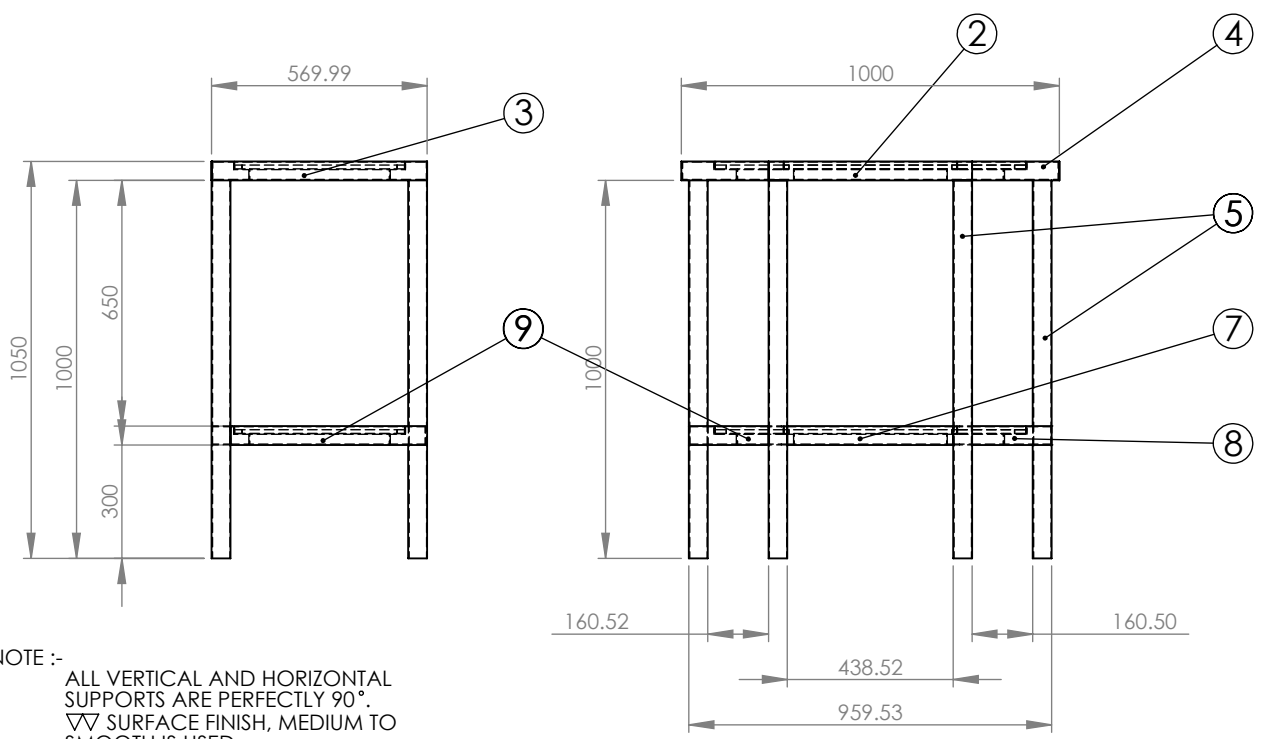
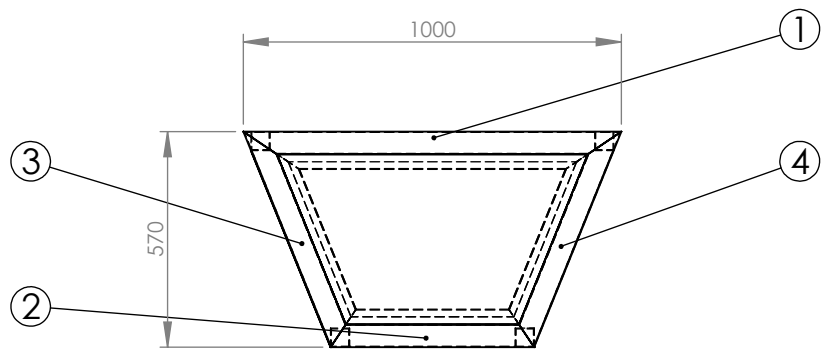
C

D



			DO NOT SCALE DRAWING		REVISION
			TITLE:		
	NAME	SIGNATURE	DATE	DWG NO. SIDE TABLE 2	
DRAWN					
CHK'D					
APPVD				SCALE:1:20	SHEET 1 OF 3
			A4		

1 2 3 4 5 6

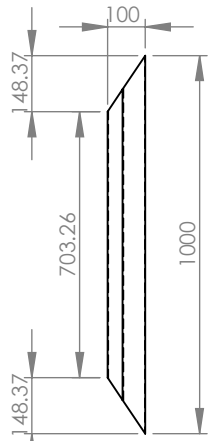


- NOTE :-**
- ALL VERTICAL AND HORIZONTAL SUPPORTS ARE PERFECTLY 90°.
 - ∇∇ SURFACE FINISH, MEDIUM TO SMOOTH IS USED.
 - ALL TUBES ARE AS PER APL APOLLO STANDARD.
 - FINE WELDING IS REQUIRED AS PER MENTION DETAILS AND FINISHING.
 - JOINTS ARE WELD TOGETHER BY THE HIGH ACCURACY MIG WELDING.
 - ALL DIMENSIONS ARE IN MM.
 - HIGHER CURRENT WELDING MAY EFFECT THE BRITTLENESS OF MATERIAL WHICH MAY RAISE TO WEAKENING OF STRUCTURE.

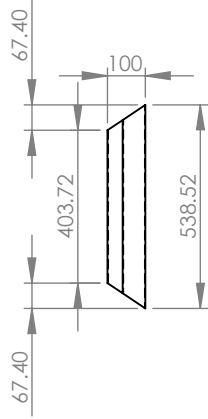
ITEM NO.	PART NUMBER	DESCRIPTION	QTY.	LENGTH
1	SDF 100X50X2.0X1000	SDF	1	1000
2	SDF 100X50X2.0X538.52	SDF	1	538.52
3	SDF 100X50X2.0X614.93 (2)	SDF	1	614.93
4	SDF 100X50X2.0X614.93	SDF	1	614.93
5	50X50X2X1000 (3)	SHS	4	4000
6	SDF 100X50X2.0X1000 (2)	SDF	1	1000
7	SDF 100X50X2.0X538.52 (2)	SDF	1	538.52
8	SDF 100X50X2.0X614.93 (3)	SDF	1	614.93
9	SDF 100X50X2.0X614.93 (4)	SDF	1	614.93
10	RUBBER 20X10X821.96	RUBBER	2	
11	RUBBER 20X10X485.47	RUBBER	2	
12	RUBBER 20X10X457.64	RUBBER	2	
13	RUBBER 20X10X485.47 (2)	RUBBER	2	
14	TOUGHENED GLASS 821.96X457.64X10	GLASS	2	



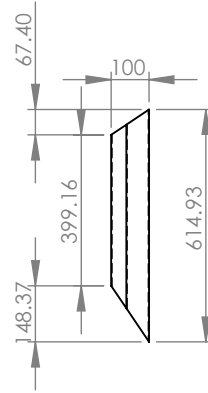
DO NOT SCALE DRAWING			REVISION
TITLE:			
NAME	SIGNATURE	DATE	
DRAWN			
CHK'D			
APPV'D			
DWG NO.			SIDE TABLE 2
SCALE:1:20			SHEET 2 OF 3
			A4



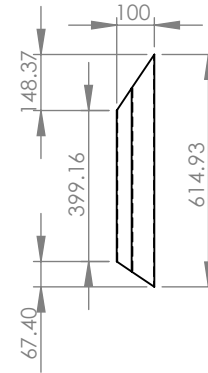
ITEM 1
SDF 100X50X2.0X1000



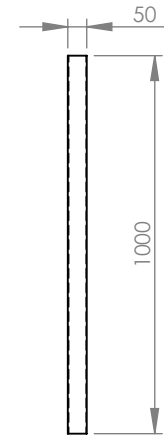
ITEM 2
SDF 100X50X2.0X538.52



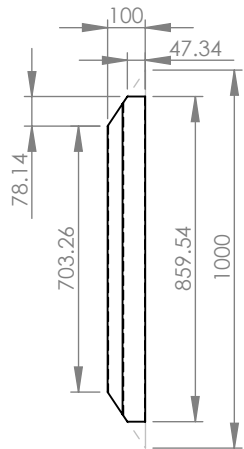
ITEM 3
SDF 100X50X2.0X614.93 (2)



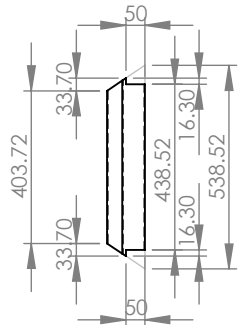
ITEM 4
SDF 100X50X2.0X614.93



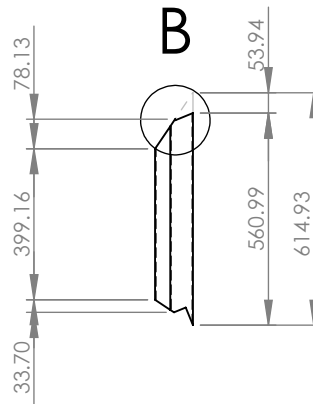
ITEM 5
SHS 50X50X2.0X1000 (3)



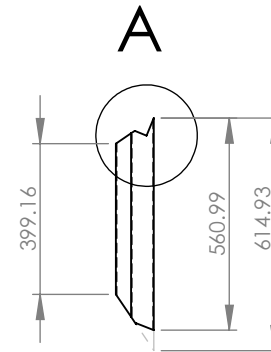
ITEM 6
SDF 100X50X2.0X1000 (2)



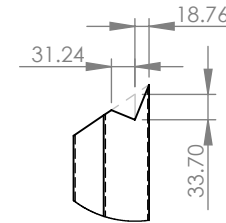
ITEM 7
SDF 100X50X2.0X538.52 (2)



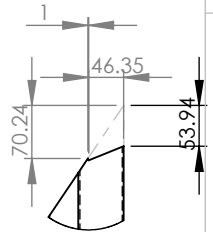
ITEM 8
SDF 100X50X2.0X614.93 (3)



ITEM 9
SDF 100X50X2.0X614.93 (4)



DETAIL A



DETAIL B



DO NOT SCALE DRAWING

REVISION

TITLE:

PART DRAWINGS

NAME SIGNATURE DATE

DRAWN

CHK'D

APPVD

DWG NO.

SIDE TABLE 2

SCALE:1:20

SHEET 3 OF 3

A4