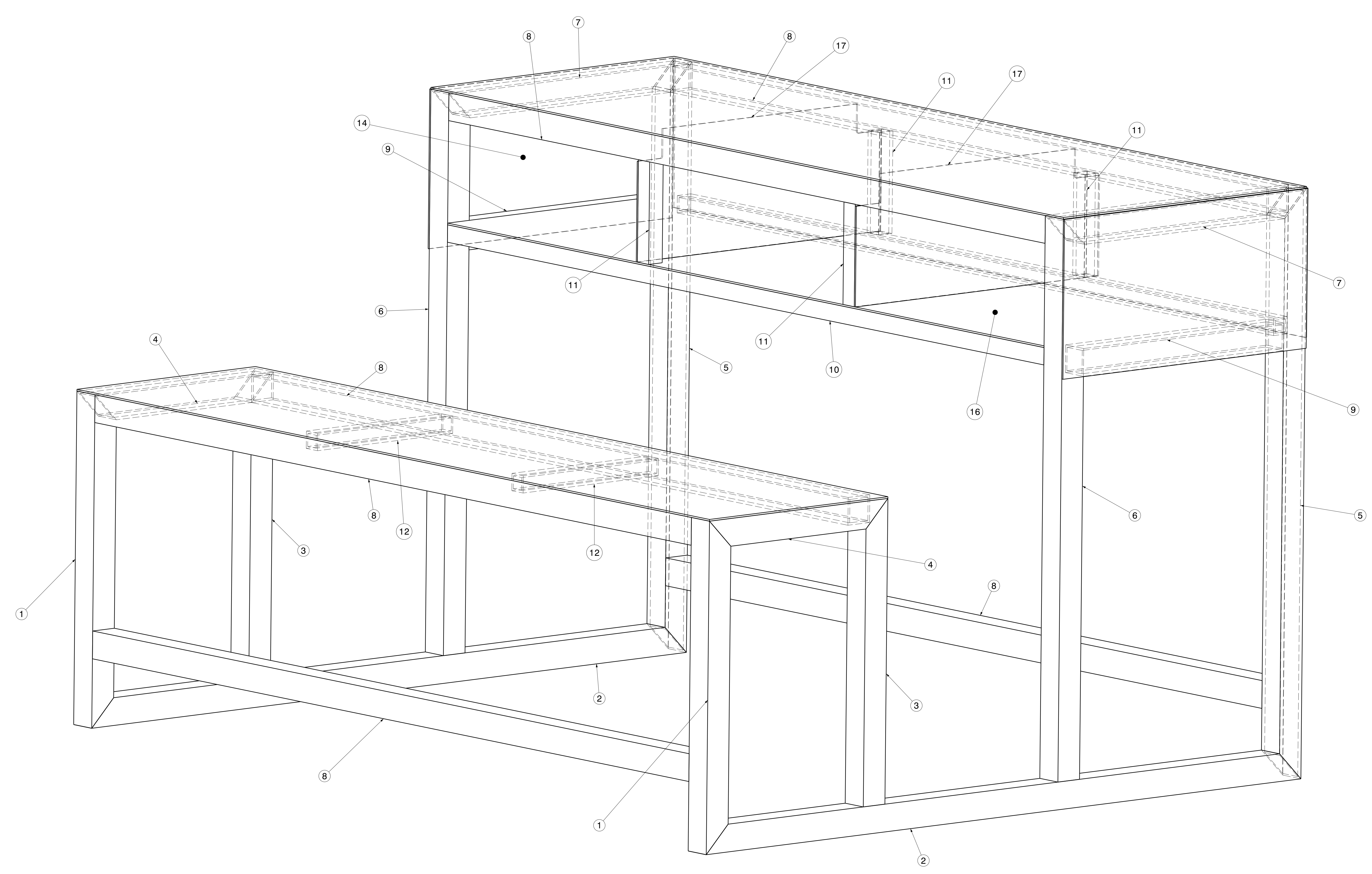


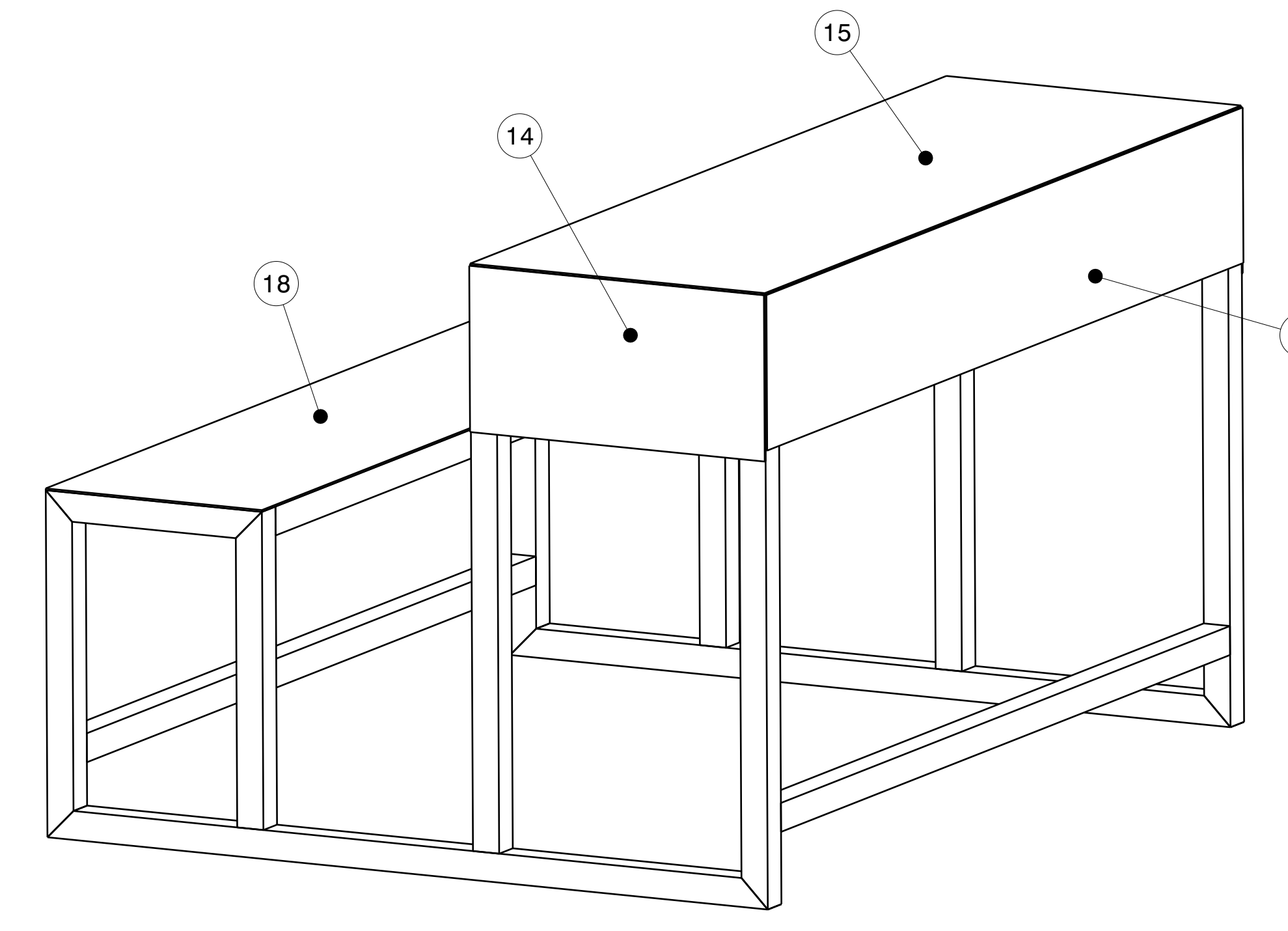
REV/DATE	DESCRIPTION
00 / 24/04/2020	INITIAL REVISION

NOTES:

1. (⊥) ALL VERTICAL SUPPORTS ARE PERPENDICULAR.
2. □ FLATNESS OF .5MM IS APPLIED BY DEFAULT.
3. ∇ WELD BEAD OF 2MM RADIUS IS FOLLOWED.
4. ∇∇ SURFACE FINISH MEDIUM TO SMOOTH IS USED.
5. ALL TUBES ARE AS PER APL APOLLO STANDARD. CHANGES MAY EFFECT THE LOAD CAPACITY.
6. ALL HORIZONTAL AND VERTICAL TUBES ARE PERPENDICULAR TO EACH OTHER WITH ±1 DEG.
7. FINE WELDING IS REQUIRED AS PER MENTIONED DETAILS AND FINISHING.
8. HIGHER CURRENT WELDING MAY AFFECT THE BRITTLENESS OF MATERIAL WHICH LATER MAY RAISE TO WEAKENING OF STRUCTURE.
9. FABRICATORS ARE ALLOWED TO USE FITTINGS/FRAMES/SUPPORTS AS NEEDED AND THE SAME MUST BE COMMUNICATED BACK TO ENGINEERING TEAM.
10. LENGTH OF ALL LONGITUDINAL FRAMES ARE FOR REFERENCE ONLY AND SUBJECTED TO CHANGE PER REQUIREMENT.



Isometric view-1



Isometric view-2

ITEM NO.	PART NUMBER	DESCRIPTION	QTY.	Wt (Kg)/Each
18	Plate5 -BOP	1400 X 330, T=2.5	1	9.1
17	Plate4 -BOP	450 X 187.5, T=2.5	2	1.6
16	Plate3 -BOP	1320 X 450, T=2.5	1	11.7
15	Plate2 -BOP	1400 X 450, T=2.5	1	12.4
14	Plate1 -BOP	450 X 230, T=2.5	2	2.0
13	Plate -BOP	1400 X 215, T=2.5	1	5.9
12	Sq Tube School bench3 Frame 12	25 X 25 X 3.2 X 250	2	0.5
11	Sq Tube School bench3 Frame 11	25 X 25 X 3.2 X 147.5	4	0.3
10	Sq Tube School bench3 Frame 10	25 X 25 X 3.2 X 1320	2	2.9
9	Sq Tube School bench3 Frame 9	40 X 40 X 3.2 X 370	2	1.4
8	Sq Tube School bench3 Frame 8	40 X 40 X 3.2 X 1320	6	4.9
7	Sq Tube School bench3 Frame 7	40 X 40 X 3.2 X 450	2	1.5
6	Sq Tube School bench3 Frame 6	40 X 40 X 3.2 X 810	2	2.9
5	Sq Tube School bench3 Frame 5	40 X 40 X 3.2 X 850	2	3
4	Sq Tube School bench3 Frame 4	40 X 40 X 3.2 X 330	2	1.1
3	Sq Tube School bench3 Frame 3	40 X 40 X 3.2 X 440	2	1.6
2	Sq Tube School bench3 Frame 2	40 X 40 X 3.2 X 1100	2	3.9
1	Sq Tube School bench3 Frame 1	40 X 40 X 3.2 X 480	2	1.6

This drawing is our property. It can't be reproduced or communicated without our written agreement.

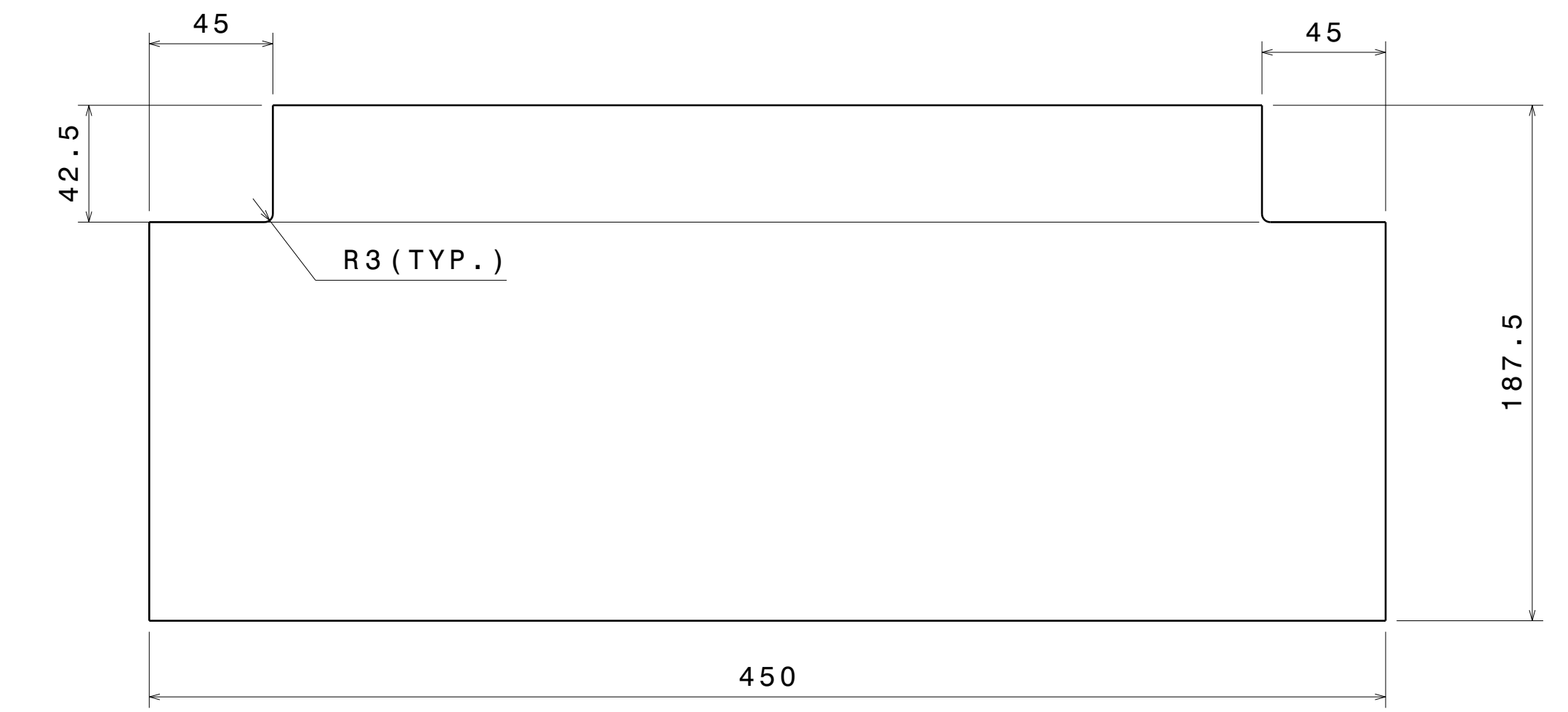
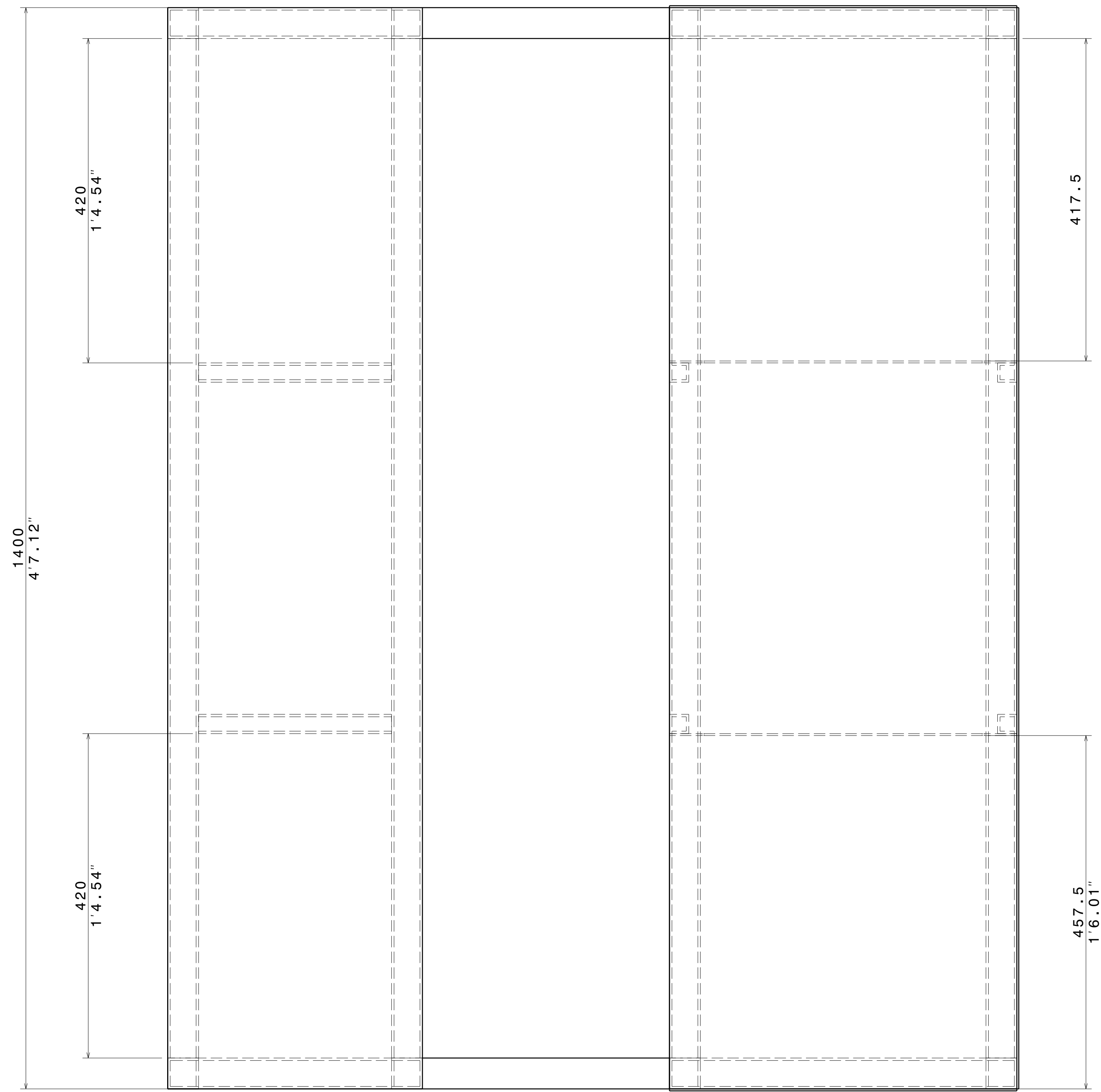
APL APOLLO TUBES LTD.

DRAWING TITLE: **SCHOOL BENCH6**

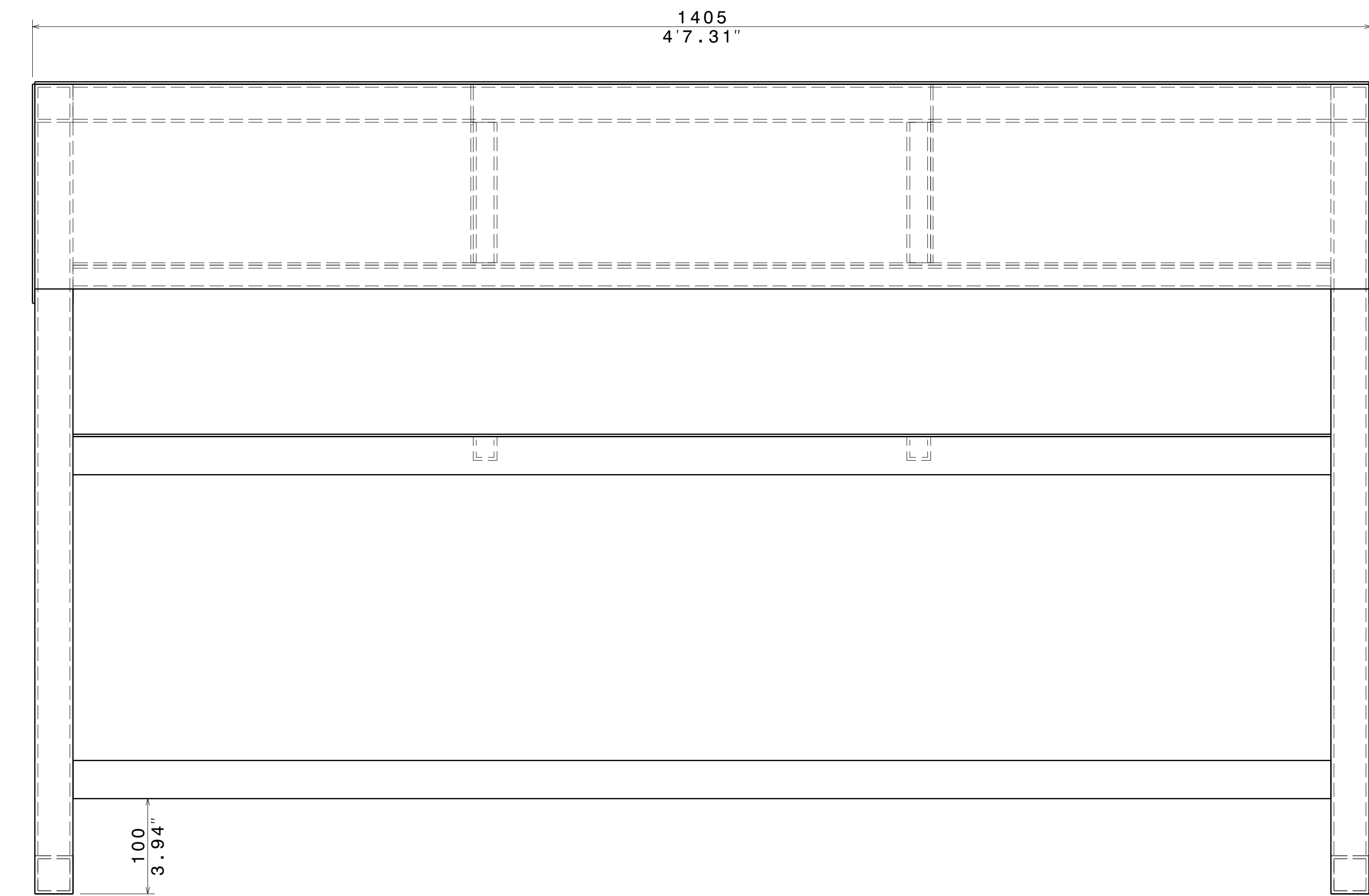
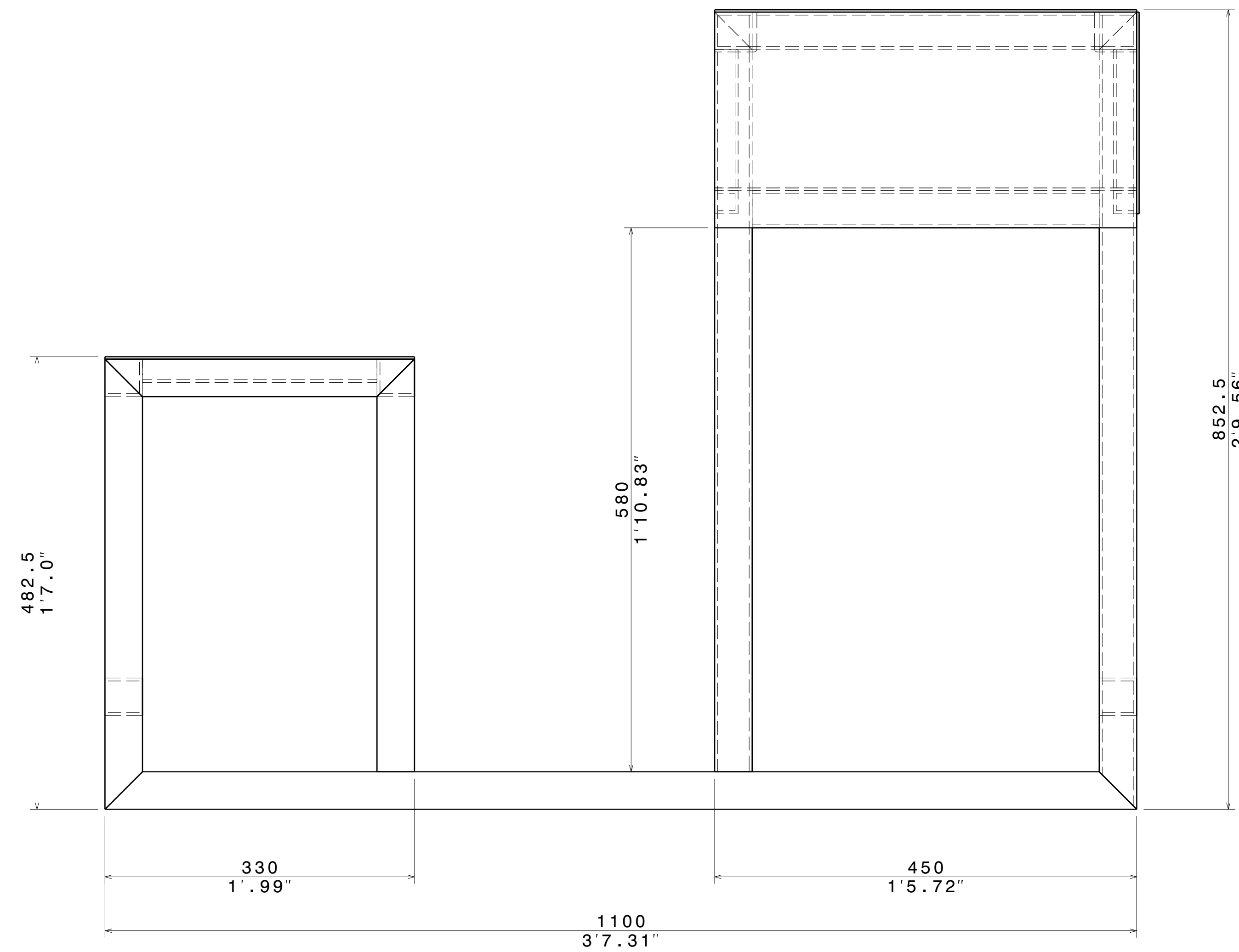
DRAWN BY: SB	DATE: 24/04/2020	SIZE: A0	DRAWING NUMBER: P2P SCHOOL BENCH6	REV: 00
CHECKED BY: P2P Analysis & Solutions	DATE: 24/04/2020	SCALE: As Indicated	WEIGHT (kg): 0kg	SHEET 1 OF 5
DESIGNED BY: P2P Analysis & Solutions	DATE: 24/04/2020			

UNLESS OTHERWISE SPECIFIED DIMENSION ARE IN MM VIEWS: THIRD ANGLE PROJECTION

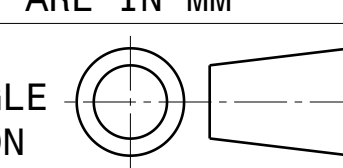
REV	DATE	DESCRIPTION
00	24/04/2020	INITIAL REVISION



Detail (Plate 4) Item-17
(BOP)




UNLESS OTHERWISE SPECIFIED DIMENSION ARE IN MM
VIEWS: THIRD ANGLE PROJECTION

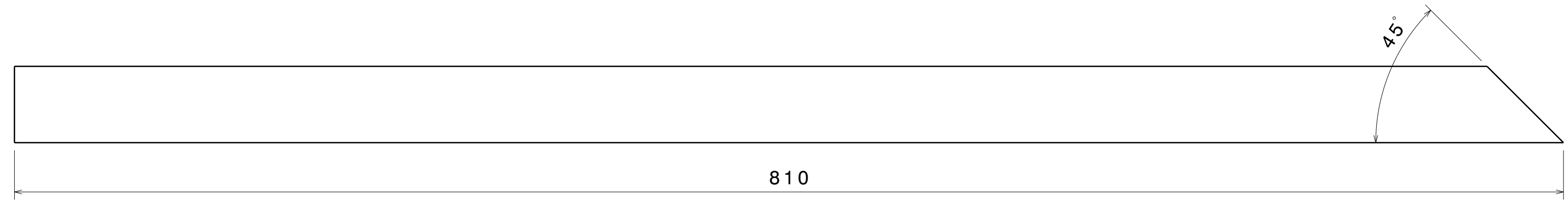


This drawing is our property. It can't be reproduced or communicated without our written agreement.

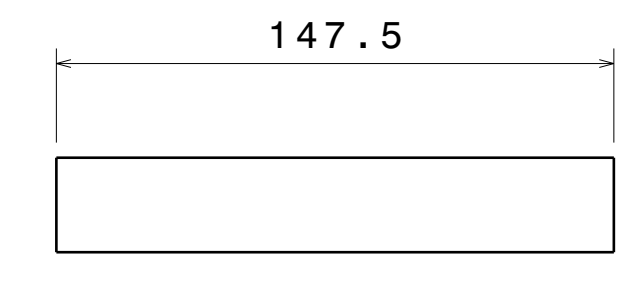
DRAWN BY	DATE
SB	24/04/2020
CHECKED BY	DATE
P2P Analysis & Solutions	24/04/2020
DESIGNED BY	DATE
P2P Analysis & Solutions	24/04/2020

APL APOLLO TUBES LTD. 	
DRAWING TITLE	
SCHOOL BENCH6	
SIZE	DRAWING NUMBER
A0	P2P SCHOOL BENCH6
SCALE	WEIGHT (kg)
NONE	XXX
SHEET 2 OF 5	

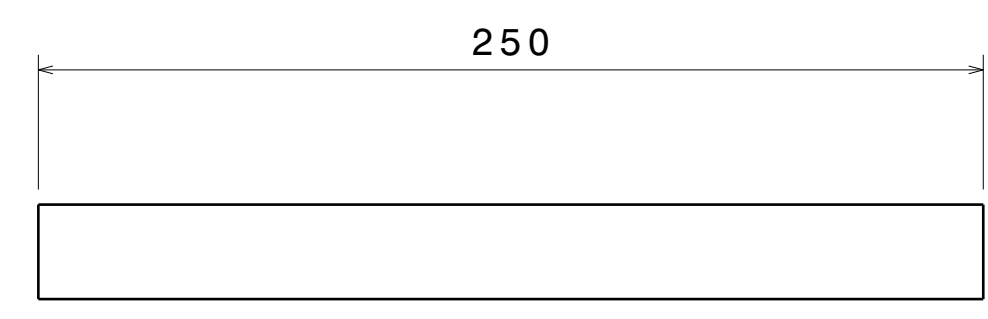
REV	DATE	DESCRIPTION
00	24/04/2020	INITIAL REVISION



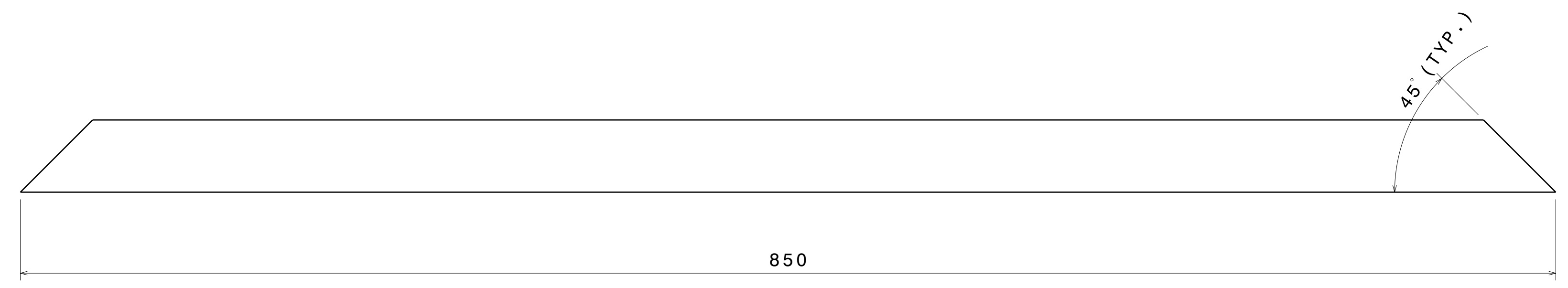
ITEM 6 DETAILS
Sq Tube School bench3 Frame 6



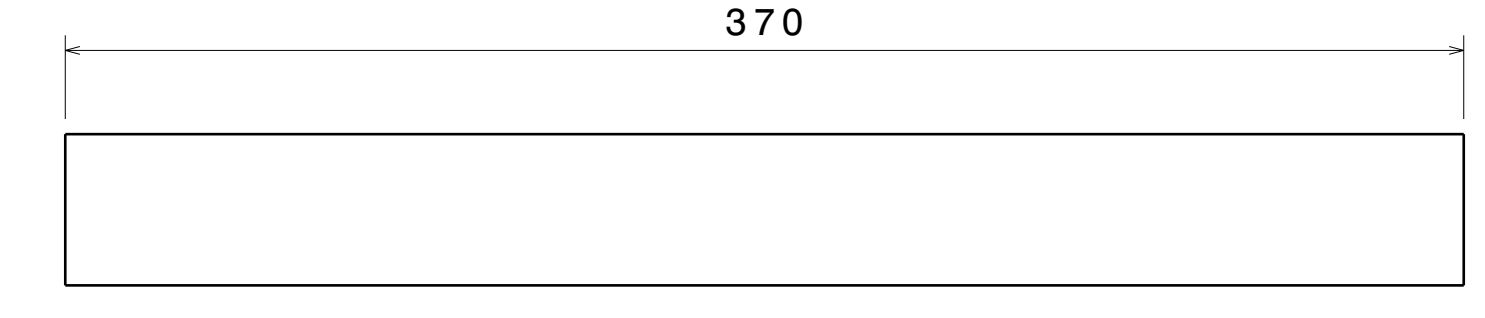
ITEM 11 DETAILS
Sq Tube School bench3 Frame 11



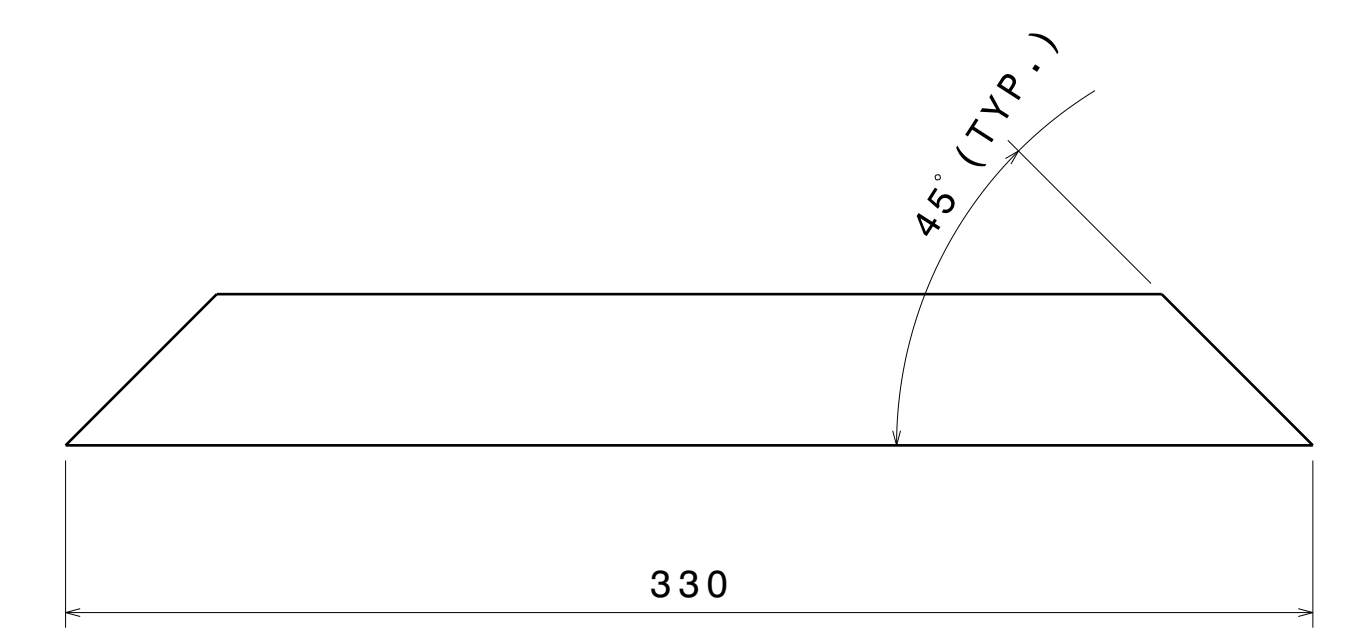
ITEM 12 DETAILS
Sq Tube School bench3 Frame 12



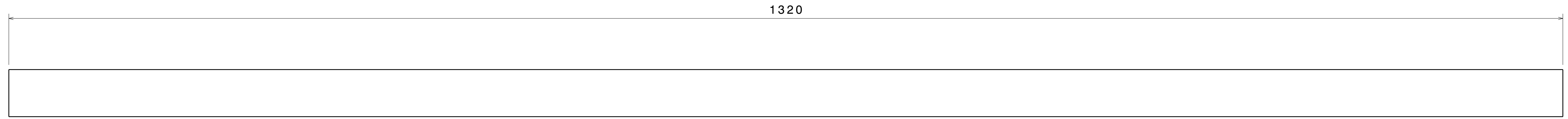
ITEM 5 DETAILS
Sq Tube School bench3 Frame 5



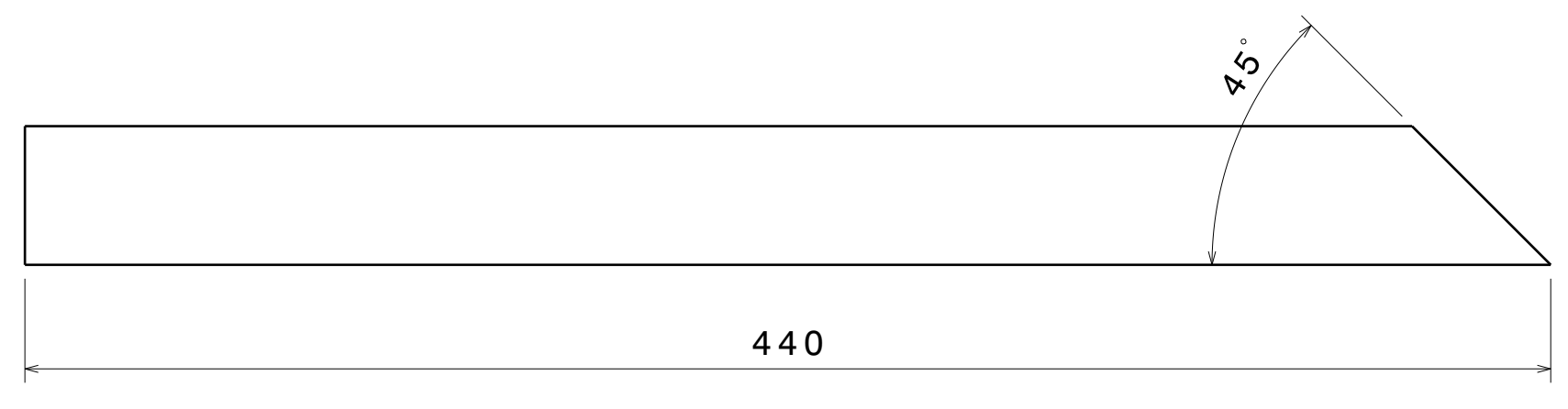
ITEM 9 DETAILS
Sq Tube School bench3 Frame 9



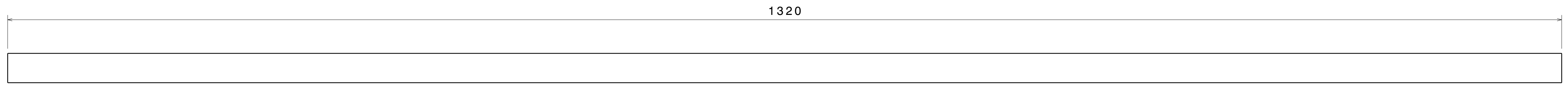
ITEM 4 DETAILS
Sq Tube School bench3 Frame 4



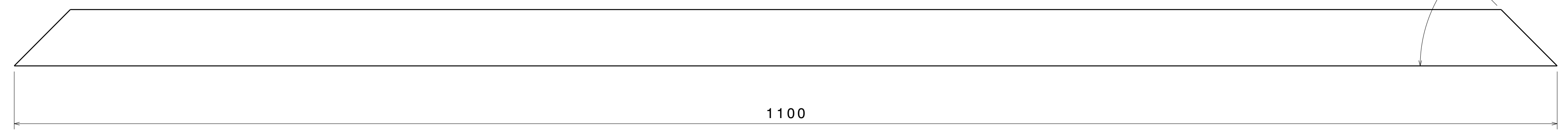
ITEM 8 DETAILS
Sq Tube School bench3 Frame 8



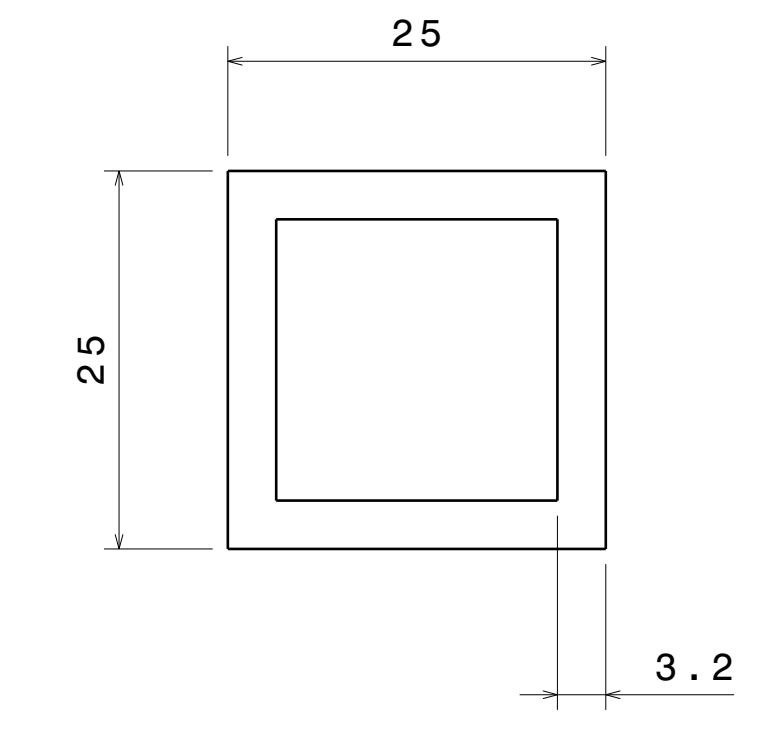
ITEM 3 DETAILS
Sq Tube School bench3 Frame 3



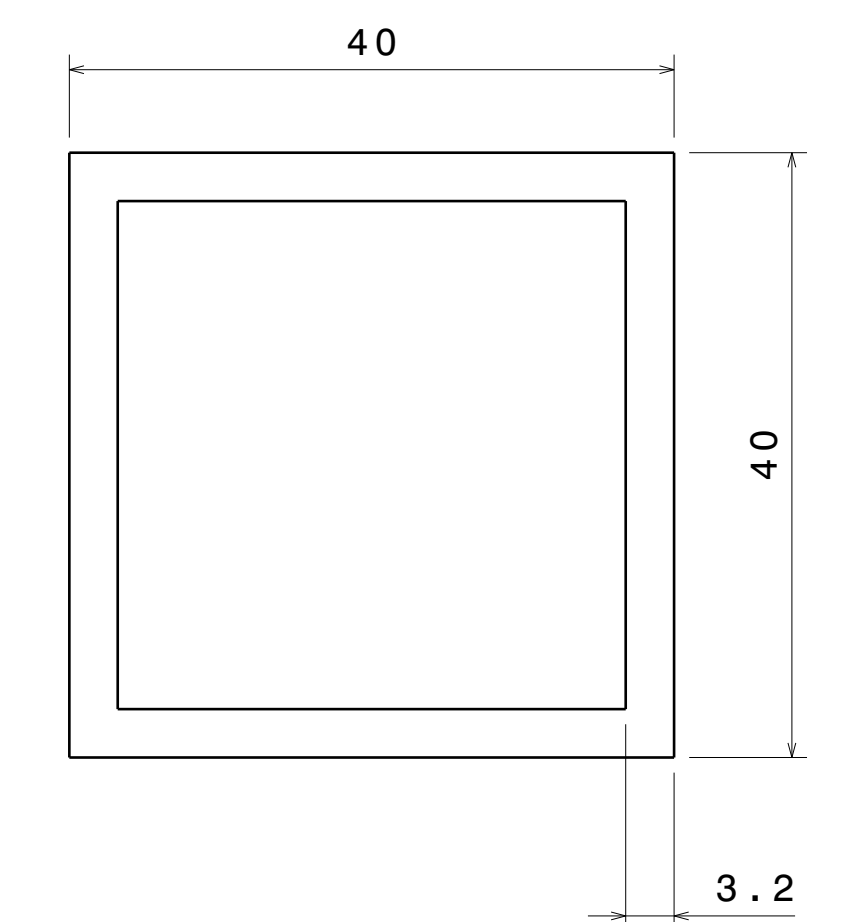
ITEM 10 DETAILS
Sq Tube School bench3 Frame 10



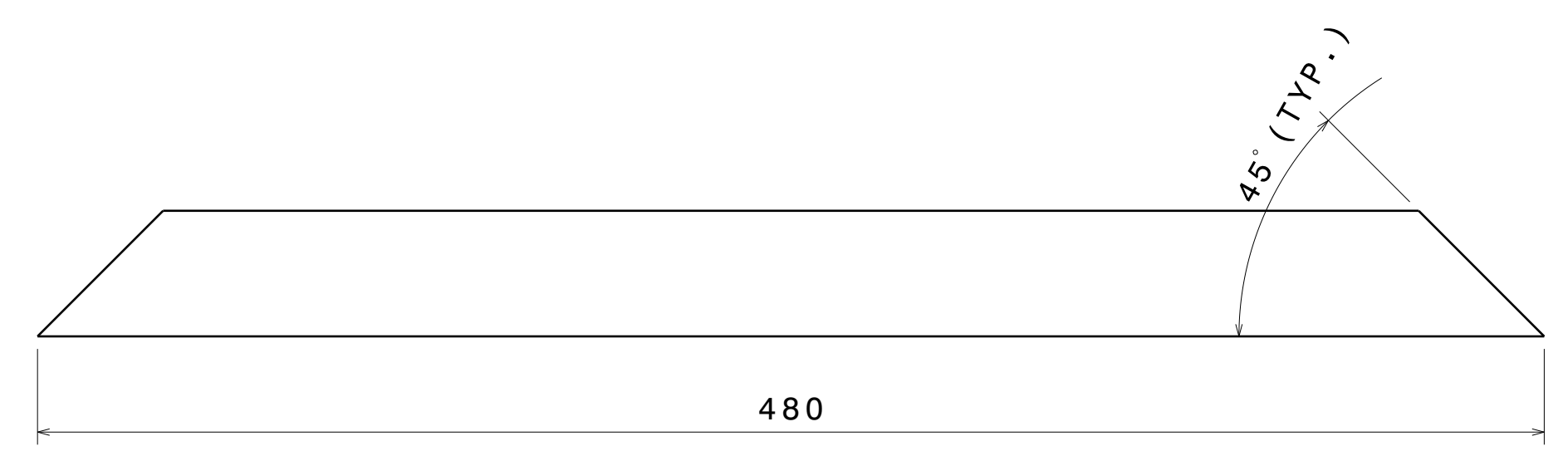
ITEM 2 DETAILS
Sq Tube School bench3 Frame 2



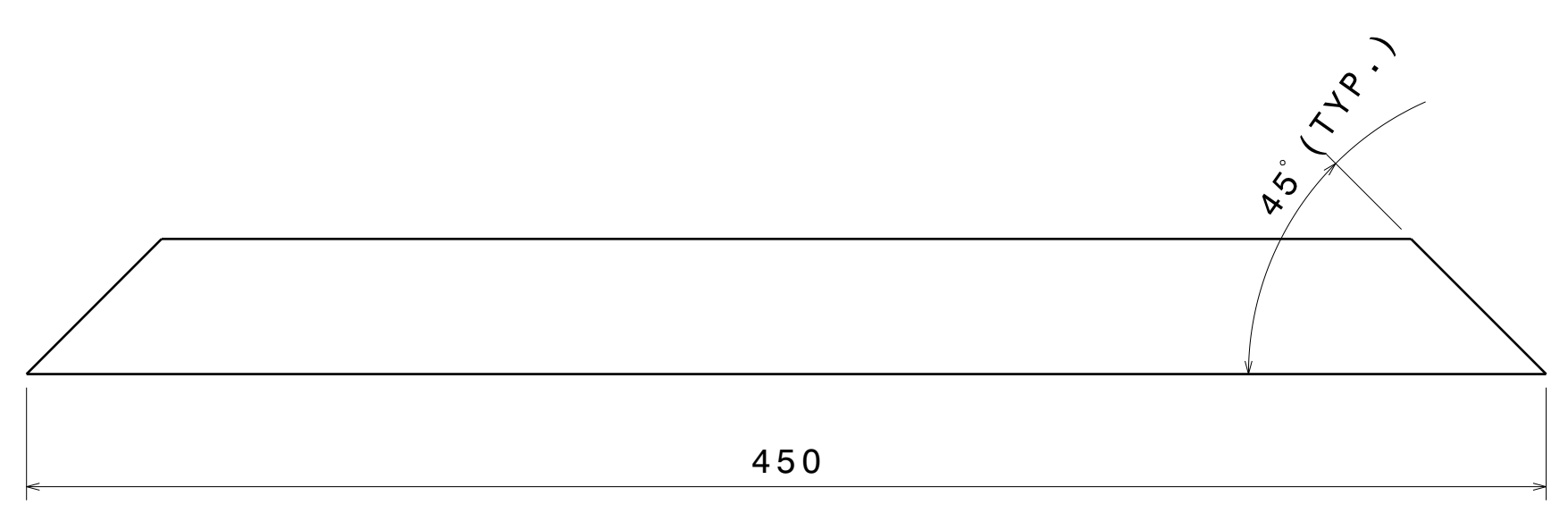
Section Detail of ITEM 10, 11 & 12
Scale: 2:1



Section Detail of ITEM 1, 2, 3, 4, 5, 6, 7, 8 & 9
Scale: 2:1



ITEM 1 DETAILS
Sq Tube School bench3 Frame 1



ITEM 7 DETAILS
Sq Tube School bench3 Frame 7

This drawing is our property. It can't be reproduced or communicated without our written agreement.

APL APOLLO TUBES LTD.

DRAWN BY	DATE
SB	24/04/2020
CHECKED BY	DATE
P2P Analysis & Solutions	24/04/2020
DESIGNED BY	DATE
P2P Analysis & Solutions	24/04/2020

DRAWING TITLE		REV
SCHOOL BENCH6		00
SIZE	DRAWING NUMBER	
A0	P2P SCHOOL BENCH6	
SCALE	WEIGHT (kg)	XXX
NONE		

UNLESS OTHERWISE SPECIFIED DIMENSION ARE IN MM VIEWS: THIRD ANGLE PROJECTION